

2009 BUELL® PARTS CATALOG



BUELL® 1125 MODELS

OFFICIAL FACTORY CATALOG - 99572-09Y

READER COMMENTS

The Harley-Davidson Service Communications Department maintains a continuous effort to improve the quality and usefulness of its publications. To do this effectively, we need user feedback — your critical evaluation of this manual.

Please comment on the completeness, accuracy, organization, usability, and readability of this manual.

Please list the page, item, and part number(s) of any errors you find in this manual.

Please tell us how we can improve this manual.

Occupation:

Name:

Dealership:

Street:

Department:

City:

State:

Zip:

2009 Buell 1125 Model Parts Catalog (99572-09Y)

Please clip out and mail to:
Service Communications Department
Harley-Davidson Motor Company
P.O. Box 653
Milwaukee, WI USA 53201

CMI-1.5M-07/08

Cut Here

Cut Here

PLEASE ADD ANY OTHER COMMENTS HERE

GENERAL INFORMATION

2009 BUELL 1125 MODEL PARTS CATALOG

THIS IS NOT AN ASSEMBLY MANUAL AND SHOULD NOT BE USED AS SUCH

About This Manual

This Parts Catalog has been prepared to make it easier for you to order parts for the 2009 Buell 1125 model motorcycles. The numbers shown in the illustrations correspond to the numbers in the "INDEX NO." column in the parts lists. Please consult the illustrations when ordering parts to make sure you receive all the required parts. Take note that the number in parenthesis following the part description is the quantity of that part needed for complete assembly; if there is no number in parenthesis, only one is used. Prices of parts in this catalog are published separately.

The following instructions should be followed carefully when ordering parts:

- When a part is revised during the model year the early version part will be marked in the MODELS column with 'E' followed by the model year in which the change occurred. This indicates the part was used early in the model year. The latest version of the part will be marked in the MODELS column with 'L' followed by the model year in which the change occurred. This indicates the part was used late in the model year.
- Be sure to specify the correct part number for each item. The part numbers appear under the "PART NO." column in the parts lists.
- Orders may be placed via your computer for all parts. Please review your system documentation for details on placing orders electronically. All non-warranty replacement crankcase orders require return of the complete left crankcase half with V.I.N.. All non-warranty replacement frame orders require return of the steering neck with V.I.N.. Non-compliance will result in a fine. See non-warranty frame and crankcase policy or contact your SPOC team for details.
- The sale or use of these parts or accessories does not grant the purchaser a license or other right under any Buell Motorcycle Company patent.

To the best knowledge of Buell Motorcycle Company, the material contained herein is accurate as of the date this publication was approved for printing. Buell Motorcycle Company reserves the right to change specifications, equipment, or designs at any time without notice and without incurring obligation.

Vehicle Identification Number (V.I.N.)

See Figure 1 on the next page. The full 17-digit serial, or V.I.N., is stamped on the right front of the frame near the steering head. An abbreviated V.I.N. or Motor Identification Number is stamped at the base of the rear cylinder on the right side of the vehicle.

Sample V.I.N. as it appears on the steering head - **4MZHL04D393B00456**

Sample abbreviated V.I.N. as it appears on the motor - **HL049B00456**

Always give the full 17-digit V.I.N. when ordering parts or making any inquiry about your motorcycle.

1
2
3
4
5
6
7
8
9

4MZ HL 04 D 3 9 3 B 00456

Figure 1. Typical V.I.N.: 2009 Buell 1125 Models

Table 1. Buell V.I.N. Breakdown: 2009 Models

POSITION	DESCRIPTION	POSSIBLE VALUES
1	Market designation (WMI code)	4MZ = Buell vehicles originally manufactured for sale within the United States 5MZ = Buell vehicles originally manufactured for sale outside the United States 95Z = Buell vehicles originally manufactured for sale in Brazil at Manaus CKD plant
2	Motorcycle type code	KP=Blast® AX=Firebolt® JX=Lightning® Long KX=Lightning® CityX WX=Lightning® Scg DB=Ulysses™ Police XB12XP DX=Ulysses™ XB12X FX=Ulysses™ XB12XT HL=1125R YL=1125CR
3	Engine type	01=492 cc 02=984 cc Thunderstorm® 03=1203 cc Thunderstorm® 04=1125 cc Helicon™ 06=1125 cc Helicon™ (105 HP, France)
4	Market configuration	A=Australia B=Brazil Z=Brazil CKD L=California N=Canada D=Domestic E=England R=Europe J=Japan
5	V.I.N. check digit	Can be 0-9 or X
6	Model year	9=2009
7	Assembly plant	3=East Troy, WI U.S.A. M=H-D Brazil-Manaus, Brazil (CKD)

ALPHABETICAL INDEX

PART DESCRIPTION	PAGE	PART DESCRIPTION	PAGE
AIR CLEANER.....	29	HARNES SUPPORT.....	117
ALTERNATOR & REGULATOR.....	31	HEADLIGHTS - 1125CR.....	105
AXLE, FRONT.....	61	HEADLIGHTS - 1125R.....	103
AXLE, REAR.....	63	HEAT DEFLECTOR.....	87
BALANCE DRIVE.....	19	HORN.....	77
BATTERY.....	101	IDLER PULLEY.....	49
BELT & SPROCKET.....	49	IGNITION COVER.....	47
BELT GUARD.....	83	IGNITION SWITCH.....	121
BRAKE CALIPER, FRONT.....	57	INSTRUMENT CLUSTER - 1125CR.....	111
BRAKE CALIPER, REAR.....	59	INSTRUMENT CLUSTER - 1125R.....	109
BRAKE LINE, FRONT.....	55	INTAKE COVER & FRONT FENDER.....	87
BRAKE LINE, REAR.....	59	INTAKE SOLENOID ASSEMBLY.....	29
BRAKE ROTOR, FRONT.....	61	LABELS.....	123
BRAKE ROTOR, REAR.....	63	LICENSE PLATE BRACKET.....	107
CAM DRIVE SYSTEM.....	13	LOCK SET, COMPLETE.....	121
CAMSHAFTS.....	9	MAIN WIRE HARNESS.....	113
CHAIN, CAMSHAFT.....	13	MAIN WIRE HARNESS (CONTINUED).....	115
CLUTCH.....	43	MASTER CYLINDER, FRONT.....	55
CLUTCH COVER.....	45	MASTER CYLINDER, REAR.....	59
CLUTCH LEVER.....	81	MIRRORS.....	107
CLUTCH LINE.....	81	MUFFLER.....	99
COIL, STICK.....	33	OIL COOLER.....	97
CONNECTING ROD.....	19	OIL FILTER & LINES.....	97
COOLANT HOSES.....	51	OIL NOZZLE ASSEMBLY.....	23
COOLING SYSTEM BODYWORK.....	91	OIL PUMP.....	25
CRANKCASE.....	23	OIL STRAINER.....	25
CRANKSHAFT & BALANCE DRIVE.....	19	OVERFLOW BOTTLE.....	53
CYLINDER & PISTON.....	21	PISTON.....	21
CYLINDER HEAD, CAMSHAFTS & VALVES.....	9	PRIMARY DRIVE ASSEMBLY.....	43
CYLINDER HEAD, CAMSHAFTS & VALVES (CONTINUED).....	11	PUMP, FUEL.....	95
DECALS.....	93	RADIATOR OUTER SHROUD.....	91
ELECTRICAL CONNECTORS.....	121	RADIATORS & OVERFLOW BOTTLE.....	53
ELECTRONIC CONTROL MODULE & COIL.....	33	REAR BRAKE CONTROL & CALIPER.....	59
ENGINE ASSEMBLY.....	7	REAR FENDER & BELT GUARDS.....	83
ENGINE MOUNTS.....	77	REAR SHOCK ABSORBER.....	71
ENGINE SENSORS & SWITCHES.....	35	REAR WHEEL.....	63
EVAPORATIVE EMISSIONS COMPONENTS.....	125	REFLECTORS, FRONT.....	69
EXHAUST SYSTEM.....	99	REFLECTORS, REAR.....	107
FAN, COOLING.....	91	SEAT, TAIL SECTION & TRUNK.....	85
FLYWHEEL.....	37	SEAT LOCK.....	85
FOOTPEG.....	75	SENSOR, OXYGEN.....	99
FORK, FRONT.....	69	SENSOR, THROTTLE POSITION.....	27
FRAME.....	73	SENSORS.....	121
FRAME (CONTINUED).....	75	SHIFTER.....	41
FRONT BRAKE CALIPER.....	57	SHOCK ABSORBER, REAR.....	71
FRONT BRAKE CONTROL.....	55	SIDESTAND.....	73
FRONT FAIRING & WINDSCREEN.....	89	SOLENOID.....	37
FRONT FENDER.....	87	SPARK PLUG.....	33
FRONT FORK.....	69	SPROCKET, FRONT.....	39
FRONT WHEEL.....	61	SPROCKET, REAR.....	49
FUEL INJECTOR.....	27	SPROCKET COVER, ENGINE.....	83
FUEL PUMP.....	95	STARTER & SOLENOID.....	37
FUEL TANK & PUMP.....	95	STATOR ASSEMBLY.....	31
FUSES.....	121	STEERING HEAD - 1125CR.....	67
GASKET KIT, ENGINE OVERHAUL.....	21	STEERING HEAD - 1125R.....	65
GEAR SHIFTER.....	41	SWINGARM.....	79
HAND CONTROLS.....	81	SWITCH, BRAKE LIGHT.....	59
HANDLEBARS & HAND CONTROLS.....	81	SWITCHES, SENSORS & ELECTRICAL CONNECTORS.....	121

ALPHABETICAL INDEX

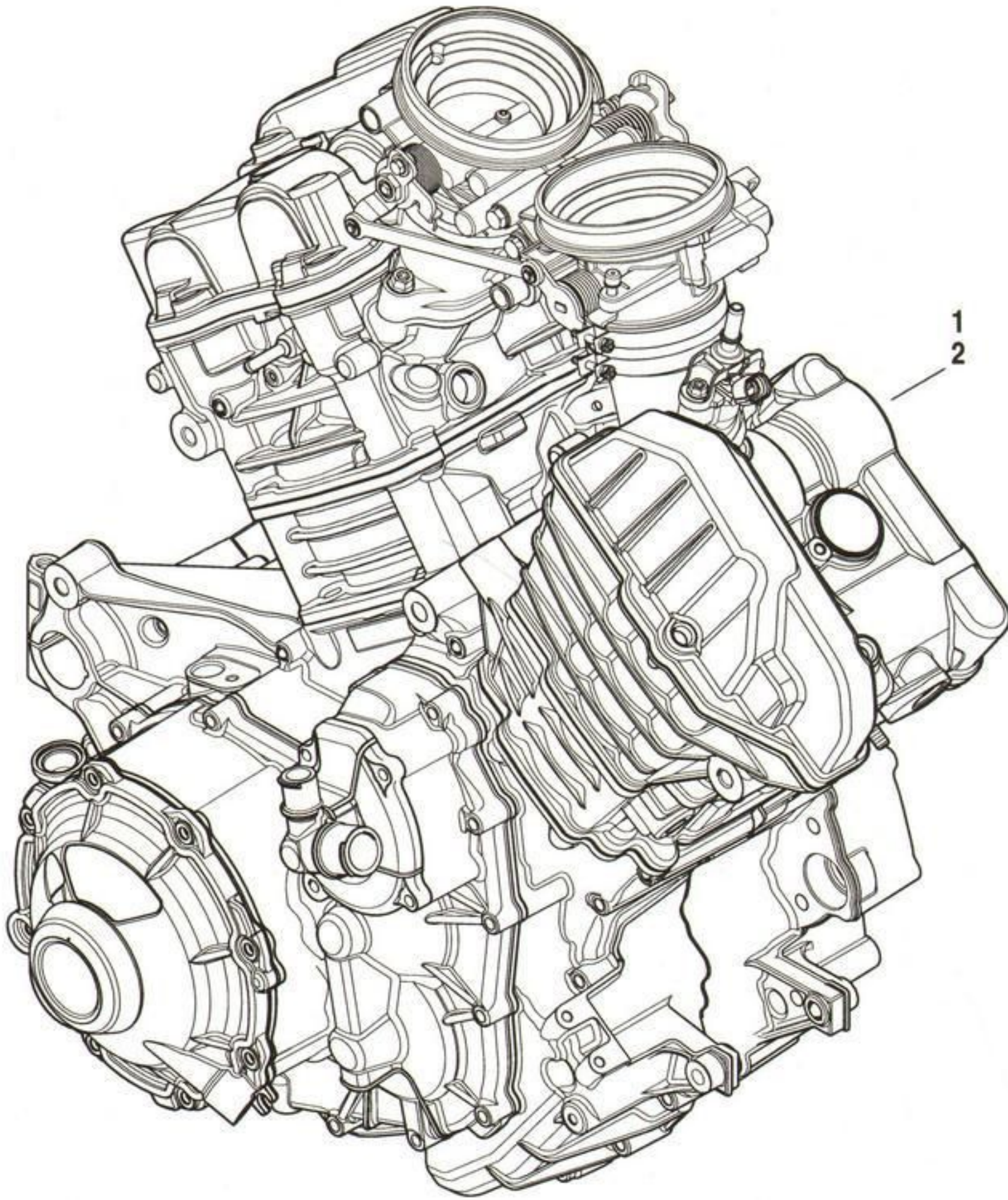
PART DESCRIPTION	PAGE
TAIL LAMP & TURN SIGNALS.....	107
TAIL SECTION.....	85
THERMOSTAT & HOUSING.....	51
THROTTLE BODY.....	27
TIRE, FRONT.....	61
TIRE, REAR.....	63
TOOL KIT.....	85
TRANSMISSION GEARS.....	39
TRIPLE CLAMP - 1125CR.....	67
TRIPLE CLAMP - 1125R.....	65
TRUNK.....	85
TURN SIGNALS.....	107
VALVE COVERS.....	17
VALVES & GUIDES.....	9
VOLTAGE REGULATOR.....	31

PART DESCRIPTION	PAGE
WATER PUMP.....	15
WHEEL, FRONT.....	61
WHEEL, REAR.....	63
WINDSCREEN.....	89
WIRE HARNESS, ENGINE.....	117
WIRE HARNESS, ENGINE (CONTINUED).....	119
WIRE HARNESS, MAIN.....	113
WIRE HARNESS, MAIN (CONTINUED).....	115

REFERENCE MATERIAL

HARDWARE LIST	126
NEW PARTS LIST	127
NUMERICAL INDEX	129

ENGINE ASSEMBLY



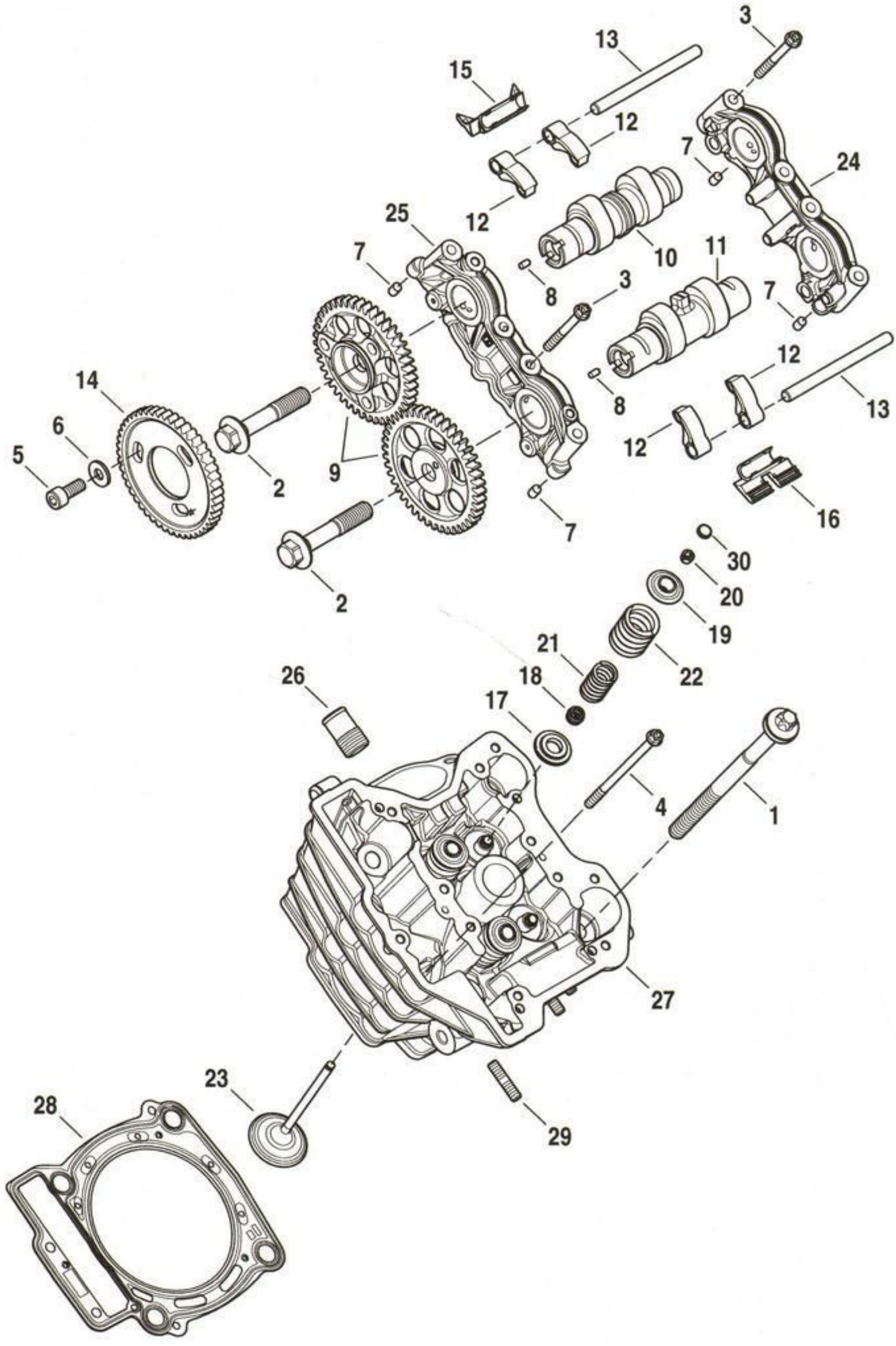
INDEX NO.	PART NO.	DESCRIPTION	MODEL(S)
1	T1120.2AM	ENGINE ASSEMBLY, w/ throttle body	HL/YL
INTERNATIONAL MODELS ONLY			
2	T1130.2AM	ENGINE ASSEMBLY, w/ throttle body (105 HDI)	HL/YL

2009 MODEL IDENTIFICATION CODES

HL = 1125R

YL = 1125CR

CYLINDER HEAD, CAMSHAFTS & VALVES



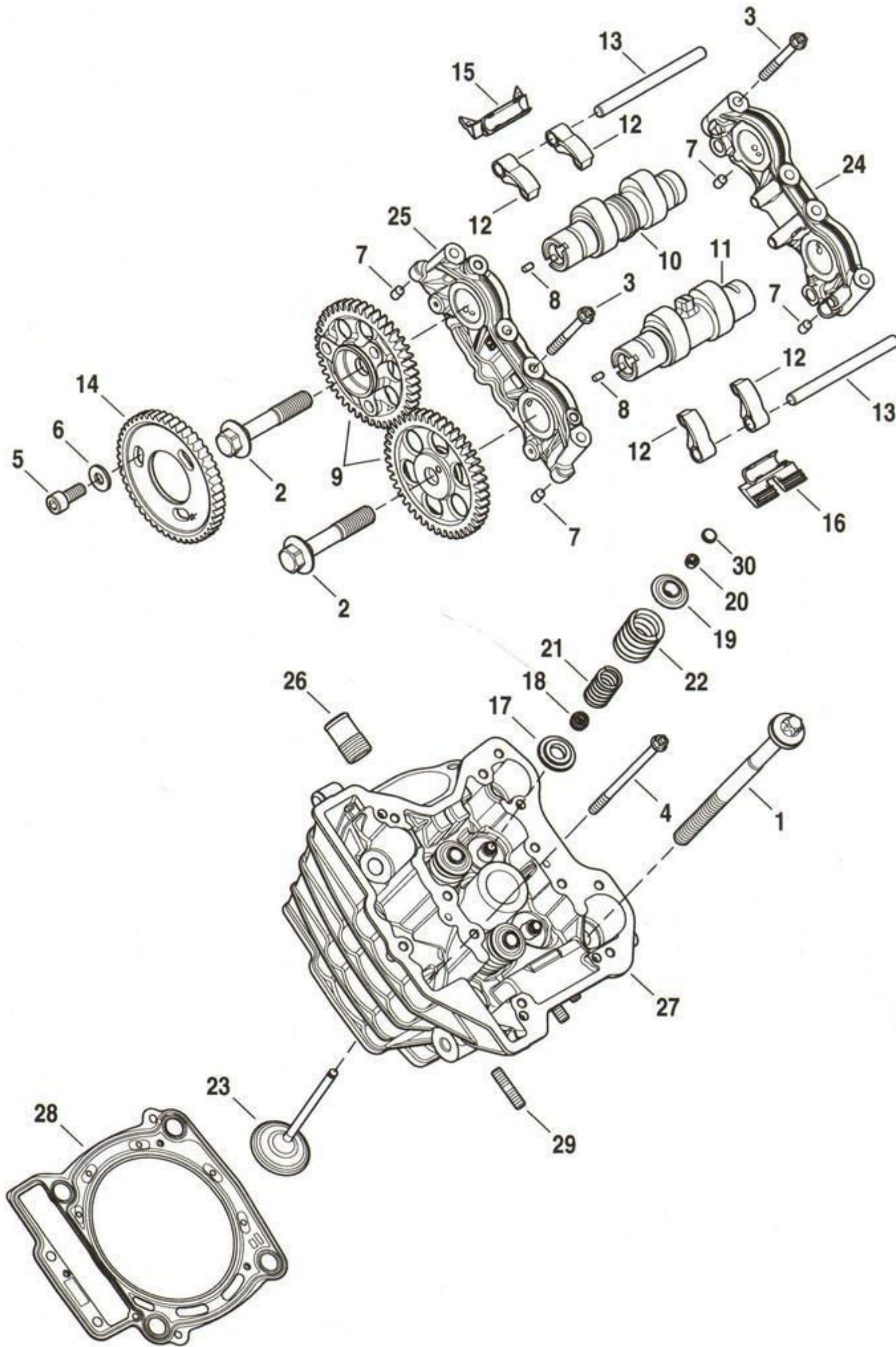
INDEX NO.	PART NO.	DESCRIPTION	MODEL(S)
1	CA0035.1AMA	SCREW (4)	HL/YL
2	CA0036.1AM	SCREW (2)	HL/YL
3	CA0067.1AM	SCREW (8)	HL/YL
4	CA0069.1AM	SCREW (2)	HL/YL
5	CA0082.1AM	SCREW (3)	HL/YL
6	CB0029.1AM	WASHER (3)	HL/YL
7	CC0008.1AM	NEEDLE PIN (4)	HL/YL
8	CC0009.1AM	NEEDLE PIN (2)	HL/YL
9	F0040.1AM	GEAR SET	HL/YL
10	F0050.1AMA	CAMSHAFT, intake, front cylinder	HL/YL
	F0051.1AMA	CAMSHAFT, intake, rear cylinder	HL/YL
11	F0052.1AMA	CAMSHAFT, exhaust, front cylinder	HL/YL
	F0053.1AMA	CAMSHAFT, exhaust, rear cylinder	HL/YL
12	F0070.1AMB	SWING ARM (4)	HL/YL
13	F0080.1AM	SHAFT, swing arm (2)	HL/YL
14	F0085.1AM	SPROCKET, 48T	HL/YL
15	F0086.1AM	SPACER, intake	HL/YL
16	F0087.1AM	SPACER, exhaust	HL/YL
17	F0100.1AMA	SUPPORT, valve spring (4)	HL/YL
18	F0101.1AM	SEAL, valve stem (4)	HL/YL
19	F0121.1AMA	RETAINER, valve spring (4)	HL/YL
20	F0122.1AM	VALVE RETAINER (8)	HL/YL
21	F0123.1AM	VALVE SPRING (4)	HL/YL
22	F0124.1AM	VALVE SPRING (4)	HL/YL
23	F0140.1AM	VALVE, intake (2)	HL/YL
	F0141.1AM	VALVE, exhaust (2)	HL/YL
24	F1060.1AM	CAMSHAFT BRACKET KIT, front cylinder, w/ CC0008.1AM	HL/YL
	F1062.1AM	CAMSHAFT BRACKET KIT, rear cylinder, w/ CC0008.1AM	HL/YL
25	F1061.1AM	CAMSHAFT BRACKET KIT, front cylinder, w/ CC0008.1AM	HL/YL
	F1063.1AM	CAMSHAFT BRACKET KIT, rear cylinder, w/ CC0008.1AM	HL/YL
26	Q0420.1AM	TUBE	HL/YL
27	V0001.1AMA	CYLINDER HEAD ASSEMBLY, front, w/ Q0420.1AM & V0170.1AM	HL/YL
	V0002.1AMA	CYLINDER HEAD ASSEMBLY, rear, w/ Q0420.1AM & V0170.1AM	HL/YL
28	V0026.1AM	GASKET, cylinder head	HL/YL
29	V0170.1AM	STUD (4)	HL/YL

2009 MODEL IDENTIFICATION CODES

HL = 1125R

YL = 1125CR

CYLINDER HEAD, CAMSHAFTS & VALVES



CYLINDER HEAD, CAMSHAFTS & VALVES (CONTINUED)

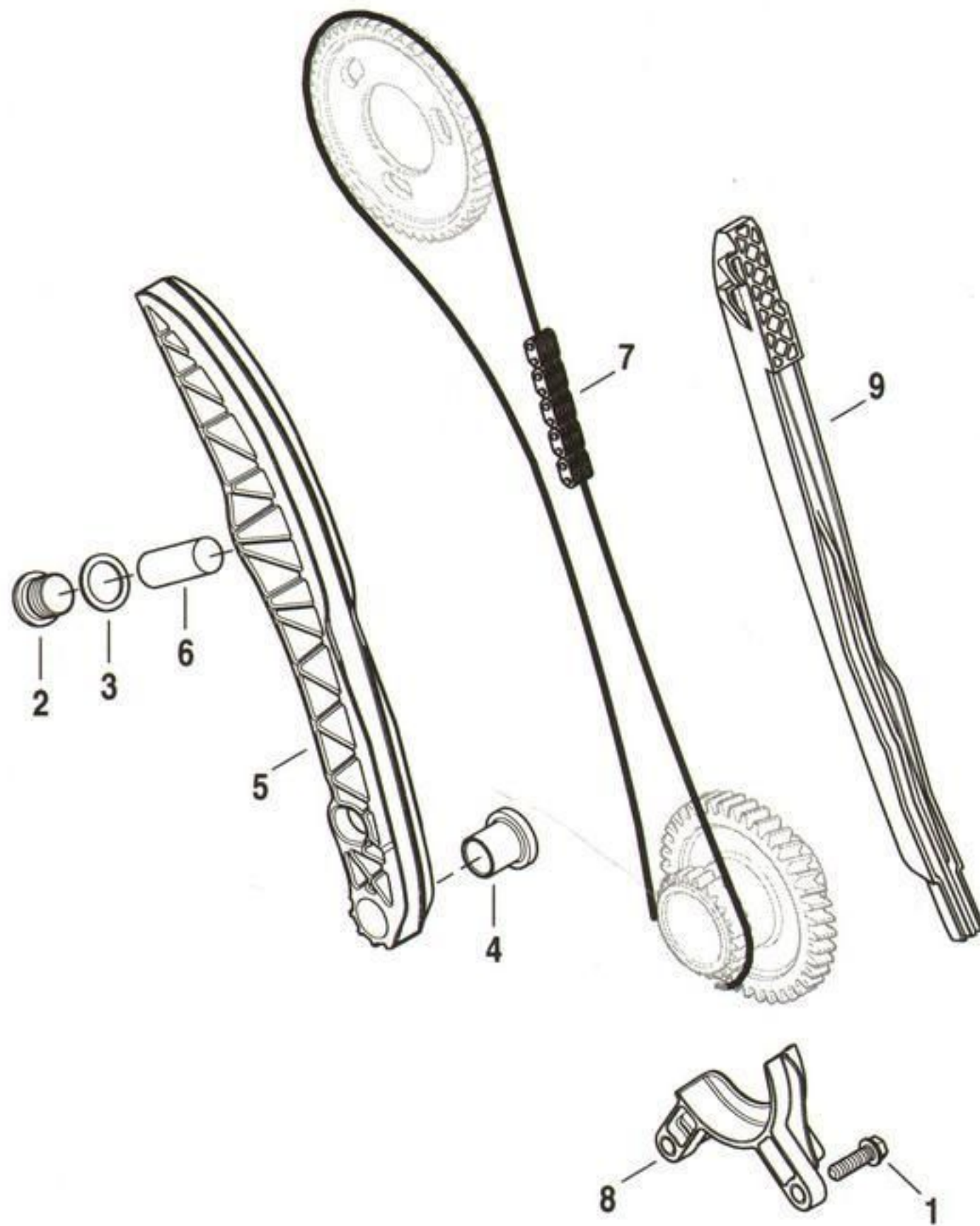
INDEX NO.	PART NO.	DESCRIPTION	MODEL(S)
SHIMS 2.000 mm - 3.000 mm LISTED BELOW			
30	18666-01K	SHIM, 2.000 mm	HL/YL
	18624-01K	SHIM, 2.025 mm	HL/YL
	18667-01K	SHIM, 2.050 mm	HL/YL
	18625-01K	SHIM, 2.075 mm	HL/YL
	18668-01K	SHIM, 2.100 mm	HL/YL
	18626-01K	SHIM, 2.125 mm	HL/YL
	18669-01K	SHIM, 2.150 mm	HL/YL
	18627-01K	SHIM, 2.175 mm	HL/YL
	18670-01K	SHIM, 2.200 mm	HL/YL
	18628-01K	SHIM, 2.225 mm	HL/YL
	18671-01K	SHIM, 2.250 mm	HL/YL
	18629-01K	SHIM, 2.275 mm	HL/YL
	18672-01K	SHIM, 2.300 mm	HL/YL
	18630-01K	SHIM, 2.325 mm	HL/YL
	18673-01K	SHIM, 2.350 mm	HL/YL
	18631-01K	SHIM, 2.375 mm	HL/YL
	18674-01K	SHIM, 2.400 mm	HL/YL
	18632-01K	SHIM, 2.425 mm	HL/YL
	18675-01K	SHIM, 2.450 mm	HL/YL
	18638-01K	SHIM, 2.475 mm	HL/YL
	18676-01K	SHIM, 2.500 mm	HL/YL
	18639-01K	SHIM, 2.525 mm	HL/YL
	18677-01K	SHIM, 2.550 mm	HL/YL
	18655-01K	SHIM, 2.575 mm	HL/YL
	18678-01K	SHIM, 2.600 mm	HL/YL
	18656-01K	SHIM, 2.625 mm	HL/YL
	18679-01K	SHIM, 2.650 mm	HL/YL
	18657-01K	SHIM, 2.675 mm	HL/YL
	18680-01K	SHIM, 2.700 mm	HL/YL
	18658-01K	SHIM, 2.725 mm	HL/YL
	18681-01K	SHIM, 2.750 mm	HL/YL
	18659-01K	SHIM, 2.775 mm	HL/YL
	18682-01K	SHIM, 2.800 mm	HL/YL
	18692-01K	SHIM, 2.825 mm	HL/YL
	18683-01K	SHIM, 2.850 mm	HL/YL
	18693-01K	SHIM, 2.875 mm	HL/YL
	18684-01K	SHIM, 2.900 mm	HL/YL
	18694-01K	SHIM, 2.925 mm	HL/YL
	18685-01K	SHIM, 2.950 mm	HL/YL
	18695-01K	SHIM, 2.975 mm	HL/YL
	18686-01K	SHIM, 3.000 mm	HL/YL

2009 MODEL IDENTIFICATION CODES

HL = 1125R

YL = 1125CR

CAM DRIVE SYSTEM



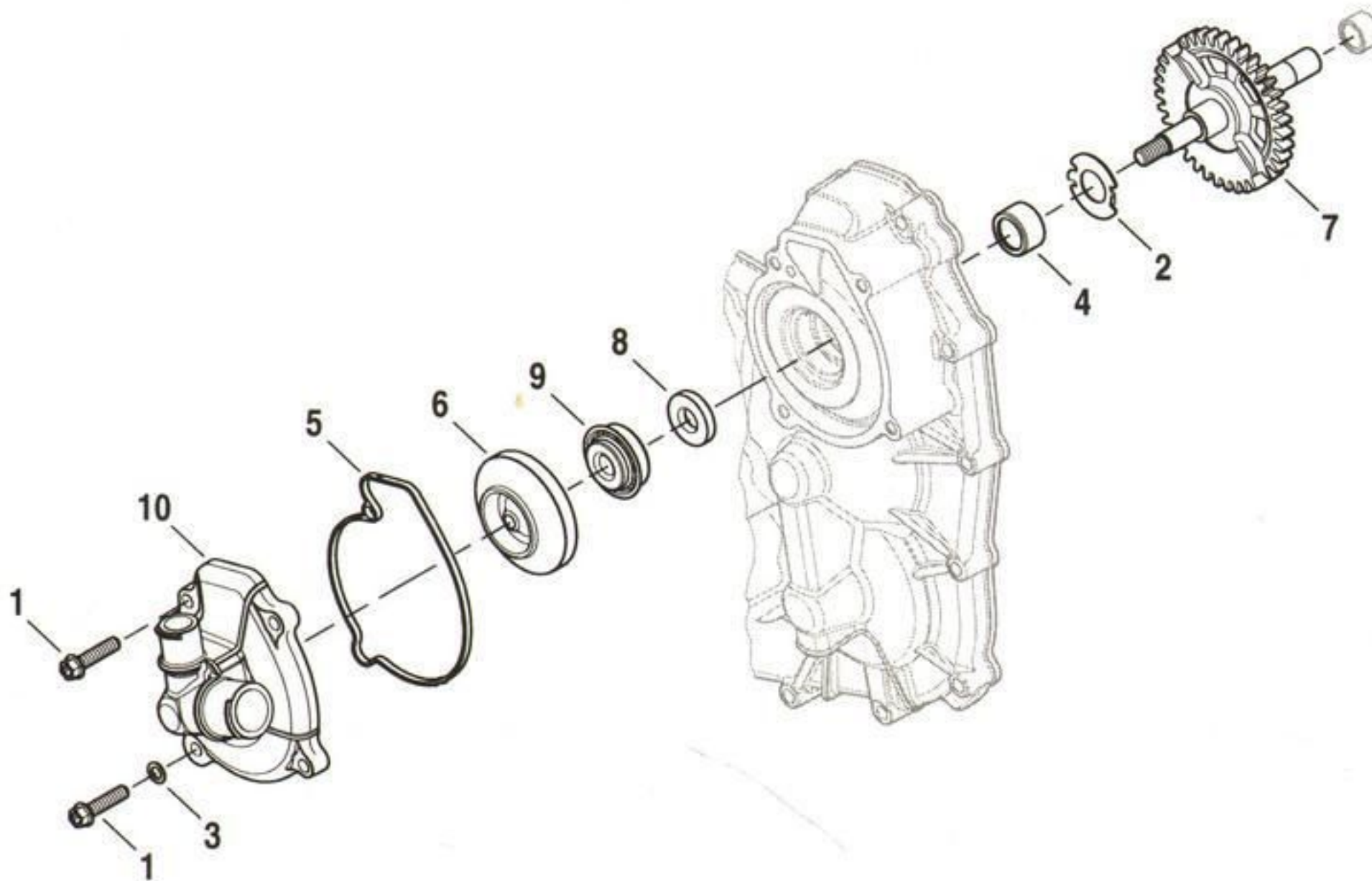
INDEX NO.	PART NO.	DESCRIPTION	MODEL(S)
1	CA0061.1AM	SCREW (4)	HL/YL
2	CA2501.1AM	PLUG, w/ CJ0003.1AM (2)	HL/YL
3	CJ0003.1AM	SEALING RING (2)	HL/YL
4	E0029.1AM	SLEEVE (2)	HL/YL
5	F0020.1AM	GUIDE, chain tension (2)	HL/YL
6	F0021.1AMA	CHAIN TENSIONER ASSEMBLY (2)	HL/YL
7	F0055.1AM	CHAIN, camshaft (2)	HL/YL
8	F0058.1AMA	GUIDE, chain (2)	HL/YL
9	F0059.1AM	GUIDE, chain (2)	HL/YL

2009 MODEL IDENTIFICATION CODES

HL = 1125R

YL = 1125CR

WATER PUMP



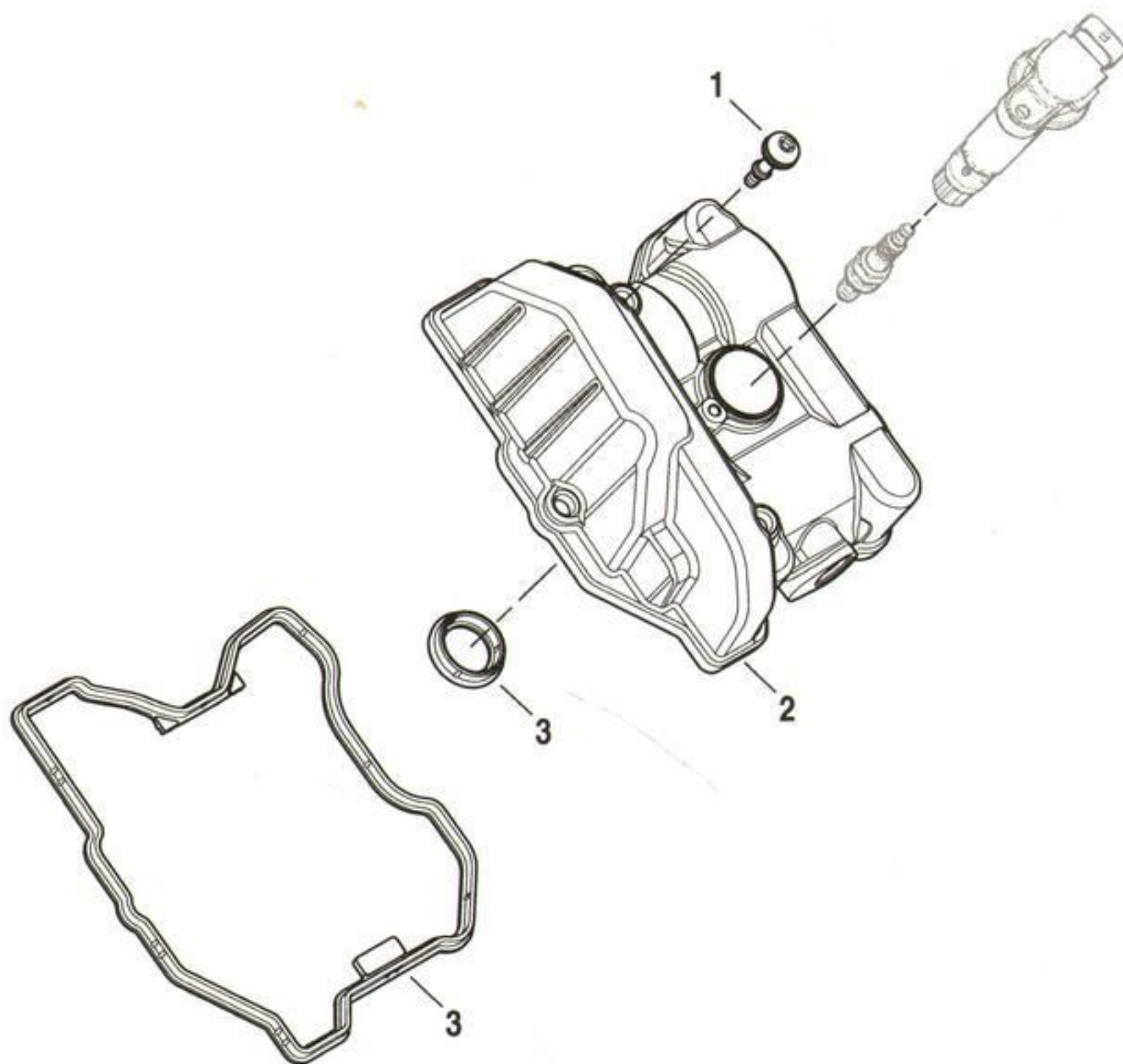
INDEX NO.	PART NO.	DESCRIPTION	MODEL(S)
1	CA0062.1AM	SCREW (4)	HL/YL
2	CB0050.1AMA	THRUST WASHER	HL/YL
3	CJ0001.1AM	SEALING RING	HL/YL
4	E0015.1AM	NEEDLE BUSHING	HL/YL
5	Q0426.1AM	GASKET	HL/YL
6	Q0427.1AM	IMPELLER	HL/YL
7	Q0428.1AM	SHAFT ASSEMBLY, water pump	HL/YL
8	Q0430.1AM	OIL SEAL	HL/YL
9	Q0431.1AMA	ROTARY SEAL	HL/YL
10	Q1425.1AM	WATERPUMP HOUSING, w/ Q0426.1AM	HL/YL

2009 MODEL IDENTIFICATION CODES

HL = 1125R

YL = 1125CR

VALVE COVERS



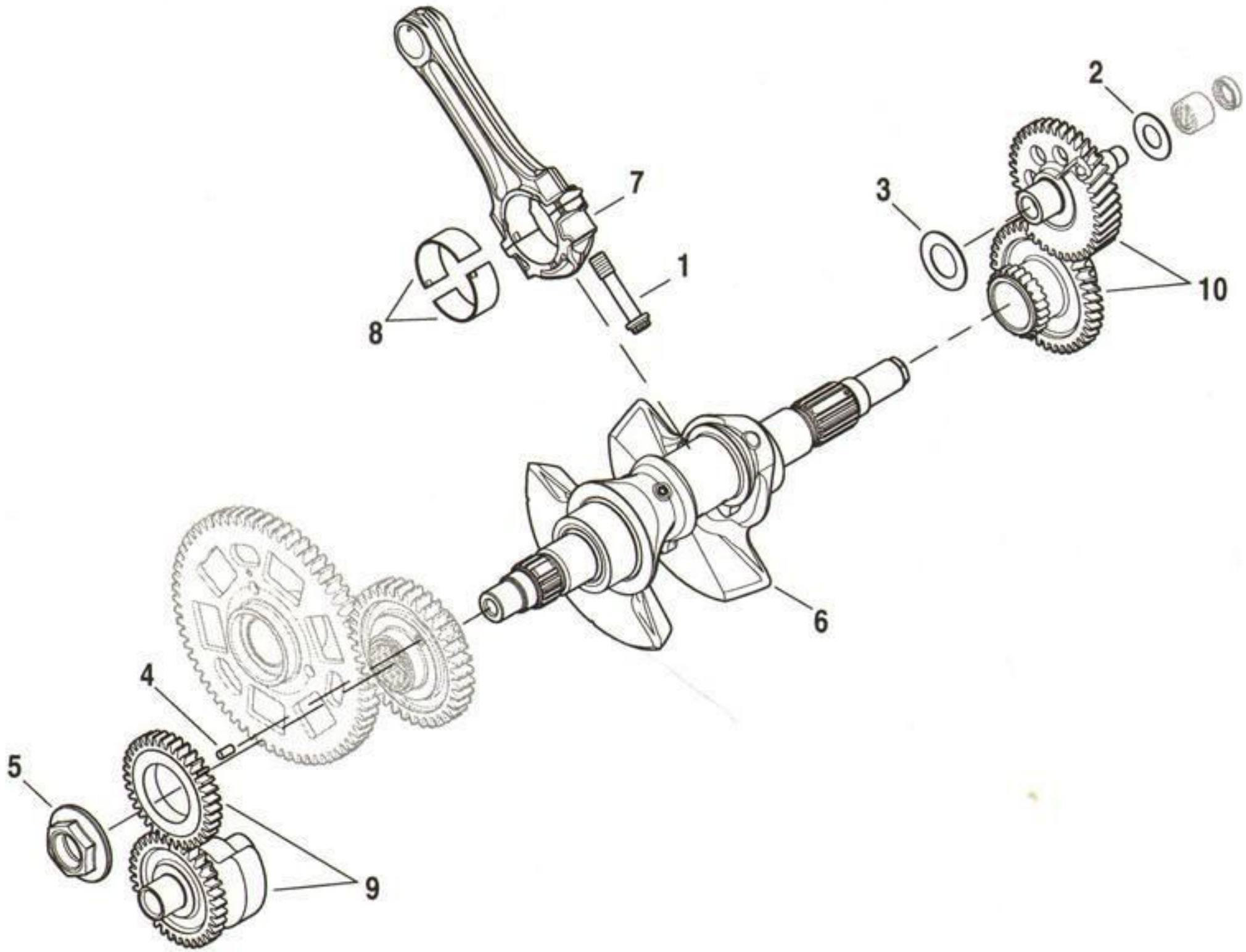
INDEX NO.	PART NO.	DESCRIPTION	MODEL(S)
1	CA0037.1AM	SCREW, distance (10)	HL/YL
2	R0111.1AM	VALVE COVER (2)	HL/YL
3	R1001.1AM	GASKETS, valve cover (2)	HL/YL

2009 MODEL IDENTIFICATION CODES

HL = 1125R

YL = 1125CR

CRANKSHAFT & BALANCE DRIVE



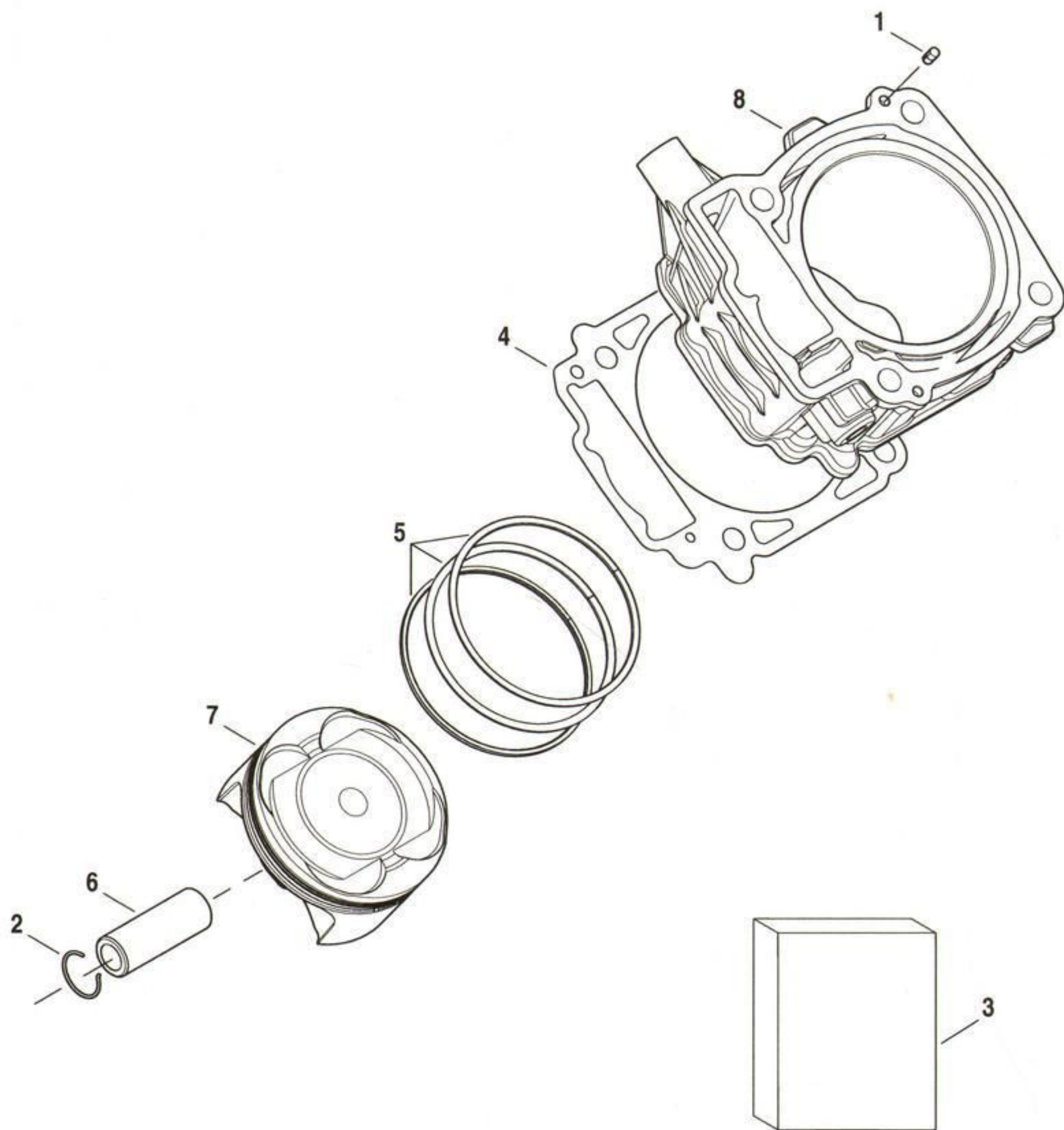
INDEX NO.	PART NO.	DESCRIPTION	MODEL(S)
1	CA0034.1AMA	SCREW, connecting rod (4)	HL/YL
2	CB0028.1AM	THRUST WASHER	HL/YL
3	CB0034.1AM	THRUST WASHER	HL/YL
4	CC0007.1AM	PIN	HL/YL
5	CD0033.1AM	NUT	HL/YL
6	U0001.1AM	CRANKSHAFT ASSEMBLY	HL/YL
7	U0002.1AMA	CONNECTING ROD, w/ cover assembly (2)	HL/YL
8	U0010.1AM	BEARING (4)	HL/YL
9	U0040.1AM	BALANCER SHAFT, bottom	HL/YL
10	U0041.1AM	BALANCE DRIVE, top	HL/YL

2009 MODEL IDENTIFICATION CODES

HL = 1125R

YL = 1125CR

CYLINDER & PISTON



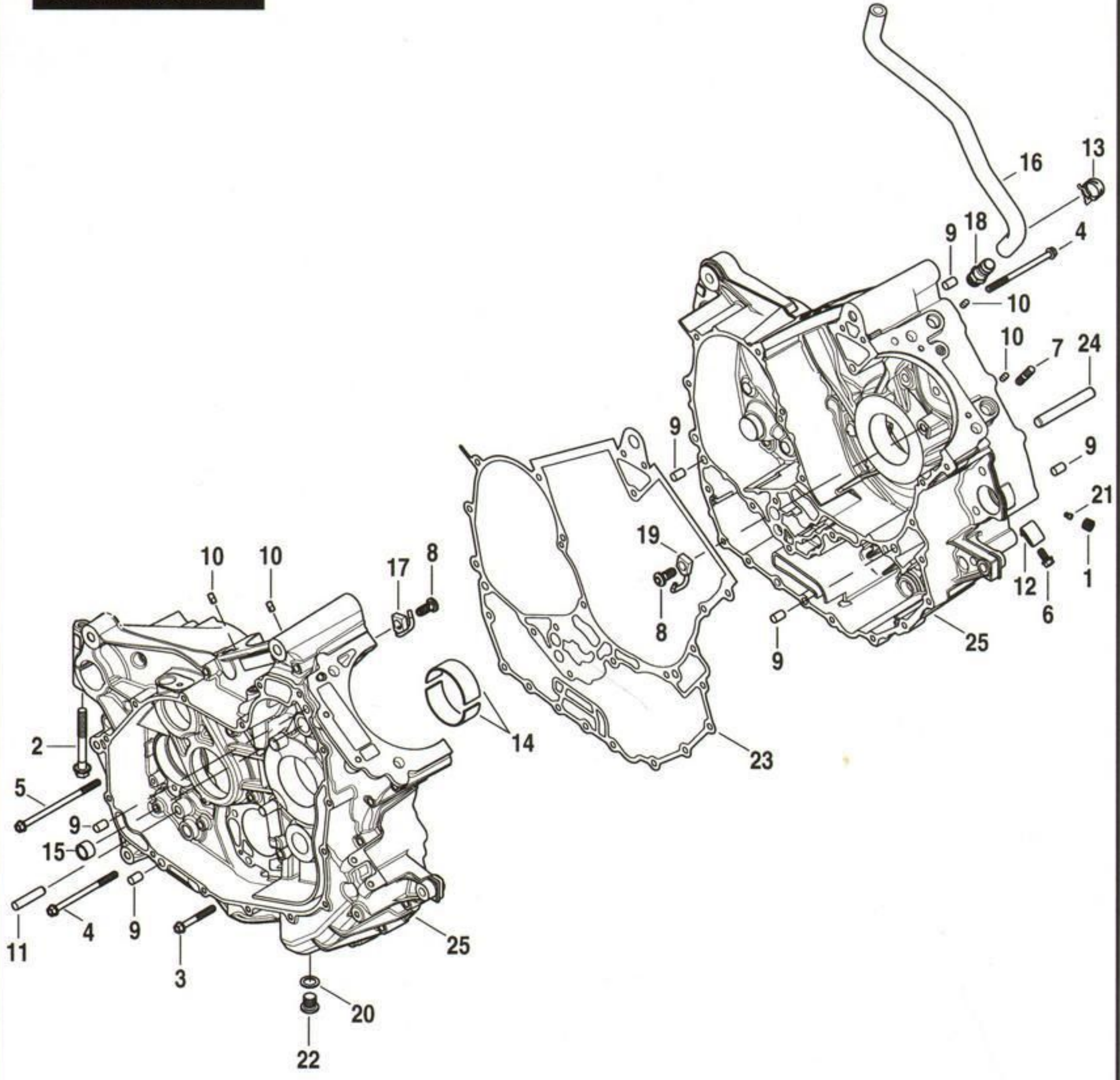
INDEX NO.	PART NO.	DESCRIPTION	MODEL(S)
1	CC0002.1AM	DRIVE PIN (4)	HL/YL
2	CE0005.1AM	CIRCLIP (4)	HL/YL
3	T1001.1AM	GASKET KIT, engine overhaul	HL/YL
4	V0025.1AM	GASKET (2)	HL/YL
5	V0050.1AMA	PISTON RING SET (2)	HL/YL
6	V0061.1AMA	PIN, piston (2)	HL/YL
7	V0200.1AMB	PISTON, w/ V0050.1AMA (2)	HL/YL
8	V1040.1AM	CYLINDER, front, w/ CC0002.1AM	HL/YL
	V1041.1AM	CYLINDER, rear, w/ CC0002.1AM	HL/YL

2009 MODEL IDENTIFICATION CODES

HL = 1125R

YL = 1125CR

CRANKCASE



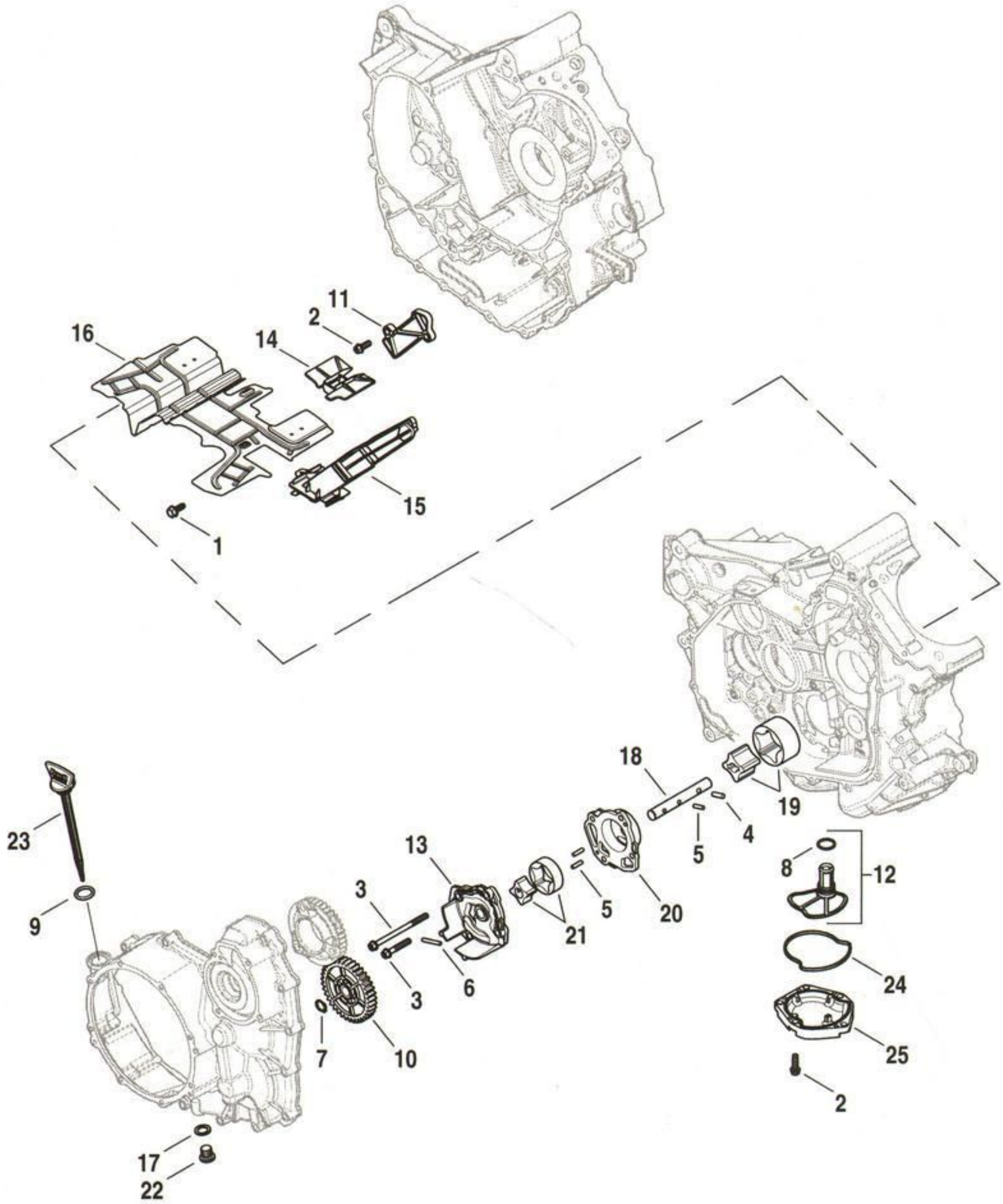
INDEX NO.	PART NO.	DESCRIPTION	MODEL(S)
1	CA0032.1AM	PLUG, screw	HL/YL
2	CA0041.1AM	SCREW	HL/YL
3	CA0066.1AM	SCREW, 45mm (8)	HL/YL
4	CA0068.1AM	SCREW, 85mm (15)	HL/YL
5	CA0069.1AM	SCREW, 105mm (2)	HL/YL
6	CA0078.1AM	SCREW	HL/YL
7	CA0800.1AM	STUD	HL/YL
8	CA0900.1AM	BANJO BOLT (2)	HL/YL
9	CC0001.1AM	PIN (6)	HL/YL
10	CC0002.1AM	PIN (4)	HL/YL
11	CC0003.1AM	PIN	HL/YL
12	CM0003.1AM	CLAMP	HL/YL
13	CN0017.2AM	CLAMP	HL/YL
14	E0027.1AM	BEARING (4)	HL/YL
15	E0028.1AM	NEEDLE BUSHING	HL/YL
16	P1036.2AM	HOSE, engine breather	HL/YL
	CL0002.1AM	WIRETIE, engine breather hose (not illustrated)	HL/YL
	Y0303.2B	WIRETIE, engine breather hose (not illustrated)	HL/YL
17	Q0015.1AM	OIL NOZZLE ASSEMBLY, w/ CA0900.1AM	HL/YL
18	Q0041.1AM	NIPPLE	HL/YL
19	Q0075.1AMA	OIL NOZZLE ASSEMBLY, w/ CA0900.1AM	HL/YL
20	Q0091.1AM	SEALING RING	HL/YL
21	Q0095.1AM	JET	HL/YL
22	Q1050.1AM	DRAIN PLUG, w/ Q0091.1AM	HL/YL
23	W0005.1AMA	GASKET	HL/YL
24	W0101.1AM	NEEDLE PIN	HL/YL
25	W1001.1AM	CRANKCASE ASSEMBLY, w/ 1, 4, 9, 10, 11, 14, 15, 21, 24, seals & bearings	HL/YL

2009 MODEL IDENTIFICATION CODES

HL = 1125R

YL = 1125CR

OIL PUMP



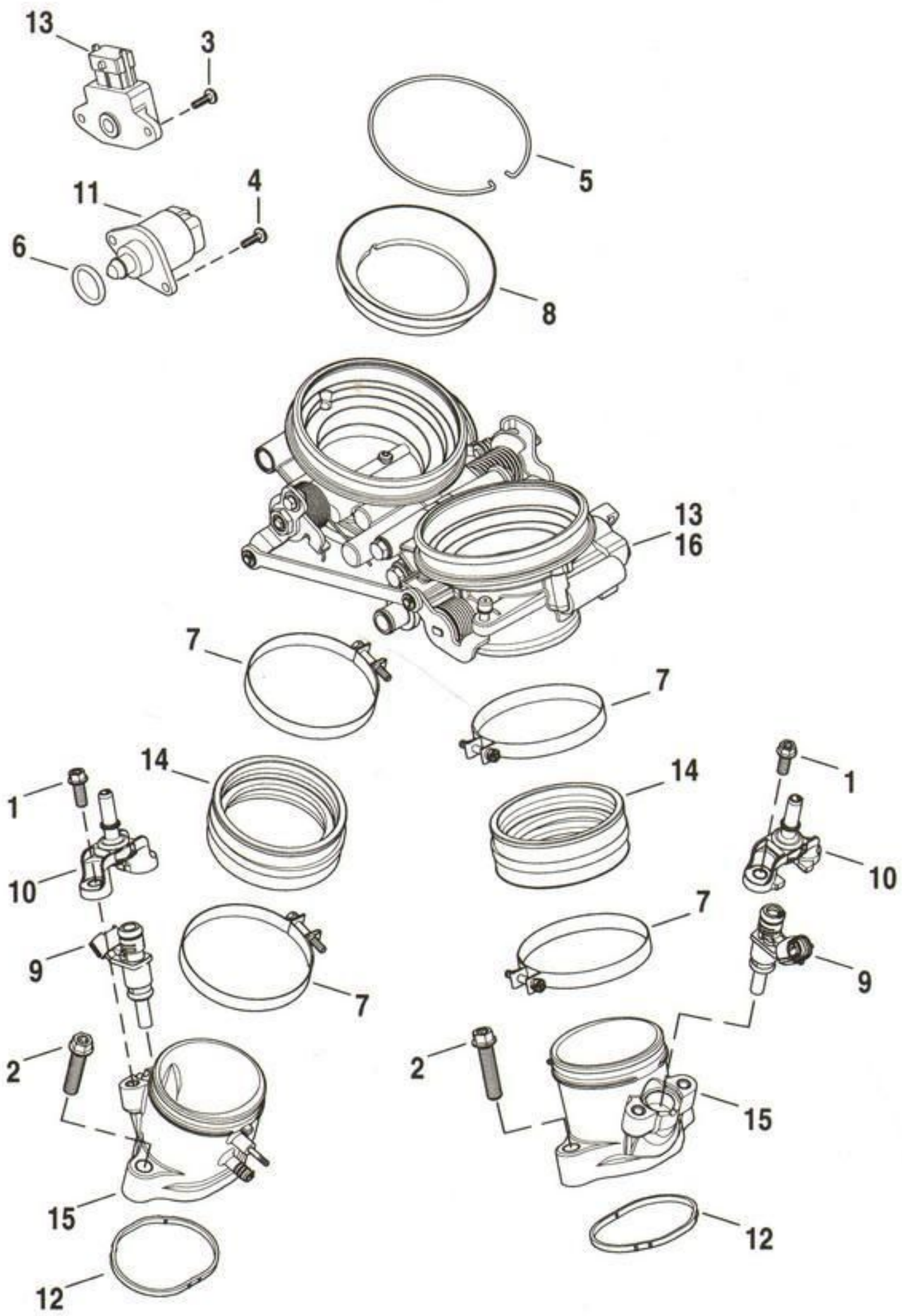
INDEX NO.	PART NO.	DESCRIPTION	MODEL(S)
1	CA0049.1AM	SCREW (2)	HL/YL
2	CA0061.1AM	SCREW (9)	HL/YL
3	CA0068.1AM	SCREW (2)	HL/YL
4	CC0004.1AM	NEEDLE PIN	HL/YL
5	CC0005.1AM	NEEDLE PIN (3)	HL/YL
6	CC0006.1AM	NEEDLE PIN	HL/YL
7	CE0001.1AM	RETAINING RING	HL/YL
8	CF0001.1AM	O-RING	HL/YL
9	CF0002.1AM	O-RING	HL/YL
10	Q0054.1AM	GEAR, oil pump, 37T	HL/YL
11	Q0062.1AM	COVER, oil duct	HL/YL
12	Q0063.1AM	OIL STRAINER	HL/YL
13	Q0065.1AM	COVER, oil pump	HL/YL
14	Q0081.1AM	ADAPTER, oil suction	HL/YL
15	Q0083.1AM	COLLECTOR, oil	HL/YL
16	Q0084.1AM	BAFFLE, oil sump	HL/YL
17	Q0091.1AM	SEALING RING	HL/YL
18	Q0360.1AM	SHAFT, oil pump	HL/YL
19	Q0361.1AM	ROTOR, inner & outer, scavage	HL/YL
20	Q0362.1AM	HOUSING, oil pump	HL/YL
21	Q0363.1AM	ROTOR, inner & outer, pressure	HL/YL
22	Q1050.1AM	DRAIN PLUG, w/ Q0091.1AM	HL/YL
23	Q1127.1AM	PLUG, oil filler w/ CF0002.1AM	HL/YL
24	R0007.1AM	SEAL	HL/YL
25	R0025.1AM	COVER, oil strainer	HL/YL

2009 MODEL IDENTIFICATION CODES

HL = 1125R

YL = 1125CR

THROTTLE BODY



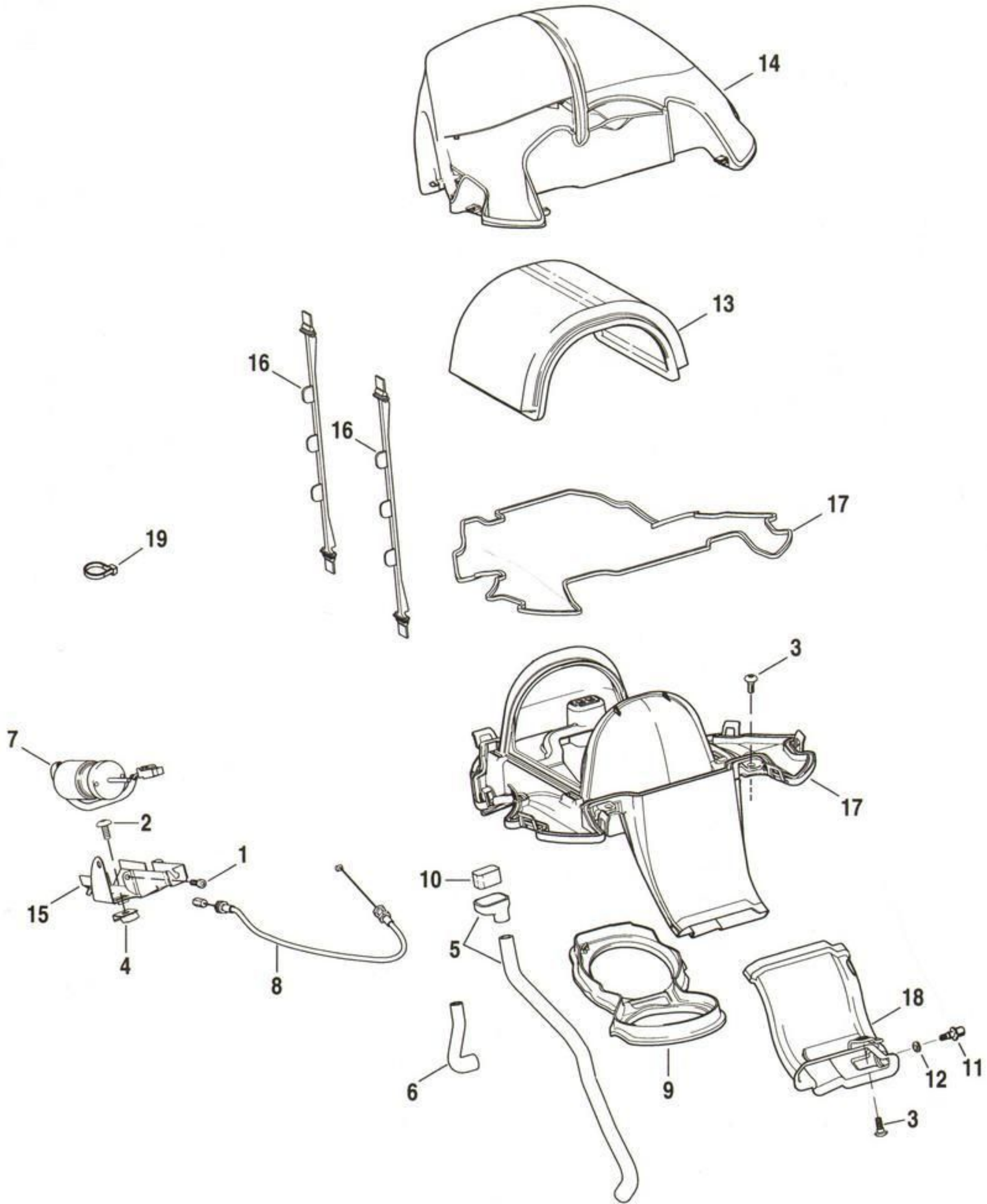
INDEX NO.	PART NO.	DESCRIPTION	MODEL(S)
1	CA0060.1AM	SCREW (4)	HL/YL
2	CA0070.1AM	SCREW (4)	HL/YL
3	CA0086.1AM	SCREW (2)	HL/YL
4	CA0087.1AM	SCREW (2)	HL/YL
5	CE0008.1AM	SNAP RING (2)	HL/YL
6	CF0017.1AM	O-RING	HL/YL
7	CN0001.1AMA	CLAMP (4)	HL/YL
8	P0025.1AM	INTAKE FUNNEL (2)	HL/YL
9	P0026.2AM	INJECTION VALVE (2)	HL/YL
10	P0204.1AM	JET HOLDER (2)	HL/YL
11	P0282.5AA	ACTUATOR, idle air control	HL/YL
12	P0465.1AM	GASKET (2)	HL/YL
13	P0803.1AM	THROTTLE BODY, w/ 3, 4, 6, 11 & throttle position sensor	HL/YL
NOTE: Throttle position sensor is part of the throttle body.			
14	P0817.1AM	INTAKE NECK (2)	HL/YL
15	P1804.1AM	INTAKE FLANGE, w/ P0465.1AM (2)	HL/YL
INTERNATIONAL MODELS ONLY			
16	P0803A.1AM	THROTTLE BODY, w/ 3, 4, 6, 11 & throttle position sensor (105 HDI)	HL/YL

2009 MODEL IDENTIFICATION CODES

HL = 1125R

YL = 1125CR

AIR CLEANER



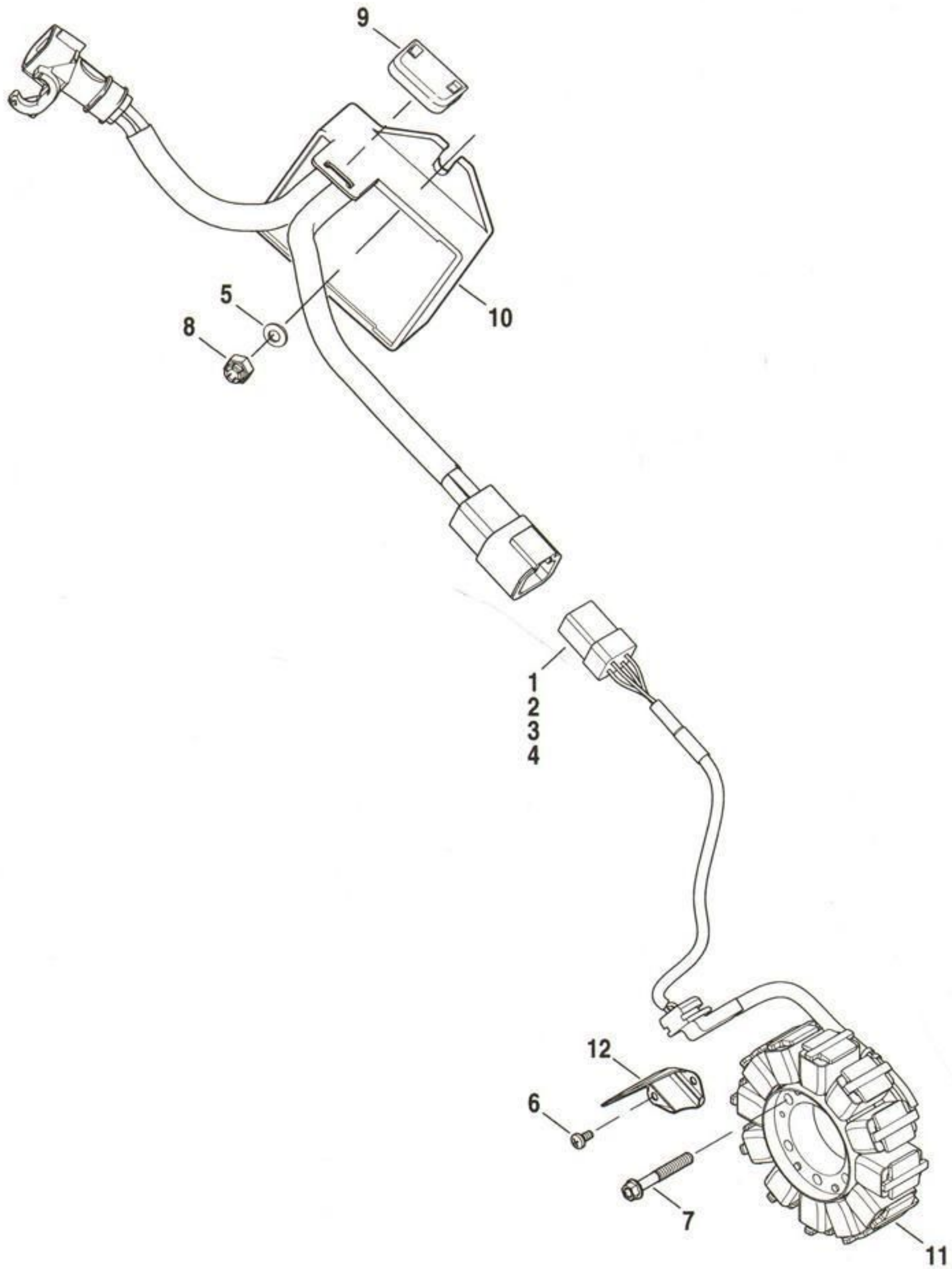
INDEX NO.	PART NO.	DESCRIPTION	MODEL(S)
1	AN1005.2CZ	SCREW (2)	HL/YL
2	CA0023.1AM	SCREW	HL/YL
3	CA0030.1AMA	SCREW (3)	HL/YL
4	CD0029.1AM	NUT, speed clip	HL/YL
5	P1036.2AM	HOSE, engine breather	HL/YL
6	P0037.1AMA	HOSE, idle air control	HL/YL
7	P0046.1AMB	INTAKE SOLENOID ASSEMBLY	HL/YL
8	P0047.1AMA	INTAKE SOLENOID CABLE	HL/YL
9	P0084.1AMH	GASKET, throttle body mount	HL/YL
10	P0089.1AMB	FILTER, breather hose	HL/YL
11	P0138.K	SENSOR, IAT	HL/YL
12	P0139.K	GROMMET	HL/YL
13	P0213.1AMA	AIR FILTER ELEMENT	HL/YL
14	P0215.1AMA	AIRBOX COVER	HL/YL
15	P0353.1AMXT	MOUNT, active intake solenoid	HL/YL
16	P0358.1AMG	RETAINER, air filter (2)	HL/YL
17	P1700.1AM	BASEPLATE ASSEMBLY, airbox w/ 5, 9 & 16	HL/YL
18	P0851.1AMB	INTAKE SNORKEL, ram air	HL/YL
19	Y0303.2B	WIRETIE (2)	HL/YL

2009 MODEL IDENTIFICATION CODES

HL = 1125R

YL = 1125CR

ALTERNATOR & REGULATOR



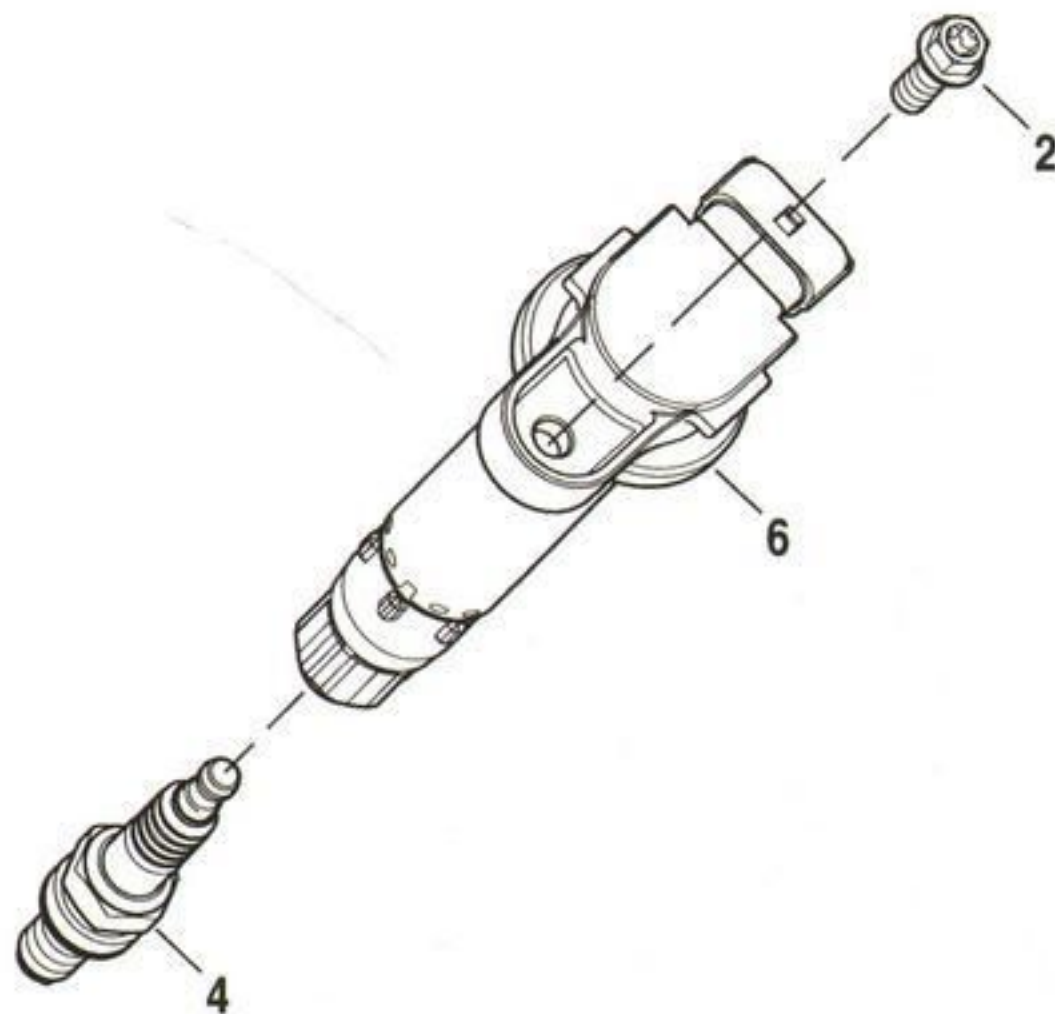
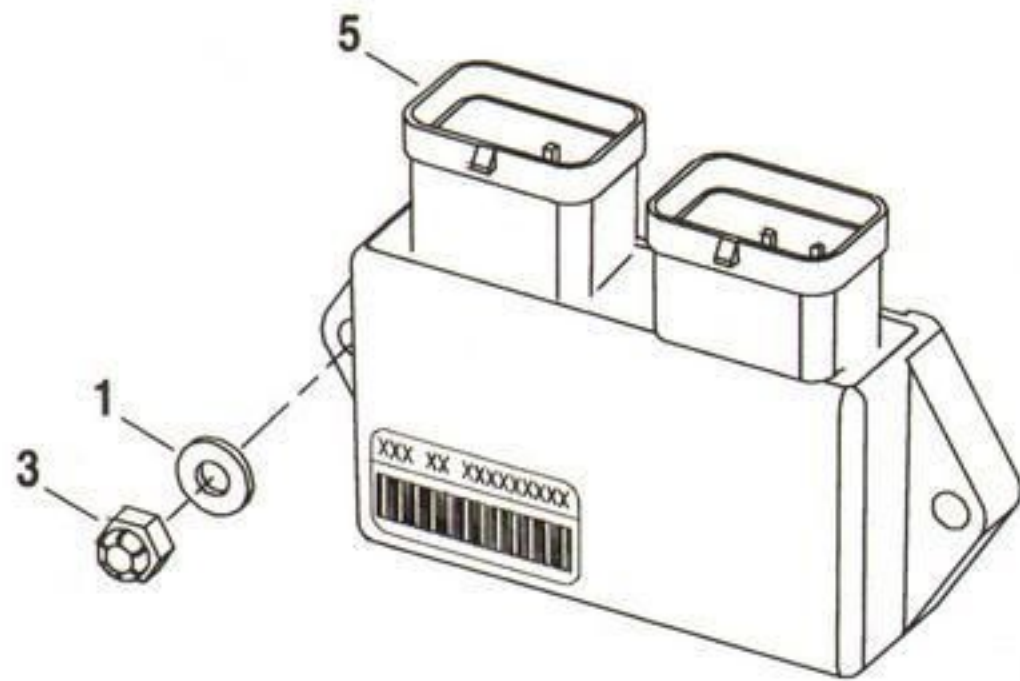
INDEX NO.	PART NO.	DESCRIPTION	MODEL(S)
1	72195-94	SEAL PIN	HL/YL
2	72604-01BK	HOUSING PIN	HL/YL
3	72644-01	SECONDARY LOCK	HL/YL
4	72690-01	TERMINAL PIN (3)	HL/YL
5	B0613.1BL	WASHER (2)	HL/YL
6	CA0048.1AM	SCREW (2)	HL/YL
7	CA0063.1AM	SCREW (3)	HL/YL
8	D0600.10CCBL	NUT (2)	HL/YL
9	M0113.1AM	CAP, voltage regulator	HL/YL
10	Y0302.1AMC	VOLTAGE REGULATOR	HL/YL
11	Y0442.2AM	STATOR ASSEMBLY	HL/YL
12	Y1012.1AM	CABLE HOLDER, inner	HL/YL

2009 MODEL IDENTIFICATION CODES

HL = 1125R

YL = 1125CR

ELECTRONIC CONTROL MODULE & COIL



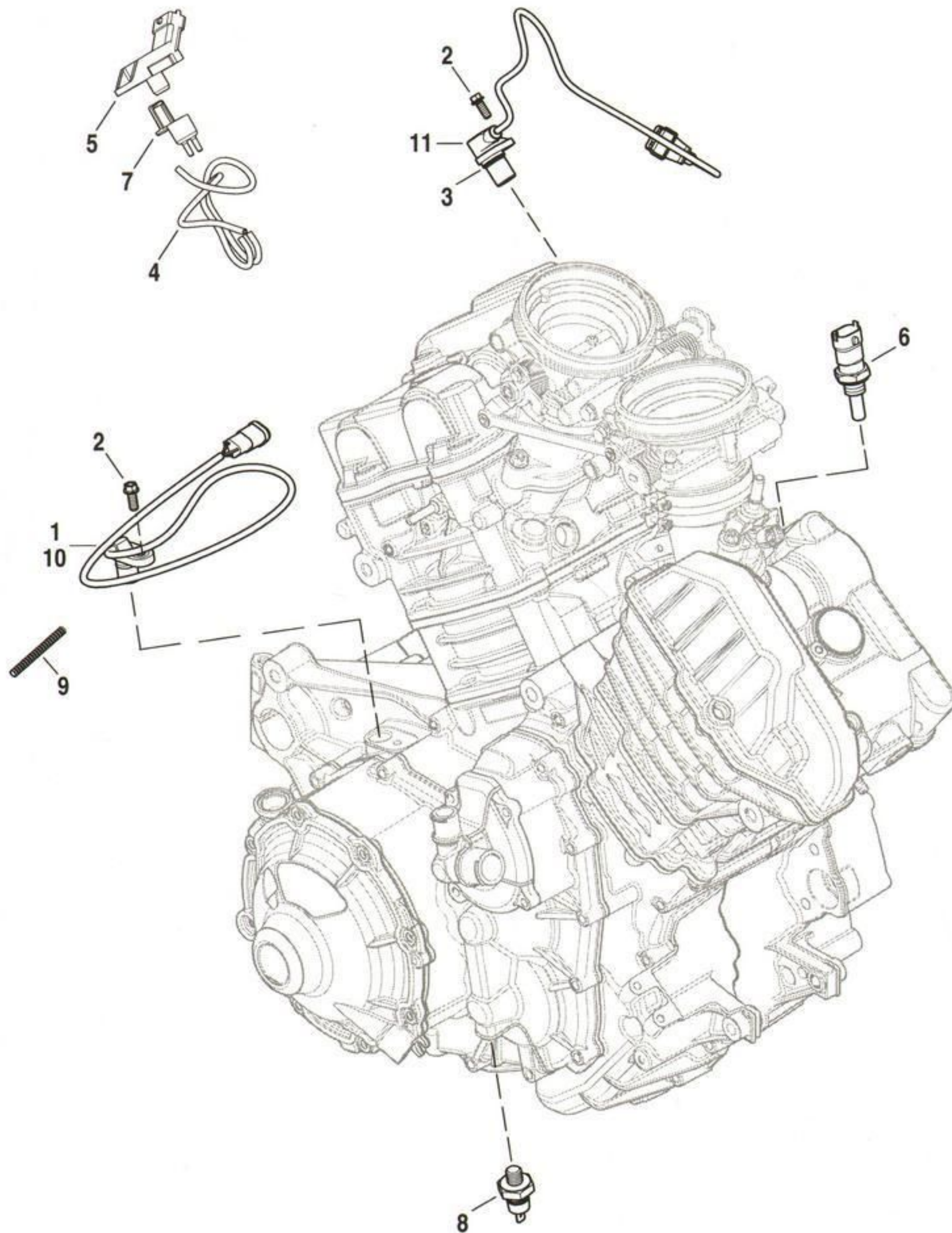
INDEX NO.	PART NO.	DESCRIPTION	MODEL(S)
1	B0613.1BL	WASHER	HL/YL
2	CA0060.1AM	SCREW (2)	HL/YL
3	D0600.10CCBL	NUT	HL/YL
4	V0075.1AM	SPARK PLUG (2)	HL/YL
5	Y0152.1AM	ECM	HL/YL
6	Y0300.1AMC	STICK COIL (2)	HL/YL

2009 MODEL IDENTIFICATION CODES

HL = 1125R

YL = 1125CR

ENGINE SENSORS & SWITCHES



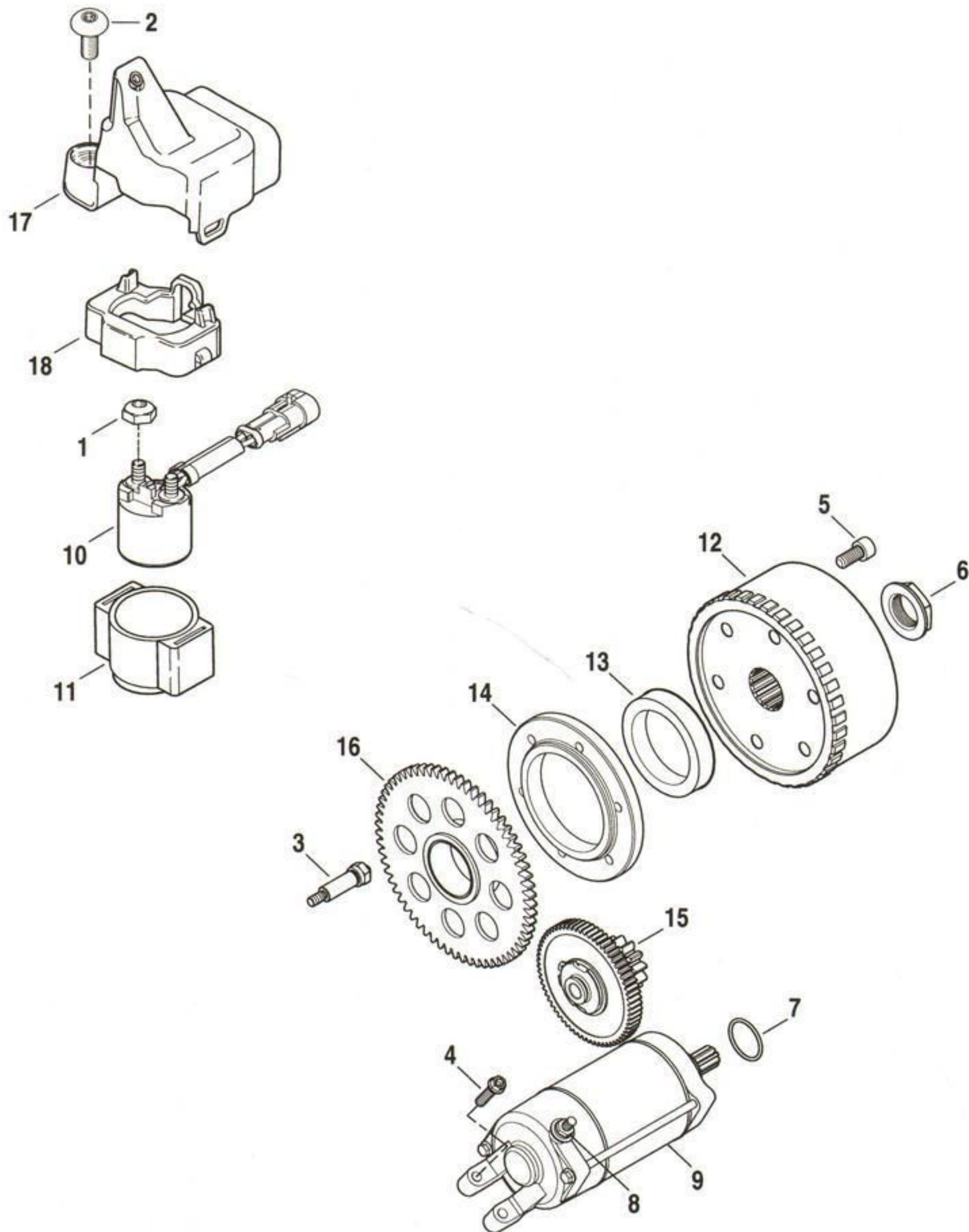
INDEX NO.	PART NO.	DESCRIPTION	MODEL(S)
1	11289A	O-RING, speed sensor	HL/YL
2	CA0060.1AM	SCREW (2)	HL/YL
3	CF0018.1AM	O-RING	HL/YL
4	P0088.1AM	HOSE, air pressure & barometer sensor (2)	HL/YL
5	P0091.1AM	SENSOR, air pressure (2)	HL/YL
6	P0278.1AM	SENSOR, temperature	HL/YL
7	P0508.1AM	MANIFOLD, air pressure & barometer sensor, w/ P0088.1AM	HL/YL
8	Y0382.1AMB	SWITCH, oil pressure	HL/YL
9	Y0386.1AM	CONDUIT	HL/YL
10	Y0394.1AMA	SENSOR, speed w/ 11289A	HL/YL
11	Y0640.1AMA	SENSOR, crank position, w/ CF0018.1AM	HL/YL

2009 MODEL IDENTIFICATION CODES

HL = 1125R

YL = 1125CR

STARTER & SOLENOID



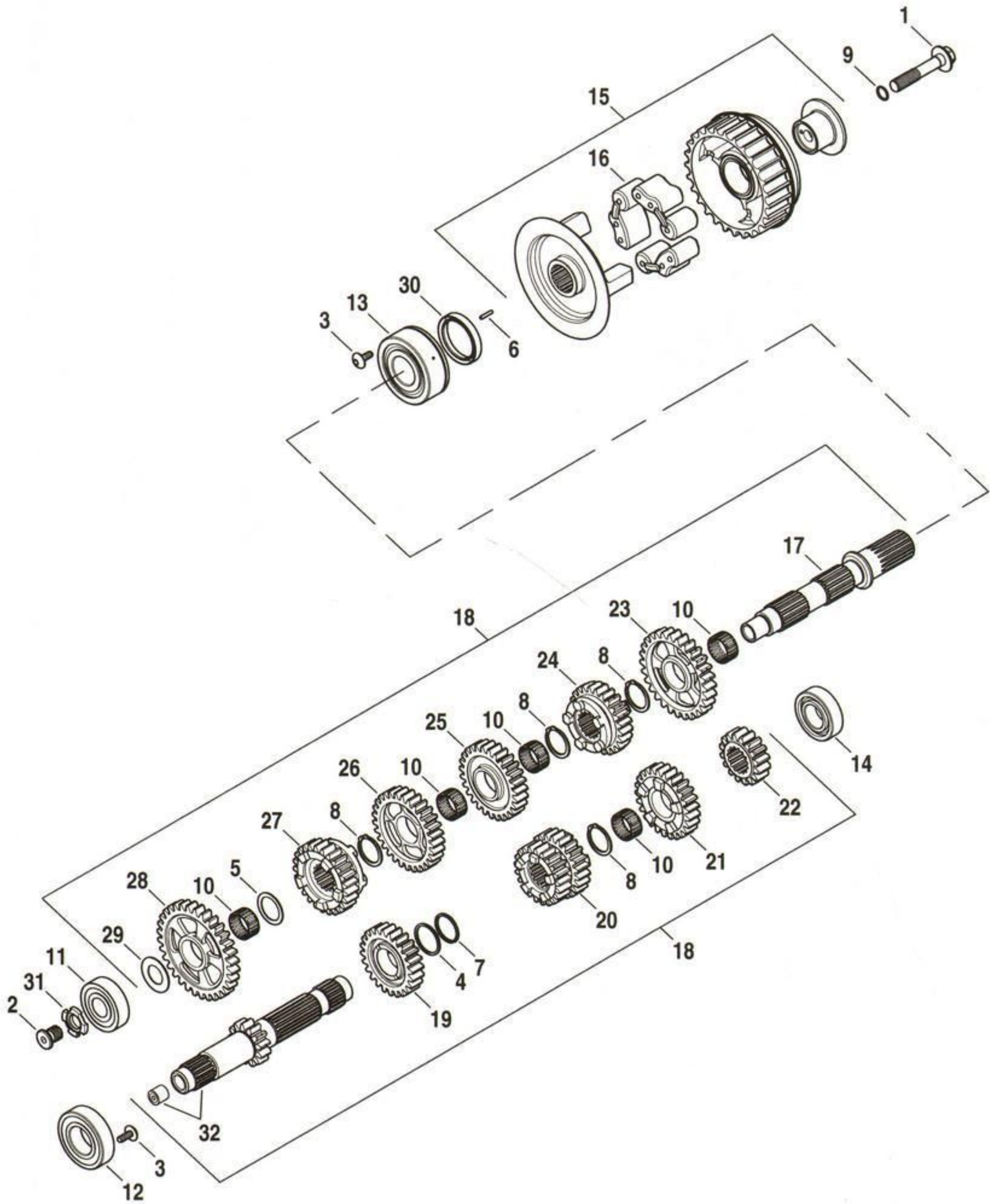
INDEX NO.	PART NO.	DESCRIPTION	MODEL(S)
1	7495	NUT, starter solenoid (2)	HL/YL
2	CA0030.1AMA	SCREW	HL/YL
3	CA0040.1AM	SCREW	HL/YL
4	CA0062.1AM	SCREW (2)	HL/YL
5	CA0081.1AM	SCREW (6)	HL/YL
6	CD0032.1AM	NUT	HL/YL
7	CF0016.1AM	O-RING	HL/YL
8	D0600.10CCBL	NUT, starter	HL/YL
9	Y0383.1AM	STARTER	HL/YL
10	Y0395.1AM	STARTER SOLENOID, w/ Y0453.1AM	HL/YL
	Y0439.1AMA	CABLE, starter to starter solenoid (not illustrated)	HL/YL
11	Y0453.1AM	BOOT, starter solenoid	HL/YL
12	Y0533.2AM	FLYWHEEL, w/ hub	HL/YL
13	Y0536.1AM	CLUTCH, sprag	HL/YL
14	Y0537.1AM	HOUSING, sprag clutch	HL/YL
15	Y0538.1AMA	CLUTCH, friction	HL/YL
16	Y0539.1AM	GEAR, 53T	HL/YL
17	Y1011.1AMA	TOP, starter solenoid / brake reservoir mount	HL/YL
18	Y1014.1AM	BOTTOM, starter solenoid	HL/YL

2009 MODEL IDENTIFICATION CODES

HL = 1125R

YL = 1125CR

TRANSMISSION GEARS



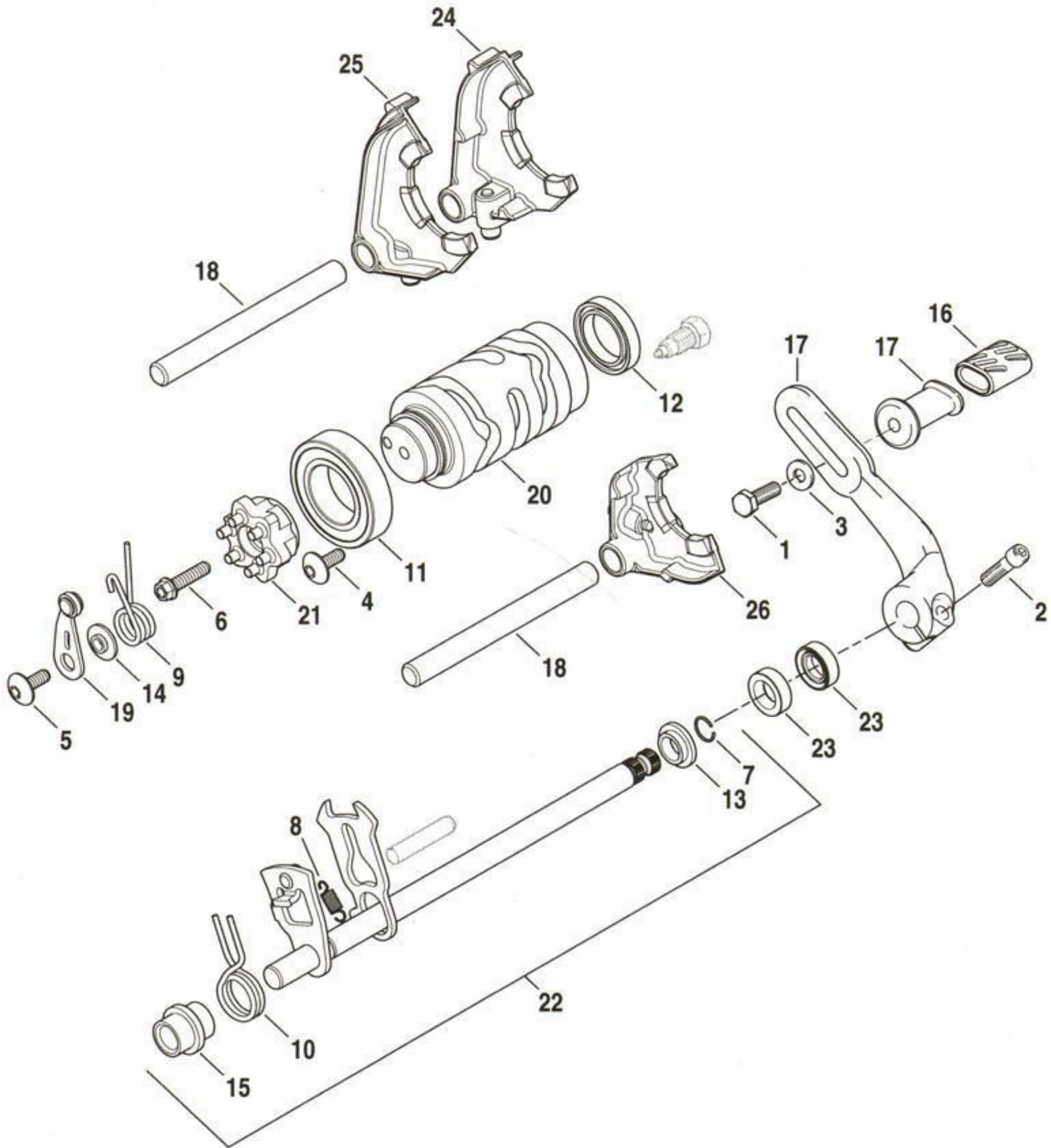
INDEX NO.	PART NO.	DESCRIPTION	MODEL(S)
1	CA0042.1AM	SCREW	HL/YL
2	CA0046.1AM	SCREW	HL/YL
3	CA0058.1AMA	SCREW (2)	HL/YL
4	CB0022.1AM	THRUST WASHER	HL/YL
5	CB0023.1AM	THRUST WASHER	HL/YL
6	CC0012.1AM	NEEDLE PIN	HL/YL
7	CE0002.1AM	SNAP RING	HL/YL
8	CE0003.1AM	RETAINING RING (4)	HL/YL
9	CF0013.1AM	O-RING	HL/YL
10	E0018.1AM	NEEDLE BEARING (5)	HL/YL
11	E0019.1AM	BALL BEARING	HL/YL
12	E0020.1AM	BALL BEARING	HL/YL
13	E0021.1AM	BALL BEARING	HL/YL
14	E0022.1AM	BALL BEARING	HL/YL
15	G0440.1AMJ	PULLEY ASSEMBLY, front sprocket, 27T	HL/YL
16	G1441.1AM	RUBBER DAMPER SET	HL/YL
17	X0009.1AMA	MAINSHAFT	HL/YL
18	X1040.1AM	GEAR BOX, w/ 4, 5, 7, 8, 10, 17, 19, 20, 21, 22, 23, 24, 25, 26, 27, 28, 29, 32	HL/YL
19	X0041.1AMA	FREE PINION, 24T	HL/YL
20	X0042.1AM	GEAR PINION, 21/23T	HL/YL
21	X0043.1AM	FREE PINION, 25T	HL/YL
22	X0044.1AM	GEAR, 16T	HL/YL
23	X0045.1AM	FREE PINION, 28T	HL/YL
24	X0046.1AM	GEAR PINION, 24T	HL/YL
25	X0047.1AM	FREE PINION, 27T	HL/YL
26	X0048.1AM	FREE PINION, 29T	HL/YL
27	X0049.1AM	GEAR PINION, 25T	HL/YL
28	X0050.1AM	FREE PINION, 32T	HL/YL
29	X0062.1AM	SHIM	HL/YL
30	X0070.1AMA	OIL SEAL	HL/YL
31	X0088.1AM	TRIGGER WHEEL, 8T	HL/YL
32	X1008.1AM	CLUTCH SHAFT, 13T w/ oil jet	HL/YL

2009 MODEL IDENTIFICATION CODES

HL = 1125R

YL = 1125CR

GEAR SHIFTER



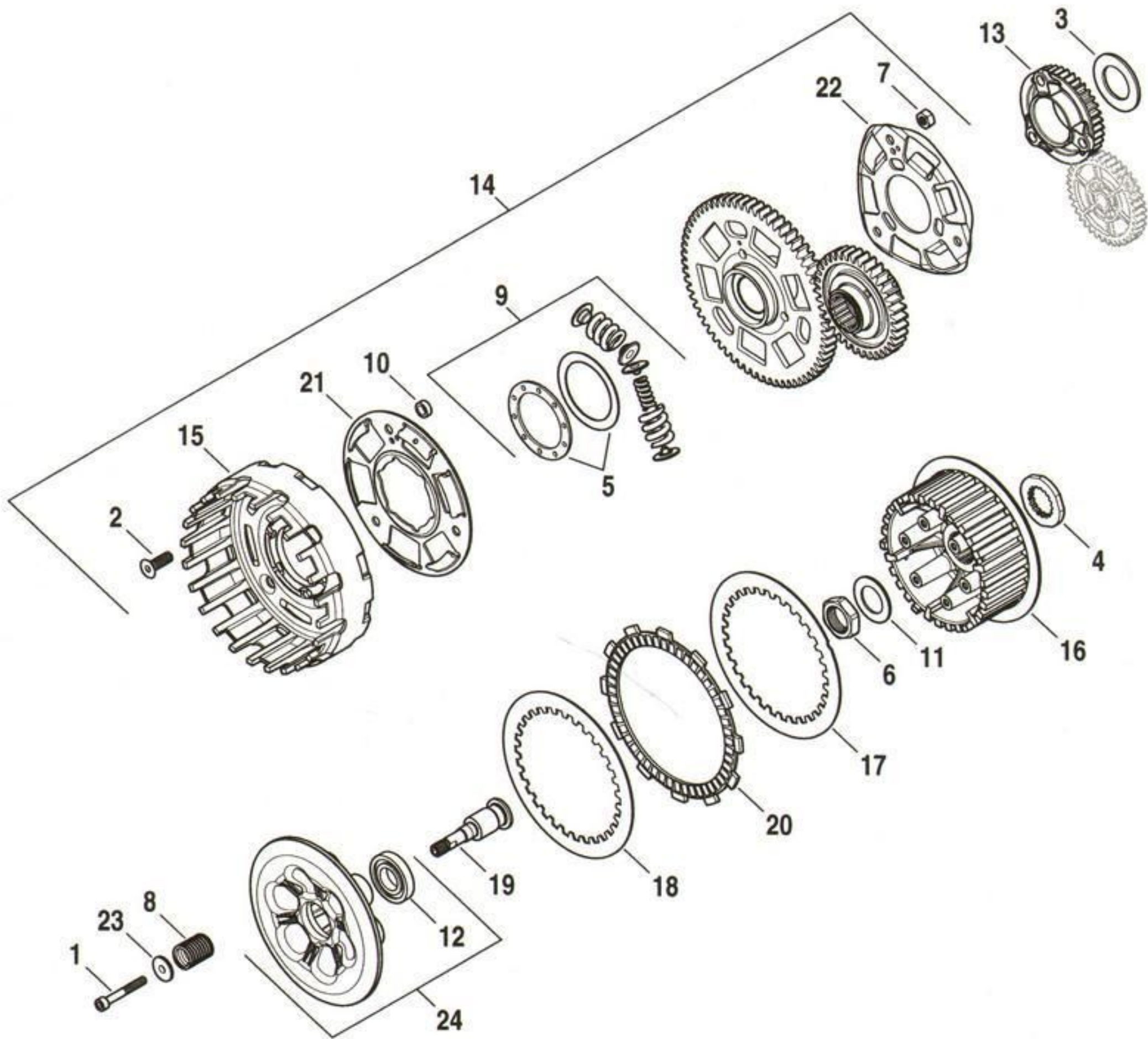
INDEX NO.	PART NO.	DESCRIPTION	MODEL(S)
1	A06020.1CBL	BOLT	HL/YL
2	A06020.2CVB	BOLT	HL/YL
3	B0613.1BL	WASHER	HL/YL
4	CA0058.1AMA	SCREW	HL/YL
5	CA0059.1AMA	SCREW	HL/YL
6	CA0062.1AM	SCREW	HL/YL
7	CE0004.1AM	RETAINING RING	HL/YL
8	CG0002.1AM	SPRING	HL/YL
9	CG0003.1AMA	INDEX SPRING	HL/YL
10	CG0004.1AM	SPRING	HL/YL
11	E0023.1AM	BALL BEARING	HL/YL
12	E0024.1AM	BALL BEARING	HL/YL
13	E0025.1AM	STEP RING	HL/YL
14	E0026.1AM	STEP RING	HL/YL
15	E0030.1AM	STEP SLEEVE	HL/YL
16	N0600.1AM	TOEPEG, shift pedal	HL/YL
17	N0630.1AM	SHIFT PEDAL ASSEMBLY, w/ A06020.2CVB, B0613.1BL & N0600.1AM	HL/YL
18	X0007.1AM	FORK SPINDLE (2)	HL/YL
19	X0010.1AMA	INDEX LEVER ASSEMBLY	HL/YL
20	X0061.1AM	SHIFT DRUM	HL/YL
21	X0066.1AMA	INDEX SHIM	HL/YL
22	X0068.1AM	GEARSHIFT SHAFT, w/ 7, 8, 10, 13, 15	HL/YL
23	X0076.1AMA	OIL SEAL (2)	HL/YL
24	X0090.1AM	GEARSHIFT FORK ASSEMBLY, 2nd & 4th gear	HL/YL
25	X0091.1AM	GEARSHIFT FORK ASSEMBLY, 1st & 3rd gear	HL/YL
26	X0092.1AM	GEARSHIFT FORK ASSEMBLY, 5th & 6th gear	HL/YL

2009 MODEL IDENTIFICATION CODES

HL = 1125R

YL = 1125CR

CLUTCH



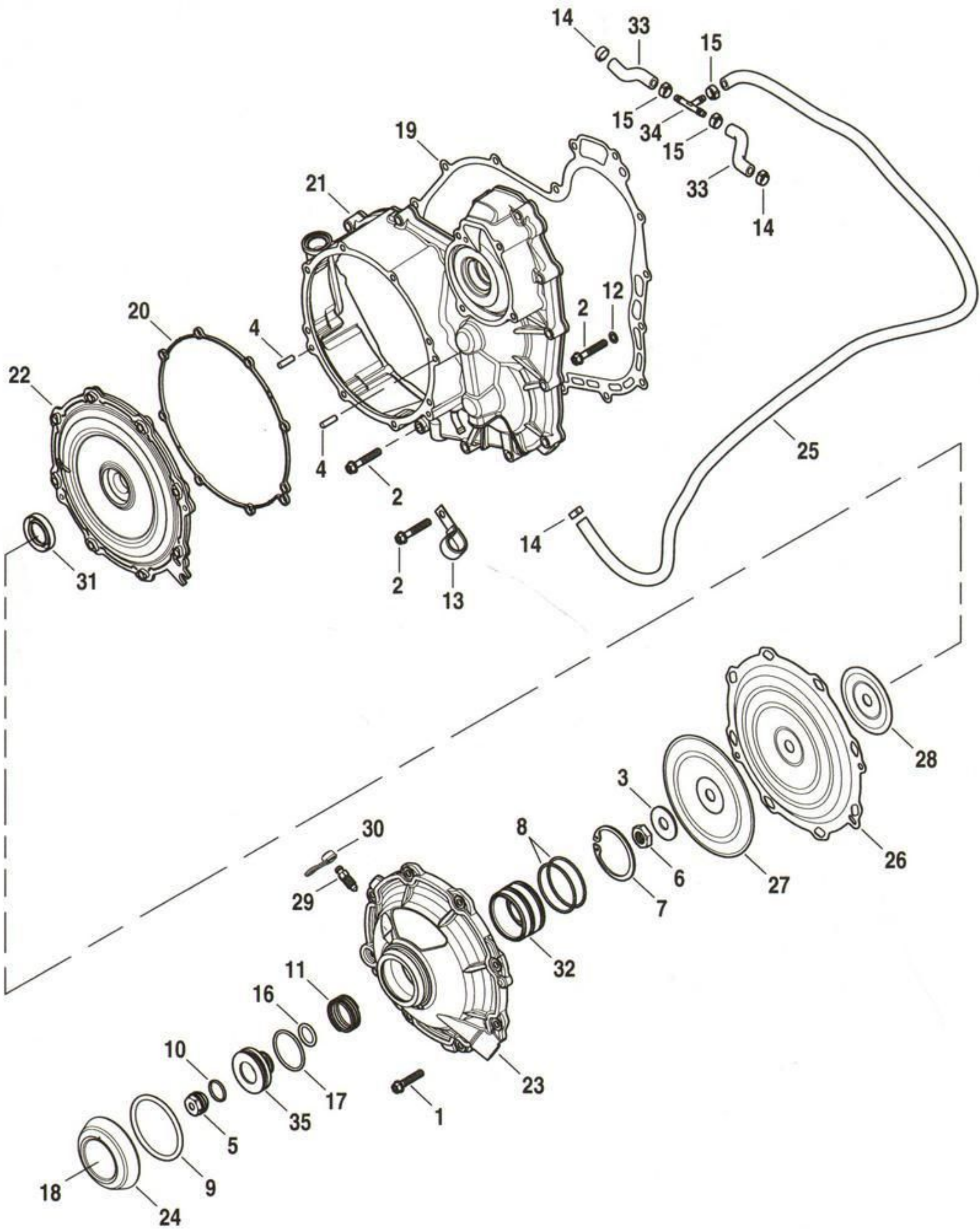
INDEX NO.	PART NO.	DESCRIPTION	MODEL(S)
1	CA0080.1AM	SCREW (6)	HL/YL
2	CA0083.1AM	SCREW (3)	HL/YL
3	CB0024.1AM	THRUST WASHER	HL/YL
4	CB0026.1AM	THRUST RING	HL/YL
5	CB2501.1AM	KIT, primary drive washers	HL/YL
6	CD0034.1AM	NUT	HL/YL
7	CD0035.1AMA	NUT (3)	HL/YL
8	CG0007.1AMB	CLUTCH SPRING (6)	HL/YL
9	CG2501.1AM	KIT, primary drive springs & washers	HL/YL
10	CH0006.1AM	SLEEVE (3)	HL/YL
11	CK0002.1AM	SPRING WASHER	HL/YL
12	E0017.1AM	BALL BEARING	HL/YL
13	Q0053.1AMA	GEAR, oil pump, 38T	HL/YL
14	X0011.1AMB	PRIMARY DRIVE ASSEMBLY, w/ 2, 7, 9, 10, 15, 21 & 22	HL/YL
15	X0012.1AMA	CLUTCH DRUM	HL/YL
16	X0013.1AM	CLUTCH HUB	HL/YL
17	X0014.1AM	CLUTCH PLATE	HL/YL
18	X0015.1AMA	CLUTCH PLATE (9)	HL/YL
19	X0019.1AMB	CLUTCH RELEASE PIN	HL/YL
20	X0030.1AM	FRICTION PLATE (9)	HL/YL
21	X0100.1AMA	SUPPORT PLATE, inner side	HL/YL
22	X0101.1AMA	SUPPORT PLATE, outer side	HL/YL
23	X0104.1AM	STEP WASHER (6)	HL/YL
24	X1035.1AMA	PRESSURE PLATE ASSEMBLY, w/ E0017.1AM	HL/YL

2009 MODEL IDENTIFICATION CODES

HL = 1125R

YL = 1125CR

CLUTCH COVER



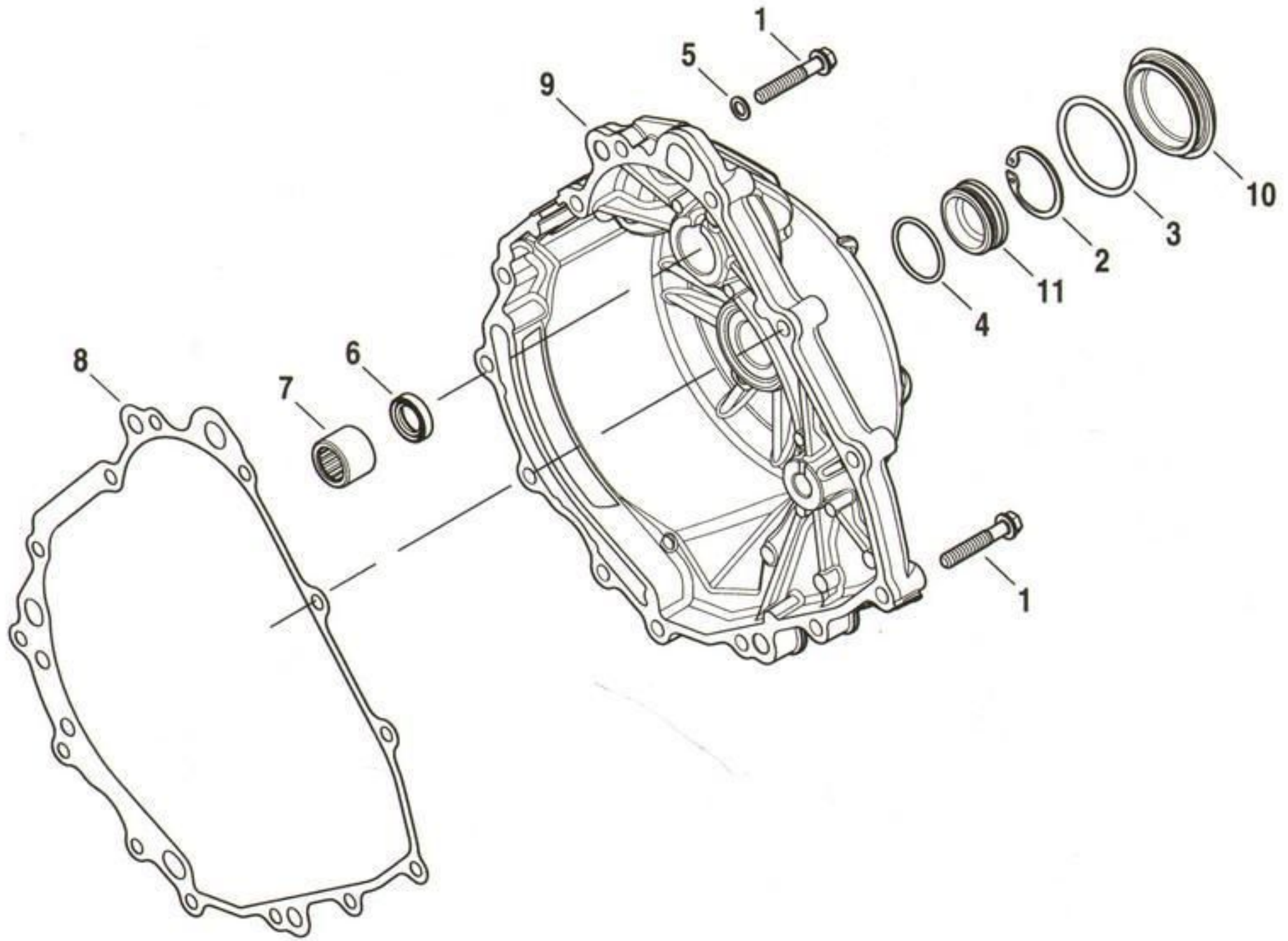
INDEX NO.	PART NO.	DESCRIPTION	MODEL(S)
1	CA0063.1AM	SCREW (8)	HL/YL
2	CA0064.1AM	SCREW (15)	HL/YL
3	CB0027.1AM	THRUST WASHER	HL/YL
4	CC0004.1AM	NEEDLE PIN (2)	HL/YL
5	CD0020.1AMA	NUT	HL/YL
6	CD0031.1AM	NUT	HL/YL
7	CE0006.1AM	RETAINING RING	HL/YL
8	CF0007.1AMA	O-RING (2)	HL/YL
9	CF0020.1AM	O-RING	HL/YL
10	CF0023.1AM	O-RING	HL/YL
11	CG0009.1AM	COMPRESSION SPRING	HL/YL
12	CJ0001.1AM	SEALING RING	HL/YL
13	CM0004.1AM	CLAMP	HL/YL
14	CN0013.1AMA	CLAMP (3)	HL/YL
15	CN0014.1AM	CLAMP (3)	HL/YL
16	CR0001.1AM	PISTON LINING	HL/YL
17	CR0002.1AM	PISTON LINING	HL/YL
18	M0731.1AM	DECAL, clutch cover plug	HL/YL
19	R0001.1AM	GASKET	HL/YL
20	R0009.1AM	GASKET	HL/YL
21	R0022.1AM	CLUTCH COVER ASSEMBLY, w/ needle bushing & oil seal (See WATER PUMP pages for more information on assembly)	HL/YL
22	R0027.1AM	COVER, diaphragm, inner	HL/YL
23	R1029A.1AM	DIAPHRAGM RING ASSEMBLY, w/ M0731.1AM, R1028.1AM, X0073.1AM	HL/YL
24	R1028.1AM	PLUG, w/ CF0020.1AM	HL/YL
25	X0060.1AM	HOSE, low pressure	HL/YL
26	X0069.1AM	DIAPHRAGM	HL/YL
27	X0071.1AM	OUTER DISK PLATE	HL/YL
28	X0072.1AM	INNER DISK PLATE	HL/YL
29	X0073.1AM	VENT VALVE	HL/YL
30	X0074.1AMA	CAP, rubber	HL/YL
31	X0077.1AM	OIL SEAL	HL/YL
32	X0087.1AM	SLEEVE	HL/YL
33	X0170.1AM	HOSE, low pressure (2)	HL/YL
34	X0174.1AM	TEE	HL/YL
35	X1086.1AM	HYDRAULIC PISTON, w/ CR0001.1AM & CR0002.1AM	HL/YL

2009 MODEL IDENTIFICATION CODES

HL = 1125R

YL = 1125CR

IGNITION COVER



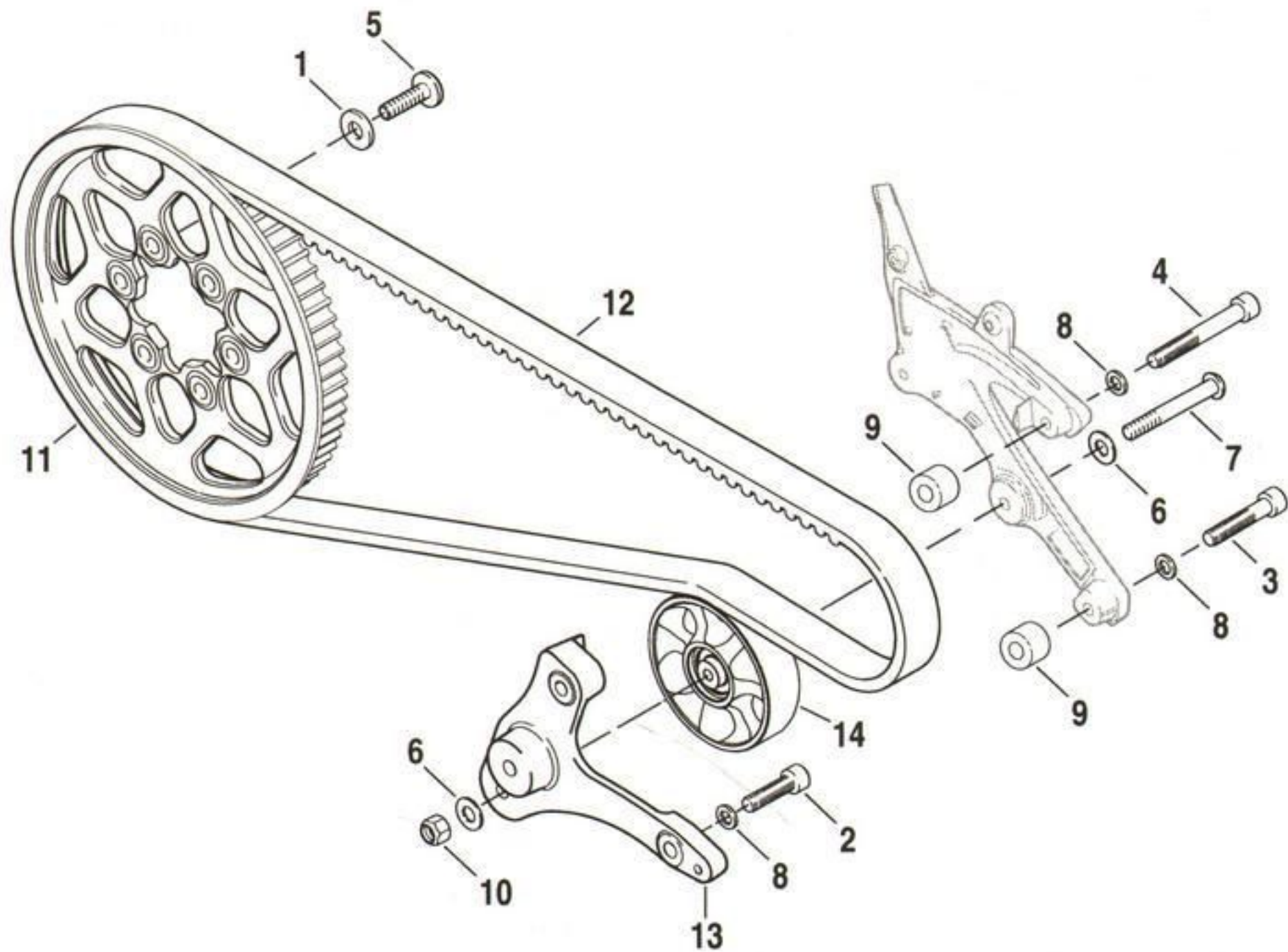
INDEX NO.	PART NO.	DESCRIPTION	MODEL(S)
1	CA0064.1AM	SCREW (13)	HL/YL
2	CE0007.1AM	RETAINING RING	HL/YL
3	CF0010.1AM	O-RING	HL/YL
4	CF0011.1AM	O-RING	HL/YL
5	CJ0001.1AM	SEALING RING	HL/YL
6	CJ0002.1AM	OIL SEAL	HL/YL
7	E0016.1AM	NEEDLE BUSHING	HL/YL
8	R0008.1AM	GASKET	HL/YL
9	R0026.1AMB	IGNITION COVER ASSEMBLY, w/ CJ0002.1AM & E0016.1AM	HL/YL
10	R1021.1AM	PLUG, w/ CF0010.1AM	HL/YL
11	U1014.1AM	SEALING SLEEVE, w/ CF0011.1AM	HL/YL

2009 MODEL IDENTIFICATION CODES

HL = 1125R

YL = 1125CR

BELT & SPROCKET



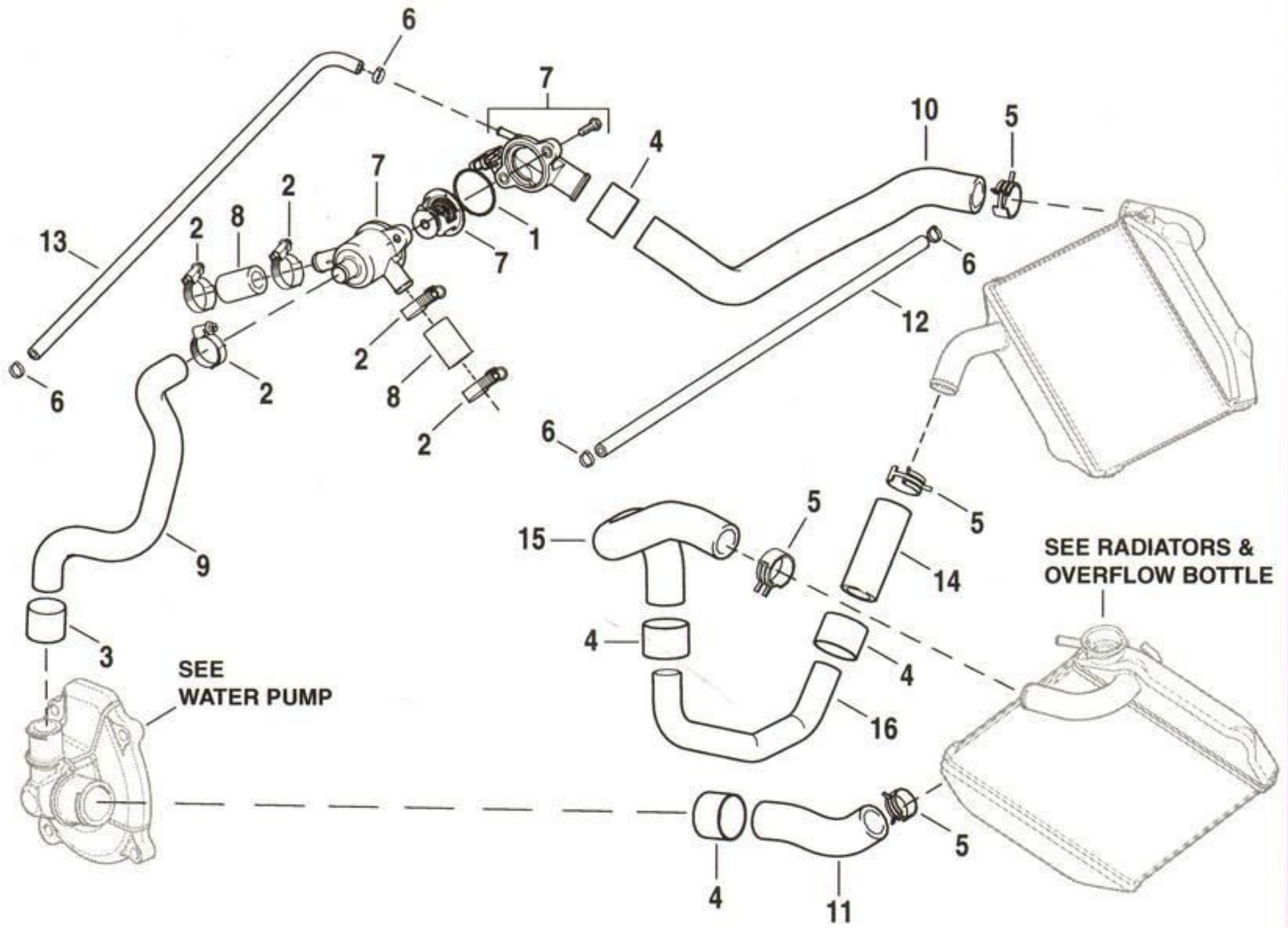
INDEX NO.	PART NO.	DESCRIPTION	MODEL(S)
1	6400HB	WASHER (6)	HL/YL
2	A08030.2CVB	SCREW	HL/YL
3	A08045.2CCVB	SCREW	HL/YL
4	A08070.2CVB	SCREW	HL/YL
5	AA0609.11CXZB	SCREW (6)	HL/YL
6	BA0511.2Z	WASHER (2)	HL/YL
7	CA0020.02A8	BOLT	HL/YL
8	CB0002.9A7	WASHER (3)	HL/YL
9	CH0007.1AM	SPACER, rider footrest mount (2)	HL/YL
10	DA0500.2CZ	LOCKNUT	HL/YL
11	G0400.1AMD	REAR SPROCKET, 70T	HL
	G0400.1ATB	REAR SPROCKET, 76T	YL
12	G0500.1AMF	DRIVE BELT, 145T	HL
	G0500.1ATA	DRIVE BELT, 149T	YL
13	G0603.1AMD	BRACKET, idler pulley	HL
	G0603.1ATZT	BRACKET, idler pulley	YL
14	G0614.02A8D	WHEEL, idler pulley	HL/YL

2009 MODEL IDENTIFICATION CODES

HL = 1125R

YL = 1125CR

COOLANT HOSES



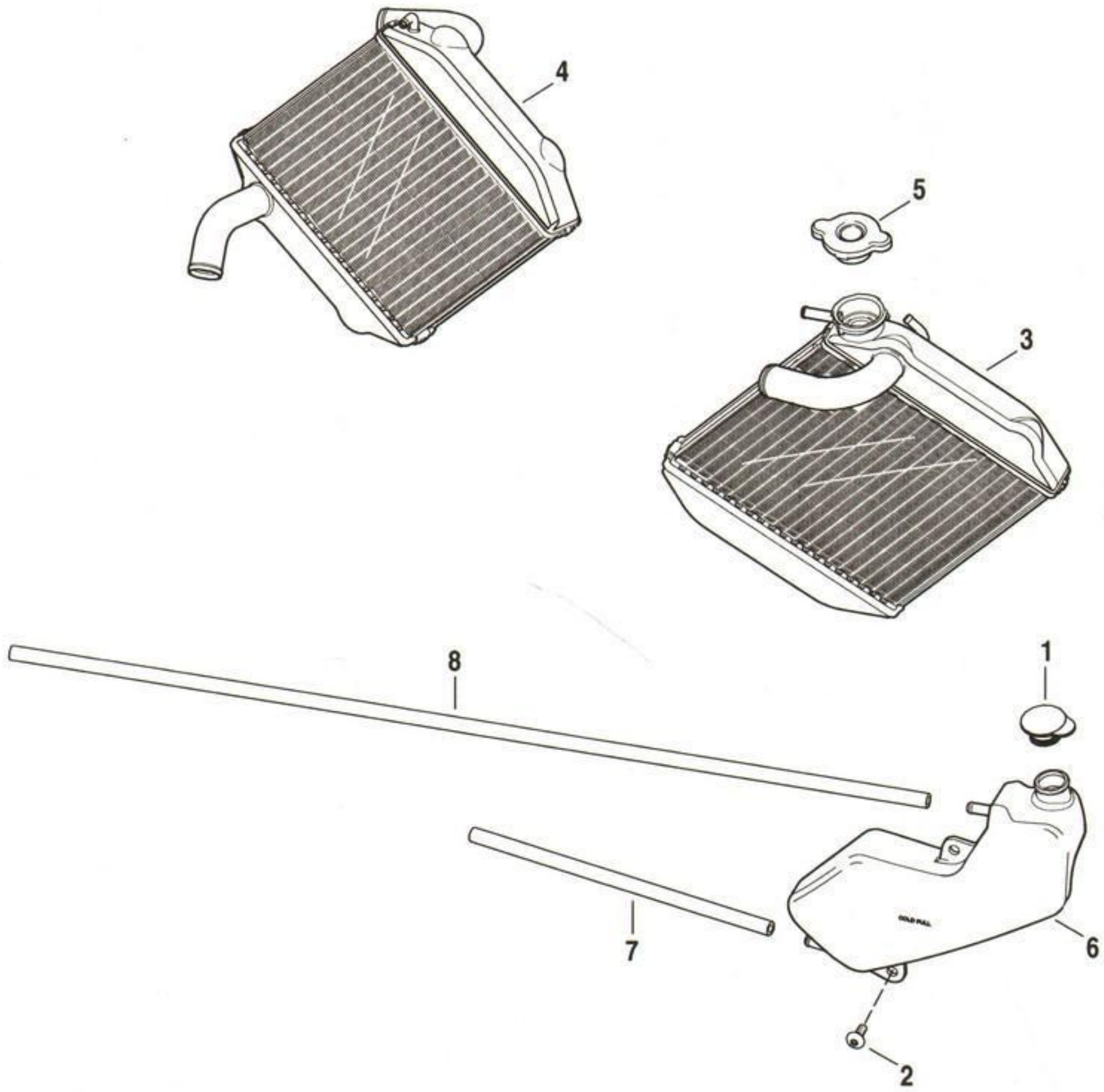
INDEX NO.	PART NO.	DESCRIPTION	MODEL(S)
1	CF0019.1AM	O-RING	HL/YL
2	CN0005.1AM	CLAMP (5)	HL/YL
3	CN0009.1AM	HOSE CLAMP	HL/YL
4	CN0010.1AM	HOSE CLAMP (4)	HL/YL
5	CN0011.1AM	HOSE CLAMP (4)	HL/YL
6	Q0123.0	CLAMP (4)	HL/YL
7	Q0222.1AMA	THERMOSTAT & HOUSING	HL/YL
8	Q0224.1AM	HOSE, cylinder-to-thermostat (2)	HL/YL
9	Q0225.1AM	HOSE, thermostat-to-pump	HL/YL
10	Q0226.1AMB	HOSE, thermostat-to-left radiator	HL/YL
11	Q0233.1AMA	HOSE	HL/YL
12	Q0236.1AM	HOSE	HL/YL
13	Q0237.1AM	HOSE, thermostat bleed	HL/YL
14	Q0238.1AM	HOSE	HL/YL
15	Q0239.1AM	HOSE	HL/YL
16	Q0240.1AM	CROSSOVER TUBE	HL/YL

2009 MODEL IDENTIFICATION CODES

HL = 1125R

YL = 1125CR

RADIATORS & OVERFLOW BOTTLE



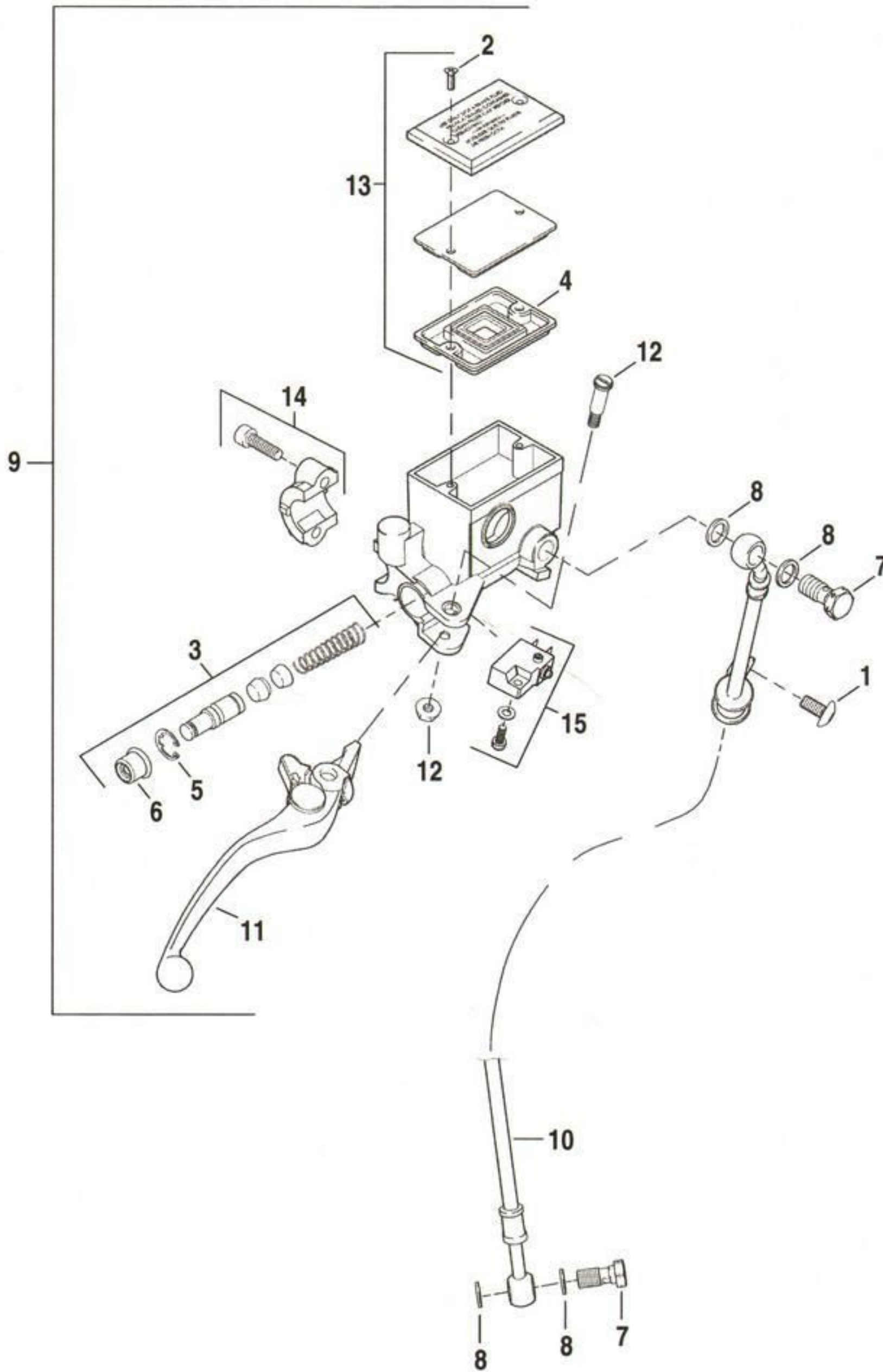
INDEX NO.	PART NO.	DESCRIPTION	MODEL(S)
1	26780-05A	CAP	HL/YL
2	CA0030.1AMA	SCREW (2)	HL/YL
3	Q0021.1AMA	RADIATOR, right w/ Q0068.1AM	HL/YL
4	Q0022.1AMA	RADIATOR, left	HL/YL
5	Q0068.1AM	PRESSURE CAP	HL/YL
6	Q0070.1AM	OVERFLOW TANK ASSEMBLY, w/ Q0234.1AM & Q0235.1AM	HL/YL
7	Q0234.1AM	HOSE, overflow in	HL/YL
8	Q0235.1AM	HOSE, overflow out	HL/YL

2009 MODEL IDENTIFICATION CODES

HL = 1125R

YL = 1125CR

FRONT BRAKE CONTROL



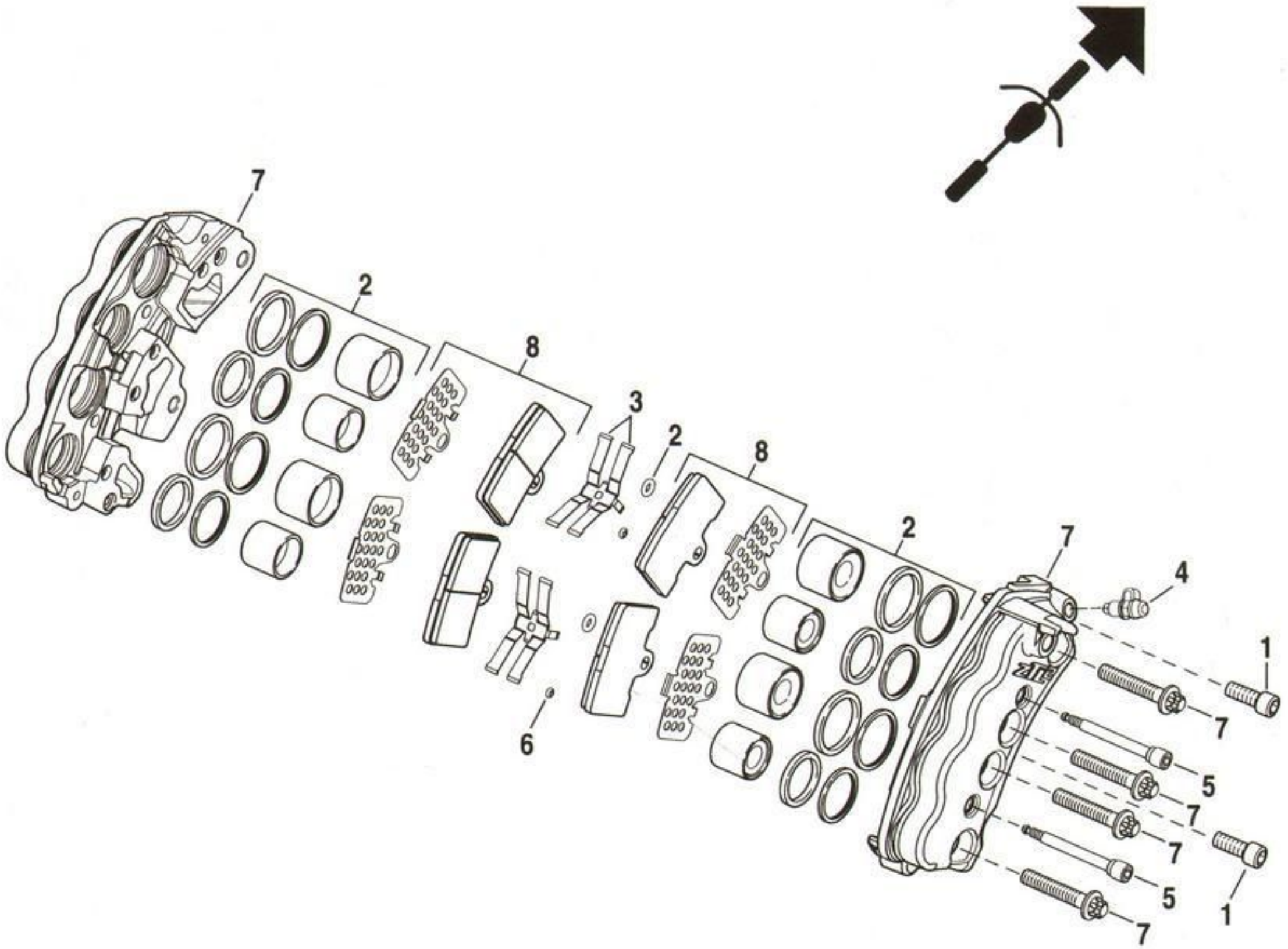
INDEX NO.	PART NO.	DESCRIPTION	MODEL(S)
1	CA0023.1AM	SCREW	HL/YL
2	CA0200.R	SCREW (2)	HL/YL
3	H0020.1AM	PISTON SET, cylinder	HL/YL
4	H0035.9	COVER, diaphragm	HL/YL
5	H0054.9	CIRCLIP	HL/YL
6	H0055.9	BOOT, piston	HL/YL
7	H0405.9B	BANJO BOLT (2)	HL/YL
8	H0412.01A0	WASHER (4)	HL/YL
9	H0507.1AMC	MASTER CYLINDER, w/ 3, 11, 12, 13, 14 & 15	HL/YL
10	H1531.1AMA	BRAKE LINE, front w/ H0405.9B & H0412.01A0	HL/YL
11	H1508.1AM	LEVER KIT, front brake w/ N0203.9	HL/YL
12	N0203.9	PIVOT BOLT KIT	HL/YL
13	N0210.R	CAP SET	HL/YL
14	N0259.9	CLAMP	HL/YL
15	Y0820.9	SWITCH KIT, brake lever	HL/YL

2009 MODEL IDENTIFICATION CODES

HL = 1125R

YL = 1125CR

FRONT BRAKE CALIPER



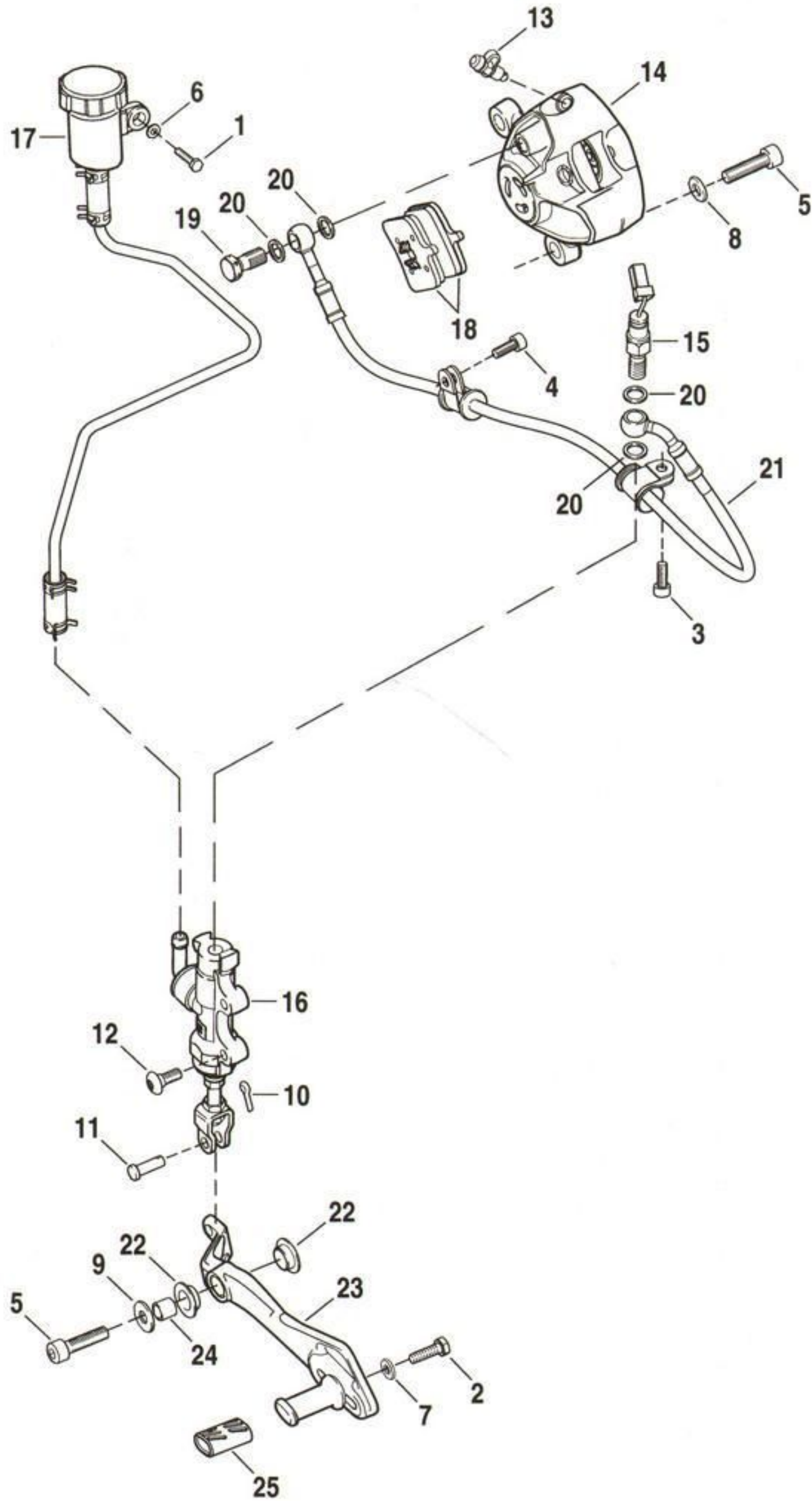
INDEX NO.	PART NO.	DESCRIPTION	MODEL(S)
1	AA0608.2CXZB	SCREW, mounting (2)	HL/YL
2	H0020.05AH	PISTON SET, caliper w/ H0032.02A8	HL/YL
3	H0021.05AH	SPRING	HL/YL
4	H0022.F	BLEEDER SCREW	HL/YL
5	H0026.05AH	PIN, caliper w/ H0032.02A8	HL/YL
6	H0032.02A8	STOPPER	HL/YL
7	H0110.1AMAXT	BRAKE CALIPER ASSEMBLY, front w/ 2, 3, 4, 5, 6 & 8 (piranha black)	HL
	H0110.1AMAYDD	BRAKE CALIPER ASSEMBLY, front w/ 2, 3, 4, 5, 6 & 8 (piranha red)	YL
8	H0300.1AMB	BRAKE PAD SET, w/ H0032.02A8	HL/YL

2009 MODEL IDENTIFICATION CODES

HL = 1125R

YL = 1125CR

REAR BRAKE CONTROL & CALIPER



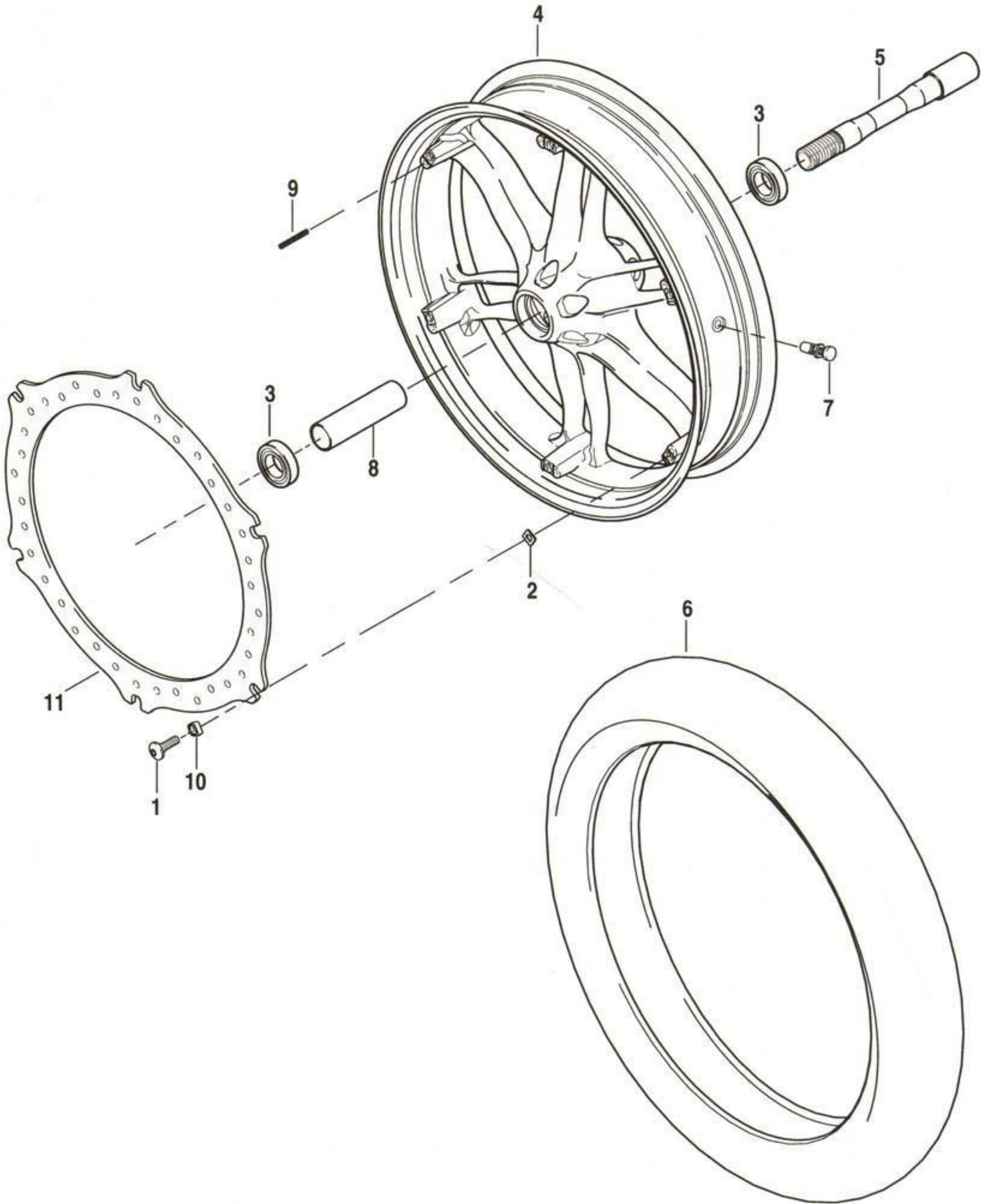
INDEX NO.	PART NO.	DESCRIPTION	MODEL(S)
1	A04020.24CVB	SCREW	HL/YL
2	A06020.1CBL	BOLT	HL/YL
3	A06020.2CVB	BOLT	HL/YL
4	A08020.2CVB	SCREW	HL/YL
5	A08030.2CVB	SCREW (2)	HL/YL
6	B0409.1BL	WASHER	HL/YL
7	B0613.1BL	WASHER	HL/YL
8	B0816.2BL	WASHER (2)	HL/YL
9	B0820.2BL	WASHER	HL/YL
10	C0148.T	COTTER PIN	HL/YL
11	C0232.TA	CLEVIS PIN	HL/YL
12	CA0030.1AMA	SCREW (2)	HL/YL
13	H0022.F	BLEEDER SCREW	HL/YL
14	H0102.1AM	CALIPER ASSEMBLY, w/ H0022.F & H0301.1AM	HL/YL
15	H0203.1AM	SWITCH, brake light	HL/YL
16	H0205.1AM	MASTER CYLINDER	HL/YL
17	H0206.1AM	RESERVOIR & HOSE ASSEMBLY	HL/YL
18	H0301.1AM	BRAKE PAD SET	HL/YL
19	H0405.9B	BANJO BOLT	HL/YL
20	H0412.01A0	WASHER (4)	HL/YL
21	H1522.1AMA	BRAKE LINE, rear w/ 15, 19 & 20	HL/YL
22	N0513.T	BEARING (2)	HL/YL
23	N0530.1AM	BRAKE PEDAL ASSEMBLY, w/ 2, 7, 22 & 25	HL/YL
24	N0599.02A8A	SLEEVE	HL/YL
25	N0600.1AM	TOEPEG, rubber	HL/YL

2009 MODEL IDENTIFICATION CODES

HL = 1125R

YL = 1125CR

FRONT WHEEL



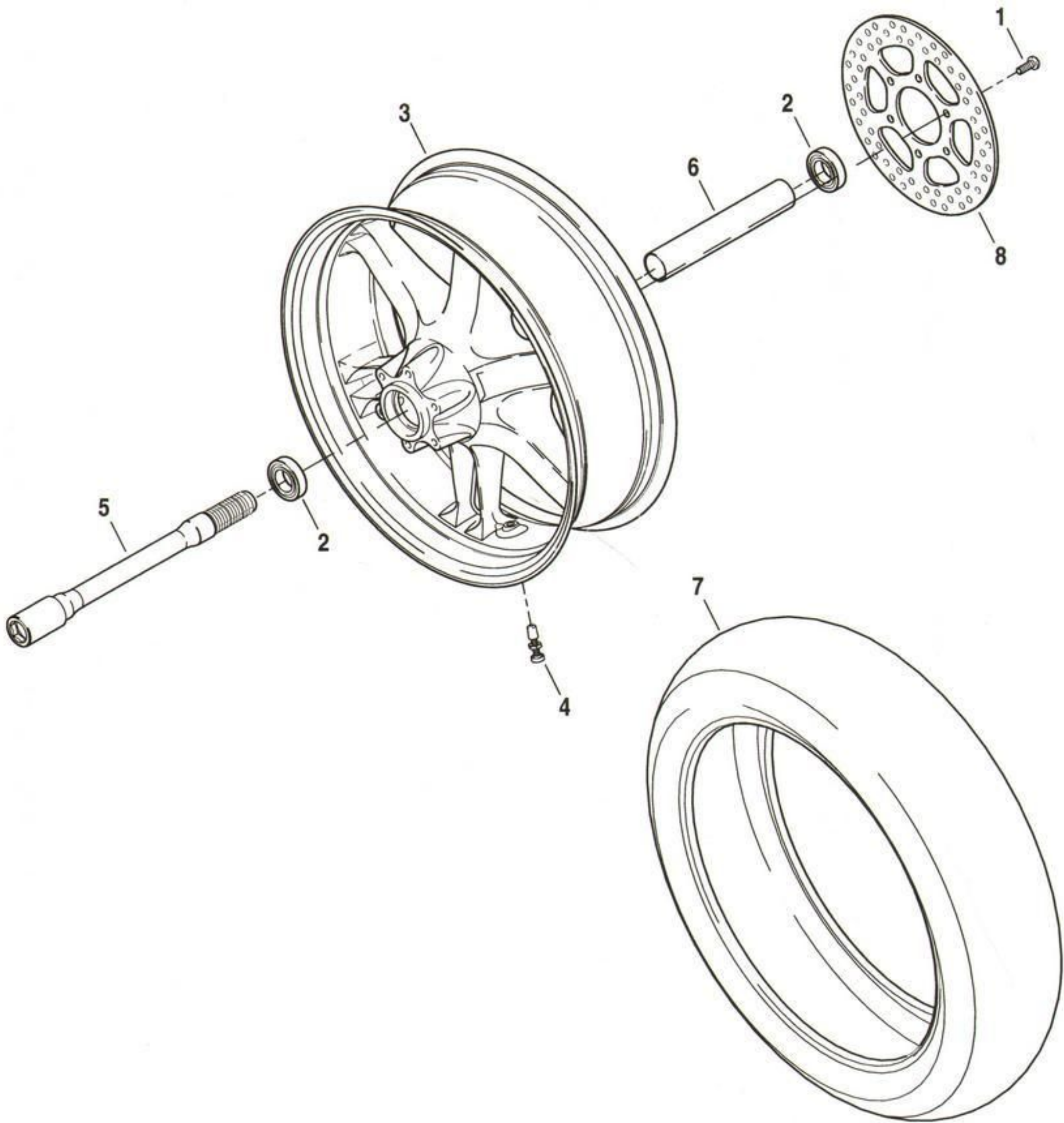
INDEX NO.	PART NO.	DESCRIPTION	MODEL(S)
1	CA0014.02A8	BOLT, front rotor (6)	HL/YL
2	CB0006.02A8	WASHER, drive bushing (6)	HL/YL
3	E0004.02A8B	BEARING (2)	HL/YL
4	G0110.02A8AYBX	WHEEL ASSEMBLY, front (hero blue), w/o bearings & sleeve	HL
	G0110.02A8AYCX	WHEEL ASSEMBLY, front (piranha black), w/o bearings & sleeve	HL
	G0110.02A8AYDC	WHEEL ASSEMBLY, front (piranha black w/ red pinstripe), w/o bearings & sleeve	YL
5	G0120.02A8B	AXLE, front	HL/YL
6	G0150.1AMB	TIRE, front	HL/YL
7	G0313.02A8	VALVE STEM ASSEMBLY, w/ cap	HL/YL
8	G0325.02A8	AXLE SPACER, front	HL/YL
9	H0505.02A8	SPRING, front rotor (6)	HL/YL
10	H0506.02A8B	DRIVE BUSHING, front rotor mount (6)	HL/YL
11	H1201.02A8A	BRAKE ROTOR KIT, front w/ rotor, bolts, bushings, springs & washers	HL/YL

2009 MODEL IDENTIFICATION CODES

HL = 1125R

YL = 1125CR

REAR WHEEL



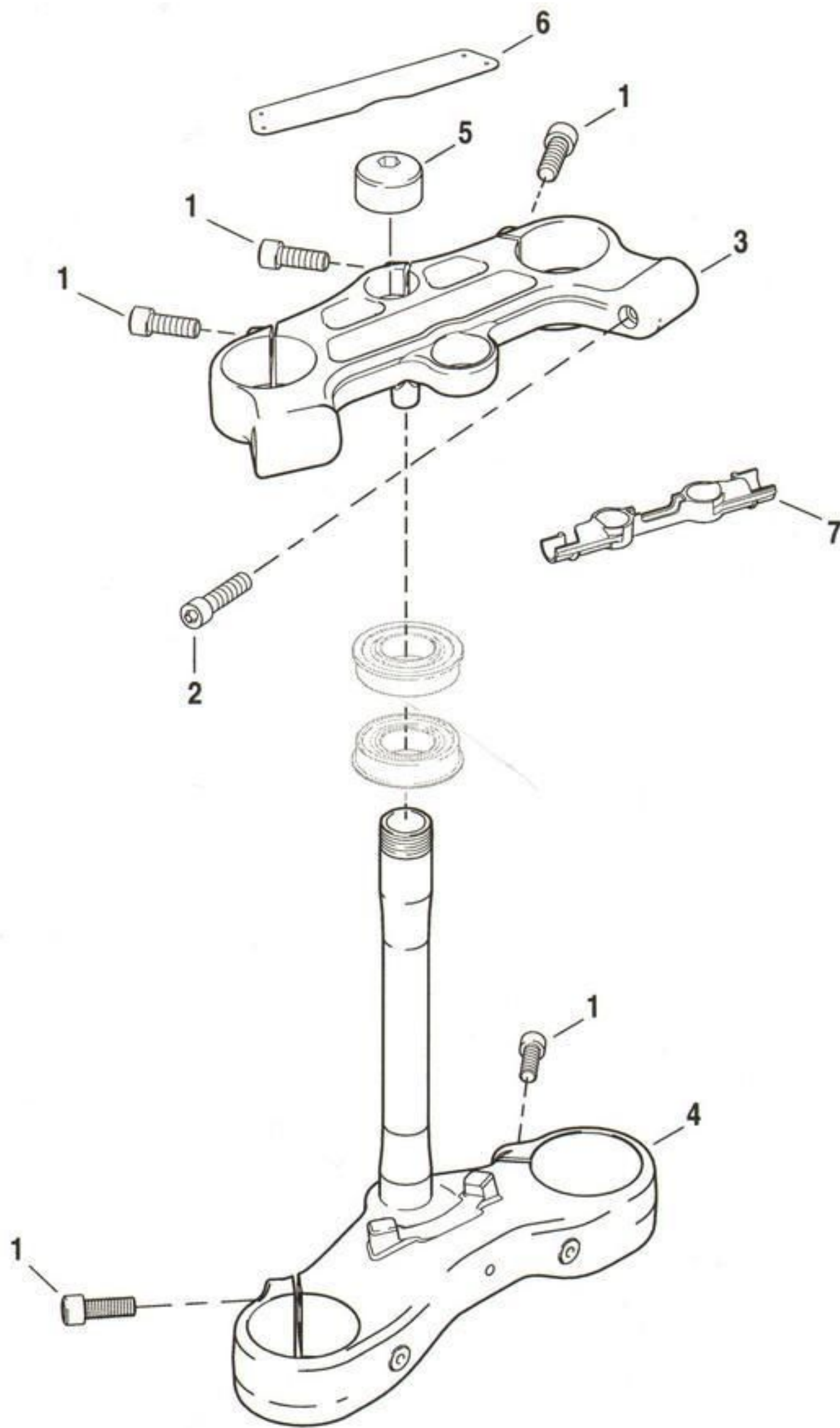
INDEX NO.	PART NO.	DESCRIPTION	MODEL(S)
1	CA0005.9A7	BOLT, rear brake rotor (6)	HL/YL
2	E0005.02A8B	WHEEL BEARINGS (2)	HL/YL
3	G0309.02A8AYBX	WHEEL ASSEMBLY, rear (hero blue), w/o bearings & sleeve	HL
	G0309.02A8AYCX	WHEEL ASSEMBLY, rear (piranha black), w/o bearings & sleeve	HL
	G0309.02A8AYDC	WHEEL ASSEMBLY, rear (piranha black w/ red pinstripe), w/o bearings & sleeve	YL
4	G0313.02A8	VALVE STEM ASSEMBLY, w/ cap	HL/YL
5	G0321.1AMA	AXLE, rear	HL/YL
6	G0323.02A8	AXLE SPACER, rear	HL/YL
7	G0350.1AMB	TIRE, rear	HL/YL
8	H0150.02A8A	BRAKE ROTOR, rear	HL/YL

2009 MODEL IDENTIFICATION CODES

HL = 1125R

YL = 1125CR

STEERING HEAD - 1125R



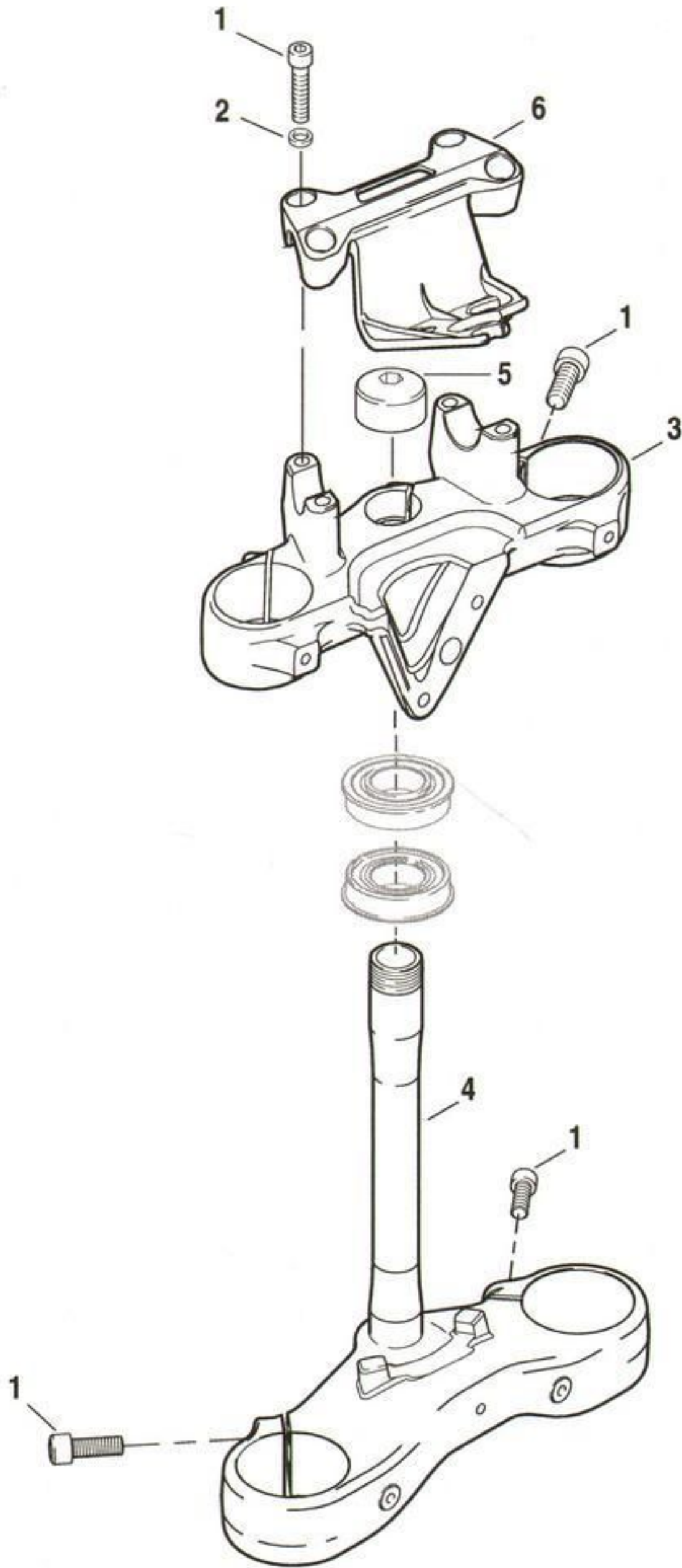
INDEX NO.	PART NO.	DESCRIPTION	MODEL(S)
1	A08030.2CVB	SCREW (7)	HL
2	AA0508.2CXZB	SCREW (2)	HL
3	J0105.1AMBYCP	TRIPLE CLAMP, upper	HL
4	J0106.1ATXT	TRIPLE CLAMP, lower	HL
5	J0135.02A8A	NUT	HL
6	M0689.2AM	GRAPHIC, upper triple clamp	HL
7	Y1019.1AM	WIRE GUIDE, upper triple clamp	HL

2009 MODEL IDENTIFICATION CODES

HL = 1125R

YL = 1125CR

STEERING HEAD - 1125CR



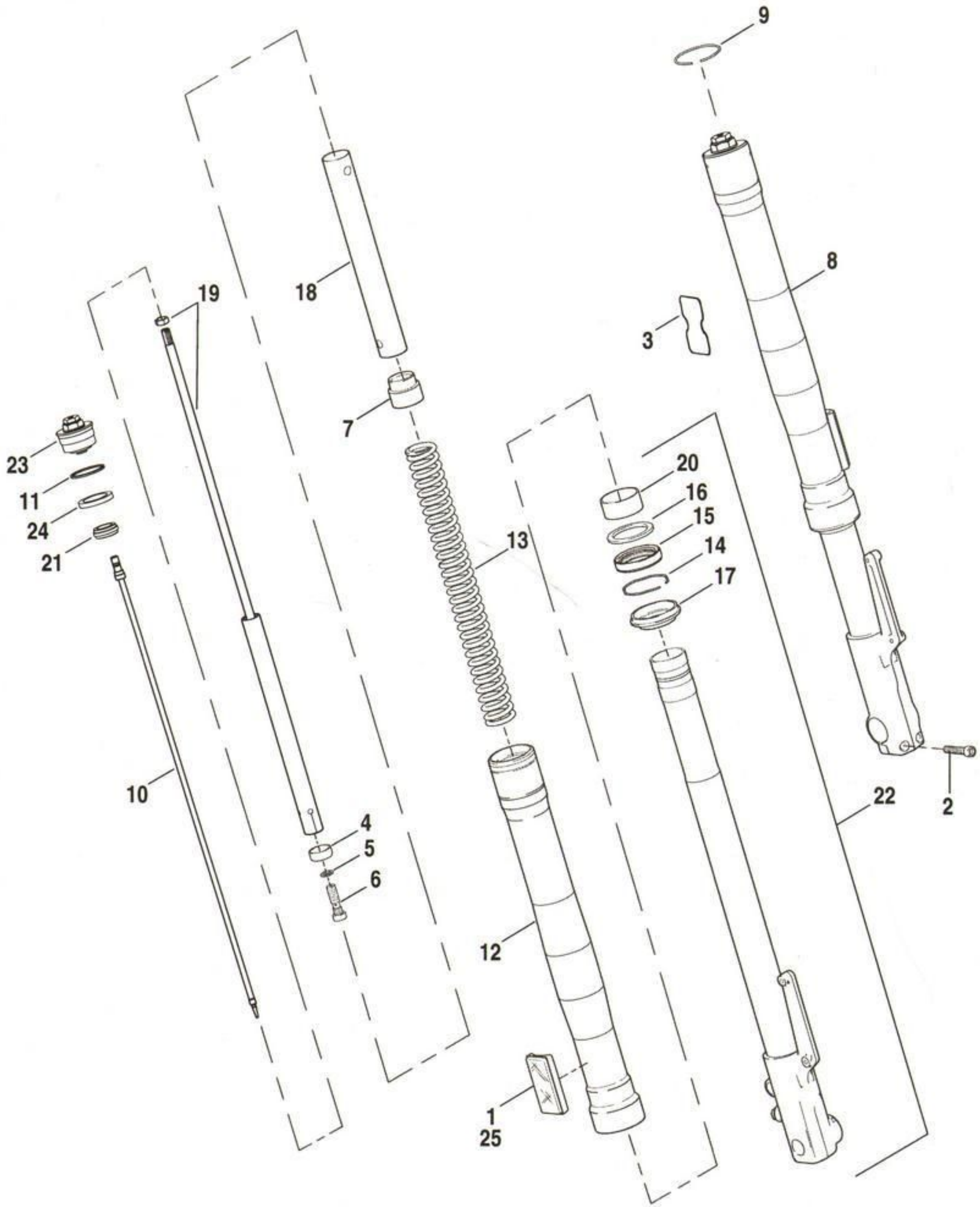
INDEX NO.	PART NO.	DESCRIPTION	MODEL(S)
1	A08030.2CVB	SCREW (11)	YL
2	CB0002.9A7	WASHER (4)	YL
3	J0105.1ATYCX	TRIPLE CLAMP, upper	YL
4	J0106.1ATXT	TRIPLE CLAMP, lower	YL
5	J0135.02A8A	NUT	YL
6	N0348.1ATYCX	HANDLEBAR CLAMP	YL

2009 MODEL IDENTIFICATION CODES

HL = 1125R

YL = 1125CR

FRONT FORK



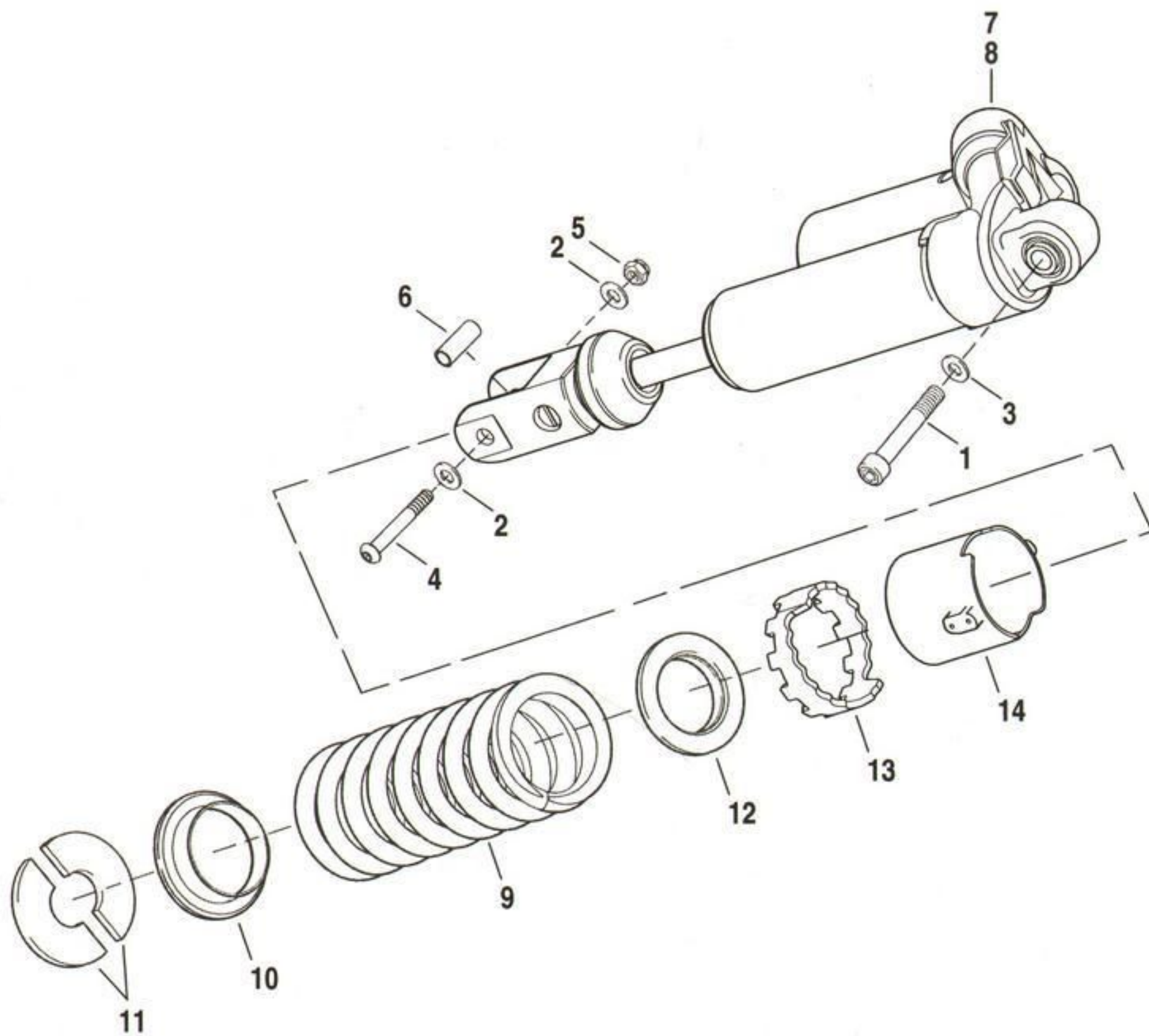
INDEX NO.	PART NO.	DESCRIPTION	MODEL(S)
1	59256-84A	REFLECTOR, amber (2)	HL/YL
2	A08035.2CVB	SCREW, axle (4)	HL/YL
3	C0440.1AT	TAPE, right fork (2)	HL/YL
4	J0114.02A8	CENTERING PLATE (2)	HL/YL
5	J0115.02A8	WASHER, fork (2)	HL/YL
6	J0116.02A8	BOLT, center (2)	HL/YL
7	J8117.3AK	SPRING JOINT, fork (2)	HL/YL
8	J0121.1AMB	FRONT FORK ASSEMBLY, left w/ 4, 5, 6, 7, 10, 12, 13, 18, 19, 21, 22, 23 & 24	HL
	J0121.1AT	FRONT FORK ASSEMBLY, left w/ 4, 5, 6, 7, 10, 12, 13, 18, 19, 21, 22, 23 & 24	YL
	J0122.1AMB	FRONT FORK ASSEMBLY, right w/ 4, 5, 6, 7, 10, 12, 13, 18, 19, 21, 22, 23 & 24	HL
	J0122.1AT	FRONT FORK ASSEMBLY, right w/ 4, 5, 6, 7, 10, 12, 13, 18, 19, 21, 22, 23 & 24	YL
9	J0124.02A8	STOPPER RING (2)	HL/YL
10	J8103.1AMA	PUSH ROD, fork (2)	HL/YL
11	J8104.3AK	O-RING, fork (2)	HL/YL
12	J8107.1AMA	OUTER TUBE (2)	HL
	J8107.1AT	OUTER TUBE (2)	YL
13	J8113.1AMB	SPRING, fork (2)	HL/YL
14	J8126.3AK	OIL SEAL STOPPER RING (2)	HL/YL
15	J8127.3AK	OIL SEAL (2)	HL/YL
16	J8128.3AK	SEAL SPACER (2)	HL/YL
17	J8130.3AK	DUST SEAL (2)	HL/YL
18	J8135.1AMA	SPRING COLLAR, fork (2)	HL/YL
19	J8139.1AMB	DAMPER ASSEMBLY, includes rebound adjuster assembly, damper locknut, damper assembly (2)	HL/YL
20	J8140.3AK	GUIDE BUSHING (2)	HL/YL
21	J8141.02A8	SLIDER PISTON (2)	HL/YL
22	J8142.1AMA	SLIDER COMPONENT, left fork w/ 14, 15, 16, 17 & 20	HL
	J8142.1AT	SLIDER COMPONENT, left fork w/ 14, 15, 16, 17 & 20	YL
	J8143.1AMA	SLIDER COMPONENT, right fork w/ 14, 15, 16, 17 & 20	HL
	J8143.1AT	SLIDER COMPONENT, right fork w/ 14, 15, 16, 17 & 20	YL
23	J8144.1AMA	PRELOAD ADJUSTMENT ASSEMBLY, w/ J8104.3AK	HL
	J8144.1AT	PRELOAD ADJUSTMENT ASSEMBLY, w/ J8104.3AK	YL
24	J8146.3AK	SEAT, rubber (2)	HL/YL
25	M0106.02A8A	REFLECTOR ASSEMBLY, amber (2)	HL/YL

2009 MODEL IDENTIFICATION CODES

HL = 1125R

YL = 1125CR

REAR SHOCK ABSORBER



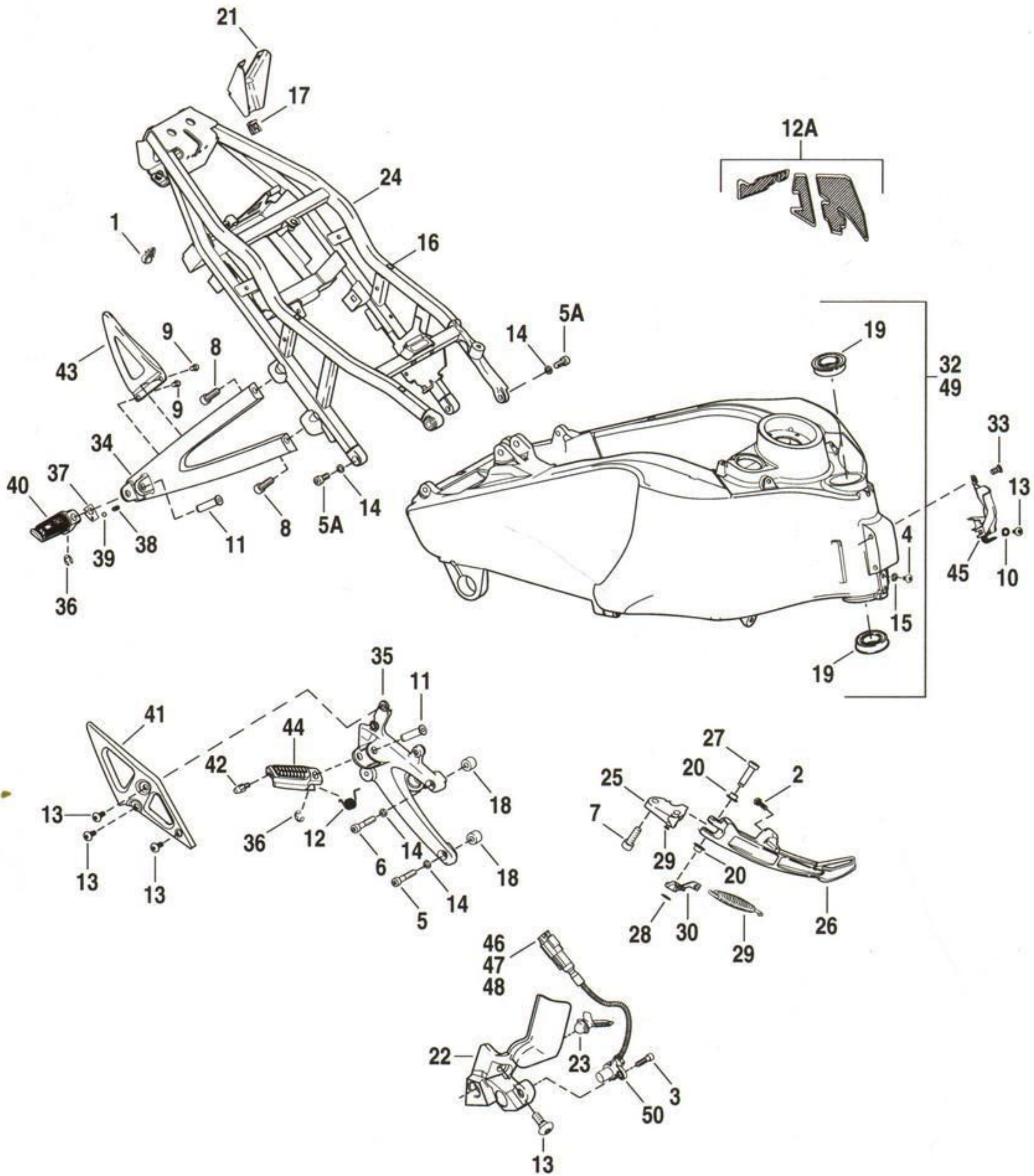
INDEX NO.	PART NO.	DESCRIPTION	MODEL(S)
1	A10085.2CCVB	SCREW	HL/YL
2	BA0511.2Z	WASHER (2)	HL/YL
3	B1020.2BL	WASHER	HL/YL
4	CA0020.02A8	BOLT	HL/YL
5	DA0500.10CZ	LOCKNUT	HL/YL
6	K0402.02A8A	SLEEVE, rear shock mount	HL/YL
7	K0410.1AMB	REAR SHOCK, w/ 8, 9, 10, 11, 12, 13, 14	HL/YL
8	K0423.1AMB	SHOCK BODY, w/ reservoir	HL/YL
9	K0424.1AMA	SPRING	HL/YL
10	K0426.02A8	SPRING SEAT	HL/YL
11	K0427.02A8	SPRING SEAT STOPPER	HL/YL
12	K0428.1AMA	SPRING SEAT	HL/YL
13	K0440.1AMA	SPRING ADJUSTER	HL/YL
14	K0441.1AMA	PIPE GUIDE	HL/YL

2009 MODEL IDENTIFICATION CODES

HL = 1125R

YL = 1125CR

FRAME



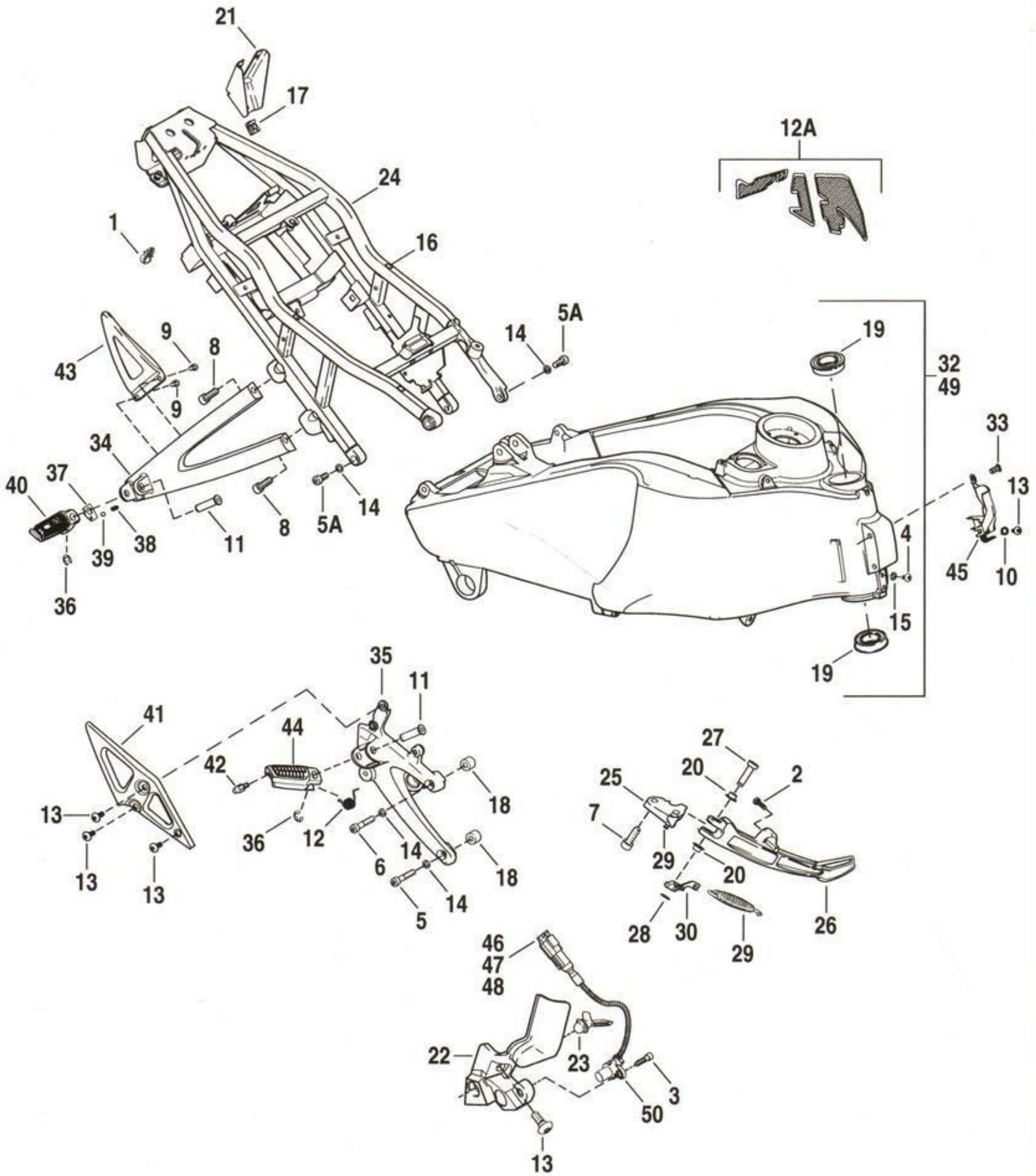
INDEX NO.	PART NO.	DESCRIPTION	MODEL(S)
1	70345-84	RETAINER, harness (2)	HL/YL
2	A06010.1CCBL	SCREW	HL/YL
3	A06020.2CVB	BOLT	HL/YL
4	A06030.19CXSS	SCREW	HL/YL
5	A08020.2CVB	SCREW	HL/YL
5A	A08025.2CXVB	SCREW (2)	HL/YL
6	A08045.2CCVB	SCREW (3)	HL/YL
7	A10030.2CXCVB	SCREW	HL/YL
8	AA0608.2CXZB	SCREW (4)	HL/YL
9	AN1004.21FRZB	SCREW (4)	HL/YL
10	B0814.4BL	WASHER (black chromate)	YL
11	C0235.02A8	PIN, footpeg (4)	HL/YL
12	C0249.02A8	SPRING, rider footpeg, right	HL/YL
	C0250.02A8	SPRING, rider footpeg, left (not shown)	HL/YL
12A	C1580.2AM	PAD, insulation	HL/YL
13	CA0030.1AMA	SCREW (6)	HL/YL
14	CB0002.9A7	WASHER (8)	HL/YL
15	CB0036.1AM	LOCK WASHER	HL/YL
16	CD0021.1AM	RIVNUT (7)	HL/YL
17	CD0029.1AM	NUT, speed clip	HL/YL
18	CH0007.1AM	SPACER, rider footrest mount (4)	HL/YL
19	E0002.1AM	BEARING (2)	HL/YL
20	E0009.1AMC	BUSHING (2)	HL/YL
21	L0047.1AMXT	BRACKET, license plate support	HL/YL
22	L0052.1AMA	BRACKET, sidestand stop	HL/YL
23	L0058.1AMA	BUMPER, sidestand stop bracket	HL/YL
24	L0090.1AM	SUBFRAME, rear	HL/YL
25	L0152A.1AMB	BRACKET, sidestand	HL/YL
26	L0167.1AMA	SIDESTAND	HL/YL
27	L0174.1AMA	PIN, sidestand pivot	HL/YL
28	L0175.1AM	RETAINING CLIP, pivot pin	HL/YL
29	L0198.1AM	PIN, sidestand bracket	HL/YL
30	L0203.1AMC	PLATE, spring extension	HL/YL
31	L0204.1AM	SPRING	HL/YL
32	L0600.2AMYCX	FRAME/FUEL TANK ASSEMBLY KIT, front, w/ bearing races & labels (DOMESTIC) (See FUEL TANK & PUMP pages for more information on kit)	HL/YL
	L0601.2AMYCX	FRAME/FUEL TANK ASSEMBLY KIT, front, w/ bearing races & labels (CANADA) (See FUEL TANK & PUMP pages for more information on kit)	HL/YL
	L0605.2AMYCX	FRAME/FUEL TANK ASSEMBLY KIT, front, w/ bearing races & labels (CALIFORNIA) (See FUEL TANK & PUMP pages for more information on kit)	HL/YL
33	N0001.B	PLUG (4)	YL
34	N0055.2ADZT	FOOTPEG SUPPORT, passenger, right	HL/YL
	N0054.2ADZT	FOOTPEG SUPPORT, passenger, left (not illustrated)	HL/YL
35	N0401.1AMEZT	FOOTPEG SUPPORT, rider, right	HL/YL
	N0402.1AMEZT	FOOTPEG SUPPORT, rider, left (not illustrated)	HL
	N0402.1ATZT	FOOTPEG SUPPORT, rider, left (not illustrated)	YL
36	N0425.02A8	CLIP, footpeg (4)	HL/YL
37	N0427.02A8A	DETENT PLATE, footpeg, passenger (2)	HL/YL
38	N0428.02A8	SPRING, footpeg, passenger (2)	HL/YL
39	N0429.02A8	BALL, footpeg, passenger (2)	HL/YL

2009 MODEL IDENTIFICATION CODES

HL = 1125R

YL = 1125CR

FRAME



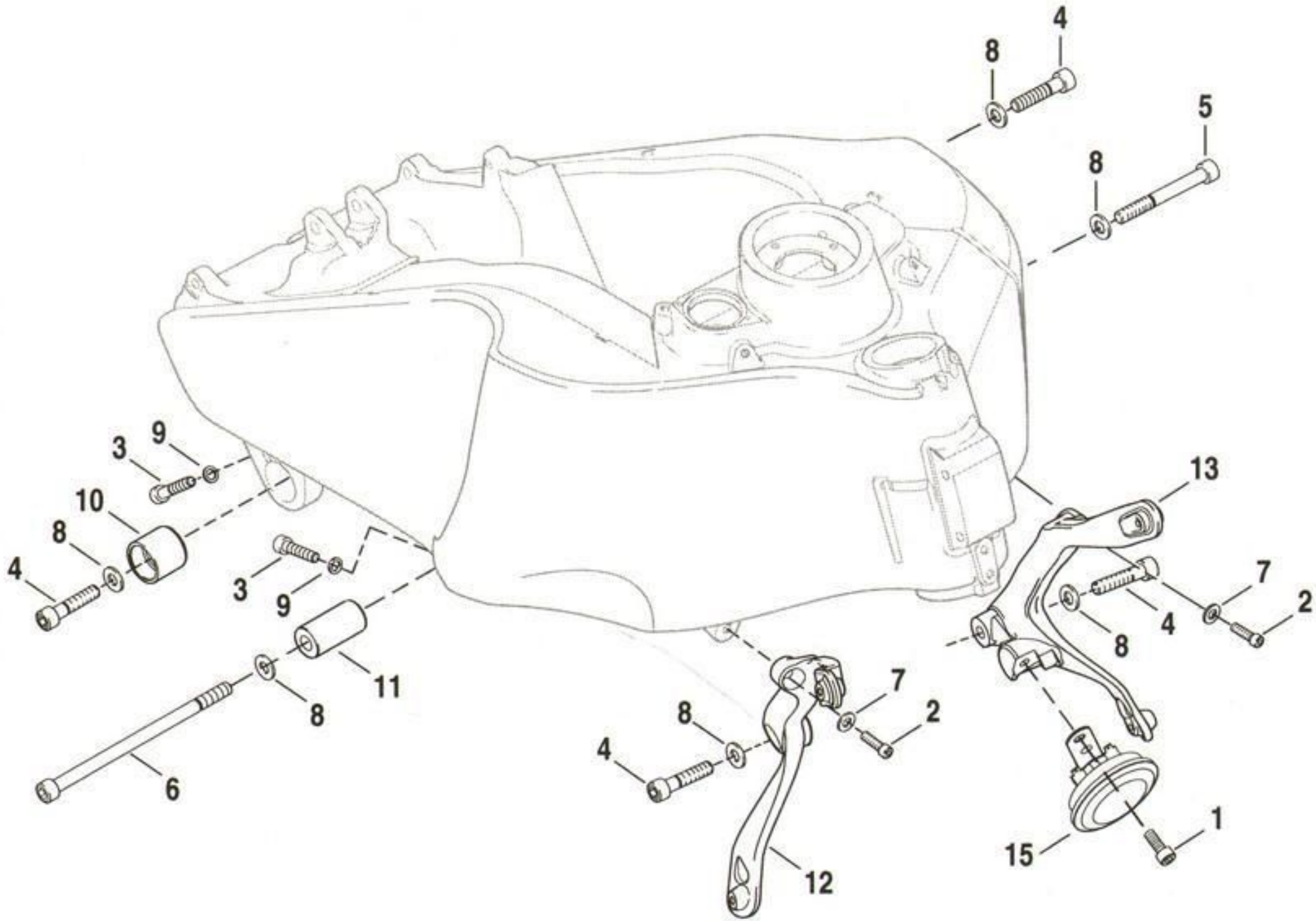
INDEX NO.	PART NO.	DESCRIPTION	MODEL(S)
40	N0553.02A8	FOOTPEG, passenger, right	HL/YL
	N0552.02A8	FOOTPEG, passenger, left (not illustrated)	HL/YL
41	N0555.1AMAZT	HEEL GUARD, rider, right	HL/YL
	N0554.1AMAZT	HEEL GUARD, rider, left (not illustrated)	HL/YL
42	N0623.1AM	WEAR PEG, footpeg (2)	HL/YL
43	N0629.1AMZT	HEEL GUARD, passenger, right	HL/YL
	N0628.1AMZT	HEEL GUARD, passenger, left (not illustrated)	HL/YL
44	N1503.1AM	FOOTPEG KIT, rider, right w/ N0623.1AM	HL/YL
	N1502.1AM	FOOTPEG KIT, rider, left w/ N0623.1AM (not illustrated)	HL/YL
45	Y1000.1AM	BRACKET, front wire harness	HL
	Y1000.1ATA	BRACKET, front wire harness	YL
INTERNATIONAL MODELS ONLY			
46	74103-98BK	HOUSING, 3-way pin (black) (ENGLAND, EUROPE)	HL/YL
47	74143-98	LOCK, 3-way pin (ENGLAND, EUROPE)	HL/YL
48	74191-98	SOCKET, terminal, 16-20 AWG (ENGLAND, EUROPE) (3)	HL/YL
49	L0602.2AMYCX	FRAME/FUEL TANK ASSEMBLY KIT, front, w/ bearing races & labels (ENGLAND, EUROPE, BRAZIL) (See FUEL TANK & PUMP pages for more information on kit)	HL/YL
	L0603.2AMYCX	FRAME/FUEL TANK ASSEMBLY KIT, front, w/ bearing races & labels (AUSTRALIA) (See FUEL TANK & PUMP pages for more information on kit)	HL/YL
	L0608.2AMYCX	FRAME/FUEL TANK ASSEMBLY KIT, front, w/ bearing races & labels (FRANCE) (See FUEL TANK & PUMP pages for more information on kit)	HL/YL
50	Y0800.1AMC	SWITCH, sidestand (ENGLAND, EUROPE, HDI)	HL/YL

2009 MODEL IDENTIFICATION CODES

HL = 1125R

YL = 1125CR

ENGINE MOUNTS



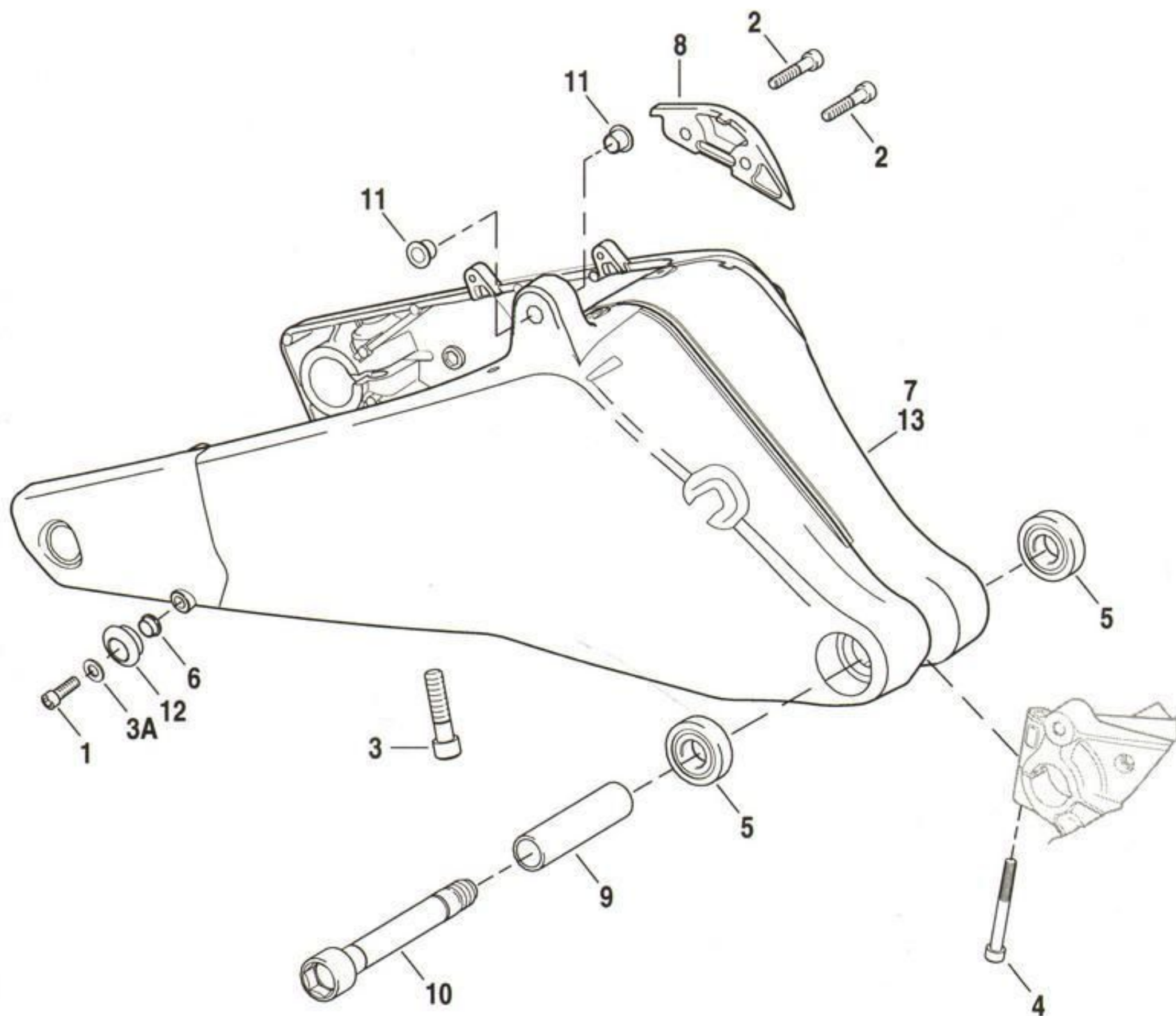
INDEX NO.	PART NO.	DESCRIPTION	MODEL(S)
1	A08020.2CVB	SCREW	HL/YL
2	A08030.2CVB	SCREW (2)	HL/YL
3	A08045.2CCVB	SCREW (2)	HL/YL
4	A10045.2CCVB	SCREW (4)	HL/YL
5	A10085.2CCVB	SCREW	HL/YL
6	A10180.2CCVB	SCREW	HL/YL
7	B0816.2BL	WASHER (2)	HL/YL
8	B1020.2BL	WASHER (6)	HL/YL
9	CB0002.9A7	WASHER (2)	HL/YL
10	L0051.1AM	PINCH SPOOL, right rear	HL/YL
11	L0053.1AM	PINCH SPOOL, right center	HL/YL
12	L0059.1AMA	K-BRACKET, right side	HL/YL
13	L0060.1AMA	K-BRACKET, left side	HL/YL
14	Y0308.TB	HORN	HL/YL

2009 MODEL IDENTIFICATION CODES

HL = 1125R

YL = 1125CR

SWINGARM

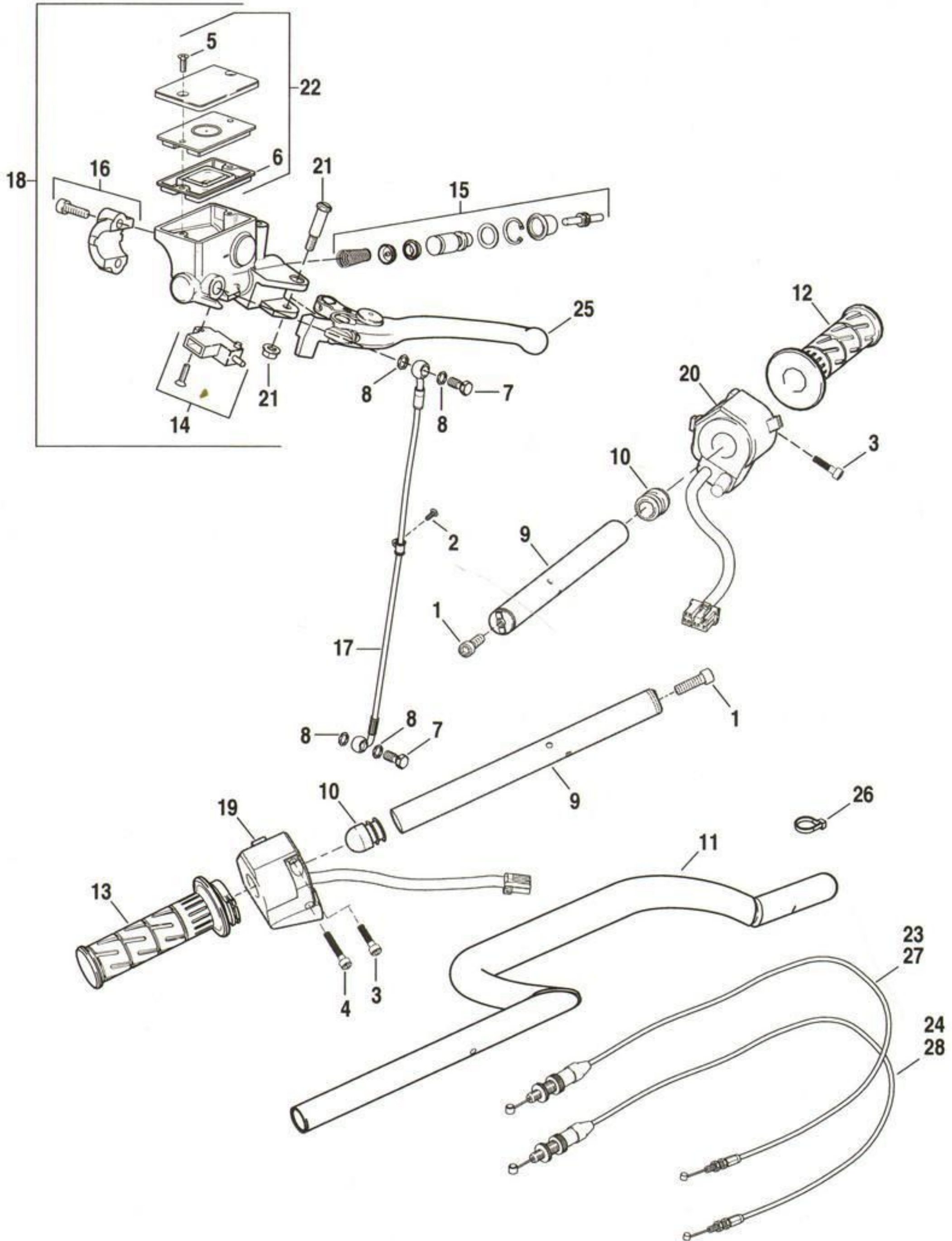


INDEX NO.	PART NO.	DESCRIPTION	MODEL(S)
1	A06020.2CVB	BOLT (2)	HL/YL
2	A08045.2CCVB	SCREW (2)	HL/YL
3	A12050.2CCVB	SCREW	HL/YL
3A	B0613.1BL	WASHER (2)	HL/YL
4	CA0041.1AM	SCREW	HL/YL
5	E0006.02A8	BEARING (2)	HL/YL
6	E0040.1AT	BUSHING (2)	HL/YL
7	K0003.2AMYCX	SWINGARM ASSEMBLY, w/ 5, 9, 11 & label(s) (phantom metallic)	HL
	K0003.1ATYCX	SWINGARM ASSEMBLY, w/ 5, 9, 11 & label(s) (phantom metallic)	YL
8	K0101.1AMAXT	BRACE	HL/YL
9	K0158.1AK	SPACER	HL/YL
10	K0200.1AMB	SHAFT, swingarm pivot	HL/YL
11	K0403.02A8	BUSHING (2)	HL/YL
12	M0142.1AT	SLIDER, rear axle (2)	HL/YL

INTERNATIONAL MODELS ONLY

13	K0007.2AMYCX	SWINGARM ASSEMBLY, w/ 5, 9, 11 & label(s) (AUSTRALIA) (phantom metallic)	HL
	K0007.1ATYCX	SWINGARM ASSEMBLY, w/ 5, 9, 11 & label(s) (AUSTRALIA) (phantom metallic)	YL

HANDLEBARS & HAND CONTROLS



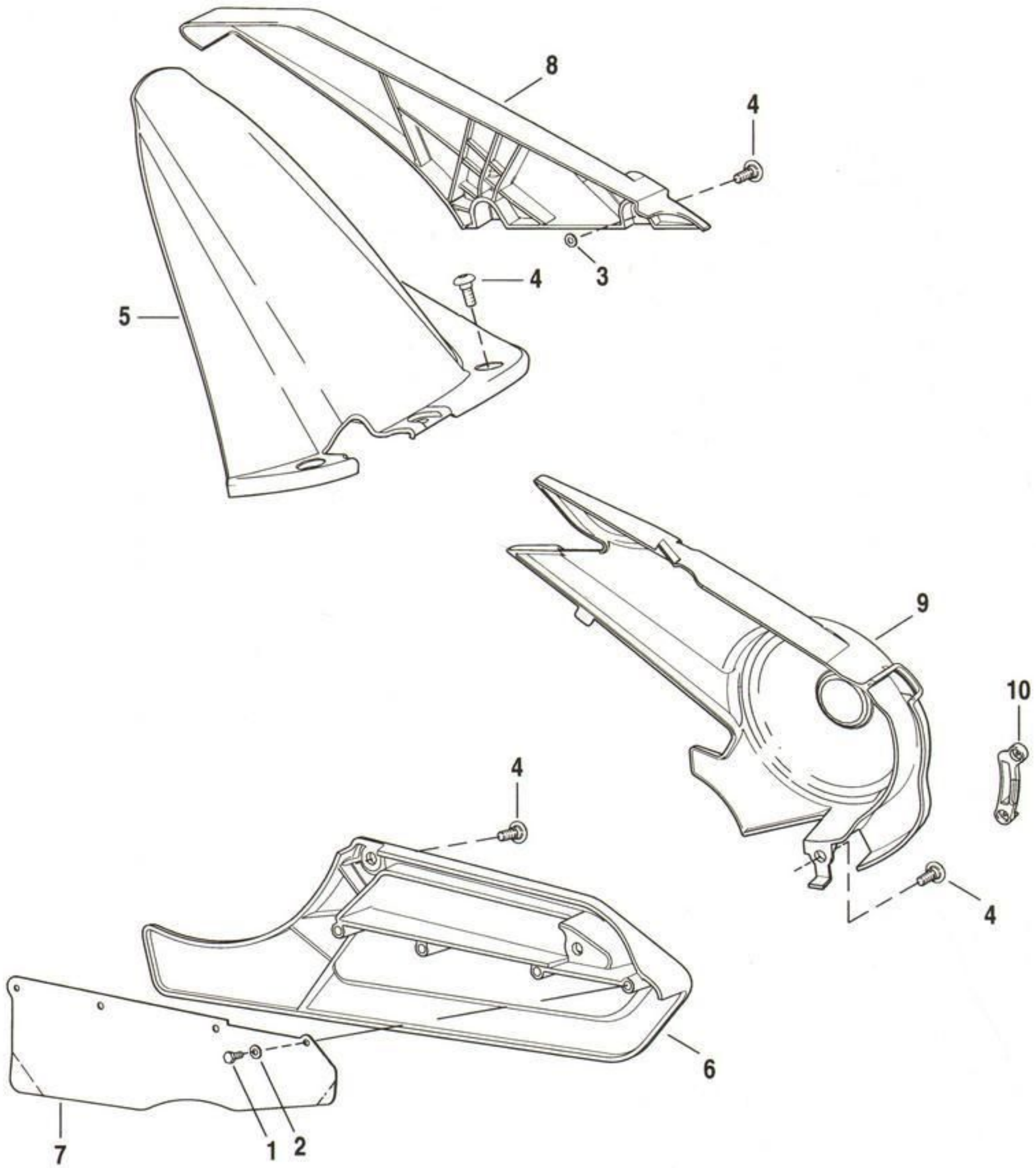
INDEX NO.	PART NO.	DESCRIPTION	MODEL(S)
1	AA0508.2CXZB	SCREW (2)	HL/YL
2	CA0023.1AM	SCREW	HL/YL
3	CA0052.5AA	SCREW (3)	HL/YL
4	CA0053.5AA	SCREW	HL/YL
5	CA0200.R	SCREW (2)	HL/YL
6	H0035.9	COVER, diaphragm	HL/YL
7	H0405.9B	BANJO BOLT (2)	HL/YL
8	H0412.01A0	WASHER (4)	HL/YL
	N0001.B	PLUG, mirror mount (not illustrated) (2)	HL/YL
9	N0002.02A8	HANDLEBAR, clip-on, 7/8 in. (2)	HL
10	N0010.02A8	ENDCAP (2)	HL
11	N0037.1ATCZT	HANDLEBAR, clubman (black anodized)	YL
12	N0050.K	HAND GRIP, left	HL/YL
13	N0051.K	HAND GRIP, right	HL/YL
14	N0065.1AM	SWITCH KIT, clutch lever	HL/YL
15	N0066.1AM	PISTON SET	HL/YL
16	N0067.1AM	HOLDER SET	HL/YL
17	N0103.1AMB	CLUTCH LINE, w/ H0405.9B & H0412.01A0	HL/YL
18	N0104.1AMA	MASTER CYLINDER, clutch w/ 13, 14, 15, 21 & 24	HL/YL
19	N0158.TA	SWITCH, RH control w/ CA0052.5AA & CA0053.5AA	HL/YL
20	N0159.TB	SWITCH, LH control w/ CA0052.5AA	HL/YL
21	N0203.9	PIVOT BOLT KIT, w/ nut	HL/YL
22	N0210.R	CAP SET, w/ CA0200.R & H0035.9	HL/YL
23	N0307.1AM	CABLE, throttle control	HL/YL
24	N0308.1AM	CABLE, idle control	HL/YL
	N0348.1ATYCX	CLAMP, handlebar (piranha black) (not illustrated)	YL
25	X1202.1AM	LEVER KIT, clutch w/ N0203.9	HL/YL
26	Y0303.2B	WIRETIE	HL/YL
INTERNATIONAL MODELS ONLY			
27	N0307A.1AM	CABLE, throttle control (HDI)	HL/YL
28	N0308A.1AM	CABLE, idle control (HDI)	HL/YL

2009 MODEL IDENTIFICATION CODES

HL = 1125R

YL = 1125CR

REAR FENDER & BELT GUARDS



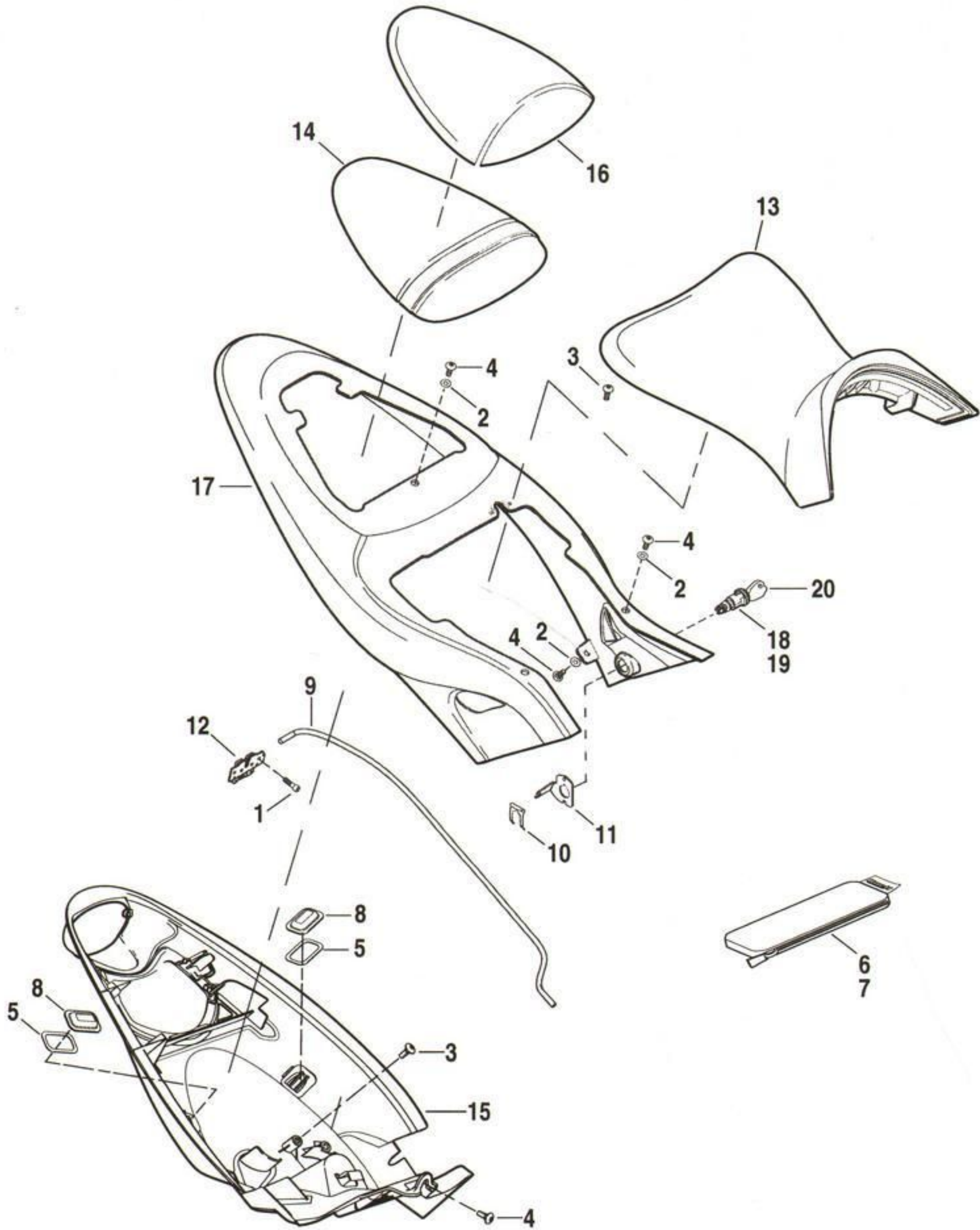
INDEX NO.	PART NO.	DESCRIPTION	MODEL(S)
1	A04010.24CXVB	SCREW (4)	HL/YL
2	B0409.1BL	WASHER (4)	HL/YL
3	B0613.1BL	WASHER	HL/YL
4	CA0030.1AMA	SCREW (8)	HL/YL
5	M0550.1AM	FENDER, rear inner	HL/YL
6	M0560.1AMA	BELT GUARD, lower	HL/YL
7	M0561.1AMA	STONE GUARD	HL/YL
8	M0570.1AMA	BELT GUARD, upper	HL/YL
9	M0580.1AMA	ENGINE SPROCKET COVER	HL/YL
10	Y1010.1AM	WIRE GUARD, front sprocket cover	HL/YL

2009 MODEL IDENTIFICATION CODES

HL = 1125R

YL = 1125CR

SEAT, TAIL SECTION & TRUNK



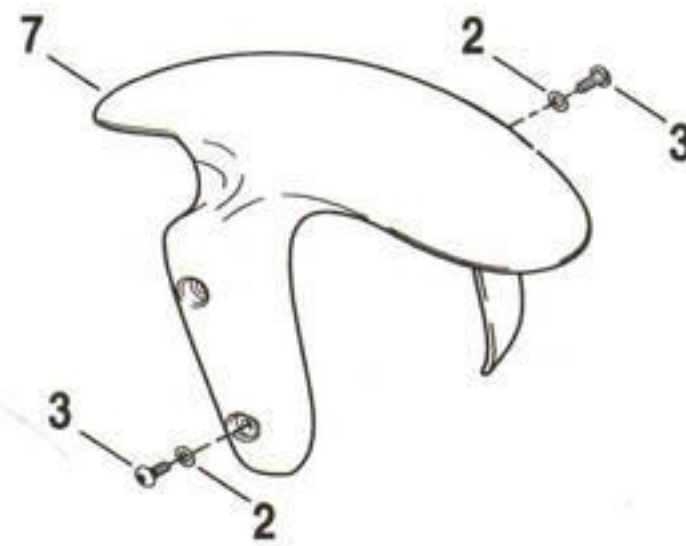
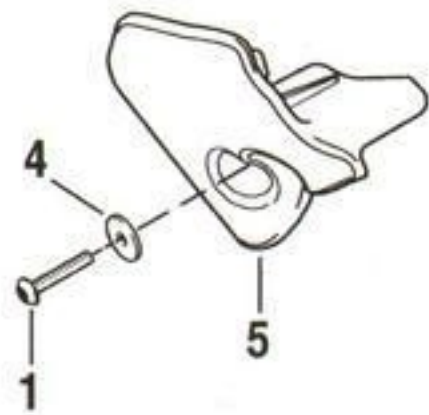
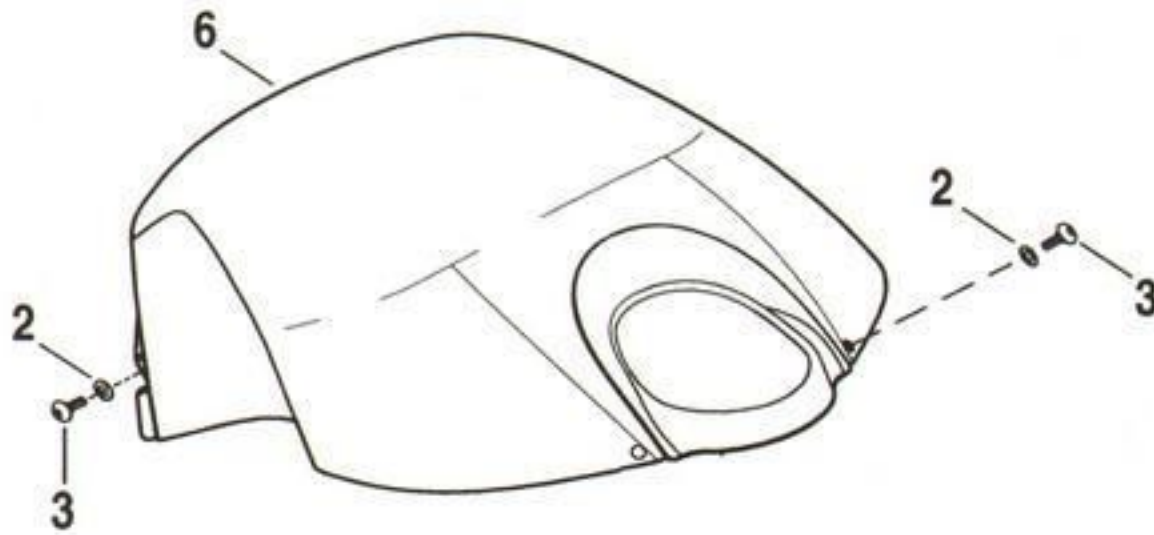
INDEX NO.	PART NO.	DESCRIPTION	MODEL(S)
	70345-84	RETAINER, harness, tail section (not illustrated)	HL/YL
1	A06020.2CVB	BOLT (2)	HL/YL
2	BA0509.6	WASHER (5)	HL/YL
3	CA0023.1AM	SCREW (7)	HL/YL
4	CA0030.1AMA	SCREW, shoulder (6)	HL/YL
5	C0074.1AK	TAPE, 2-sided	HL/YL
6	C2024.1AM	TOOL KIT, w/ 72462-00, C0123.1AA, C2000.1AM, C2040.02A8, C2041.02A8A, C2045.1AK, C2048.1AM, C2049.1AM, C2050.1AM, C2051.1AM, C2052.1AM, Y0011.K	HL/YL
	72462-00	FUSE, 10-amp (tool kit) (not illustrated)	HL/YL
7	C2000.1AM	POUCH (tool kit)	HL/YL
	C0123.1AA	CABLE, security (tool kit) (not illustrated)	HL/YL
	C2040.02A8	WRENCH, axle 7/8 (tool kit) (not illustrated)	HL/YL
	C2041.02A8A	SCREWDRIVER, 4-in-1 (tool kit) (not illustrated)	HL/YL
	C2045.1AK	HEX KEY, 5mm, L-style (tool kit) (not illustrated)	HL/YL
	C2048.1AM	WRENCH, 3mm, ball end (tool kit) (not illustrated)	HL/YL
	C2049.1AM	TORX KEY, T30, L-style (tool kit) (not illustrated)	HL/YL
	C2050.1AM	WRENCH, rear shock, spanner (tool kit) (not illustrated)	HL/YL
	C2051.1AM	WRENCH, rear shock, handle spanner (tool kit) (not illustrated)	HL/YL
	C2052.1AM	WRENCH, combo 10/20mm (tool kit) (not illustrated)	HL/YL
	Y0011.K	FUSE, 15-amp (tool kit) (not illustrated)	HL/YL
8	M0032.1AK	COVER, bungee hook, trunk	HL/YL
9	M0066.02A8	CABLE, seat lock	HL/YL
10	M0067.02A8	RETAINER, seat lock	HL/YL
11	M0068.02A8	PLATE, seat lock	HL/YL
12	M0069.02A8	LATCH, seat lock	HL/YL
13	M0090.02A8	SEAT, rider, complete	HL/YL
14	M0091.02A8	SEAT, passenger, complete	HL/YL
15	M0756.1AMB	TRUNK	HL/YL
16	M1087.02A8MW	COWL, passenger seat (midnight black)	HL/YL
17	M1664.1ATMBK	TAIL SECTION KIT, w/ decal (racing red)	YL
	M1664.1ATMW	TAIL SECTION KIT, w/ decal (midnight black)	YL
	M1664.2AMMAW	TAIL SECTION KIT, w/ decal (arctic white)	HL
	M1664.2AMMBK	TAIL SECTION KIT, w/ decal (racing red)	HL
18	Y0602.02A8	COMPLETE VEHICLE LOCK SET, w/ seat, ignition, fuel cap & key(s)	HL
	C0290.1AT	COMPLETE VEHICLE LOCK SET, w/ seat, ignition, fuel cap & key(s)	YL
19	Y0725.02A8	LOCK, seat w/ key	HL/YL
20	Y0732.T	KEY SET (specify four - digit key code)	HL/YL

2009 MODEL IDENTIFICATION CODES

HL = 1125R

YL = 1125CR

INTAKE COVER & FRONT FENDER



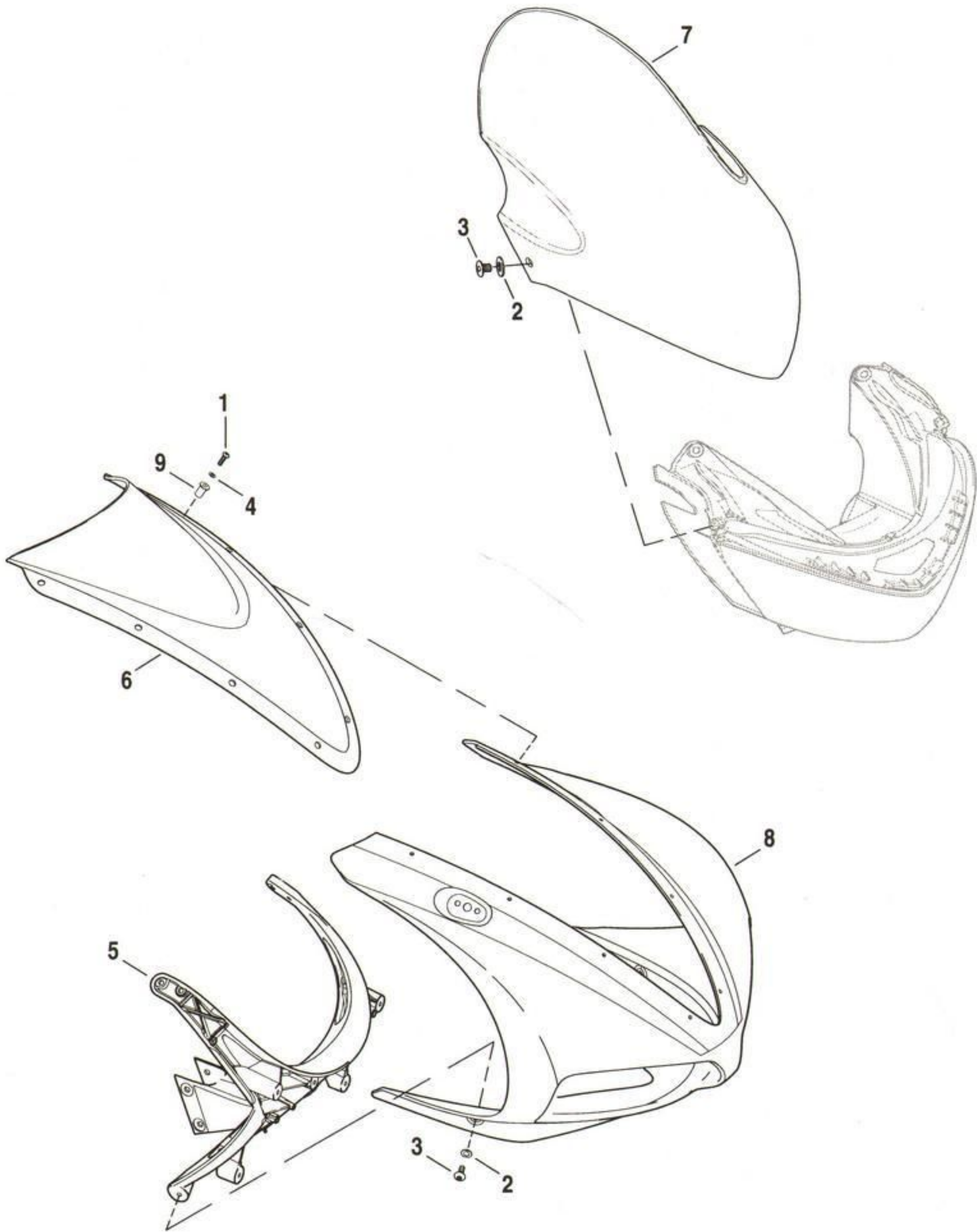
INDEX NO.	PART NO.	DESCRIPTION	MODEL(S)
1	AA0412.11CXZB	SCREW	HL/YL
2	BA0509.6	WASHER (8)	HL/YL
3	CA0030.1AMA	SCREW (8)	HL/YL
4	CB0012.02A8	WASHER	HL/YL
5	M0139.1AMA	HEAT DEFLECTOR, rider right	HL/YL
6	M1224.1ATMBK	INTAKE COVER KIT, w/ decals (racing red)	YL
	M1224.1ATMW	INTAKE COVER KIT, w/ decals (midnight black)	YL
	M1224.2AMBK	INTAKE COVER KIT, w/ decals (racing red)	HL
	M1224.2AMMAW	INTAKE COVER KIT, w/ decals (arctic white)	HL
	M1224.2AMMW	INTAKE COVER KIT, w/ decals (midnight black)	HL
7	M1662.02A8MW	FENDER, front	HL/YL

2009 MODEL IDENTIFICATION CODES

HL = 1125R

YL = 1125CR

FRONT FAIRING & WINDSCREEN



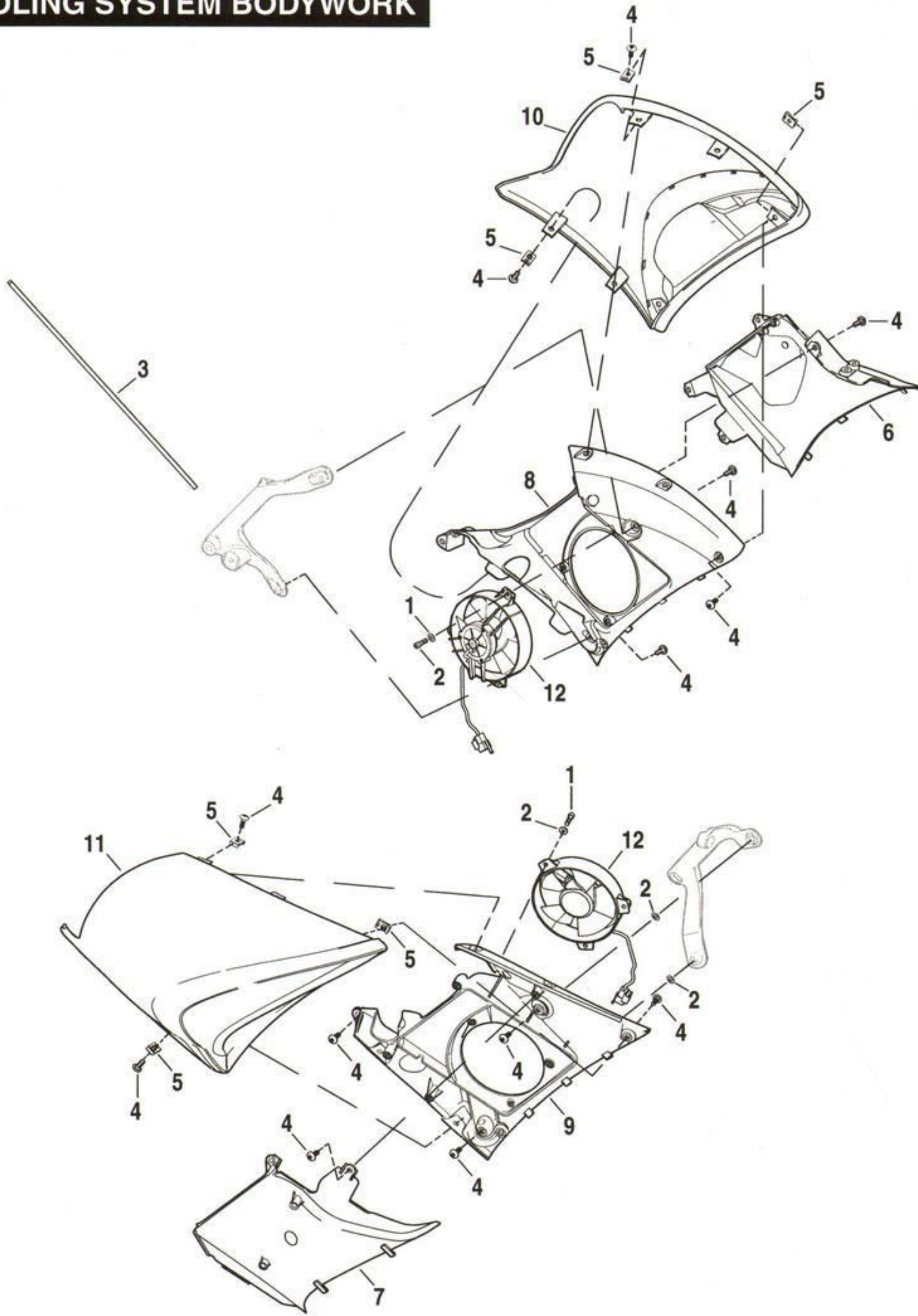
INDEX NO.	PART NO.	DESCRIPTION	MODEL(S)
1	AN1005.3FSS	SCREW (8)	HL
2	BA0509.6	WASHER (2)	HL/YL
3	CA0030.1AMA	SCREW (2)	HL/YL
4	CB0009.02A8	WASHER (8)	HL
5	L0940.1AMBYCP	BRACKET, fairing support	HL
6	M0600.1AMAMBX	WINDSCREEN (hero blue)	HL
	M0600.1AMAMCD	WINDSCREEN (kick ash)	HL
7	M1601.1ATMBK	WINDSCREEN (racing red)	YL
	M1601.1ATMW	WINDSCREEN (midnight black)	YL
8	M1621.1AMMW	FAIRING, front w/ decals (midnight black)	HL
	M1621.2AMMAW	FAIRING, front w/ decals (arctic white)	HL
	M1621.2AMMBK	FAIRING, front w/ decals (racing red)	HL
9	M0703.02A8	WELLNUT (8)	HL

2009 MODEL IDENTIFICATION CODES

HL = 1125R

YL = 1125CR

COOLING SYSTEM BODYWORK



INDEX NO.	PART NO.	DESCRIPTION	MODEL(S)
	73198-96	CONNECTOR, anchor, data port, right radiator outlet duct (not illustrated)	HL/YL
1	A06020.2CVB	BOLT (6)	HL/YL
2	B0613.1BL	WASHER (8)	HL/YL
3	C0114.1AM	FOAM (4)	HL/YL
4	CA0030.1AMA	SCREW (22)	HL/YL
5	CD0022.1AM	NUT, speed (12)	HL/YL
6	M0038.1AM	RADIATOR INLET DUCT, left	HL/YL
7	M0039.1AM	RADIATOR INLET DUCT, right	HL/YL
8	M0040.1AMD	RADIATOR OUTLET DUCT, left	HL/YL
9	M0041.1AME	RADIATOR OUTLET DUCT, right	HL/YL
10	M1034.1AMMAW	RADIATOR OUTER SHROUD, left (arctic white/black bezel)	HL/YL
	M1034.1AMMBK	RADIATOR OUTER SHROUD, left (racing red/black bezel)	HL/YL
	M1034.1AMMW	RADIATOR OUTER SHROUD, left (midnight black)	HL/YL
11	M1035.1AMMAW	RADIATOR OUTER SHROUD, right (arctic white/black bezel)	HL/YL
	M1035.1AMMBK	RADIATOR OUTER SHROUD, right (racing red/black bezel)	HL/YL
	M1035.1AMMW	RADIATOR OUTER SHROUD, right (midnight black)	HL/YL
12	Q0060.1AM	COOLING FAN (2)	HL/YL

2009 MODEL IDENTIFICATION CODES

HL = 1125R

YL = 1125CR

DECALS



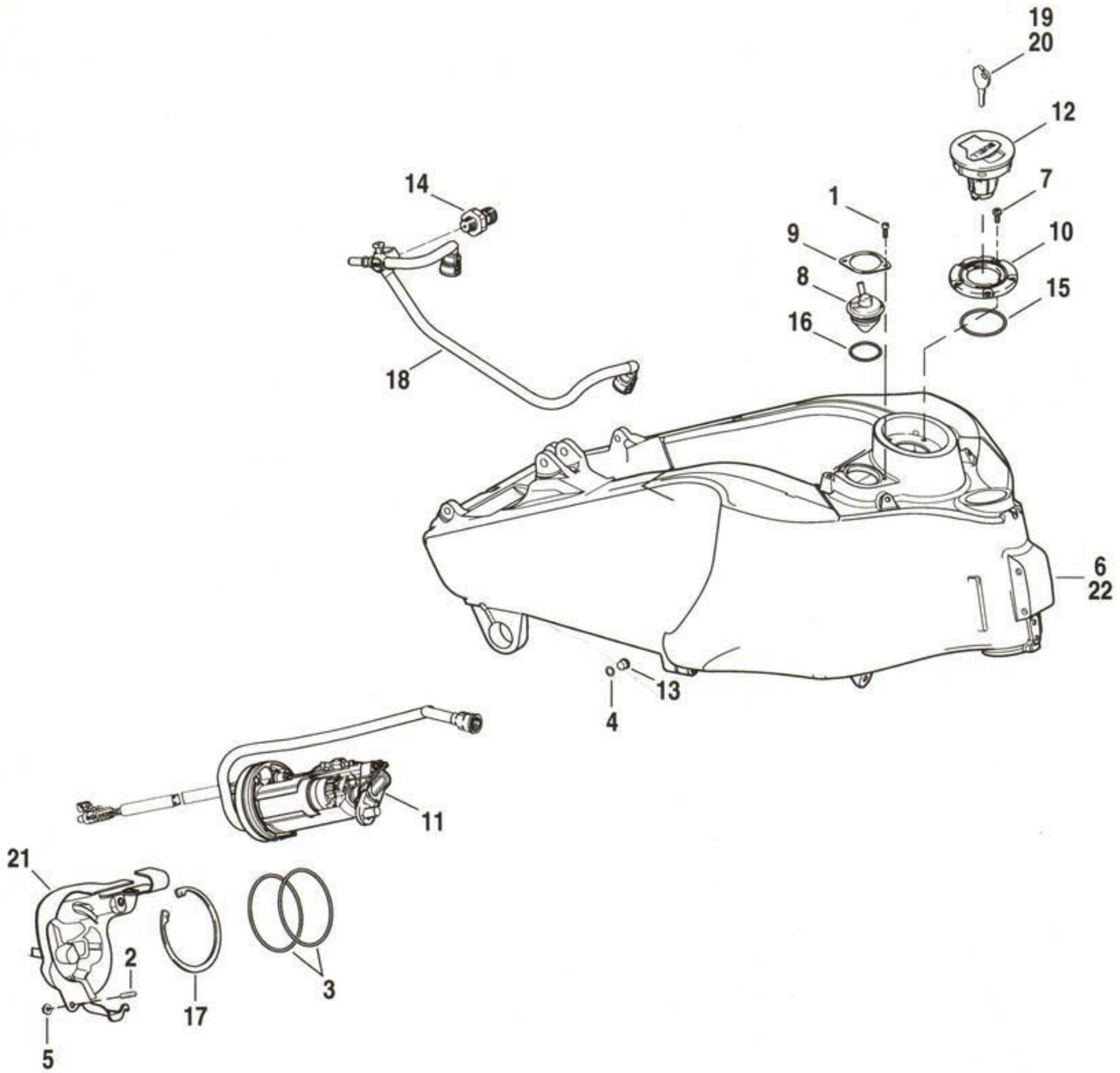
INDEX NO.	PART NO.	DESCRIPTION	MODEL(S)
1	M0675.1AT	GRAPHIC, handlebar	YL
2	M0689.2AM	GRAPHIC, upper triple clamp	HL
2A	M0726.1AM	DECAL, fairing (silver, red, black) (3)	HL
	M0726.2AM	DECAL, fairing (silver, red, arctic white) (3)	HL
	M0726A.2AM	DECAL, fairing (silver, black) (3)	HL
3	M0724.1AT	GRAPHIC, tail (red)	YL
	M0724A.1AT	GRAPHIC, tail (black)	YL
4	M0725.1AT	GRAPHIC, airbox cover (black on red)	YL
	M0725A.1AT	GRAPHIC, airbox cover (red on black)	YL
	M0725.2AM	DECAL, intake cover (blue on black) (2)	HL
	M0725B.2AM	DECAL, intake cover (black on silver) (2)	HL
5	M0726.1AT	GRAPHIC, flyscreen (red)	YL
	M0726A.1AT	GRAPHIC, flyscreen (black)	YL
6	M0731.1AM	DECAL, clutch cover plug	HL
7	M0741.1AM	DECAL, clutch cover	HL
8	M0741.1AT	GRAPHIC, clutch cover	YL
9	M0743.1AM	DECAL, engine cover plug	HL

2009 MODEL IDENTIFICATION CODES

HL = 1125R

YL = 1125CR

FUEL TANK & PUMP



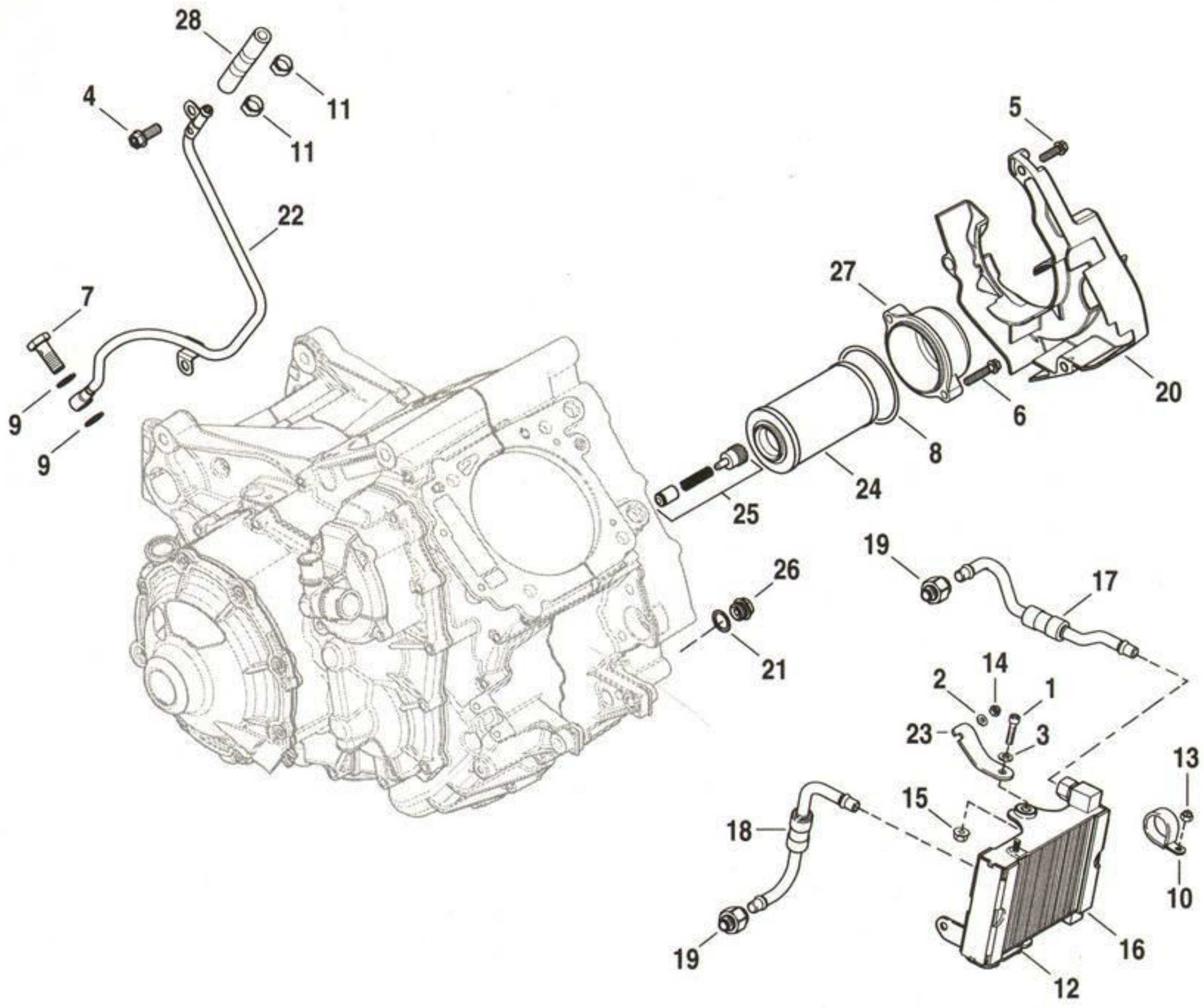
INDEX NO.	PART NO.	DESCRIPTION	MODEL(S)
1	A04010.24CVB	SCREW (2)	HL/YL
2	A05020.19CXSS	SCREW	HL/YL
3	CF0014.1AM	O-RING (2)	HL/YL
4	CF0015.1AM	O-RING	HL/YL
5	D0500.12CCBL	NUT	HL/YL
6	L0600.2AMYCX	FRAME/FUEL TANK ASSEMBLY KIT, front, w/ bearing races & labels (DOMESTIC) (See FRAME pages for more information on kit)	HL/YL
	L0601.2AMYCX	FRAME/FUEL TANK ASSEMBLY KIT, front, w/ bearing races & labels (CANADA) (See FRAME pages for more information on kit)	HL/YL
	L0605.2AMYCX	FRAME/FUEL TANK ASSEMBLY KIT, front, w/ bearing races & labels (CALIFORNIA) (See FRAME pages for more information on kit)	HL/YL
7	P0002.02A8	SCREW (6)	HL/YL
8	P0115.02A8B	FUEL CELL VENT, w/ P0229.02A8	HL/YL
9	P0119.02A8A	PLATE	HL/YL
10	P0128.02A8A	RETAINING RING, fuel cap	HL/YL
11	P0130.1AMJ	FUEL PUMP ASSEMBLY, w/ CF0014.1AM	HL/YL
12	P0153.02A8	CAP, fuel tank, w/ key(s)	HL
	P0153.1AT	CAP, fuel tank, w/ key(s) (black)	YL
13	P0189.1AM	DRAIN PLUG, w/ CF0015.1AM	HL/YL
14	P0221.1AM	PRESSURE SENSOR, fuel rail	HL/YL
15	P0228.02A8	O-RING, fuel cap retaining ring	HL/YL
16	P0229.02A8	O-RING	HL/YL
17	P0242.1AM	SNAP RING, fuel pump	HL/YL
18	P0268.1AMB	FUEL RAIL ASSEMBLY	HL/YL
19	Y0602.02A8	COMPLETE VEHICLE LOCK SET, w/ seat, ignition, fuel cap & key(s)	HL
	C0290.1AT	COMPLETE VEHICLE LOCK SET, w/ seat, ignition, fuel cap & key(s)	YL
20	Y0732.T	KEY SET (specify four - digit key code)	HL/YL
21	Y1018.1AMA	WIRE GUIDE, fuel pump	HL/YL
INTERNATIONAL MODELS ONLY			
22	L0602.2AMYCX	FRAME/FUEL TANK ASSEMBLY KIT, front, w/ bearing races & labels (ENGLAND, EUROPE, BRAZIL) (See FRAME pages for more information on kit)	HL/YL
	L0603.2AMYCX	FRAME/FUEL TANK ASSEMBLY KIT, front, w/ bearing races & labels (AUSTRALIA) (See FRAME pages for more information on kit)	HL/YL
	L0608.2AMYCX	FRAME/FUEL TANK ASSEMBLY KIT, front, w/ bearing races & labels (FRANCE) (See FRAME pages for more information on kit)	HL/YL

2009 MODEL IDENTIFICATION CODES

HL = 1125R

YL = 1125CR

OIL FILTER & LINES



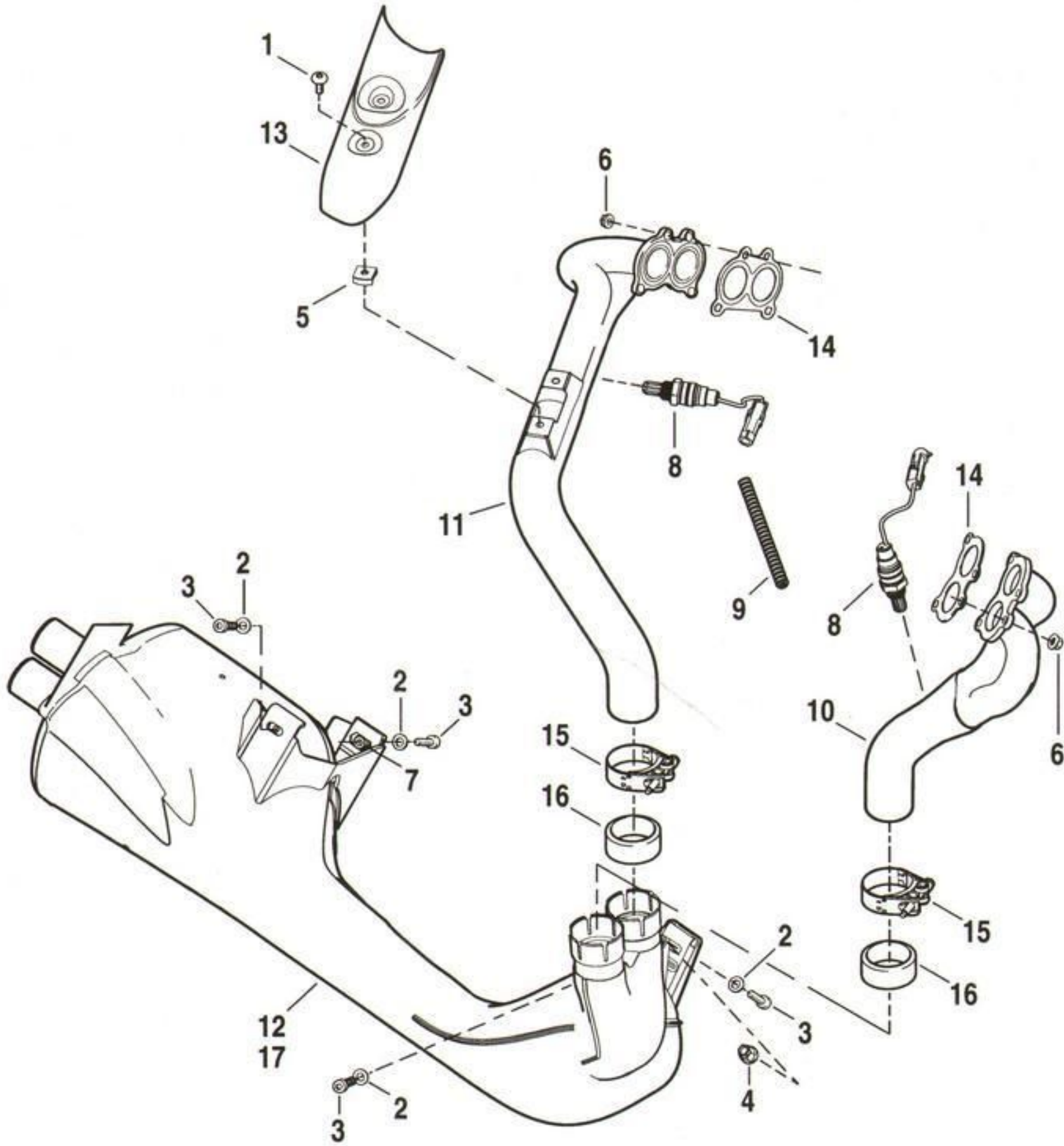
INDEX NO.	PART NO.	DESCRIPTION	MODEL(S)
1	A06020.2CVB	BOLT	HL/YL
2	B0613.1BL	WASHER	HL/YL
3	B0816.2BL	WASHER	HL/YL
4	CA0060.1AM	SCREW	HL/YL
5	CA0061.1AM	SCREW (2)	HL/YL
6	CA0063.1AM	SCREW (2)	HL/YL
7	CA0901.1AM	SCREW	HL/YL
8	CF0003.1AM	O-RING	HL/YL
9	CJ0004.1AM	SEALING RING (2)	HL/YL
10	CM0005.1AM	CLAMP	HL/YL
11	CN0013.1AMA	CLAMP (2)	HL/YL
12	CP0006.1AM	GROMMET (3)	HL/YL
13	D0600.2CBL	LOCKNUT	HL/YL
14	D0600.10CCBL	NUT	HL/YL
15	D0800.12CCBL	NUT	HL/YL
16	Q1002.1AM	OIL COOLER, w/ CP0006.1AM & D0600.2CBL	HL/YL
17	Q0030A.1AM	OIL LINE, supply	HL/YL
18	Q0031A.1AM	OIL LINE, return	HL/YL
19	Q0044.1AM	FITTING (2)	HL/YL
20	Q0082.1AM	COVER, oil duct	HL/YL
21	Q0092.1AM	SEALING RING	HL/YL
22	Q0250.1AM	VENTING TUBE	HL/YL
23	Q0307.1AMA	BRACKET, oil cooler mounting	HL/YL
24	Q1064.1AM	OIL FILTER, w/ CF0003.1AM	HL/YL
25	Q1080.1AM	VALVE, pressure retaining	HL/YL
26	Q1350.1AM	PLUG, w/ Q0092.1AM	HL/YL
27	R0024.1AM	COVER, oil filter	HL/YL
28	X0170.1AM	HOSE, low pressure	HL/YL

2009 MODEL IDENTIFICATION CODES

HL = 1125R

YL = 1125CR

EXHAUST SYSTEM

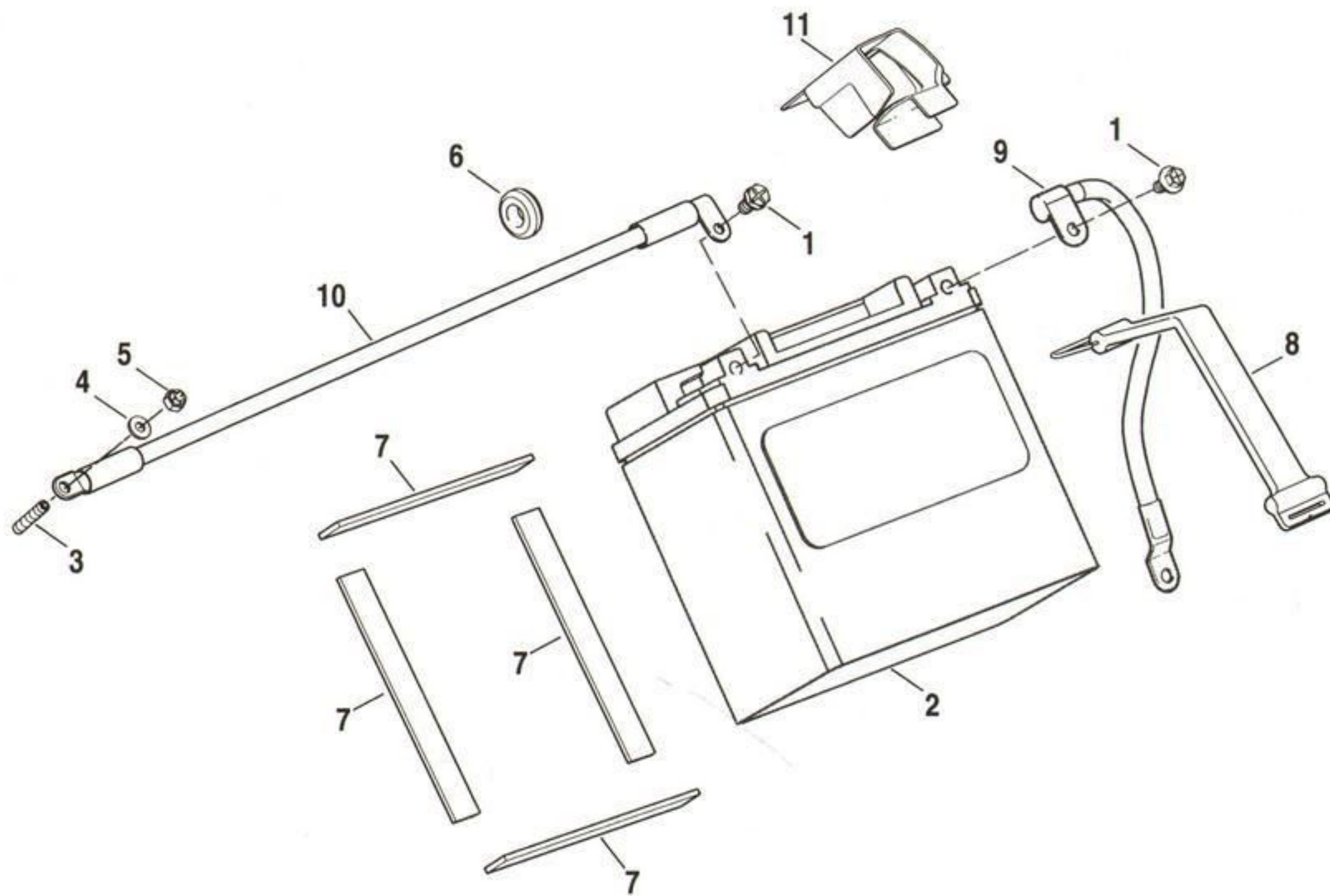


INDEX NO.	PART NO.	DESCRIPTION	MODEL(S)
1	A06010.3CSS	SCREW (2)	HL/YL
2	B0816.2BL	WASHER (4)	HL/YL
3	CA0077.1AM	SCREW (4)	HL/YL
4	CD0026.1AM	NUT	HL/YL
5	CD0029.1AM	NUT, speed (2)	HL/YL
6	D0700.12CBL	NUT (8)	HL/YL
7	D0800.12CCBL	NUT (3)	HL/YL
8	P0277.5AA	SENSOR, oxygen, front (2)	HL/YL
9	C0374.2AM	CONVOSHIELD, oxygen sensor	HL/YL
10	S0101.2AM	HEADER ASSEMBLY, front	HL/YL
11	S0102.2AM	HEADER ASSEMBLY, rear	HL/YL
12	S0110A.1AMA	MUFFLER ASSEMBLY, no catalyst w/ D0800.12CCBL (DOMESTIC, AUSTRALIA, CANADA,)	HL/YL
13	S0175.2AMA	HEAT SHIELD, header	HL/YL
14	S0181.1AM	GASKET, header (2)	HL/YL
15	S0183.1AM	CLAMP (2)	HL/YL
16	S0185.1AMC	GASKET (2)	HL/YL

INTERNATIONAL MODELS ONLY

17	S0110.1AMJ	MUFFLER ASSEMBLY, w/ catalyst & D0800.12CCBL (ENGLAND, EUROPE, FRANCE, HDI, CALIFORNIA)	HL/YL
----	------------	---	-------

BATTERY



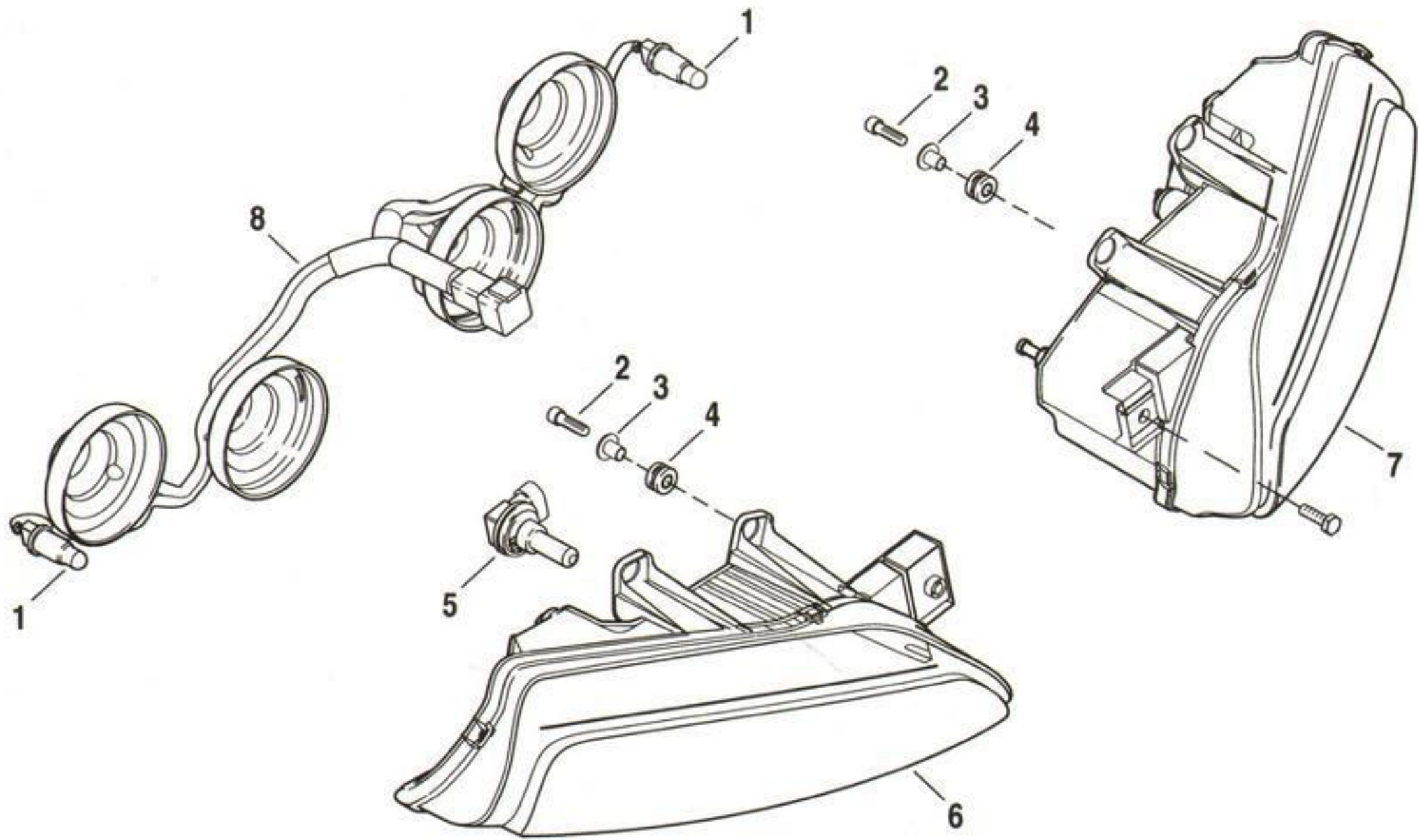
INDEX NO.	PART NO.	DESCRIPTION	MODEL(S)
1	4312B	SCREW (2)	HL/YL
2	65958-04	BATTERY, w/ 4312B	HL/YL
3	A06030.19CXSS	SCREW	HL/YL
4	B0613.1BL	WASHER	HL/YL
5	D0600.10CCBL	NUT	HL/YL
6	P0139.K	GROMMET, IAT	HL/YL
7	Y0101.02A8	PAD	HL/YL
8	Y0103.02A8	STRAP, rubber	HL/YL
9	Y0317.1AMC	CABLE, positive	HL/YL
10	Y0321.1AMB	CABLE, negative	HL/YL
11	Y1015.1AM	LUG GUARD	HL/YL

2009 MODEL IDENTIFICATION CODES

HL = 1125R

YL = 1125CR

HEADLIGHTS - 1125R



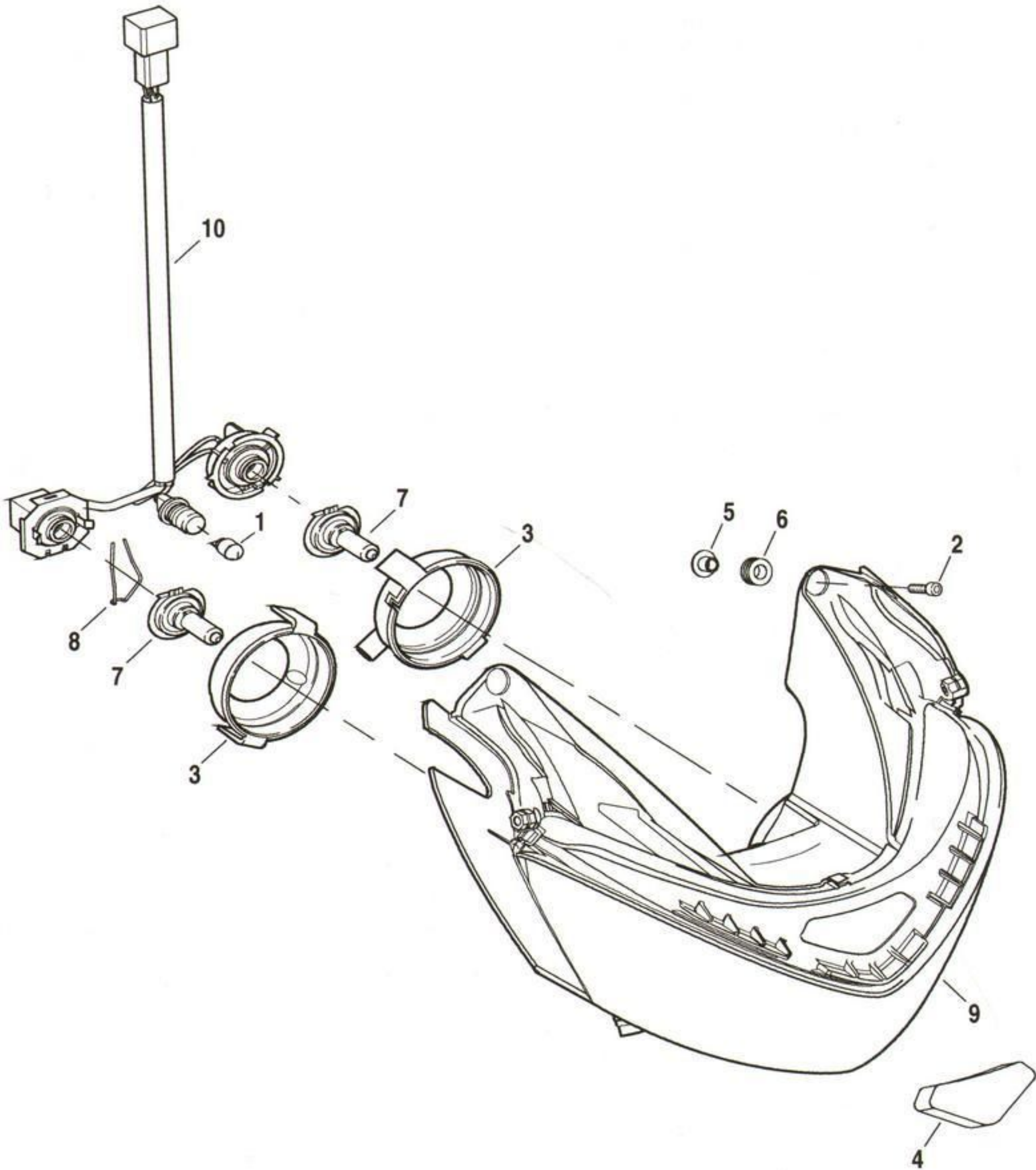
INDEX NO.	PART NO.	DESCRIPTION	MODEL(S)
1	53436-97	LAMP, headlight position, 5W (2)	HL
2	A08020.2CVB	SCREW	HL
3	CH0018.1AM	INSERT, grommet (6)	HL
4	CP0005.1AM	GROMMET (6)	HL
5	Y0025.1AM	BULB, 35W (4)	HL
6	Y0721.1AM	HEADLAMP ASSEMBLY, right	HL
7	Y0722.1AM	HEADLAMP ASSEMBLY, left	HL
8	Y1145.1AMA	SUBHARNESS	HL
	Y1721.1AM	HEADLAMP ASSEMBLY, left & right w/ 1, 3, 4, 5, 6, 7 & 8	HL

2009 MODEL IDENTIFICATION CODES

HL = 1125R

YL = 1125CR

HEADLIGHTS - 1125CR



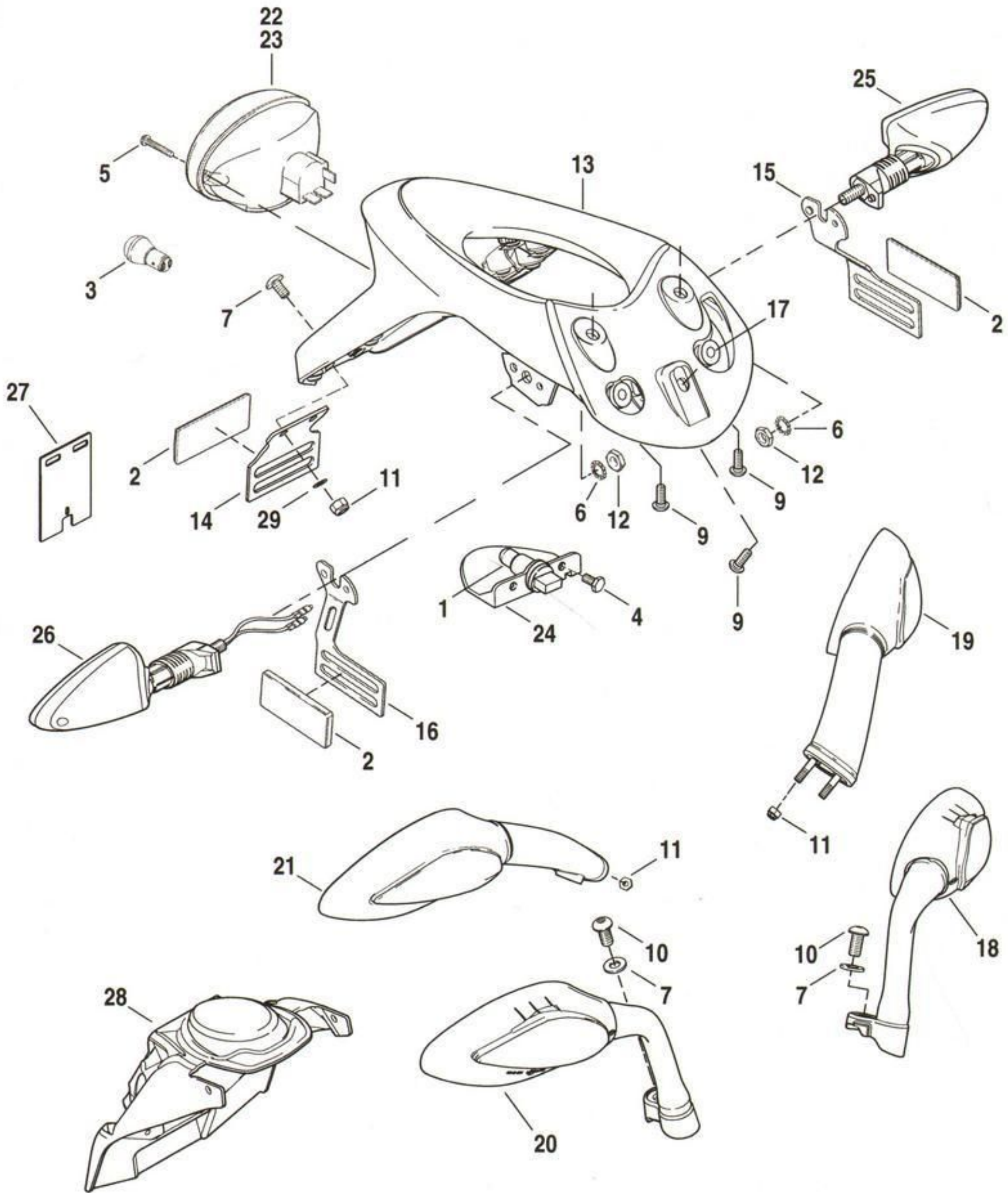
INDEX NO.	PART NO.	DESCRIPTION	MODEL(S)
1	53436-97	LAMP, headlight position, 5W	YL
2	A08020.2CVB	SCREW (2)	YL
3	C0051.1AD	RUBBER BOOT (2)	YL
4	C0088.1AT	FOAM INTERFACE, headlight/flyscreen	YL
5	CH0018.1AM	INSERT, grommet (2)	YL
	CP0003.1AT	GROMMET (not illustrated) (2)	YL
6	CP0005.1AM	GROMMET (2)	YL
7	Y0148.1AD	BULB, 55W (2)	YL
8	Y0149.1AD	BULB HOLDER	YL
9	Y0721.1ATA	HEADLAMP ASSEMBLY, left & right w/ 1, 3, 4, 5, 6, 7, 8 & 10	YL
10	Y1145.1AT	SUBHARNESS	YL

2009 MODEL IDENTIFICATION CODES

HL = 1125R

YL = 1125CR

TAIL LAMP & TURN SIGNALS



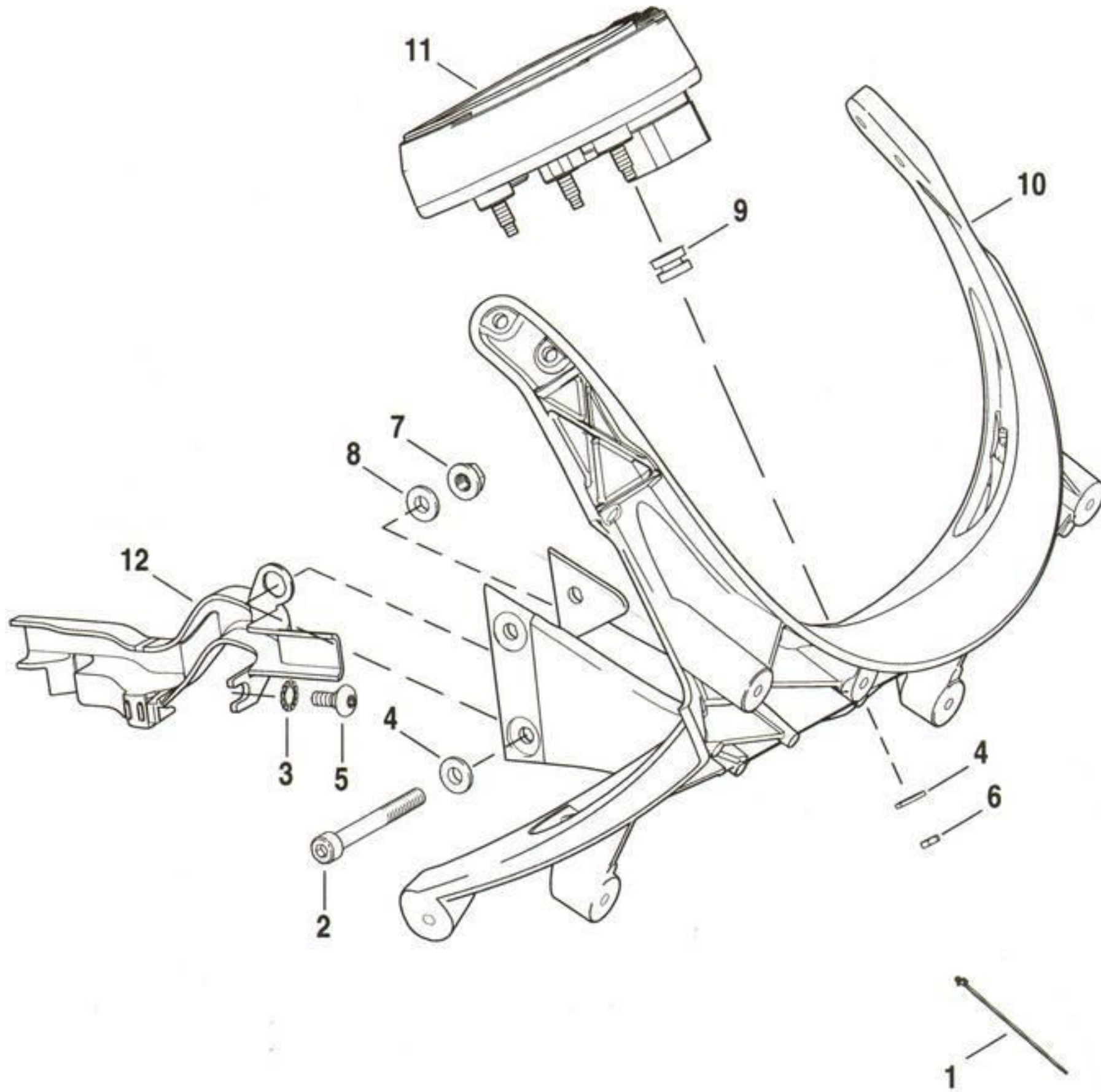
INDEX NO.	PART NO.	DESCRIPTION	MODEL(S)
1	53436-97	LAMP	HL/YL
2	59259-90	REFLECTOR (3)	HL/YL
3	68169-90A	BULB	HL/YL
4	A04010.24CXVB	SCREW (2)	HL/YL
5	AN0808.14CSS	SCREW (2)	HL/YL
6	B0814.4BL	WASHER (2)	HL/YL
7	B1020.2BL	WASHER (2)	YL
8	CA0023.1AM	SCREW (2)	HL/YL
9	CA0030.1AMA	SCREW (3)	HL/YL
10	CA0103.1AT	SCREW (2)	YL
11	D0600.2CBL	LOCKNUT (6)	HL
12	D0800.4FBL	JAM NUT (2)	HL/YL
13	L0040.1AMCMBE	LICENSE PLATE BRACKET ASSEMBLY, w/ M0649.01A3	HL/YL
14	L0542.02A8	BRACKET, reflector, center	HL/YL
15	M0232.4A8YT	BRACKET, reflector, left	HL/YL
16	M0233.4A8YT	BRACKET, reflector, right	HL/YL
17	M0649.01A3	GROMMET (2)	HL/YL
18	N0161.1ATA	MIRROR, left, w/ integral turn signal	YL
19	N0161.1AMC	MIRROR, left, w/ integral turn signal	HL
20	N0162.1ATA	MIRROR, right, w/ integral turn signal	YL
21	N0162.1AMC	MIRROR, right, w/ integral turn signal	HL
22	Y0043.02A8	LENS	HL/YL
23	Y0401.1AD	TAILLIGHT, w/ 68169-90A & Y0043.02A8	HL/YL
24	Y0514.1AM	LIGHT, license plate w/ 53436-97	HL/YL
25	Y0526.1AM	TURN SIGNAL, rear, left	HL/YL
26	Y0527.1AM	TURN SIGNAL, rear, right	HL/YL
INTERNATIONAL MODELS ONLY			
27	L0541.02A8	BRACKET, rear reflector (AUSTRALIA, CANADA, ENGLAND, EUROPE, JAPAN)	HL/YL
28	M0549.1AM	FENDER, rear (AUSTRALIA)	HL/YL
29	B0613.1BL	WASHER (AUSTRALIA) (2)	HL/YL

2009 MODEL IDENTIFICATION CODES

HL = 1125R

YL = 1125CR

INSTRUMENT CLUSTER - 1125R



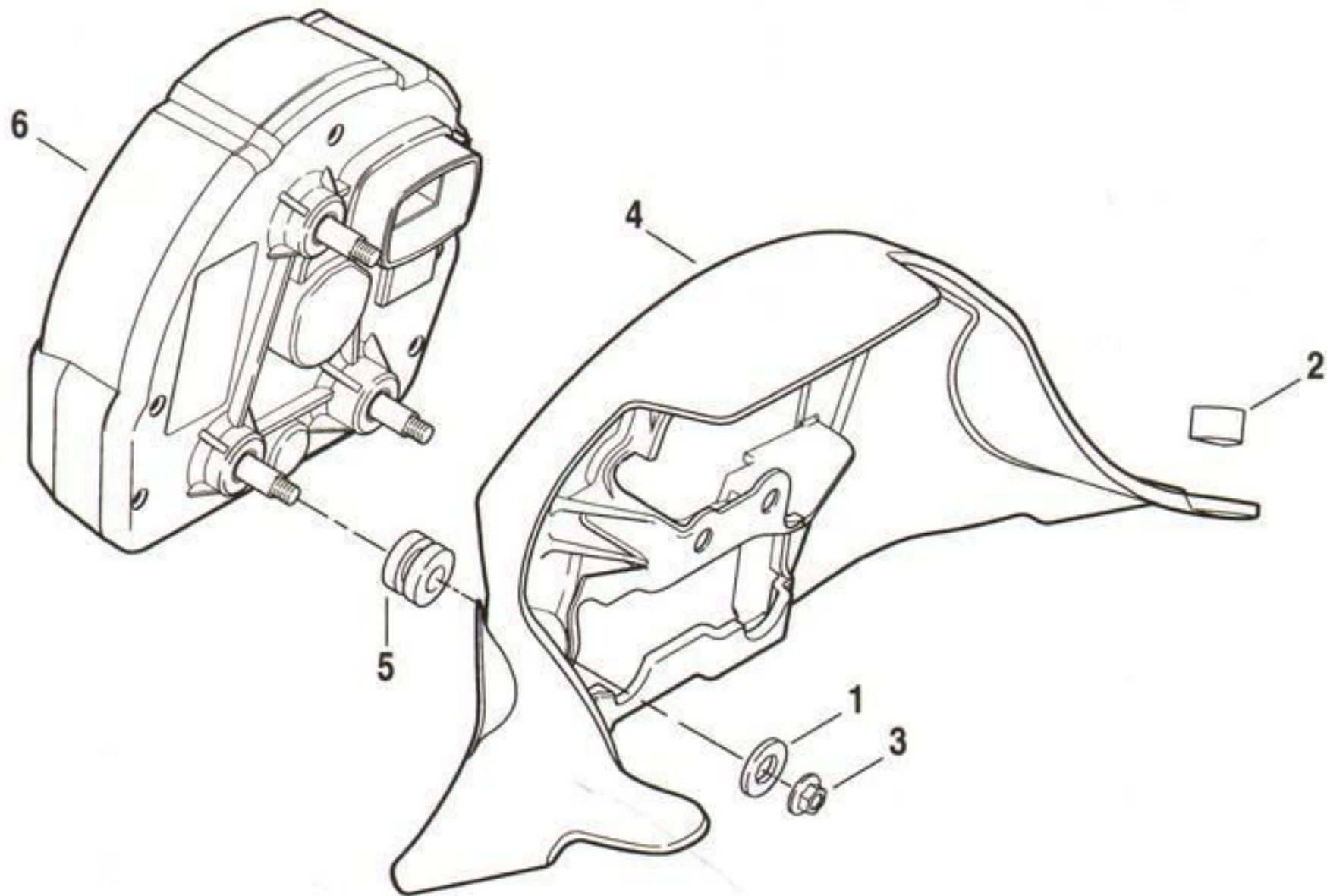
INDEX NO.	PART NO.	DESCRIPTION	MODEL(S)
1	10177	CABLE STRAP	HL
2	A08070.2CVB	SCREW (2)	HL
3	B0814.4BL	WASHER	HL
4	B0816.2BL	WASHER (6)	HL
5	CA0030.1AMA	SCREW	HL
6	D0500.12CCBL	NUT (3)	HL
7	D0800.12CCBL	NUT (2)	HL
8	E0036.1AM	BUSHING	HL
9	M0649.01A3	GROMMET (3)	HL
10	L0940.1AMBYCP	BRACKET, fairing support	HL
11	Y0500.2AM	INSTRUMENT CLUSTER	HL
12	Y1000.1AM	BRACKET, front wire harness	HL

2009 MODEL IDENTIFICATION CODES

HL = 1125R

YL = 1125CR

INSTRUMENT CLUSTER - 1125CR



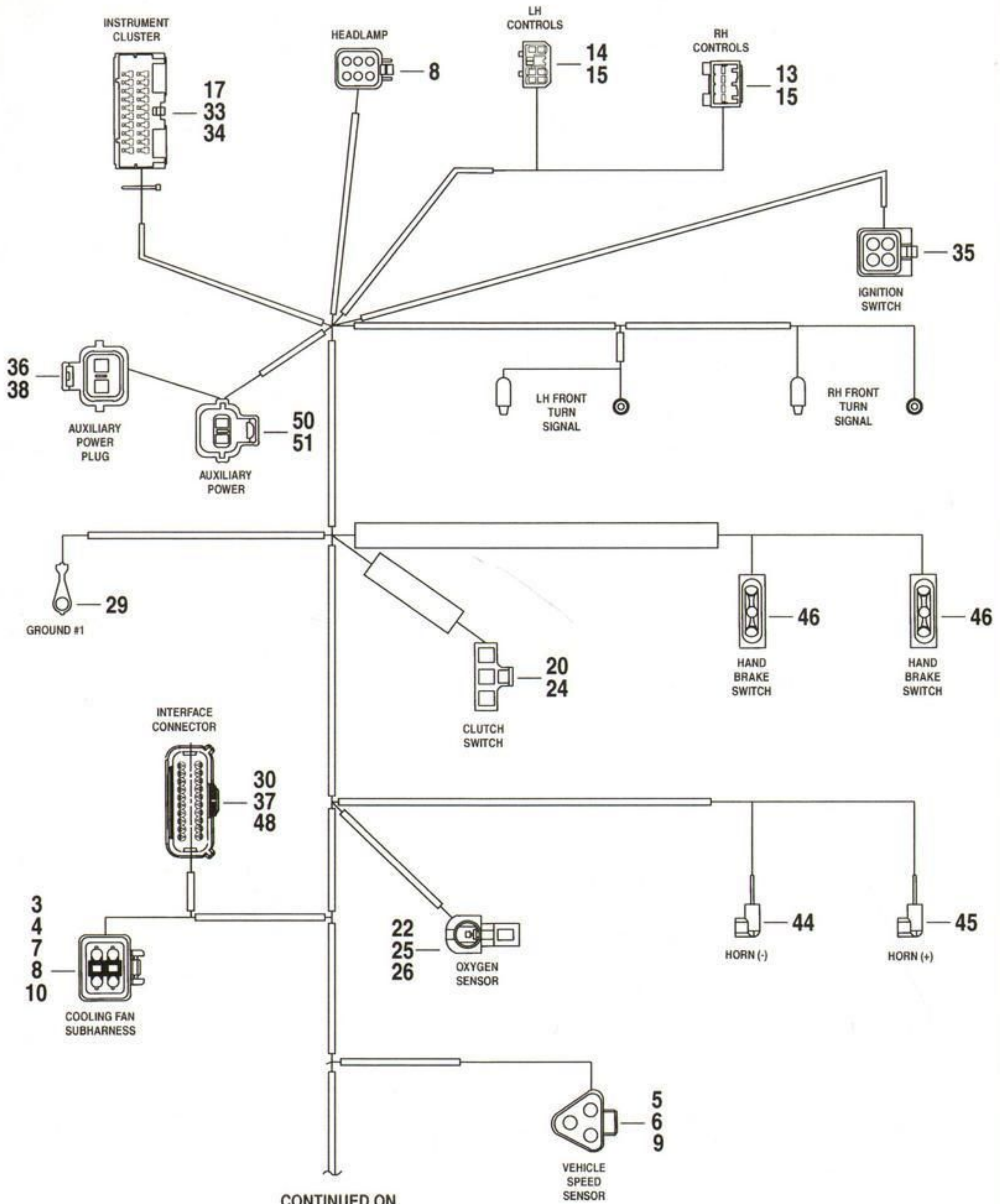
INDEX NO.	PART NO.	DESCRIPTION	MODEL(S)
1	B0816.2BL	WASHER (3)	YL
2	C0086.1AT	PAD, flyscreen (3)	YL
3	D0500.12CCBL	NUT (3)	YL
4	M0189.1ATA	COVER, dash panel	YL
5	M0649.01A3	GROMMET (3)	YL
	Y0049.02A8	CLIP, LH & RH control connector retainer (not illustrated)	YL
6	Y0500.2AM	INSTRUMENT CLUSTER	YL

2009 MODEL IDENTIFICATION CODES

HL = 1125R

YL = 1125CR

MAIN WIRE HARNESS



CONTINUED ON
NEXT PAGE

INDEX NO.	PART NO.	DESCRIPTION	MODEL(S)
	Y0136.2AM	MAIN WIRE HARNESS	HL/YL
NOTE: Includes the following parts.			
1	9839	TERMINAL (3)	HL/YL
2	31522-00C	RELAY (3)	HL/YL
3	72104-94BK	HOUSING, 4-way	HL/YL
4	72114-94BK	CONNECTOR, 4-way	HL/YL
5	72123-94GY	CONNECTOR, 3-way pin	HL/YL
6	72143-94	SECONDARY LOCK	HL/YL
7	72154-94	SECONDARY LOCK, 4-way socket	HL/YL
8	72191-94	TERMINAL (10)	HL/YL
9	72194-94	TERMINAL (3)	HL/YL
10	72195-94	SEAL PIN, 4-way receptacle (4)	HL/YL
11	72462-00	FUSE, 10-amp (5)	HL/YL
12	73102-96BK	CONNECTOR, 2-pin (black)	HL/YL
13	73104-96BK	CONNECTOR, 4-pin (black)	HL/YL
14	73108-96BK	CONNECTOR, 8-pin	HL/YL
15	73190-96	TERMINAL (15)	HL/YL
16	Y0011.K	FUSE, 15-amp (3)	HL/YL
17	Y0021.02A8	BOOT, instrument cluster harness	HL/YL
18	Y0023.1AD	FUSE, 30-amp	HL/YL
19	Y0028.02A8	COVER, fuse block, minifuse (2)	HL/YL
20	Y0054.02A8	TERMINAL (2)	HL/YL
21	Y0057.1AM	SOCKET, terminal (2)	HL/YL
22	Y0058.1AM	SEAL	HL/YL
23	Y0059.1AM	SEAL (dark red) (4)	HL/YL
24	Y0061.1AM	CONNECTOR, 3-pin	HL/YL
25	Y0071.02A8	CONNECTOR, single (black)	HL/YL
26	Y0072.02A8	TERMINAL	HL/YL
27	Y0075.1AM	SEAL (2)	HL/YL
28	Y0078.1AM	CONNECTOR, 4-pin (black)	HL/YL
29	Y0082.1AM	TERMINAL EYE	HL/YL
30	Y0084.1AM	TERMINAL PLUG (3)	HL/YL
31	Y0091.02A8	SOCKET, terminal (9)	HL/YL
32	Y0092.02A8	TERMINAL, socket	HL/YL
33	Y0095.02A8	CONNECTOR (black)	HL/YL
34	Y0096.02A8	SOCKET, terminal (14)	HL/YL
35	Y0097.02A8	CONNECTOR (black)	HL/YL
36	Y0132.02A8	PLUG (black) (2)	HL/YL
37	Y0146.1AM	CONNECTOR RECEPTACLE ASSEMBLY (black)	HL/YL
37A	Y0160.5AA	BLOCK TOP COVER, fuse/relay w/ labels	HL/YL
38	Y0170.5A8	CONNECTOR, 2-way (grey)	HL/YL
39	Y0173.1AM	CONNECTOR, 2-pin positive lock	HL/YL
40	Y0175.1AM	RELAY	HL/YL
41	Y0176.1AM	TERMINAL, fuse block (2)	HL/YL

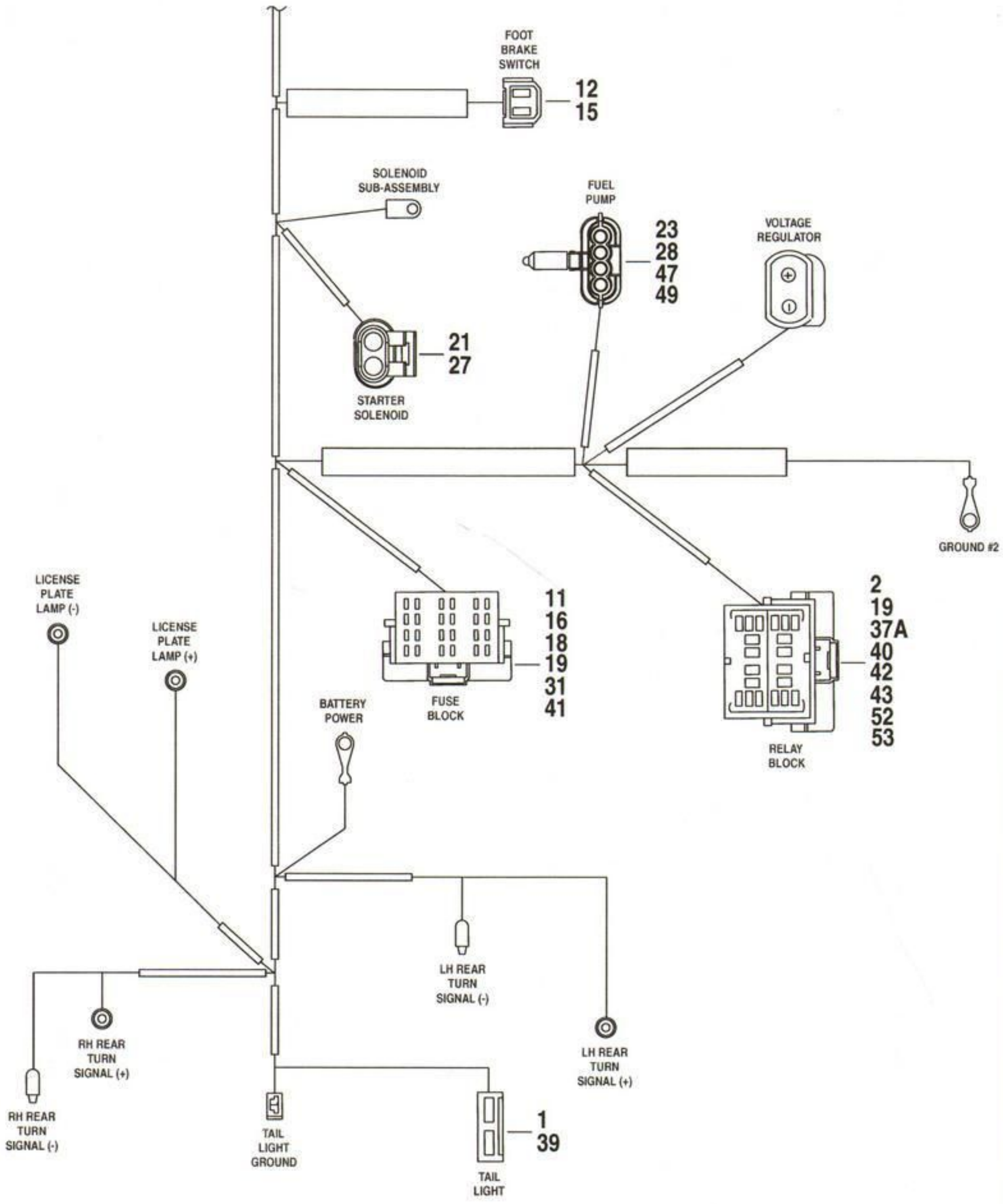
2009 MODEL IDENTIFICATION CODES

HL = 1125R

YL = 1125CR

MAIN WIRE HARNESS

CONTINUED FROM
PREVIOUS PAGE



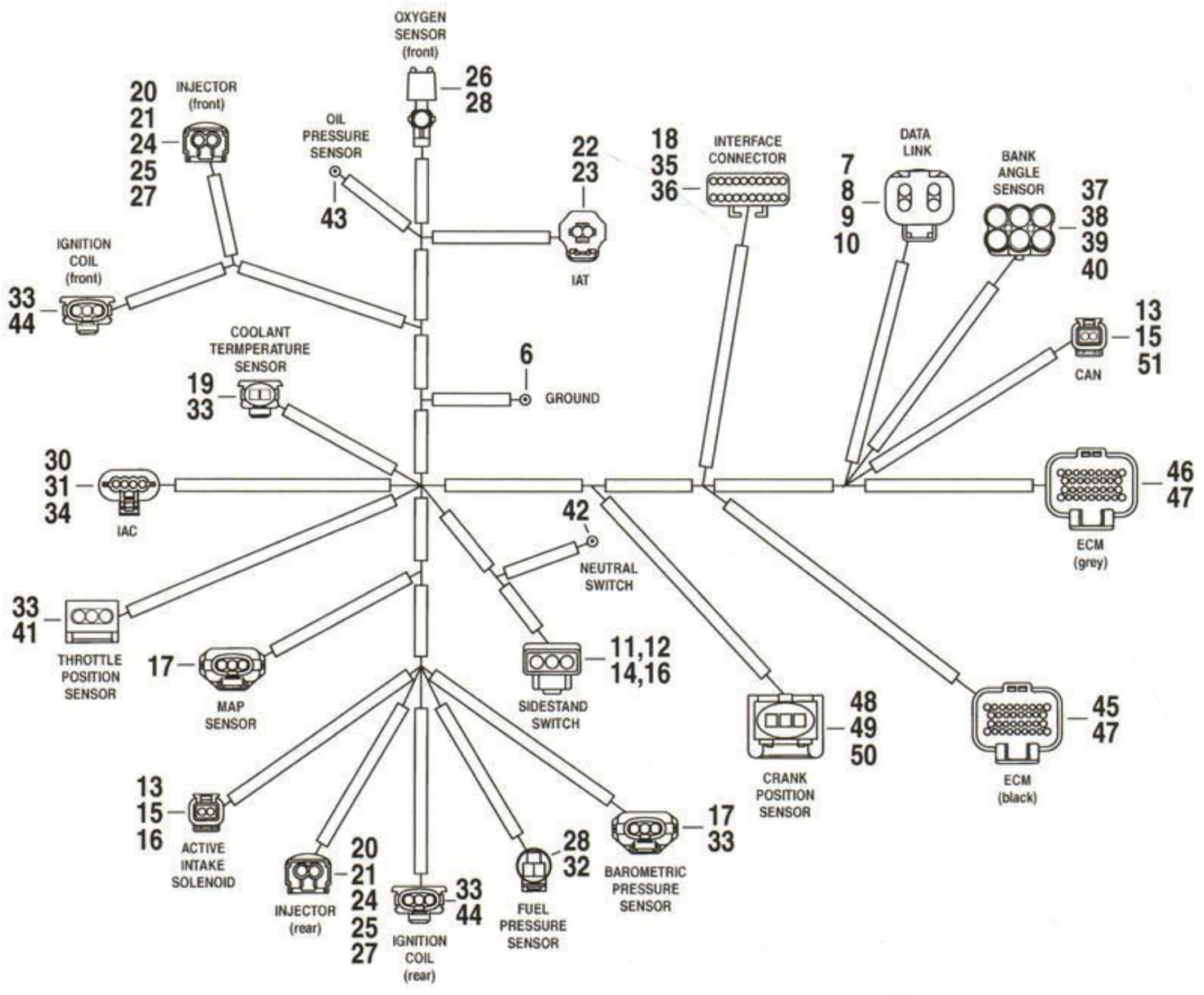
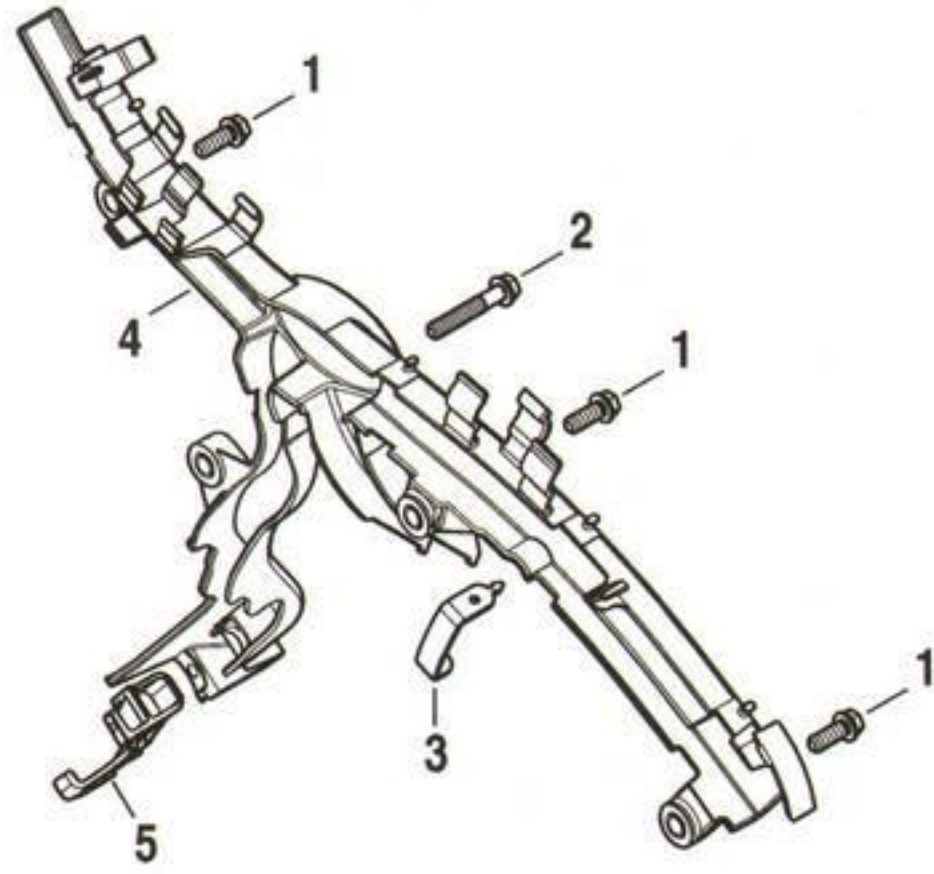
INDEX NO.	PART NO.	DESCRIPTION	MODEL(S)
	Y0136.2AM	MAIN WIRE HARNESS	HL/YL
NOTE: Includes the following parts.			
42	Y0177.1AM	TERMINAL, relay block (2)	HL/YL
43	Y0178.1AM	TERMINAL, relay block (7)	HL/YL
44	Y0181.1AM	NEGATIVE LEAD, horn	HL/YL
45	Y0182.1AM	POSITIVE LEAD, horn	HL/YL
46	Y0186.1AM	TERMINAL, front brake switch (2)	HL/YL
47	Y0215.1AM	TERMINAL, male (4)	HL/YL
48	Y0221.1AM	TERMINAL, receptacle, 16-18 gauge (17)	HL/YL
49	Y0223.1AM	LOCK, 4-pin (black)	HL/YL
50	Y0226.1AK	CONNECTOR, 2-pin (grey)	HL/YL
51	Y0228.1AK	SOCKET, terminal (2)	HL/YL
	Y0303.2B	WIRETIE (not illustrated) (not part of wiring harness)	HL/YL
	Y0317.1AMC	CABLE ASSEMBLY, positive battery	HL/YL
52	Y1200.02A8	RELAY ASSEMBLY, w/ bracket	HL/YL
53	Y1201.02A8	FUSE ASSEMBLY, w/ bracket	HL/YL

2009 MODEL IDENTIFICATION CODES

HL = 1125R

YL = 1125CR

WIRE HARNESS, ENGINE



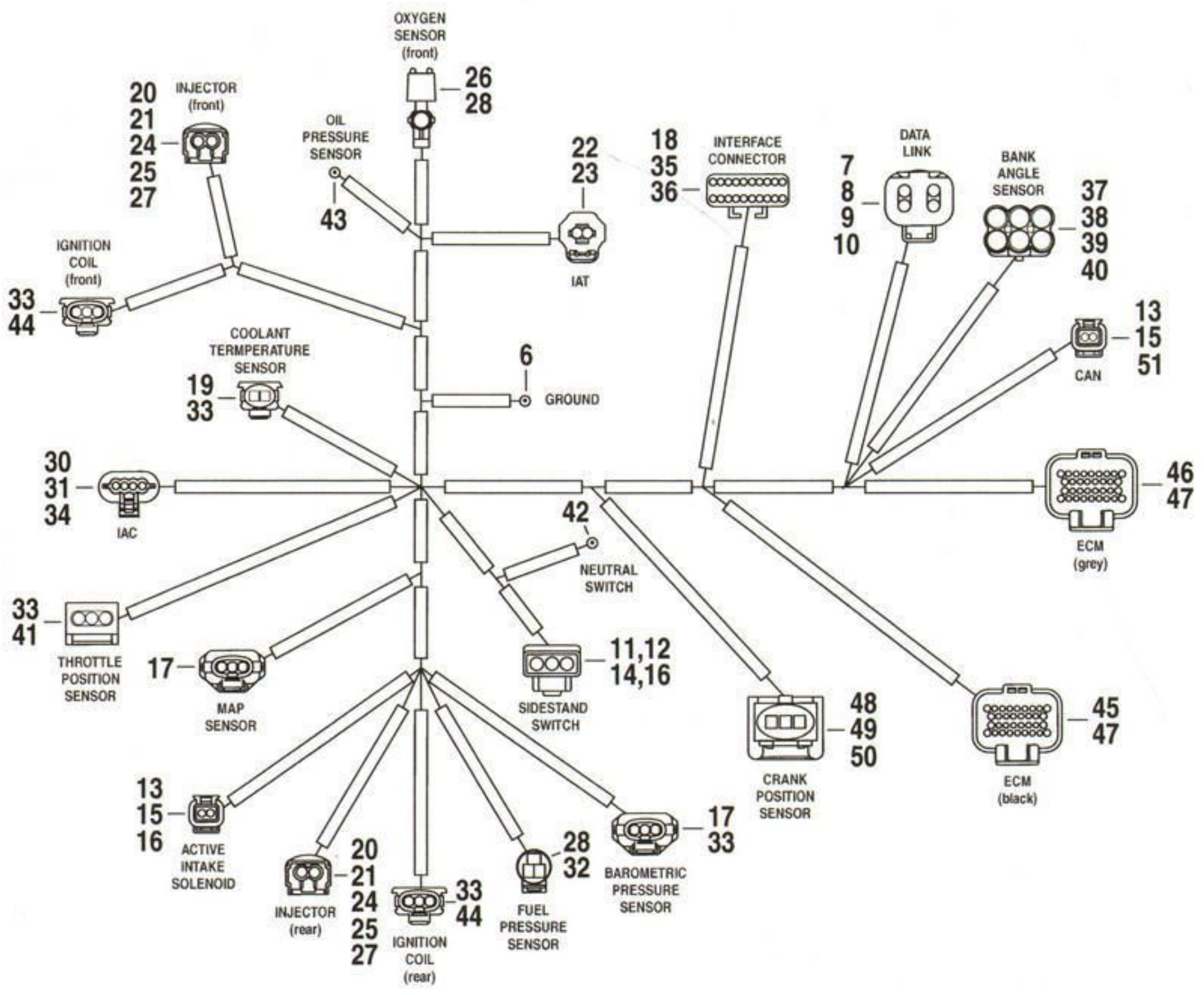
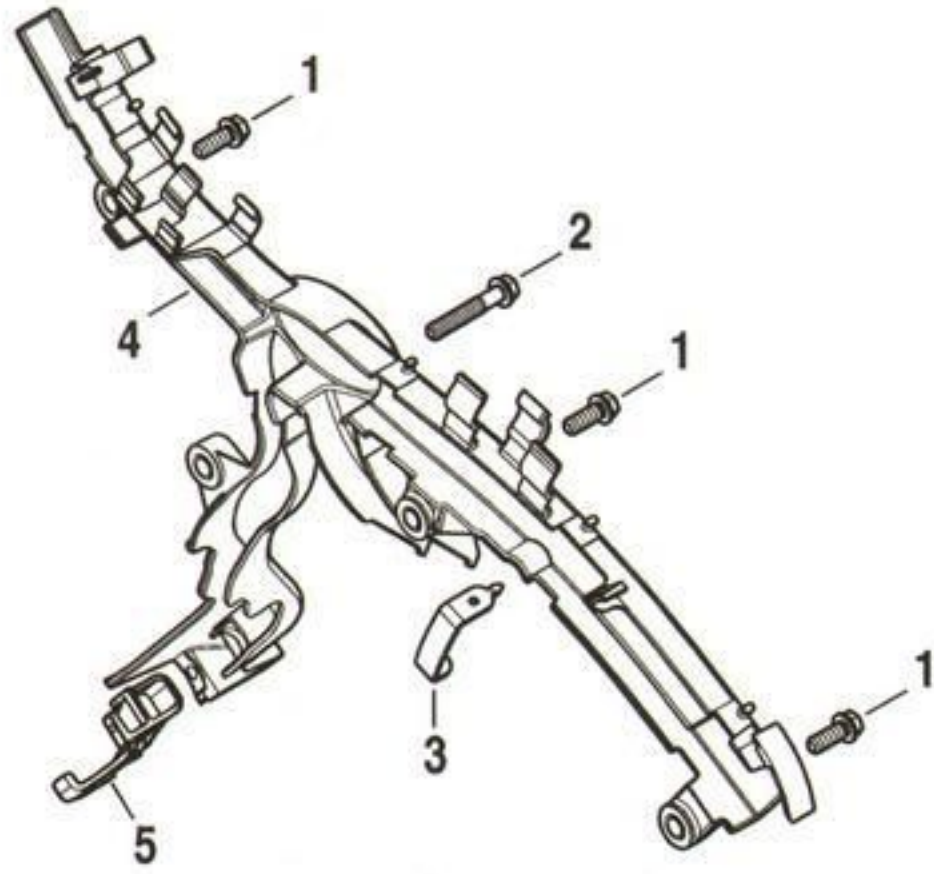
INDEX NO.	PART NO.	DESCRIPTION	MODEL(S)
1	CA0060.1AM	SCREW (3)	HL/YL
2	CA0064.1AM	SCREW	HL/YL
	CA0078.1AM	SCREW (not illustrated)	HL/YL
	CB0044.1AM	WASHER, serrated (not illustrated) (2)	HL/YL
3	CL0001.1AM	RUBBER BAND (7)	HL/YL
4	Y1013.1AMA	HARNESS SUPPORT	HL/YL
5	Y1016.1AM	WIRE CLAMP	HL/YL
	Y0461.2AM	WIRING HARNESS, engine	HL/YL
NOTE: Includes the following parts.			
6	9838	TERMINAL, 18 gauge, rt angle (2)	HL/YL
7	72124-94GY	HOUSING, 4-way pin (grey)	HL/YL
8	72144-94	SECONDARY LOCK, 4-way	HL/YL
9	72164-94A	WEATHER PLUG, 4-way pin	HL/YL
10	72190-94	TERMINAL (4)	HL/YL
11	74103-98BK	HOUSING, 3-way pin (black)	HL/YL
12	74113-98BK	SOCKET HOUSING, 3-way socket (black)	HL/YL
13	74142-98	SECONDARY LOCK, 2-way pin (2)	HL/YL
14	74153-98	SECONDARY LOCK, 3-way socket (black)	HL/YL
15	74190-98	SOCKET, terminal (4)	HL/YL
16	74195-98	SEAL PIN (4)	HL/YL
17	Y0055.1AM	CONNECTOR (2)	HL/YL
18	Y0056.1AM	TERMINAL (17)	HL/YL
19	Y0060.1AM	CONNECTOR	HL/YL
20	Y0062.1AM	TERMINAL (2)	HL/YL
21	Y0064.1AM	WIRE SEAL (2)	HL/YL
22	Y0066.02A8	CONNECTOR, 2-pin (black)	HL/YL
23	Y0067.02A8	TERMINAL (2)	HL/YL
24	Y0067.1AM	TERMINAL (2)	HL/YL
25	Y0068.1AM	WIRE SEAL (2)	HL/YL
26	Y0071.02A8	CONNECTOR, single (black)	HL/YL
27	Y0071.1AM	CONNECTOR (2)	HL/YL
28	Y0072.02A8	TERMINAL	HL/YL
29	Y0072.1AM	TERMINAL (3)	HL/YL
30	Y0073.1AM	WIRE SEAL (4)	HL/YL
31	Y0079.1AM	TERMINAL (4)	HL/YL
	Y0083.1AM	CONNECTOR, for fans, 2-pin (black) (not illustrated) (2)	HL
32	Y0085.1AM	CONNECTOR	HL/YL
33	Y0086.1AM	TERMINAL (17)	HL/YL
34	Y0087.1AM	CONNECTOR	HL/YL
35	Y0095.1AM	CONNECTOR BLADE ASSEMBLY, 20-way	HL/YL
36	Y0097.1AM	CONNECTOR, 20-way (black)	HL/YL
37	Y0129.02A8	CONNECTOR (natural)	HL/YL
38	Y0130.02A8	TERMINAL, socket (3)	HL/YL
39	Y0131.02A8	WIRE SEAL (black) (3)	HL/YL
40	Y0132.02A8	PLUG (black) (3)	HL/YL
41	Y0167.1AM	CONNECTOR	HL/YL

2009 MODEL IDENTIFICATION CODES

HL = 1125R

YL = 1125CR

WIRE HARNESS, ENGINE



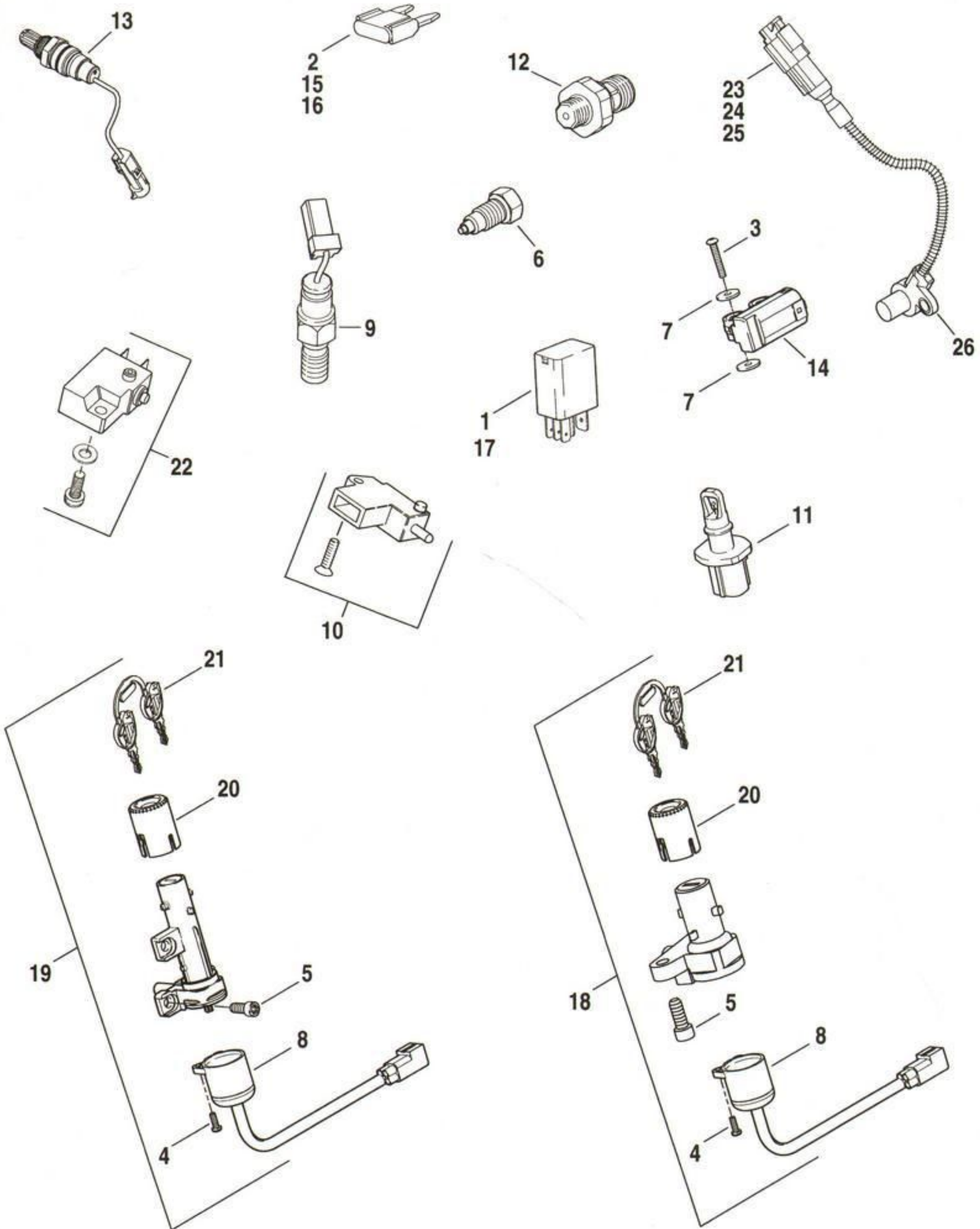
INDEX NO.	PART NO.	DESCRIPTION	MODEL(S)
42	Y0170.1AM	TERMINAL	HL/YL
43	Y0184.1AM	TERMINAL	HL/YL
44	Y0187.1AM	CONNECTOR (2)	HL/YL
45	Y0219.4A8	CONNECTOR, 34-pin (black)	HL/YL
46	Y0221.4A8	TERMINAL, 16 & 18 gauge (49)	HL/YL
47	Y0232.4A8	CONNECTOR, 34-pin (grey)	HL/YL
48	Y0234.5AAA	CONNECTOR, 3-way socket (black)	HL/YL
49	Y0242.5AAA	TERMINAL SOCKET (3)	HL/YL
50	Y0246.5AA	SEAL (3)	HL/YL
51	Y0248.1AM	RESISTOR PLUG	HL/YL
	Y0303.2B	WIRETIE (not illustrated) (not part of wiring harness)	HL/YL

2009 MODEL IDENTIFICATION CODES

HL = 1125R

YL = 1125CR

SWITCHES, SENSORS & ELECTRICAL CONNECTORS



INDEX NO.	PART NO.	DESCRIPTION	MODEL(S)
1	31522-00C	RELAY (3)	HL/YL
2	72462-00	FUSE, 10 amp (5)	HL/YL
3	A04020.24CVB	SCREW (2)	HL/YL
4	CA0007.T	SCREW (2)	HL/YL
5	CA0016.02A8	SCREW (2)	HL/YL
6	CA0038.1AM	SWITCH, neutral	HL/YL
7	CB0008.02A8	WASHER (2)	HL/YL
8	C0152.02A8	BODY, ignition switch	HL
	C0152.1AD	BODY, ignition switch	YL
9	H0203.1AM	SWITCH, brake light	HL/YL
10	N0065.1AM	SWITCH KIT, clutch lever	HL/YL
11	P0138.K	SENSOR, IAT	HL/YL
12	P0221.1AM	PRESSURE SENSOR, fuel rail	HL/YL
13	P0277.5AA	SENSOR, oxygen (2)	HL/YL
14	S0131.02A8	SENSOR, bank angle	HL/YL
15	Y0011.K	FUSE, 15 amp (3)	HL/YL
16	Y0023.1AD	FUSE, 30 amp	HL/YL
17	Y0175.1AM	RELAY	HL/YL
18	Y0724.02A8	IGNITION SWITCH, w/ key	HL
19	Y0724.1AD	IGNITION SWITCH, w/ key	YL
	C0290.1AT	COMPLETE VEHICLE LOCK SET, w/ seat, ignition, fuel cap & key(s) (not illustrated)	YL
	Y0602.02A8	COMPLETE VEHICLE LOCK SET, w/ seat, ignition, fuel cap & key(s) (not illustrated)	HL
20	Y0723.T	HOUSING, ignition switch	HL/YL
21	Y0732.T	KEY SET (specify four - digit key code)	HL/YL
22	Y0820.9	SWITCH KIT, brake lever	HL/YL
INTERNATIONAL MODELS ONLY			
23	74103-98BK	HOUSING, 3-way pin (black) (ENGLAND, EUROPE)	HL/YL
24	74143-98	LOCK, 3-way pin (ENGLAND, EUROPE)	HL/YL
25	74191-98	SOCKET, terminal, 16-20 AWG (ENGLAND, EUROPE) (3)	HL/YL
26	Y0800.1AMC	SWITCH, sidestand (ENGLAND, EUROPE)	HL/YL

2009 MODEL IDENTIFICATION CODES

HL = 1125R

YL = 1125CR

LABELS

9

MARQUE DE FABRIQUE: **Buell** AMERICAN MOTORCYCLES

actuateur du clapet: 19400 "F"

CATÉGORIE DU VÉHICULE: D

XXXXXX.XXX

RENSEIGNEMENTS SUR LE CONTRÔLE DES GAZ ÉMIS PAR LE VÉHICULE
CYLINDRÉE - 1125CC
FAMILLE DU MOTEUR: 9BLXC1.13NCT
FAMILLE DU PERMEATION: 9BLXPMETALWC
CE VÉHICULE EST CONFORMÉ AUX RÉGLEMENTS DE L' USEPA
APPLICABLES AUX MOTOCYCLETES NEUVES DE L' ANNÉE MODÈLE 2009
MOTEUR EXHAUST SYSTÈME DE CONTRÔLE: MFI
SYSTÈME DE CONTRÔLE DES GAZ D' ÉCHAPPEMENT DU MOTEUR:
MODIFICATIONS EFFECTUÉES AU MOTOR
SPÉCIFICATIONS AYANT TRAIT À LA MISE AU POINT DU MOTEUR:
VITESSE DE RALENTI LENTE: 1100-1300 TR-MN
CALAGE DE L'ALLUMAGE: CONTRÔLÉE ELECTRONIQUEMENT
& CAPTEUR VILEBREQUIN ACTIONNÉ.
CARBURANT: SANS PLOMB SEULEMENT
OCTANE MINIMUM: 91
HUILE: SE RÉFÉRER AU MANUEL DU PROPRIÉTAIRE

Buell
XXXXXX.XXX

8

STATIONARY NOISE TEST INFORMATION
TESTED 102 dB(A) AT 5000 RPM
SILENCING SYSTEM: BUELL MOTORCYCLE CO.
IDENTIFICATION: BMI 3-3 DM1

Buell
IN ACCORDANCE WITH
AUSTRALIAN ADR 8309

7

E4 78R-020085

5

CAUTION

Adjust only at mirror surface. Leave stalk in detent position. Adjusting or folding mirrors at stalk base can damage stalk base joint.

NO **YES**

This label to be removed by customer only

XXXXXX.XXX

6

This spark ignition system meets all requirements of the Canadian Interference-Causing Equipment Regulations.
Ce système d'allumage par étincelle satisfait à toutes les exigences du Règlement sur le matériel brouilleur du Canada.

1

FRONT HELIXION

FRONT F. XB

FRONT C. XB

FRONT E. XB

FRONT LAYERS

FRONT B. XB

FRONT A. XB

FRONT D. XB

FRONT XXXXX.XXX

WARNING

The aluminum frame of this motorcycle is the fuel tank. Drilling, welding, cutting, grinding, sanding, polishing or other modifications to this frame can cause a fire or weaken the frame leading to failure, which could result in death or serious injury.

WARNING

Motorcycles are different from other vehicles. They operate, steer, handle and brake differently. Unskilled or improper use could result in loss of control, death or serious injury.

- Take a rider training course.
- Read Owner's Manual before riding, adding accessories or servicing.
- Wear a helmet, eye protection and protective clothing.
- Never tow a trailer.

For a manual, find nearest dealer at 1-800-490-8636 or www.buell.com

3

VEHICLE EMISSION CONTROL INFORMATION:
ENGINE DISPLACEMENT: 1125cc
ENGINE FAMILY: 9BLXC1.13 NCT
PERM FAMILY: 9BLXPMETALWC
THIS VEHICLE CONFORMS TO U.S. EPA REGULATIONS APPLICABLE TO 2009 MODEL YEAR NEW MOTORCYCLES.

ENGINE EXHAUST CONTROL SYSTEM: MFI
ENGINE TUNE UP SPECIFICATIONS:
IGNITION TIMING: ELECTRONICALLY CONTROLLED AND CRANK SENSOR ACTUATED.
SLOW IDLE: 1250-1350 RPM
FUEL: UNLEADED GASOLINE 91 PUMP OCTANE OR HIGHER.
OIL: SEE OWNER'S MANUAL

Buell
BUELL MOTORCYCLE COMPANY

THIS 2009 BLX42A Y081125 MOTORCYCLE MEETS U.S. EPA NOISE EMISSION REQUIREMENTS OF 80 dBA AT 4850 RPM BY THE FEDERAL TEST PROCEDURE. MODIFICATIONS WHICH CAUSE THIS MOTORCYCLE TO EXCEED FEDERAL NOISE STANDARDS ARE PROHIBITED BY FEDERAL LAW. SEE OWNER'S MANUAL.

XXXXXX.XXX

2

VEHICLE EMISSION CONTROL INFORMATION:
ENGINE DISPLACEMENT: 1125 cc
ENGINE FAMILY: 9BLX C1.13 WCT
EVAP FAMILY: 9BLXE0018WCT
PERM FAMILY: 9BLXPMETALWC
THIS VEHICLE CONFORMS TO U.S. EPA AND CALIFORNIA REGULATIONS APPLICABLE TO 2009 MODEL YEAR NEW MOTORCYCLES AND IS CERTIFIED TO 0.8 HC+NOx G/PM ENGINE FAMILY EXHAUST EMISSION STANDARD IN CALIFORNIA. ENGINE EXHAUST CONTROL SYSTEM: MFI

ENGINE TUNE UP SPECIFICATIONS:
IGNITION TIMING: ELECTRONICALLY CONTROLLED AND CRANK SENSOR ACTUATED.
FAST IDLE: 1250-1350 RPM
FUEL: UNLEADED GASOLINE 91 PUMP OCTANE OR HIGHER.
OIL: SEE OWNER'S MANUAL

Buell
BUELL MOTORCYCLE COMPANY

THIS 2009 BLX 42A Y081125 MOTORCYCLE MEETS U.S. EPA NOISE EMISSION REQUIREMENTS OF 80 dBA AT 4850 RPM BY THE FEDERAL TEST PROCEDURE. MODIFICATIONS WHICH CAUSE THIS MOTORCYCLE TO EXCEED FEDERAL NOISE STANDARDS ARE PROHIBITED BY FEDERAL LAW. SEE OWNER'S MANUAL.

FUEL TANK
HOT AIR OUTLET
CANISTER
INDUCTION MODULE PURGE PORT

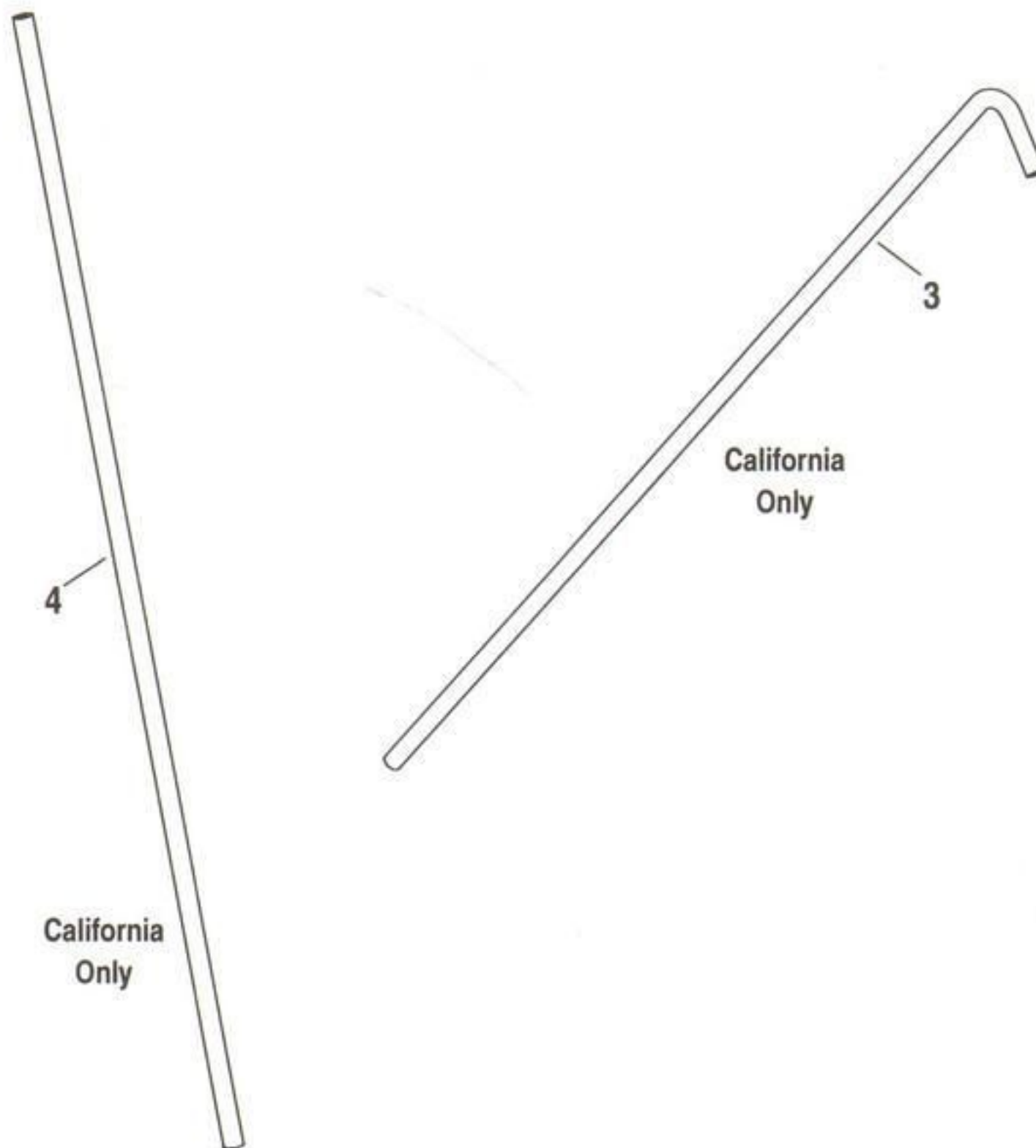
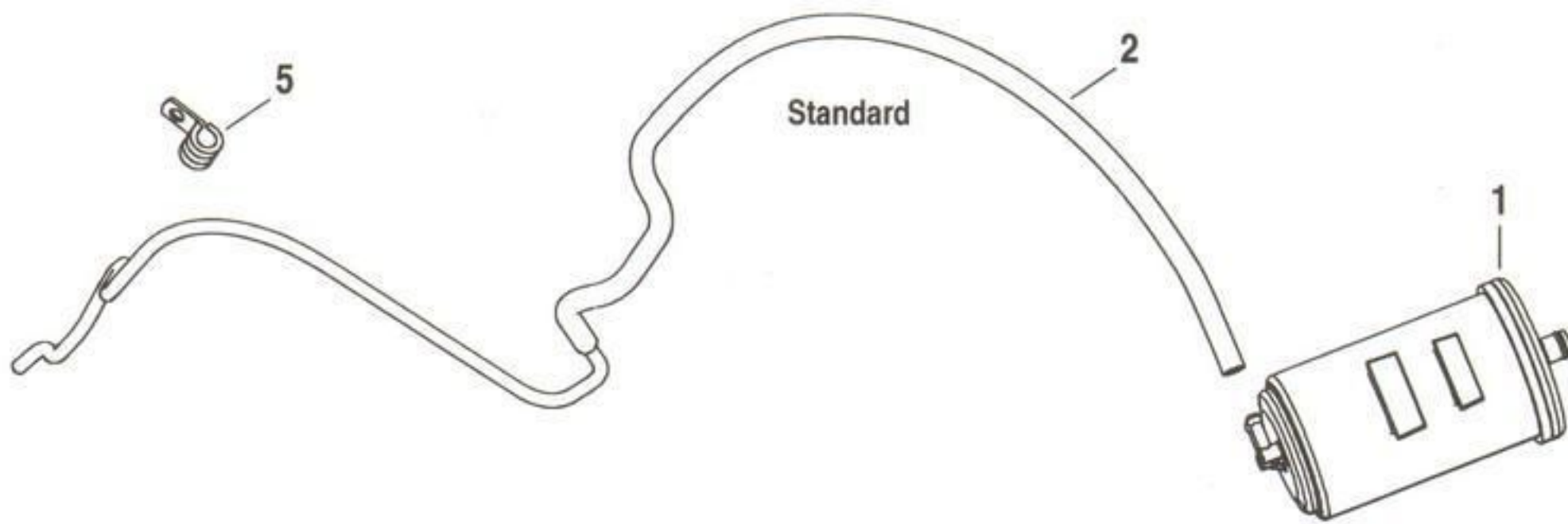
XXXXXX.XXX

INDEX NO.	PART NO.	DESCRIPTION	MODEL(S)
1	C0178.5AAA	LABEL, warning & fuse/relay	HL/YL
2	C0264.2AM	LABEL, EPA (CALIFORNIA)	HL/YL
3	C0265.2AM	LABEL, EPA (DOMESTIC)	HL/YL
4	C0266.2AM	LABEL, EPA (CANADA)	HL/YL
5	C0323.1AM	LABEL, mirror adjustment	HL/YL
6	L1013.1AA	LABEL, EMC (CANADA)	HL/YL

INTERNATIONAL MODELS ONLY

7	C0268.1AM	LABEL, brake test (AUSTRALIA)	HL/YL
8	C0317.1AM	LABEL, noise (AUSTRALIA)	HL/YL
	C0321.1AT	LABEL, emissions (BRAZIL) (not illustrated)	YL
	C0321.2AM	LABEL, emissions (BRAZIL) (not illustrated)	HL
9	C0328.1AM	LABEL, anti-tampering (HDI)	HL/YL

EVAPORATIVE EMISSIONS COMPONENTS



INDEX NO.	PART NO.	DESCRIPTION	MODEL(S)
1	27042-84A	CARBON CANISTER	HL/YL
2	P1032.1AM	HOSE ASSEMBLY, fuel vent w/ Q0300.4A8	HL/YL
3	P0066.1AM	HOSE ASSEMBLY, throttle body to carbon canister (CALIFORNIA ONLY)	HL/YL
4	P0067.1AM	HOSE ASSEMBLY, fuel vent (CALIFORNIA ONLY)	HL/YL
5	Q0300.4A8	CLAMP	HL/YL

2009 MODEL IDENTIFICATION CODES

HL = 1125R

YL = 1125CR

HARDWARE LIST

PART NO.	DESCRIPTION	PART NO.	DESCRIPTION
4312B	SCREW, M6 X 1.0 X 14mm, SEMS flange hd. (stainless)	B0814.4BL	WASHER, 8mm X 14mm external star (black chromate)
6400HB	WASHER, 5/16 X 13/16 X 3/32	B0816.2BL	WASHER, 8mm X 16mm hardened (black chromate)
7495	NUT, M6 flange	B0820.2BL	WASHER, 8mm X 20mm hardened (black chromate)
A04010.24CVB	SCREW, M4-.7 X 10 hex hd. (black olive)	B1020.2BL	WASHER, 10mm X 20mm hardened (black chromate)
A04010.24CXVB	SCREW, M4-.7 X 10 hex hd. w/ lockpatch (black olive)	BA0509.6	WASHER, 5/16 X 9/16 nylon
A04020.24CVB	SCREW, M4-.7 X 20 hex hd. (black olive)	BA0511.2Z	WASHER, 5/16 X 11/16 flat, hardened (zinc)
A05020.19CXSS	SCREW, M5-.8 X 20 allen hd. w/ lockpatch	CA0016.02A8	SCREW, 5/16 X 3/4 torx
A06010.1CCBL	SCREW, M6-1 X 10 hex hd. (black chromate)	CA0020.02A8	BOLT, 5/16-18 X 2-3/8 buttonhead torx
A06010.3CSS	SCREW, M6-1.0 X 10 buttonhead allen (stainless steel)	CA0023.1AM	SCREW, M6-1.0 X 14 torxhead
A06020.1CBL	BOLT, M6-1 X 20 hex hd. (black chromate)	CA0030.1AMA	SCREW, M6 shoulder
A06020.2CVB	BOLT, M6 X 1 X 20 socket hd. (black olive)	CA0041.1AM	SCREW, M8 X 68 hex
A06030.19CXSS	SCREW, M6-1.0 X 30 allen set w/ lockpatch	CA0042.1AM	SCREW, M12 X 1 hex
A08020.2CVB	SCREW, M8-1.25 X 20 socket head (black olive)	CA0048.1AM	SCREW, M4 X 8 taptite
A08025.2CXVB	SCREW, M8-1.25 X 25 socket head (black olive)	CA0049.1AM	SCREW, M6 X 16 taptite
A08030.2CVB	SCREW, M8-1.25 X 30 socket head (black olive)	CA0052.5AA	SCREW, M5 X 25 SHCS (black zinc)
A08035.2CVB	SCREW, M6-1.25 X 35 socket head (black olive)	CA0053.5AA	SCREW, M5 X 40 SHCS (black zinc)
A08045.2CCVB	SCREW, M8-1.25 X 45 socket head (black olive)	CA0058.1AMA	SCREW, M6 X 13 flathead
A08070.2CVB	SCREW, M8-1.25 X 70 socket head (black olive)	CA0059.1AMA	SCREW, M6 X 16 torx
A10030.2CXCVB	SCREW, M10-1.5 X 30 socket head (black olive)	CA0060.1AM	SCREW, M6 X 16 torx flange
A10045.2CCVB	SCREW, M10-1.5 X 45 socket head (black olive)	CA0061.1AM	SCREW, M6 X 20 torx flange
A10085.2CCVB	SCREW, M10 X 1.5 X 85mm hex hd. (black olive)	CA0062.1AM	SCREW, M6 X 25 torx flange
A10180.2CCVB	SCREW, M10 X 1.5 X 180mm hex hd. (black olive)	CA0063.1AM	SCREW, M6 X 30 torx flange
AA0412.11CXZB	SCREW, 1/4-20 X 1.5 TORX truss hd., w/Scotch grip (Grade 2) (bright zinc)	CA0064.1AM	SCREW, M6 X 35 torx flange
AA0508.2CXZB	SCREW, 5/16-18 X 1.0 socket hd., w/Scotch grip (bright zinc)	CA0066.1AM	SCREW, M6 X 45 torx flange
AA0608.2CXZB	SCREW, 3/8-16 X 1.0 socket hd. (bright zinc)	CA0067.1AM	SCREW, M6 X 55 torx flange
AA0609.11CXZB	SCREW, 3/8-16 X 1-1/8 TORX truss hd., w/Scotch grip (bright zinc)	CA0068.1AM	SCREW, M6 X 85 torx flange
AN0808.14CSS	SCREW, No. 8-32 X 1 Phillips pan hd. (stainless)	CA0069.1AM	SCREW, M6 X 105 torx flange
AN1004.21FRZB	SCREW, No. 10-32 X 1/2 thread cutting	CA0070.1AM	SCREW, M8 X 35 torx flange
AN1005.2CZ	SCREW, No. 10-24 X 5/8, socket hd.	CA0077.1AM	SCREW, M8-1.25 X 48 SHCS (black olive)
AN1005.3FSS	SCREW, No. 10-32 X 5/8 button hd. (stainless)	CA0078.1AM	SCREW, M6 X 12 flange
B0409.1BL	WASHER, 4mm X 9mm flat (black chromate)	CA0080.1AM	SCREW, M6 X 45 allen
B0613.1BL	WASHER, 6mm X 13mm flat (black chromate)	CA0081.1AM	SCREW, M8 X 18 allen
		CA0082.1AM	SCREW, M8 X 20 allen
		CA0083.1AM	SCREW, M8 X 25 flat head
		CA0103.1AT	SCREW, M10-1.25 X 20 button head torx (black olive)
		CB0002.9A7	WASHER, 5/16 X 1/2
		CB0008.02A8	WASHER, 3/16 X 5/8 X 1/16
		CB0009.02A8	WASHER, 13/64 X 3/8 X 1/64 nylon
		CB0029.1AM	WASHER, 8.1mm X 18mm X 2mm
		CD0031.1AM	NUT, M12 X 1
		CD0034.1AM	NUT, M24 X 1.5
		CD0035.1AMA	NUT, M8
		D0500.12CCBL	NUT, M5 X 0.8 (black chromate)
		D0600.10CCBL	NUT, M6X1 springlock (black chromate)
		D0600.2CBL	LOCKNUT, M6 X 1 (black)
		D0700.12CBL	NUT, M7 X 1.0 nylock (black chromate)
		D0800.12CCBL	NUT, M5 X 1.25 (black chromate)
		D0800.4FBL	JAM NUT, M8 X 1.025, nylock (black chromate)
		DA0500.10CZ	LOCKNUT, 5/16-18 spring lock (zinc)
		DA0500.2CZ	LOCKNUT, 5/16-18 nylock (zinc)

NEW PARTS LIST

PART NO.	PAGE	PART NO.	PAGE		
53436-97	LAMP.....	105	J0106.1ATXT	TRIPLE CLAMP.....	65
70345-84	RETAINER.....	73	J0106.1ATXT	TRIPLE CLAMP.....	67
70345-84	RETAINER.....	85	J0121.1AMB	FRONT FORK ASSEMBLY.....	69
72195-94	SEAL PIN.....	113	J0121.1AT	FRONT FORK ASSEMBLY.....	69
7495	NUT.....	37	J0122.1AMB	FRONT FORK ASSEMBLY.....	69
A04010.24CVB	SCREW.....	95	J0122.1AT	FRONT FORK ASSEMBLY.....	69
A06010.3CSS	SCREW.....	99	J8113.1AMB	SPRING.....	69
A06020.2CVB	BOLT.....	79	J8139.1AMB	DAMPER ASSEMBLY.....	69
A08020.2CVB	SCREW.....	77	J8142.1AT	SLIDER COMPONENT.....	69
A08020.2CVB	SCREW.....	105	J8143.1AT	SLIDER COMPONENT.....	69
B0613.1BL	WASHER.....	79	J8144.1AT	PRELOAD ADJUSTMENT ASSEMBLY.....	69
B0613.1BL	WASHER.....	107			
B0814.4BL	WASHER.....	73	K0003.1ATYCX	SWINGARM ASSEMBLY.....	79
B1020.2BL	WASHER.....	107	K0003.2AMYCX	SWINGARM ASSEMBLY.....	79
BA0511.2Z	WASHER.....	71	K0007.1ATYCX	SWINGARM ASSEMBLY.....	79
C0051.1AD	RUBBER BOOT.....	105	K0007.2AMYCX	SWINGARM ASSEMBLY.....	79
C0086.1AT	PAD.....	111	K0410.1AMB	REAR SHOCK.....	71
C0088.1AT	FOAM INTERFACE.....	105	K0423.1AMB	SHOCK BODY.....	71
C0123.1AA	CABLE.....	85	L0040.1AMCMBE	LICENSE PLATE BRACKET ASSEMBLY.....	107
C0152.1AD	BODY.....	121			
C0250.02A8	SPRING.....	73	L0059.1AMA	K-BRACKET.....	77
C0264.2AM	LABEL.....	123	L0060.1AMA	K-BRACKET.....	77
C0265.2AM	LABEL.....	123	L0600.2AMYCX	FRAME/FUEL TANK ASSEMBLY KIT.....	73
C0266.2AM	LABEL.....	123	L0600.2AMYCX	FRAME/FUEL TANK ASSEMBLY KIT.....	95
C0290.1AT	COMPLETE VEHICLE LOCK SET.	85	L0601.2AMYCX	FRAME/FUEL TANK ASSEMBLY KIT.....	73
C0290.1AT	COMPLETE VEHICLE LOCK SET.	95	L0601.2AMYCX	FRAME/FUEL TANK ASSEMBLY KIT.....	95
C0290.1AT	COMPLETE VEHICLE LOCK SET.	121	L0601.2AMYCX	FRAME/FUEL TANK ASSEMBLY KIT.....	95
C0374.2AM	CONVOSHIELD.....	99	L0602.2AMYCX	FRAME/FUEL TANK ASSEMBLY KIT.....	75
C0440.1AT	TAPE.....	69	L0602.2AMYCX	FRAME/FUEL TANK ASSEMBLY KIT.....	95
C1580.2AM	PAD.....	73	L0602.2AMYCX	FRAME/FUEL TANK ASSEMBLY KIT.....	95
CA0063.1AM	SCREW.....	31	L0602.2AMYCX	FRAME/FUEL TANK ASSEMBLY KIT.....	95
CA0103.1AT	SCREW.....	107	L0603.2AMYCX	FRAME/FUEL TANK ASSEMBLY KIT.....	75
CB0002.9A7	WASHER.....	67	L0603.2AMYCX	FRAME/FUEL TANK ASSEMBLY KIT.....	95
CB0050.1AMA	THRUST WASHER.....	15	L0603.2AMYCX	FRAME/FUEL TANK ASSEMBLY KIT.....	95
CD0035.1AMA	NUT.....	43	L0605.2AMYCX	FRAME/FUEL TANK ASSEMBLY KIT.....	73
CF0020.1AM	O-RING.....	45	L0605.2AMYCX	FRAME/FUEL TANK ASSEMBLY KIT.....	95
CF0023.1AM	O-RING.....	45	L0605.2AMYCX	FRAME/FUEL TANK ASSEMBLY KIT.....	95
CH0018.1AM	INSERT.....	105	L0605.2AMYCX	FRAME/FUEL TANK ASSEMBLY KIT.....	95
CN0017.2AM	CLAMP.....	23	L0608.2AMYCX	FRAME/FUEL TANK ASSEMBLY KIT.....	75
CP0003.1AT	GROMMET.....	105	L0608.2AMYCX	FRAME/FUEL TANK ASSEMBLY KIT.....	95
CP0005.1AM	GROMMET.....	105			
D0600.2CBL	LOCKNUT.....	97	M0041.1AME	RADIATOR OUTLET DUCT.....	91
D0600.2CBL	LOCKNUT.....	107	M0106.02A8A	REFLECTOR ASSEMBLY.....	69
E0004.02A8B	BEARING.....	61	M0139.1AMA	HEAT DEFLECTOR.....	87
E0005.02A8B	WHEEL BEARINGS.....	63	M0142.1AT	SLIDER.....	79
E0040.1AT	BUSHING.....	79	M0189.1ATA	COVER.....	111
F0070.1AMB	SWING ARM.....	9	M0600.1AMAMBX	WINDSCREEN.....	89
G0110.02A8AYDC	WHEEL ASSEMBLY.....	61	M0600.1AMAMCD	WINDSCREEN.....	89
G0309.02A8AYDC	WHEEL ASSEMBLY.....	63	M0675.1AT	GRAPHIC.....	93
G0400.1ATB	REAR SPROCKET.....	49	M0689.2AM	GRAPHIC.....	65
G0500.1ATA	DRIVE BELT.....	49	M0689.2AM	GRAPHIC.....	93
G0603.1ATZT	BRACKET.....	49	M0724.1AT	GRAPHIC.....	93
H0110.1AMAXT	BRAKE CALIPER ASSEMBLY...	57	M0724A.1AT	GRAPHIC.....	93
H0110.1AMAYDD	BRAKE CALIPER ASSEMBLY...	57	M0725.1AT	GRAPHIC.....	93
H0300.1AMB	BRAKE PAD SET.....	57	M0725.2AM	DECAL.....	93
H1531.1AMA	BRAKE LINE.....	55			
J0105.1AMBYCP	TRIPLE CLAMP.....	65			
J0105.1ATYCX	TRIPLE CLAMP.....	67			

NEW PARTS LIST

PART NO.	PAGE	PART NO.	PAGE		
M0725A.1AT	GRAPHIC.....	93	P1036.2AM	HOSE.....	23
M0725B.2AM	DECAL.....	93	P1036.2AM	HOSE.....	29
M0726.1AT	GRAPHIC.....	93	P1700.1AM	BASEPLATE ASSEMBLY.....	29
M0726.2AM	DECAL.....	93	Q0030A.1AM	OIL LINE.....	97
M0726A.1AT	GRAPHIC.....	93	Q0031A.1AM	OIL LINE.....	97
M0726A.2AM	DECAL.....	93	Q0123.0	CLAMP.....	51
M0731.1AM	DECAL.....	45	Q0300.4A8	CLAMP.....	125
M0741.1AT	GRAPHIC.....	93	Q1002.1AM	OIL COOLER.....	97
M0756.1AMB	TRUNK.....	85	R0026.1AMB	IGNITION COVER ASSEMBLY...	47
M1034.1AMMAW	RADIATOR OUTER SHROUD....	91	R1029A.1AM	DIAPHRAGM RING ASSEMBLY..	45
M1034.1AMMBK	RADIATOR OUTER SHROUD....	91	S0101.2AM	HEADER ASSEMBLY.....	99
M1035.1AMMAW	RADIATOR OUTER SHROUD....	91	S0102.2AM	HEADER ASSEMBLY.....	99
M1035.1AMMBK	RADIATOR OUTER SHROUD....	91	S0175.2AMA	HEAT SHIELD.....	99
M1224.1ATMBK	INTAKE COVER KIT.....	87	S0185.1AMC	GASKET.....	99
M1224.1ATMW	INTAKE COVER KIT.....	87	T1120.2AM	ENGINE ASSEMBLY.....	7
M1224.2AMBK	INTAKE COVER KIT.....	87	T1130.2AM	ENGINE ASSEMBLY.....	7
M1224.2AMMAW	INTAKE COVER KIT.....	87	V0050.1AMA	PISTON RING SET.....	21
M1224.2AMMW	INTAKE COVER KIT.....	87	V0061.1AMA	PIN.....	21
M1601.1ATMBK	WINDSCREEN.....	89	V0200.1AMB	PISTON.....	21
M1601.1ATMW	WINDSCREEN.....	89	X0011.1AMB	PRIMARY DRIVE ASSEMBLY....	43
M1621.1AMMW	FAIRING.....	89	X0015.1AMA	CLUTCH PLATE.....	43
M1621.2AMMAW	FAIRING.....	89	X0041.1AMA	FREE PINION.....	39
M1621.2AMMBK	FAIRING.....	89	X0070.1AMA	OIL SEAL.....	39
M1664.1ATMBK	TAIL SECTION KIT.....	85	X0074.1AMA	CAP.....	45
M1664.1ATMW	TAIL SECTION KIT.....	85	X0076.1AMA	OIL SEAL.....	41
M1664.2AMMAW	TAIL SECTION KIT.....	85	X1008.1AM	CLUTCH SHAFT.....	39
M1664.2AMMBK	TAIL SECTION KIT.....	85	X1035.1AMA	PRESSURE PLATE ASSEMBLY..	43
N0001.B	PLUG.....	73	X1040.1AM	GEAR BOX.....	39
N0037.1ATCZT	HANDLEBAR.....	81	Y0049.02A8	CLIP.....	111
N0054.2ADZT	FOOTPEG SUPPORT.....	73	Y0083.1AM	CONNECTOR.....	117
N0055.2ADZT	FOOTPEG SUPPORT.....	73	Y0092.02A8	TERMINAL.....	113
N0103.1AMB	CLUTCH LINE.....	81	Y0095.1AM	CONNECTOR BLADE ASSEMBLY.....	117
N0161.1AMC	MIRROR.....	107	Y0136.2AM	MAIN WIRE HARNESS.....	113
N0161.1ATA	MIRROR.....	107	Y0136.2AM	MAIN WIRE HARNESS.....	115
N0162.1AMC	MIRROR.....	107	Y0148.1AD	BULB.....	105
N0162.1ATA	MIRROR.....	107	Y0149.1AD	BULB HOLDER.....	105
N0307.1AM	CABLE.....	81	Y0160.5AA	BLOCK TOP COVER.....	113
N0308.1AM	CABLE.....	81	Y0186.1AM	TERMINAL.....	115
N0348.1ATYCX	HANDLEBAR CLAMP.....	67	Y0317.1AMC	CABLE.....	101
N0348.1ATYCX	CLAMP.....	81	Y0317.1AMC	CABLE ASSEMBLY.....	115
N0401.1AMEZT	FOOTPEG SUPPORT.....	73	Y0394.1AMA	SENSOR.....	35
N0402.1AMEZT	FOOTPEG SUPPORT.....	73	Y0439.1AMA	CABLE.....	37
N0402.1ATZT	FOOTPEG SUPPORT.....	73	Y0442.2AM	STATOR ASSEMBLY.....	31
N0554.1AMAZT	HEEL GUARD.....	75	Y0461.2AM	WIRING HARNESS.....	117
N0555.1AMAZT	HEEL GUARD.....	75	Y0500.2AM	INSTRUMENT CLUSTER.....	109
N0628.1AMZT	HEEL GUARD.....	75	Y0500.2AM	INSTRUMENT CLUSTER.....	111
N0629.1AMZT	HEEL GUARD.....	75	Y0533.2AM	FLYWHEEL.....	37
P0026.2AM	INJECTION VALVE.....	27	Y0721.1ATA	HEADLAMP ASSEMBLY.....	105
P0046.1AMB	INTAKE SOLENOID ASSEMBLY..	29	Y1000.1AM	BRACKET.....	75
P0084.1AMH	GASKET.....	29	Y1000.1ATA	BRACKET.....	75
P0089.1AMB	FILTER.....	29	Y1011.1AMA	TOP.....	37
P0130.1AMJ	FUEL PUMP ASSEMBLY.....	95	Y1013.1AMA	HARNESS SUPPORT.....	117
P0138.K	SENSOR.....	29	Y1145.1AT	SUBHARNESS.....	105
P0153.1AT	CAP.....	95	Y1200.02A8	RELAY ASSEMBLY.....	115
P0268.1AMB	FUEL RAIL ASSEMBLY.....	95	Y1201.02A8	FUSE ASSEMBLY.....	115
P1032.1AM	HOSE ASSEMBLY.....	125			

NUMERICAL INDEX

PART NO.	PAGE	PART NO.	PAGE	PART NO.	PAGE	PART NO.	PAGE
.....	27	70345-84.....	85	A06030.19CXSS.....	101	B1020.2BL.....	77
10177.....	109	72104-94BK.....	113	A08020.2CVB.....	59	B1020.2BL.....	107
11289A.....	35	72114-94BK.....	113	A08020.2CVB.....	73	BA0509.6.....	85
18624-01K.....	11	72123-94GY.....	113	A08020.2CVB.....	77	BA0509.6.....	87
18625-01K.....	11	72124-94GY.....	117	A08020.2CVB.....	103	BA0509.6.....	89
18626-01K.....	11	72143-94.....	113	A08020.2CVB.....	105	BA0511.2Z.....	49
18627-01K.....	11	72144-94.....	117	A08025.2CXVB.....	73	BA0511.2Z.....	71
18628-01K.....	11	72154-94.....	113	A08030.2CVB.....	49	C0051.1AD.....	105
18629-01K.....	11	72164-94A.....	117	A08030.2CVB.....	59	C0074.1AK.....	85
18630-01K.....	11	72190-94.....	117	A08030.2CVB.....	65	C0086.1AT.....	111
18631-01K.....	11	72191-94.....	113	A08030.2CVB.....	67	C0088.1AT.....	105
18632-01K.....	11	72194-94.....	113	A08030.2CVB.....	77	C0114.1AM.....	91
18638-01K.....	11	72195-94.....	31	A08035.2CVB.....	69	C0123.1AA.....	85
18639-01K.....	11	72195-94.....	113	A08045.2CCVB.....	49	C0148.T.....	59
18655-01K.....	11	72462-00.....	85	A08045.2CCVB.....	73	C0152.02A8.....	121
18656-01K.....	11	72462-00.....	113	A08045.2CCVB.....	77	C0152.1AD.....	121
18657-01K.....	11	72462-00.....	121	A08045.2CCVB.....	79	C0178.5AAA.....	123
18658-01K.....	11	72604-01BK.....	31	A08070.2CVB.....	49	C0232.TA.....	59
18659-01K.....	11	72644-01.....	31	A08070.2CVB.....	109	C0235.02A8.....	73
18666-01K.....	11	72690-01.....	31	A10030.2CXCVB.....	73	C0249.02A8.....	73
18667-01K.....	11	73102-96BK.....	113	A10045.2CCVB.....	77	C0250.02A8.....	73
18668-01K.....	11	73104-96BK.....	113	A10085.2CCVB.....	71	C0264.2AM.....	123
18669-01K.....	11	73108-96BK.....	113	A10085.2CCVB.....	77	C0265.2AM.....	123
18670-01K.....	11	73190-96.....	113	A10180.2CCVB.....	77	C0266.2AM.....	123
18671-01K.....	11	73198-96.....	91	A12050.2CCVB.....	79	C0268.1AM.....	123
18672-01K.....	11	74103-98BK.....	75	AA0412.11CXZB.....	87	C0290.1AT.....	85
18673-01K.....	11	74103-98BK.....	117	AA0508.2CXZB.....	65	C0290.1AT.....	95
18674-01K.....	11	74103-98BK.....	121	AA0508.2CXZB.....	81	C0290.1AT.....	121
18675-01K.....	11	74113-98BK.....	117	AA0608.2CXZB.....	57	C0317.1AM.....	123
18676-01K.....	11	74142-98.....	117	AA0608.2CXZB.....	73	C0321.1AT.....	123
18677-01K.....	11	74143-98.....	75	AA0609.11CXZB.....	49	C0321.2AM.....	123
18678-01K.....	11	74143-98.....	121	AN0808.14CSS.....	107	C0323.1AM.....	123
18679-01K.....	11	74153-98.....	117	AN1004.21FRZB.....	73	C0328.1AM.....	123
18680-01K.....	11	74190-98.....	117	AN1005.2CZ.....	29	C0374.2AM.....	99
18681-01K.....	11	74191-98.....	75	AN1005.3FSS.....	89	C0440.1AT.....	69
18682-01K.....	11	74191-98.....	121	B0409.1BL.....	59	C1580.2AM.....	73
18683-01K.....	11	74195-98.....	117	B0409.1BL.....	83	C2000.1AM.....	85
18684-01K.....	11	7495.....	37	B0613.1BL.....	31	C2024.1AM.....	85
18685-01K.....	11	9838.....	117	B0613.1BL.....	33	C2040.02A8.....	85
18686-01K.....	11	9839.....	113	B0613.1BL.....	41	C2041.02A8A.....	85
18692-01K.....	11	A04010.24CVB.....	95	B0613.1BL.....	59	C2045.1AK.....	85
18693-01K.....	11	A04010.24CXVB.....	83	B0613.1BL.....	79	C2048.1AM.....	85
18694-01K.....	11	A04010.24CXVB.....	107	B0613.1BL.....	83	C2049.1AM.....	85
18695-01K.....	11	A04020.24CVB.....	59	B0613.1BL.....	91	C2050.1AM.....	85
26780-05A.....	53	A04020.24CVB.....	121	B0613.1BL.....	97	C2051.1AM.....	85
27042-84A.....	125	A05020.19CXSS.....	95	B0613.1BL.....	101	C2052.1AM.....	85
31522-00C.....	113	A06010.1CCBL.....	73	B0613.1BL.....	107	CA0005.9A7.....	63
31522-00C.....	121	A06010.3CSS.....	99	B0814.4BL.....	73	CA0007.T.....	121
4312B.....	101	A06020.1CBL.....	41	B0814.4BL.....	107	CA0014.02A8.....	61
53436-97.....	103	A06020.1CBL.....	59	B0814.4BL.....	109	CA0016.02A8.....	121
53436-97.....	105	A06020.2CVB.....	41	B0816.2BL.....	59	CA0020.02A8.....	49
53436-97.....	107	A06020.2CVB.....	59	B0816.2BL.....	77	CA0020.02A8.....	71
59256-84A.....	69	A06020.2CVB.....	73	B0816.2BL.....	97	CA0023.1AM.....	29
59259-90.....	107	A06020.2CVB.....	79	B0816.2BL.....	99	CA0023.1AM.....	55
6400HB.....	49	A06020.2CVB.....	85	B0816.2BL.....	109	CA0023.1AM.....	81
65958-04.....	101	A06020.2CVB.....	91	B0816.2BL.....	111	CA0023.1AM.....	85
68169-90A.....	107	A06020.2CVB.....	97	B0820.2BL.....	59	CA0023.1AM.....	107
70345-84.....	73	A06030.19CXSS.....	73	B1020.2BL.....	71	CA0030.1AMA.....	29

NUMERICAL INDEX

PART NO.	PAGE	PART NO.	PAGE	PART NO.	PAGE	PART NO.	PAGE
CA0030.1AMA.....	37	CA0082.1AM.....	9	CE0004.1AM.....	41	D0500.12CCBL.....	95
CA0030.1AMA.....	53	CA0083.1AM.....	43	CE0005.1AM.....	21	D0500.12CCBL.....	109
CA0030.1AMA.....	59	CA0086.1AM.....	27	CE0006.1AM.....	45	D0500.12CCBL.....	111
CA0030.1AMA.....	73	CA0087.1AM.....	27	CE0007.1AM.....	47	D0600.10CCBL.....	31
CA0030.1AMA.....	83	CA0103.1AT.....	107	CE0008.1AM.....	27	D0600.10CCBL.....	33
CA0030.1AMA.....	85	CA0200.R.....	55	CF0001.1AM.....	25	D0600.10CCBL.....	37
CA0030.1AMA.....	87	CA0200.R.....	81	CF0002.1AM.....	25	D0600.10CCBL.....	97
CA0030.1AMA.....	89	CA0800.1AM.....	23	CF0003.1AM.....	97	D0600.10CCBL.....	101
CA0030.1AMA.....	91	CA0900.1AM.....	23	CF0007.1AMA.....	45	D0600.2CBL.....	97
CA0030.1AMA.....	107	CA0901.1AM.....	97	CF0010.1AM.....	47	D0600.2CBL.....	107
CA0030.1AMA.....	109	CA2501.1AM.....	13	CF0011.1AM.....	47	D0700.12CBL.....	99
CA0032.1AM.....	23	CB0002.9A7.....	49	CF0013.1AM.....	39	D0800.12CCBL.....	97
CA0034.1AMA.....	19	CB0002.9A7.....	67	CF0014.1AM.....	95	D0800.12CCBL.....	99
CA0035.1AMA.....	9	CB0002.9A7.....	73	CF0015.1AM.....	95	D0800.12CCBL.....	109
CA0036.1AM.....	9	CB0002.9A7.....	77	CF0016.1AM.....	37	D0800.4FBL.....	107
CA0037.1AM.....	17	CB0006.02A8.....	61	CF0017.1AM.....	27	DA0500.10CZ.....	71
CA0038.1AM.....	121	CB0008.02A8.....	121	CF0018.1AM.....	35	DA0500.2CZ.....	49
CA0040.1AM.....	37	CB0009.02A8.....	89	CF0019.1AM.....	51	E0002.1AM.....	73
CA0041.1AM.....	23	CB0012.02A8.....	87	CF0020.1AM.....	45	E0004.02A8B.....	61
CA0041.1AM.....	79	CB0022.1AM.....	39	CF0023.1AM.....	45	E0005.02A8B.....	63
CA0042.1AM.....	39	CB0023.1AM.....	39	CG0002.1AM.....	41	E0006.02A8.....	79
CA0046.1AM.....	39	CB0024.1AM.....	43	CG0003.1AMA.....	41	E0009.1AMC.....	73
CA0048.1AM.....	31	CB0026.1AM.....	43	CG0004.1AM.....	41	E0015.1AM.....	15
CA0049.1AM.....	25	CB0027.1AM.....	45	CG0007.1AMB.....	43	E0016.1AM.....	47
CA0052.5AA.....	81	CB0028.1AM.....	19	CG0009.1AM.....	45	E0017.1AM.....	43
CA0053.5AA.....	81	CB0029.1AM.....	9	CG2501.1AM.....	43	E0018.1AM.....	39
CA0058.1AMA.....	39	CB0034.1AM.....	19	CH0006.1AM.....	43	E0019.1AM.....	39
CA0058.1AMA.....	41	CB0036.1AM.....	73	CH0007.1AM.....	49	E0020.1AM.....	39
CA0059.1AMA.....	41	CB0044.1AM.....	117	CH0007.1AM.....	73	E0021.1AM.....	39
CA0060.1AM.....	27	CB0050.1AMA.....	15	CH0018.1AM.....	103	E0022.1AM.....	39
CA0060.1AM.....	33	CB2501.1AM.....	43	CH0018.1AM.....	105	E0023.1AM.....	41
CA0060.1AM.....	35	CC0001.1AM.....	23	CJ0001.1AM.....	15	E0024.1AM.....	41
CA0060.1AM.....	97	CC0002.1AM.....	21	CJ0001.1AM.....	45	E0025.1AM.....	41
CA0060.1AM.....	117	CC0002.1AM.....	23	CJ0001.1AM.....	47	E0026.1AM.....	41
CA0061.1AM.....	13	CC0003.1AM.....	23	CJ0002.1AM.....	47	E0027.1AM.....	23
CA0061.1AM.....	25	CC0004.1AM.....	25	CJ0003.1AM.....	13	E0028.1AM.....	23
CA0061.1AM.....	97	CC0004.1AM.....	45	CJ0004.1AM.....	97	E0029.1AM.....	13
CA0062.1AM.....	15	CC0005.1AM.....	25	CK0002.1AM.....	43	E0030.1AM.....	41
CA0062.1AM.....	37	CC0006.1AM.....	25	CL0001.1AM.....	117	E0036.1AM.....	109
CA0062.1AM.....	41	CC0007.1AM.....	19	CL0002.1AM.....	23	E0040.1AT.....	79
CA0063.1AM.....	31	CC0008.1AM.....	9	CM0003.1AM.....	23	F0020.1AM.....	13
CA0063.1AM.....	45	CC0009.1AM.....	9	CM0004.1AM.....	45	F0021.1AMA.....	13
CA0063.1AM.....	97	CC0012.1AM.....	39	CM0005.1AM.....	97	F0040.1AM.....	9
CA0064.1AM.....	45	CD0020.1AMA.....	45	CN0001.1AMA.....	27	F0050.1AMA.....	9
CA0064.1AM.....	47	CD0021.1AM.....	73	CN0005.1AM.....	51	F0051.1AMA.....	9
CA0064.1AM.....	117	CD0022.1AM.....	91	CN0009.1AM.....	51	F0052.1AMA.....	9
CA0066.1AM.....	23	CD0026.1AM.....	99	CN0010.1AM.....	51	F0053.1AMA.....	9
CA0067.1AM.....	9	CD0029.1AM.....	29	CN0011.1AM.....	51	F0055.1AM.....	13
CA0068.1AM.....	23	CD0029.1AM.....	73	CN0013.1AMA.....	45	F0058.1AMA.....	13
CA0068.1AM.....	25	CD0029.1AM.....	99	CN0013.1AMA.....	97	F0059.1AM.....	13
CA0069.1AM.....	9	CD0031.1AM.....	45	CN0014.1AM.....	45	F0070.1AMB.....	9
CA0069.1AM.....	23	CD0032.1AM.....	37	CN0017.2AM.....	23	F0080.1AM.....	9
CA0070.1AM.....	27	CD0033.1AM.....	19	CP0003.1AT.....	105	F0085.1AM.....	9
CA0077.1AM.....	99	CD0034.1AM.....	43	CP0005.1AM.....	103	F0086.1AM.....	9
CA0078.1AM.....	23	CD0035.1AMA.....	43	CP0005.1AM.....	105	F0087.1AM.....	9
CA0078.1AM.....	117	CE0001.1AM.....	25	CP0006.1AM.....	97	F0100.1AMA.....	9
CA0080.1AM.....	43	CE0002.1AM.....	39	CR0001.1AM.....	45	F0101.1AM.....	9
CA0081.1AM.....	37	CE0003.1AM.....	39	CR0002.1AM.....	45	F0121.1AMA.....	9

NUMERICAL INDEX

PART NO.	PAGE	PART NO.	PAGE	PART NO.	PAGE	PART NO.	PAGE
F0122.1AM.	9	H0412.01A0.	81	K0440.1AMA.	71	M0580.1AMA.	83
F0123.1AM.	9	H0505.02A8.	61	K0441.1AMA.	71	M0600.1AMAMBX.	89
F0124.1AM.	9	H0506.02A8B.	61	L0040.1AMCMBE.	107	M0600.1AMAMCD.	89
F0140.1AM.	9	H0507.1AMC.	55	L0047.1AMXT.	73	M0649.01A3.	107
F0141.1AM.	9	H1201.02A8A.	61	L0051.1AM.	77	M0649.01A3.	109
F1060.1AM.	9	H1508.1AM.	55	L0052.1AMA.	73	M0649.01A3.	111
F1061.1AM.	9	H1522.1AMA.	59	L0053.1AM.	77	M0675.1AT.	93
F1062.1AM.	9	H1531.1AMA.	55	L0058.1AMA.	73	M0689.2AM.	65
F1063.1AM.	9	J0105.1AMBYCP.	65	L0059.1AMA.	77	M0689.2AM.	93
G0110.02A8AYBX.	61	J0105.1ATYCX.	67	L0060.1AMA.	77	M0703.02A8.	89
G0110.02A8AYCX.	61	J0106.1ATXT.	65	L0090.1AM.	73	M0724.1AT.	93
G0110.02A8AYDC.	61	J0106.1ATXT.	67	L0152A.1AMB.	73	M0724A.1AT.	93
G0120.02A8B.	61	J0114.02A8.	69	L0167.1AMA.	73	M0725.1AT.	93
G0150.1AMB.	61	J0115.02A8.	69	L0174.1AMA.	73	M0725.2AM.	93
G0309.02A8AYBX.	63	J0116.02A8.	69	L0175.1AM.	73	M0725A.1AT.	93
G0309.02A8AYCX.	63	J0121.1AMB.	69	L0198.1AM.	73	M0725B.2AM.	93
G0309.02A8AYDC.	63	J0121.1AT.	69	L0203.1AMC.	73	M0726.1AM.	93
G0313.02A8.	61	J0122.1AMB.	69	L0204.1AM.	73	M0726.1AT.	93
G0313.02A8.	63	J0122.1AT.	69	L0541.02A8.	107	M0726.2AM.	93
G0321.1AMA.	63	J0124.02A8.	69	L0542.02A8.	107	M0726A.1AT.	93
G0323.02A8.	63	J0135.02A8A.	65	L0600.2AMYCX.	73	M0726A.2AM.	93
G0325.02A8.	61	J0135.02A8A.	67	L0600.2AMYCX.	95	M0731.1AM.	45
G0350.1AMB.	63	J8103.1AMA.	69	L0601.2AMYCX.	73	M0731.1AM.	93
G0400.1AMD.	49	J8104.3AK.	69	L0601.2AMYCX.	95	M0741.1AM.	93
G0400.1ATB.	49	J8107.1AMA.	69	L0602.2AMYCX.	75	M0741.1AT.	93
G0440.1AMJ.	39	J8107.1AT.	69	L0602.2AMYCX.	95	M0743.1AM.	93
G0500.1AMF.	49	J8113.1AMB.	69	L0603.2AMYCX.	75	M0756.1AMB.	85
G0500.1ATA.	49	J8117.3AK.	69	L0603.2AMYCX.	95	M1034.1AMMAW.	91
G0603.1AMD.	49	J8126.3AK.	69	L0605.2AMYCX.	73	M1034.1AMMBK.	91
G0603.1ATZT.	49	J8127.3AK.	69	L0605.2AMYCX.	95	M1034.1AMMW.	91
G0614.02A8D.	49	J8128.3AK.	69	L0608.2AMYCX.	75	M1035.1AMMAW.	91
G1441.1AM.	39	J8130.3AK.	69	L0608.2AMYCX.	95	M1035.1AMMBK.	91
H0020.05AH.	57	J8135.1AMA.	69	L0940.1AMBYCP.	89	M1035.1AMMW.	91
H0020.1AM.	55	J8139.1AMB.	69	L0940.1AMBYCP.	109	M1087.02A8MW.	85
H0021.05AH.	57	J8140.3AK.	69	L1013.1AA.	123	M1224.1ATMBK.	87
H0022.F.	57	J8141.02A8.	69	M0032.1AK.	85	M1224.1ATMW.	87
H0022.F.	59	J8142.1AMA.	69	M0038.1AM.	91	M1224.2AMBK.	87
H0026.05AH.	57	J8142.1AT.	69	M0039.1AM.	91	M1224.2AMMAW.	87
H0032.02A8.	57	J8143.1AMA.	69	M0040.1AMD.	91	M1224.2AMMW.	87
H0035.9.	55	J8143.1AT.	69	M0041.1AME.	91	M1601.1ATMBK.	89
H0035.9.	81	J8144.1AMA.	69	M0066.02A8.	85	M1601.1ATMW.	89
H0054.9.	55	J8144.1AT.	69	M0067.02A8.	85	M1621.1AMMW.	89
H0055.9.	55	J8146.3AK.	69	M0068.02A8.	85	M1621.2AMMAW.	89
H0102.1AM.	59	K0003.1ATYCX.	79	M0069.02A8.	85	M1621.2AMMBK.	89
H0110.1AMAXT.	57	K0003.2AMYCX.	79	M0090.02A8.	85	M1662.02A8MW.	87
H0110.1AMAYDD.	57	K0007.1ATYCX.	79	M0091.02A8.	85	M1664.1ATMBK.	85
H0150.02A8A.	63	K0007.2AMYCX.	79	M0106.02A8A.	69	M1664.1ATMW.	85
H0203.1AM.	59	K0101.1AMAXT.	79	M0113.1AM.	31	M1664.2AMMAW.	85
H0203.1AM.	121	K0158.1AK.	79	M0139.1AMA.	87	M1664.2AMMBK.	85
H0205.1AM.	59	K0200.1AMB.	79	M0142.1AT.	79	N0001.B.	73
H0206.1AM.	59	K0402.02A8A.	71	M0189.1ATA.	111	N0001.B.	81
H0300.1AMB.	57	K0403.02A8.	79	M0232.4A8YT.	107	N0002.02A8.	81
H0301.1AM.	59	K0410.1AMB.	71	M0233.4A8YT.	107	N0010.02A8.	81
H0405.9B.	55	K0423.1AMB.	71	M0549.1AM.	107	N0037.1ATCZT.	81
H0405.9B.	59	K0424.1AMA.	71	M0550.1AM.	83	N0050.K.	81
H0405.9B.	81	K0426.02A8.	71	M0560.1AMA.	83	N0051.K.	81
H0412.01A0.	55	K0427.02A8.	71	M0561.1AMA.	83	N0054.2ADZT.	73
H0412.01A0.	59	K0428.1AMA.	71	M0570.1AMA.	83	N0055.2ADZT.	73

NUMERICAL INDEX

PART NO.	PAGE	PART NO.	PAGE	PART NO.	PAGE	PART NO.	PAGE
N0065.1AM.	81	P0119.02A8A.	95	Q0092.1AM.	97	S0185.1AMC.	99
N0065.1AM.	121	P0128.02A8A.	95	Q0095.1AM.	23	T1001.1AM.	21
N0066.1AM.	81	P0130.1AMJ.	95	Q0123.0.	51	T1120.2AM.	7
N0067.1AM.	81	P0138.K.	29	Q0222.1AMA.	51	T1130.2AM.	7
N0103.1AMB.	81	P0138.K.	121	Q0224.1AM.	51	U0001.1AM.	19
N0104.1AMA.	81	P0139.K.	29	Q0225.1AM.	51	U0002.1AMA.	19
N0158.TA.	81	P0139.K.	101	Q0226.1AMB.	51	U0010.1AM.	19
N0159.TB.	81	P0153.02A8.	95	Q0233.1AMA.	51	U0040.1AM.	19
N0161.1AMC.	107	P0153.1AT.	95	Q0234.1AM.	53	U0041.1AM.	19
N0161.1ATA.	107	P0189.1AM.	95	Q0235.1AM.	53	U1014.1AM.	47
N0162.1AMC.	107	P0204.1AM.	27	Q0236.1AM.	51	V0001.1AMA.	9
N0162.1ATA.	107	P0213.1AMA.	29	Q0237.1AM.	51	V0002.1AMA.	9
N0203.9.	55	P0215.1AMA.	29	Q0238.1AM.	51	V0025.1AM.	21
N0203.9.	81	P0221.1AM.	95	Q0239.1AM.	51	V0026.1AM.	9
N0210.R.	55	P0221.1AM.	121	Q0240.1AM.	51	V0050.1AMA.	21
N0210.R.	81	P0228.02A8.	95	Q0250.1AM.	97	V0061.1AMA.	21
N0259.9.	55	P0229.02A8.	95	Q0300.4A8.	125	V0075.1AM.	33
N0307.1AM.	81	P0242.1AM.	95	Q0307.1AMA.	97	V0170.1AM.	9
N0307A.1AM.	81	P0268.1AMB.	95	Q0360.1AM.	25	V0200.1AMB.	21
N0308.1AM.	81	P0277.5AA.	99	Q0361.1AM.	25	V1040.1AM.	21
N0308A.1AM.	81	P0277.5AA.	121	Q0362.1AM.	25	V1041.1AM.	21
N0348.1ATYCX.	67	P0278.1AM.	35	Q0363.1AM.	25	W0005.1AMA.	23
N0348.1ATYCX.	81	P0282.5AA.	27	Q0420.1AM.	9	W0101.1AM.	23
N0401.1AMEZT.	73	P0353.1AMXT.	29	Q0426.1AM.	15	W1001.1AM.	23
N0402.1AMEZT.	73	P0358.1AMG.	29	Q0427.1AM.	15	X0007.1AM.	41
N0402.1ATZT.	73	P0465.1AM.	27	Q0428.1AM.	15	X0009.1AMA.	39
N0425.02A8.	73	P0508.1AM.	35	Q0430.1AM.	15	X0010.1AMA.	41
N0427.02A8A.	73	P0803.1AM.	27	Q0431.1AMA.	15	X0011.1AMB.	43
N0428.02A8.	73	P0803A.1AM.	27	Q1002.1AM.	97	X0012.1AMA.	43
N0429.02A8.	73	P0817.1AM.	27	Q1050.1AM.	23	X0013.1AM.	43
N0513.T.	59	P0851.1AMB.	29	Q1050.1AM.	25	X0014.1AM.	43
N0530.1AM.	59	P1032.1AM.	125	Q1064.1AM.	97	X0015.1AMA.	43
N0552.02A8.	75	P1036.2AM.	23	Q1080.1AM.	97	X0019.1AMB.	43
N0553.02A8.	75	P1036.2AM.	29	Q1127.1AM.	25	X0030.1AM.	43
N0554.1AMAZT.	75	P1700.1AM.	29	Q1350.1AM.	97	X0041.1AMA.	39
N0555.1AMAZT.	75	P1804.1AM.	27	Q1425.1AM.	15	X0042.1AM.	39
N0599.02A8A.	59	Q0015.1AM.	23	R0001.1AM.	45	X0043.1AM.	39
N0600.1AM.	41	Q0021.1AMA.	53	R0007.1AM.	25	X0044.1AM.	39
N0600.1AM.	59	Q0022.1AMA.	53	R0008.1AM.	47	X0045.1AM.	39
N0623.1AM.	75	Q0030A.1AM.	97	R0009.1AM.	45	X0046.1AM.	39
N0628.1AMZT.	75	Q0031A.1AM.	97	R0022.1AM.	45	X0047.1AM.	39
N0629.1AMZT.	75	Q0041.1AM.	23	R0024.1AM.	97	X0048.1AM.	39
N0630.1AM.	41	Q0044.1AM.	97	R0025.1AM.	25	X0049.1AM.	39
N1502.1AM.	75	Q0053.1AMA.	43	R0026.1AMB.	47	X0050.1AM.	39
N1503.1AM.	75	Q0054.1AM.	25	R0027.1AM.	45	X0060.1AM.	45
P0002.02A8.	95	Q0060.1AM.	91	R0111.1AM.	17	X0061.1AM.	41
P0025.1AM.	27	Q0062.1AM.	25	R1001.1AM.	17	X0062.1AM.	39
P0026.2AM.	27	Q0063.1AM.	25	R1021.1AM.	47	X0066.1AMA.	41
P0037.1AMA.	29	Q0065.1AM.	25	R1028.1AM.	45	X0068.1AM.	41
P0046.1AMB.	29	Q0068.1AM.	53	R1029A.1AM.	45	X0069.1AM.	45
P0047.1AMA.	29	Q0070.1AM.	53	S0101.2AM.	99	X0070.1AMA.	39
P0066.1AM.	125	Q0075.1AMA.	23	S0102.2AM.	99	X0071.1AM.	45
P0067.1AM.	125	Q0081.1AM.	25	S0110.1AMJ.	99	X0072.1AM.	45
P0084.1AMH.	29	Q0082.1AM.	97	S0110A.1AMA.	99	X0073.1AM.	45
P0088.1AM.	35	Q0083.1AM.	25	S0131.02A8.	121	X0074.1AMA.	45
P0089.1AMB.	29	Q0084.1AM.	25	S0175.2AMA.	99	X0076.1AMA.	41
P0091.1AM.	35	Q0091.1AM.	23	S0181.1AM.	99	X0077.1AM.	45
P0115.02A8B.	95	Q0091.1AM.	25	S0183.1AM.	99	X0087.1AM.	45

NUMERICAL INDEX

PART NO.	PAGE	PART NO.	PAGE	PART NO.	PAGE	PART NO.	PAGE
X0088.1AM.	39	Y0072.02A8.	113	Y0178.1AM.	115	Y0526.1AM.	107
X0090.1AM.	41	Y0072.02A8.	117	Y0181.1AM.	115	Y0527.1AM.	107
X0091.1AM.	41	Y0072.1AM.	117	Y0182.1AM.	115	Y0533.2AM.	37
X0092.1AM.	41	Y0073.1AM.	117	Y0184.1AM.	119	Y0536.1AM.	37
X0100.1AMA.	43	Y0075.1AM.	113	Y0186.1AM.	115	Y0537.1AM.	37
X0101.1AMA.	43	Y0078.1AM.	113	Y0187.1AM.	119	Y0538.1AMA.	37
X0104.1AM.	43	Y0079.1AM.	117	Y0215.1AM.	115	Y0539.1AM.	37
X0170.1AM.	45	Y0082.1AM.	113	Y0219.4A8.	119	Y0602.02A8.	85
X0170.1AM.	97	Y0083.1AM.	117	Y0221.1AM.	115	Y0602.02A8.	95
X0174.1AM.	45	Y0084.1AM.	113	Y0221.4A8.	119	Y0602.02A8.	121
X1008.1AM.	39	Y0085.1AM.	117	Y0223.1AM.	115	Y0640.1AMA.	35
X1035.1AMA.	43	Y0086.1AM.	117	Y0226.1AK.	115	Y0721.1AM.	103
X1040.1AM.	39	Y0087.1AM.	117	Y0228.1AK.	115	Y0721.1ATA.	105
X1086.1AM.	45	Y0091.02A8.	113	Y0232.4A8.	119	Y0722.1AM.	103
X1202.1AM.	81	Y0092.02A8.	113	Y0234.5AAA.	119	Y0723.T.	121
Y0011.K.	85	Y0095.02A8.	113	Y0242.5AAA.	119	Y0724.02A8.	121
Y0011.K.	113	Y0095.1AM.	117	Y0246.5AA.	119	Y0724.1AD.	121
Y0011.K.	121	Y0096.02A8.	113	Y0248.1AM.	119	Y0725.02A8.	85
Y0021.02A8.	113	Y0097.02A8.	113	Y0300.1AMC.	33	Y0732.T.	85
Y0023.1AD.	113	Y0097.1AM.	117	Y0302.1AMC.	31	Y0732.T.	95
Y0023.1AD.	121	Y0101.02A8.	101	Y0303.2B.	23	Y0732.T.	121
Y0025.1AM.	103	Y0103.02A8.	101	Y0303.2B.	29	Y0800.1AMC.	75
Y0028.02A8.	113	Y0129.02A8.	117	Y0303.2B.	81	Y0800.1AMC.	121
Y0043.02A8.	107	Y0130.02A8.	117	Y0303.2B.	115	Y0820.9.	55
Y0049.02A8.	111	Y0131.02A8.	117	Y0303.2B.	119	Y0820.9.	121
Y0054.02A8.	113	Y0132.02A8.	113	Y0308.TB.	77	Y1000.1AM.	75
Y0055.1AM.	117	Y0132.02A8.	117	Y0317.1AMC.	101	Y1000.1AM.	109
Y0056.1AM.	117	Y0136.2AM.	113	Y0317.1AMC.	115	Y1000.1ATA.	75
Y0057.1AM.	113	Y0136.2AM.	115	Y0321.1AMB.	101	Y1010.1AM.	83
Y0058.1AM.	113	Y0146.1AM.	113	Y0382.1AMB.	35	Y1011.1AMA.	37
Y0059.1AM.	113	Y0148.1AD.	105	Y0383.1AM.	37	Y1012.1AM.	31
Y0060.1AM.	117	Y0149.1AD.	105	Y0386.1AM.	35	Y1013.1AMA.	117
Y0061.1AM.	113	Y0152.1AM.	33	Y0394.1AMA.	35	Y1014.1AM.	37
Y0062.1AM.	117	Y0160.5AA.	113	Y0395.1AM.	37	Y1015.1AM.	101
Y0064.1AM.	117	Y0167.1AM.	117	Y0401.1AD.	107	Y1016.1AM.	117
Y0066.02A8.	117	Y0170.1AM.	119	Y0439.1AMA.	37	Y1018.1AMA.	95
Y0067.02A8.	117	Y0170.5A8.	113	Y0442.2AM.	31	Y1019.1AM.	65
Y0067.1AM.	117	Y0173.1AM.	113	Y0453.1AM.	37	Y1145.1AMA.	103
Y0068.1AM.	117	Y0175.1AM.	113	Y0461.2AM.	117	Y1145.1AT.	105
Y0071.02A8.	113	Y0175.1AM.	121	Y0500.2AM.	109	Y1200.02A8.	115
Y0071.02A8.	117	Y0176.1AM.	113	Y0500.2AM.	111	Y1201.02A8.	115
Y0071.1AM.	117	Y0177.1AM.	115	Y0514.1AM.	107	Y1721.1AM.	103

2009 BUELL® PARTS CATALOG

BUELL® 1125 MODELS



Buell Motorcycle Company
Service Communications • Milwaukee, WI 53208
Printed in the U.S.A.



99572-09Y