



# 1190 RX/SX CHASSIS PARTS

To search for items by name or part number  
used CTRL F and enter the word or words  
you are searching for and then hit ENTER

Torque values are called out next to fasteners

## 2014-15

Version 2-5-2015

**THIS PAGE LEFT BLANK**



### Exhaust System, Side Stand, Wire Harness

ITEM NO.	PART NUMBER	DESCRIPTION	QTY	MODEL	YEAR
1	Q0023.1B7	BRACKET, RADIATOR MOUNT, RIGHT	1	RX/SX	2014/2015
2	Q0024.1B7	BRACKET, RADIATOR MOUNT, LEFT	1	RX/SX	2014/2015
3	CA0023.1B6	SCREW, M6-1.0 X 14, T30 HEAD	2	RX/SX	2014/2015
4	L0058.1B6	BUMPER, SIDE STAND STOP BRACKET	1	RX/SX	2014/2015
5	L0052.1B6	BRACKET, SIDE STAND STOP	1	RX/SX	2014/2015
6	CA0030.1B6	SCREW, SHOULDER, M6 BODYWORK/T30	1	RX/SX	2014/2015
7	S0101.1B7	HEADER ASSEMBLY, FRONT	1	RX/SX	2014/2015
8	S0102.1B7	HEADER ASSEMBLY, REAR	1	RX/SX	2014/2015
9	S0181.1B7	HEADER FLANGE GASKET	2	RX/SX	2014/2015
10	D0700.12CBL	NUT, M7-1.0, FLANGE, CLASS 10, BLACK	8	RX/SX	2014/2015
11	N0401.1B7ZBG	FOOTPEG SUPPORT, RIDER RIGHT	1	RX/SX	2014/2015
12	CB0002.1B6	WASHER, 5/16" ID X 1/2" OD	3	RX/SX	2014/2015
13	A08045.2CZB	SCREW, M8-1.25 X 45 SHCS, CLASS 10.9, CLEAR	2	RX/SX	2014/2015
14	G0603.1AY	IDLER PULLEY BRACKET	1	RX/SX	2014/2015
15	A08035.3CZC	SCREW, M8-1.25 X 35 BHCS, CLASS 10.9, CLEAR	1	RX/SX	2014/2015
16	A08035.2CZK	SCREW, M8-1.25 X 35 SHCS, CLASS 10.9, CLEAR	1	RX/SX	2014/2015
17	S0110.1B7	PRIMARY MUFFLER ASSEMBLY	1	RX/SX	2014/2015
18	S0185.1B7	GASKET, MUFFLER INLET, FRONT HEADER	1	RX/SX	2014/2015
19	S0186.1B7	GASKET, MUFFLER INLET, REAR HEADER	1	RX/SX	2014/2015
20	S0183.1B7	CLAMP, FRONT HEADER TO MUFFLER, 62-70 MM	1	RX/SX	2014/2015
21	S0188.1B7	CLAMP, REAR HEADER TO MUFFLER, 67-74 MM	1	RX/SX	2014/2015
22	B0816.2BL	WASHER, M8 X 16, HARDENED, BLACK	3	RX/SX	2014/2015
23	A08035.2CZK	SCREW, M8-1.25 X 35 SHCS, CLASS 10.9, BLACK	2	RX/SX	2014/2015
24	Y0439.1B7	STARTER SOLENOID LEAD	1	RX/SX	2014/2015
25	B0613.1BL	WASHER, M6 X 13, FLAT, BLACK	1	RX/SX	2014/2015
26	D0600.10CCBL	NUT, M6-1.0, SPRINGLOCK, CLASS 8, BLACK	1	RX/SX	2014/2015
27	CH0007.1B6	SPACER, RIDER FOOTREST MOUNT	2	RX/SX	2014/2015
28	A10030.2XCZK	SCREW, M10-1.5 X 30 SHCS, CLASS 8.8, BLACK, W/ 2510N LOCKPATCH	2	RX/SX	2014/2015
29	L0194.1B6A	SIDE STAND ASSEMBLY	1	RX/SX	2014/2015
30	A08020.2CVB	SCREW, M8-1.25 X 20 SHCS, CLASS 10.9, BLACK	1	RX/SX	2014/2015
31	Y0200.1B7	HARNES, MAIN WIRING	1	RX	2014/2015
31	Y0200.1B9	HARNES, MAIN WIRING	1	SX	2014/2015
32	CL0004.1B6	ZIP TIE, BLACK	1	RX/SX	2014/2015
33	Y1011.1B7	STARTER SOLENOID COVER	1	RX/SX	2014/2015
34	L0204.1B6	SIDE STAND SPRING	1	RX/SX	2014/2015

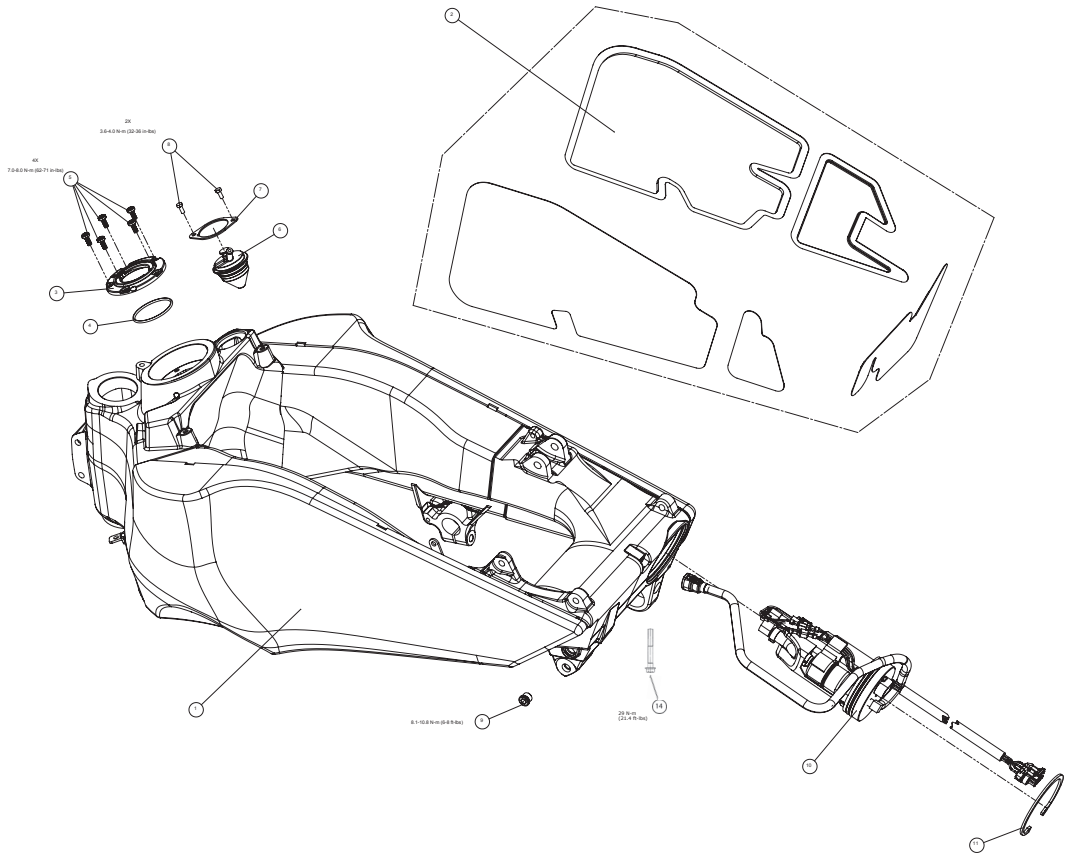




## FOOTPEGS, O2 SENSOR

ITEM NO.	PART NUMBER	DESCRIPTION	QTY	MODEL	YEAR
1	Y0607.1B7	O2 SENSOR	2	RX/SX	2014/2015
2	N0402.1B7ZBG	FOOTPEG SUPPORT, RIDER LEFT	1	RX/SX	2014/2015
3	CH0007.1B6	SPACER, RIDER FOOTREST MOUNT	2	RX/SX	2014/2015
4	CB0002.1B6	WASHER 5/16" ID X 1/2" OD	2	RX/SX	2014/2015
5	A08045.2CZC	SCREW, M8-1.25 X 45 SHCS, CLASS 10.9, ZINKLAD CLEAR	2	RX/SX	2014/2015
6	G0600.1B7	IDLER SPROCKET	1	RX/SX	2014/2015
7	EB0027.1B7	BUSHING, TOP HAT, IDLER SPROCKET	2	RX/SX	2014/2015
8	B0816.2BL	WASHER, M8 X 16, HARDENED, BLACK CHROMATE	1	RX/SX	2014/2015
9	A08060.2CZCZ	SCREW, M8-1.25 X 60 SHCS, CLASS 8.8, BRIGHT ZINC	1	RX/SX	2014/2015
10	Included in 39 below	FOOTPEG CLEVIS, RIDER	2	RX/SX	2014/2015
11	Included in 39 below	FOOTPEG BODY, KNURELD	2	RX/SX	2014/2015
12	Included in 39 below	SLEEVE BUSHING, INSULATING, FOOTPEG	2	RX/SX	2014/2015
13	Included in 39 below	WASHER, 12 X 18 X 1.5, FLAT, STAINLESS STEEL	2	RX/SX	2014/2015
14	Included in 39 below	WASHER, M6 X 12, FLAT, STAINLESS STEEL	2	RX/SX	2014/2015
15	Included in 39 below	SCREW, M6-1.0, SHCS, CLASS 10.9, ZINKLAD BLACK	2	RX/SX	2014/2015
16	N0411.1B7	FOOTPEG END PLUG	2	RX/SX	2014/2015
17	N0556.1B7ZBG	FOOTPEG CLEVIS MOUNT, RIDER	2	RX/SX	2014/2015
18	A10016.3CZ	SCREW, M10-1.5 X 16 BHCS, CLEAR ZINC	2	RX/SX	2014/2015
19	C0235.1B6	PIN, FOOTPEG	2	RX/SX	2014/2015
20	N0425.1B6	CLIP, FOOTPEG	2	RX/SX	2014/2015
21	C0250.1B6	SPRING, RIDER FOOTPEG	2	RX/SX	2014/2015
22	N0555.1B7ZBG	HEEL GUARD, RIDER, RIGHT	1	RX/SX	2014/2015
23	N0554.1B7ZBG	HEEL GUARD, RIDER, LEFT	1	RX/SX	2014/2015
24	A06030.3CSS	SCREW, M6-1.0 X 30 BHCS, STAINLESS STEEL	2	RX/SX	2014/2015
25	A06010.3CSS	SCREW, M6-1.0 X 10 BHCS, STAINLESS STEEL	2	RX/SX	2014/2015
26	N0501.1AY	BRAKE PEDAL	1	RX/SX	2014/2015
27	N0513.1B6	BEARING, PEDAL, PLASTIC	2	RX/SX	2014/2015
28	N0599.1B6	SLEEVE, SHIFT/BRAKE LEVER	1	RX/SX	2014/2015
29	N0516.1B7	TOEPEG, SHIFT/BRAKE PEDAL	2	RX/SX	2014/2015
30	B0613.1BL	WASHER, M6 X 13, FLAT, BLACK CHROMATE	2	RX/SX	2014/2015
31	A06020.1CZK	SCREW, M6-1.0 X 20 HEX HEAD, CLASS 10.9, BLACK CHROMATE	3	RX/SX	2014/2015
32	B0820.2BL	WASHER, M8 X 20, HARDENED, BLACK CHROMATE	1	RX/SX	2014/2015
33	A08030.2CZC	SCREW, M8-1.25 X 30 SHCS, CLASS 10.9, ZINKLAD CLEAR	1	RX/SX	2014/2015
34	H0070.1AY	ROD END BEARING, SPHERICAL, 6 X M8 FEMALE RH	1	RX/SX	2014/2015
35	H0205.1B7	MASTER CYLINDER ASSEMBLY, REAR	1	RX/SX	2014/2015
36	S0175.1B7	HEAT SHIELD, REAR HEADER	1	RX/SX	2014/2015
37	N0601.1B7	SHIFT PEDAL	1	RX/SX	2014/2015
38	A06020.2CZC	SCREW, M6-1.0 X 20 SHCS	1	RX/SX	2014/2015
39	CD0029.1B6	NUT, SPEED CLIP, M6	2	RX/SX	2014/2015
Not shown	S0090.1B7	HEAT SHIELD SUPPORT	1	RX/SX	2014/2015
Not shown	CN0051.1B7	CLAMP	1	RX/SX	2014/2015

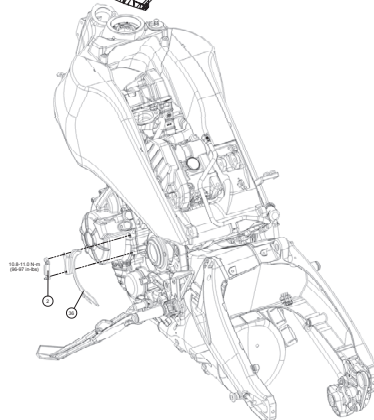
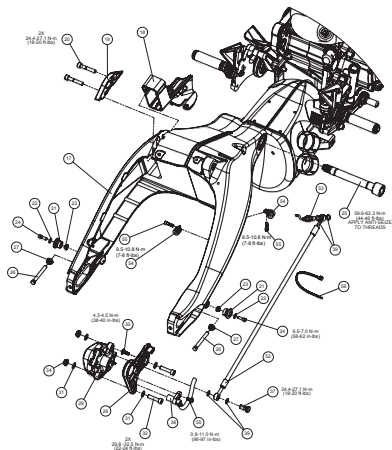
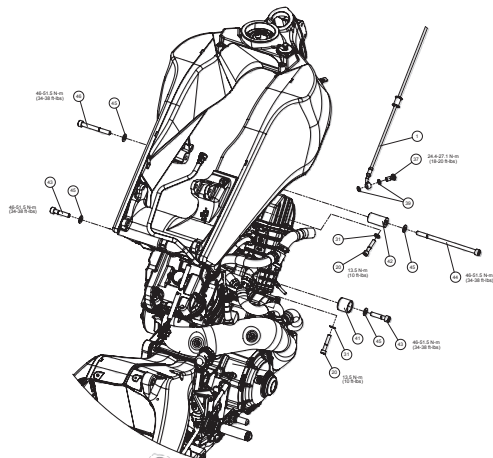
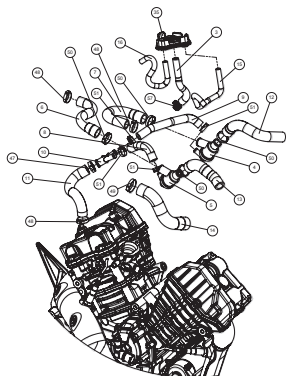
# FRAME



## FRAME

ITEM	PART NUMBER	DESCRIPTION	QT	MODEL	YEAR
1	L0600.1B7YCX	FRAME, RX 49 STATE, Includes 2, 3, 4, 5, 6, 7, 8, 9 and Steering Head Bearings	1	RX	2014
1	L0606.1B7YCX	FRAME, RX 50 STATE, Includes 2, 3, 4, 5, 6, 7, 8, 9 and Steering Head Bearings	1	RX	2014
1	L0606.2B7YCX	FRAME, RX 50 STATE, Includes 2, 3, 4, 5, 6, 7, 8, 9 and Steering Head Bearings	1	RX	2015
1	L0606.1B9YCX	FRAME, SX 50 STATE, Includes 2, 3, 4, 5, 6, 7, 8, 9 and Steering Head Bearings	1	SX	2014
1	L0606.2B9YCX	FRAME, SX 50 STATE, Includes 2, 3, 4, 5, 6, 7, 8, 9 and Steering Head Bearings	1	SX	2015
1	L0602.1B7YCX	FRAME, RX EUROPE, Includes 2, 3, 4, 5, 6, 7, 8, 9 and Steering Head Bearings	1	RX	2014
1	L0602.2B7YCX	FRAME, RX EUROPE, Includes 2, 3, 4, 5, 6, 7, 8, 9 and Steering Head Bearings	1	RX	2015
1	L0602.1B9YCX	FRAME, SX EUROPE, Includes 2, 3, 4, 5, 6, 7, 8, 9 and Steering Head Bearings	1	SX	2014
1	L0602.2B9YCX	FRAME, SX EUROPE, Includes 2, 3, 4, 5, 6, 7, 8, 9 and Steering Head Bearings	1	SX	2015
1	L0603.1B7YCX	FRAME, RX AUSTRALIA, Includes 2, 3, 4, 5, 6, 7, 8, 9 and Steering Head Bearings	1	RX	2014
1	L0603.2B7YCX	FRAME, RX AUSTRALIA, Includes 2, 3, 4, 5, 6, 7, 8, 9 and Steering Head Bearings	1	RX	2015
1	L0603.1B9YCX	FRAME, SX AUSTRALIA, Includes 2, 3, 4, 5, 6, 7, 8, 9 and Steering Head Bearings	1	SX	2014
1	L0603.2B9YCX	FRAME, SX AUSTRALIA, Includes 2, 3, 4, 5, 6, 7, 8, 9 and Steering Head Bearings	1	SX	2015
2	C1580.1B7	KIT, INSULATION, FRAME	1	RX/SX	2014/201
3	P0128.1B7	RETAINING RING, FUEL CAP	1	RX/SX	2014/201
4	CF0048.1B7	O-RING, FUEL CAP RETAINING RING	1	RX/SX	2014/201
5	CA0216.1B7	SCREW, FUEL CAP RETAINING RING	5	RX/SX	2014/201
6	P0115.1B6	FUEL CELL VENT	1	RX/SX	2014/201
7	P0119.1B6	Fuel Cell Vent Retaining Plate	1	RX/SX	2014/201
8	A04010.24CXVB	MACHINE SCREW, M4-7 X 10 HEX HD, BLACK W/ 2510N LOCKPATCH	2	RX/SX	2014/201
9	P0189.1B6	DRAIN PLUG, FUEL PUMP, W/O-RING	1	RX/SX	2014/201
10	P0130.1B7	FUEL PUMP ASSEMBLY	1	RX/SX	2014/201
11	P0242.1B6	RETAINING CLIP, FUEL PUMP	1	RX/SX	2014/201
12	M0267.2B9	FRAME TAB	1	SX	2015
13	M0268.2B9	FRAME TAB	1	SX	2015
14	CA0041.1B6A	SWINGARM PIINCH BOLT	1	RX/SX	2014/201

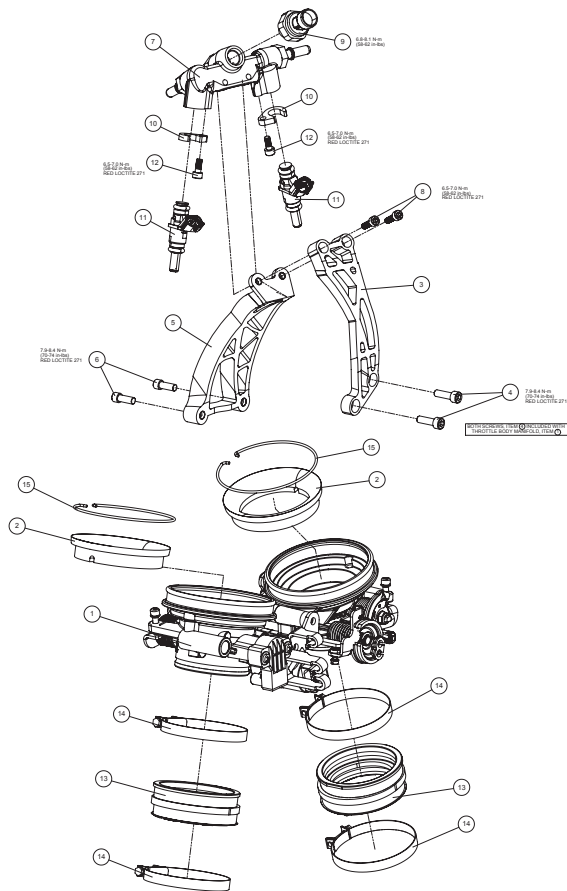
# COOLING HOSES, SWINGARM, ENGINE MOUNTING



## COOLING, HOSES, SWINGARM, ENGINE MOUNTING

ITEM NO.	PART NUMBER	DESCRIPTION	QTY.	MODEL	YEAR
1	X0203.1B7	CLUTCH HYDRAULIC HOSE ASSEMBLY	1	RX	2014/2015
	X0203.1B9	CLUTCH HYDRAULIC HOSE ASSEMBLY	1	SX	2014/2015
2	Y1010.1B6	WIRE GUIDE, FRONT SPROCKET COVER	1	RX, SX	2014/2015
3	P0036.1B7	HOSE, ENGINE BREATHER	1	RX, SX	2014/2015
4	Q0222.1B7	THERMOSTAT HOUSING ASSEMBLY	1	RX, SX	2014/2015
5	Q0273.1B7	THERMOSTAT HOUSING ASSEMBLY	1	RX, SX	2014/2015
6	Q0223.1B7	RADIATOR HOSE, CYLINDER HEAD TO THERMOSTAT, RIGHT	1	RX, SX	2014/2015
7	Q0274.1B7	RADIATOR HOSE, CYLINDER HEAD TO THERMOSTAT, LEFT	1	RX, SX	2014/2015
8	Q0225.1B7	RADIATOR HOSE, RIGHT THERMOSTAT TO Y-FITTING, WATER PUMP	1	RX, SX	2014/2015
9	Q0226.1B7	RADIATOR HOSE, LEFT THERMOSTAT TO Y-FITTING, WATER PUMP	1	RX, SX	2014/2015
10	Q0290.1B7	Y-FITTING, THERMOSTAT TO WATER PUMP	1	RX, SX	2014/2015
11	Q0233.1B7	RADIATOR HOSE, Y-FITTING TO WATER PUMP	1	RX, SX	2014/2015
12	Q0246.1B7	RADIATOR HOSE, LEFT THERMOSTAT TO LEFT RADIATOR	1	RX, SX	2014/2015
13	Q0247.1B7	RADIATOR HOSE, RIGHT THERMOSTAT TO RIGHT RADIATOR	1	RX, SX	2014/2015
14	Q0231.1B7	RADIATOR HOSE, RIGHT RADIATOR TO WATER PUMP	1	RX, SX	2014/2015
15	P0753.1B7	HOSE, FRONT CYLINDER BYPASS PORT	1	RX, SX	2014/2015
16	P0754.1B7	HOSE, REAR CYLINDER BYPASS PORT	1	RX, SX	2014/2015
17	K0100.1B7YCX	SWINGARM	1	RX, SX	2014/2015
18	G0012.1B7	CHAIN SLIDER BLOCK	1	RX, SX	2014/2015
19	K0101.1B6XT	BRACE, SWINGARM	1	RX, SX	2014/2015
20	A08045.2CCVB	SCREW, M8-1.25 X 45 SHCS, CLASS 8.8, BLACK	4	RX, SX	2014/2015
21	M042.1B6	REAR AXLE SLIDER	2	RX, SX	2014/2015
22	B0613.1B6	WASHER, M6 X 13, FLAT, BLACK	2	RX, SX	2014/2015
23	E0040.1B6	TOP HAT BUSHING	2	RX, SX	2014/2015
24	A06016.2CCZK	SCREW, M6-1.0 X 16 SHCS, CLASS 8.8, BLACK	2	RX, SX	2014/2015
25	K0200.1B6	SHAFT, SWINGARM PIVOT	1	RX, SX	2014/2015
26	CA0122.1AY	BOLT, REAR AXLE ADJUSTER	2	RX, SX	2014/2015
27	D0800.12CCBL	NUT, M8-1.25 HEX FLANGE, CLASS 8.8, BLACK	2	RX, SX	2014/2015
28	H0033.1B7	REAR CALIPER CARRIER	1	RX, SX	2014/2015
29	H0102.1B6	REAR CALIPER ASSEMBLY	1	RX, SX	2014/2015
30	CA0030.1B6	SCREW, SHOULDER, M6 BODYWORK T30	1	RX, SX	2014/2015
31	B0816.2B1	WASHER, M8 X 16, HARDENED, BLACK	6	RX, SX	2014/2015
32	A08030.2CZK	SCREW, M8-1.25 X 35 SHCS, CLASS 10.9, BLACK	2	RX, SX	2014/2015
33	CA0023.1B6	SCREW, M6-1.0 X 14, T30 HEAD	1	RX, SX	2014/2015
34	CB0068.1B7	NUT, M8-1.25 SELF-LOCKING FLANGE, CLASS 8, BLACK	2	RX, SX	2014/2015
35	P0731.1B7	AIRBOX SEAL, HOSE MANIFOLD BOOT 1	1	RX, SX	2014/2015
36	G0337.1B7	CHAIN GUIDE, ENGINE SPROCKET	1	RX, SX	2014/2015
37	CA0904.1B6	BANJO BOLT, M10 X 1.25	2	RX, SX	2014/2015
38	Y0394.1B6	SPEED SENSOR	1	RX, SX	2014/2015
39	CB0089.1B6	CRUSH WASHER, COPPER, M10 X 14 X 1.5	4	RX, SX	2014/2015
41	L0051.1B6ZT	PINCH SPOOL, RIGHT REAR	1	RX, SX	2014/2015
42	L0053.1B6ZT	PINCH SPOOL, RIGHT CENTER	1	RX, SX	2014/2015
43	A10045.2CCZK	SCREW, M10-1.5 X 45 SHCS, CLASS 8.8, BLACK	2	RX, SX	2014/2015
44	A10180.2CCZK	SCREW, M10-1.5 X 180 SHCS, CLASS 8.8, BLACK	1	RX, SX	2014/2015
45	B1020.2B1	WASHER, M10 X 20, HARDENED, BLACK	4	RX, SX	2014/2015
46	A10085.2CCVB	SCREW, M10-1.5 X 85 SHCS, CLASS 8.8, BLACK	1	RX, SX	2014/2015
47	CN0024.1AY	1-EAR CLAMP, 25.4 - 28.6MM	1	RX, SX	2014/2015
48	CN0030.1B6	1-EAR CLAMP, 23.9 - 27.1MM	3	RX, SX	2014/2015
49	CN0035.1AY	1-EAR CLAMP, 31.4 - 34.6MM	1	RX, SX	2014/2015
50	CN0046.1B7	HOSE CLAMP, STEPLESS EAR, 26.9 - 30.1 MM	4	RX, SX	2014/2015
51	CN0045.1B7	HOSE CLAMP, STEPLESS EAR, 19.4 - 22.6 MM	4	RX, SX	2014/2015
52	H1522.1B7	BRKE LINE, REAR, ASSEMBLY	1	RX, SX	2014/2015
53	Y0374.1B7	BRAKE LIGHT SWITCH / BANJO BOLT, M10-1.25	1	RX, SX	2014/2015
54	H0403.1B6	CLAMP, LOOP, CUSHIONED	2	RX, SX	2014/2015
55	A06020.2CZK	SCREW, M6-1.0, SHCS, CLASS 10.9, BLACK	3	RX, SX	2014/2015
56	Y0303.1B6	ZIP TIE, BLACK	4	RX, SX	2014/2015
57	CN0017.1B7	HOSE CLAMP, SPRING, TYPE, 19MM	1	RX, SX	2014/2015
Not Shown	H0301.1B6	BRAKE PADS, REAR	1	RX, SX	2014/2015

# THROTTLE BODY



### THROTTLE BODY, FUEL INJECTORS

ITEM NO.	PART NUMBER	DESCRIPTION	QTY	MODEL	YEAR
1	P0803.1B7A	THROTTLE BODY ASSY	1	RX/SX	2014/2015
2	P0025.1B7	INTAKE FUNNEL	2	RX/SX	2014/2015
3	P0426.1B7	SUPPORT, FUEL RAIL, LEFT	1	RX/SX	2014/2015
4	A06020.2CZC	SCREW, M6-1.0 X 20 SHCS, CLASS 8.8, CLEAR	2	RX/SX	2014/2015
5	P0427.1B7	SUPPORT, FUEL RAIL, RIGHT	1	RX/SX	2014/2015
6	A06016.2CCZK	SCREW, M6-1.0 X 16 SHCS, CLASS 8.8, CLEAR	2	RX/SX	2014/2015
7	P0275.1B7	FUEL RAIL MANIFOLD ASSEMBLY, SHOWERHEAD	1	RX/SX	2014/2015
8	A05016.2CCZ	SCREW, M5-0.8 X 16 SHCS, CLASS 8.8, CLEAR	2	RX/SX	2014/2015
9	P0221.1B6	FUEL RAIL PRESSURE SENSOR	1	RX/SX	2014/2015
10	P0423.10B5	Injector Retainer	2	RX/SX	2014/2015
11	P0026.1B6	VALVE, INJECTOR DEKA VII	2	RX/SX	2014/2015
12	A05012.2CZK	SCREW, M5-0.8 X 12 SHCS, CLASS 8.8, ZINC	2	RX/SX	2014/2015
13	P0817.1B6	INTAKE NECK	2	RX/SX	2014/2015
14	CN0001.1B6	CLAMP 73	4	RX/SX	2014/2015
15	CE0008.1B6	SNAP RING 90X2	2	RX/SX	2014/2015
Not Shown	CA0158.1B6	SCREW, IAC	1	RX/SX	2014/2015
Not Shown	CF0061.1B6	O-RING, IAC	1	RX/SX	2014/2015
Not Shown	P0282.1B6	ACTUATOR, IDLE AIR CONTROL	1	RX/SX	2014/2015





### AIRBOX and THROTTLE CABLES

ITEM NO.	PART NUMBER	DESCRIPTION	QTY.	MODEL	YEAR
1	L0059.1B7	I-BRACKET, RIGHT	1	RX,SX	2014/2015
2	L0060.1B7	I-BRACKET, LEFT	1	RX,SX	2014/2015
3	B1020.2BL	WASHER, M10 X 20, HARDENED, BLACK	2	RX,SX	2014/2015
4	B0816.2BL	WASHER, M8 X 16, HARDENED, BLACK	2	RX,SX	2014/2015
5	A08030.2CZK	SCREW, M8-1.25 X 30 SHCS, CLASS 10.9, BLACK	2	RX,SX	2014/2015
6	A10045.2CZCK	SCREW, M10-1.5 X 45 SHCS, CLASS 8.8, BLACK	2	RX,SX	2014/2015
7	E0002.1B7	BEARING, STEERING HEAD, FLANGED, 20 DEG ANGULAR CONTACT	2	RX,SX	2014/2015
8	P0777.1B7	AIR BOX BASEPLATE TUB	1	RX,SX	2014/2015
9	P0071.1B7	HOSE, CARBON CANISTER TO PURGE VALVE	1	RX,SX	2014/2015
10	P0072.1B7	HOSE, PURGE VALVE TO INTAKE MANIFOLD	1	RX,SX	2014/2015
11	P0823.1B9	WIREFORM, CLUTCH HOSE/THROTTLE CABLE RETAINER	1	SX	2014/2015
12	P0725.1B7	AIRBOX SEAL, HARNESS PASS THROUGH	1	RX,SX	2014/2015
13	P0075A.1B7	HOSE, ROLLOVER VENT TO CARBON CANISTER	1	RX,SX	2014
13	P0075.1B7	HOSE, ROLLOVER VENT TO CARBON CANISTER	1	RX,SX	2015
14	P0851.1B7	INTAKE SNORKEL, UPPER	1	RX,SX	2014/2015
15	P0812.1B7	INTAKE SNORKEL, LOWER	1	RX,SX	2014/2015
16	CA0030.1B6	SCREW, SHOULDER, M6-1, CLASS 8.8	1	RX,SX	2014/2015
17	CB0016.1B6	ISOLATING WASHER	1	RX,SX	2014/2015
18	P0213.1B7	AIR FILTER	1	RX,SX	2014/2015
19	P0358.1B7	AIR FILTER RETAINER	1	RX,SX	2014/2015
20	P0721.1B7	AIRBOX SEAL / HOSE MANIFOLD BOOT	1	RX,SX	2014/2015
21	P0026.09B5	INJECTION VALVE DEKA VII TYPE 9	2	RX,SX	2014/2015
22	P0204.1B7	INJECTOR RETAINER, LOWER	2	RX,SX	2014/2015
23	CA0061.1B6	HEX/TORX-FLANGE SCREW M6X20-SW8/T30	2	RX,SX	2014/2015
24	P0254.1B7	PURGE VALVE	1	RX,SX	2014/2015
25	P0490.1B7	CRANKCASE BREATHER CAP / REED BLOCK	1	RX,SX	2014/2015
26	P0046.10B5	REED, CRANKCASE BREATHER	1	RX,SX	2014/2015
27	P0045.10B5	CRANKCASE BREATHER REED RETAINER	1	RX,SX	2014/2015
28	P0089.1B7	COALESCENT FILTER, CRANKCASE BREATHER	1	RX,SX	2014/2015
29	A04005.3CZK	SCREW, M4-0.7 X 5 BHCS, CLASS 10.9, BLACK	1	RX,SX	2014/2015
30	P0139.1B6	GROMMET, IAT	1	RX,SX	2014/2015
31	Y0606.1B7	INTAKE AIR TEMPERATURE SENSOR	1	RX,SX	2014/2015
32	P0236.1B7	FUEL LINE, FUEL RAIL TO FRONT PORT INJECTOR	1	RX,SX	2014/2015
33	P0237.1B7	FUEL LINE, FUEL RAIL TO REAR PORT INJECTOR	1	RX,SX	2014/2015
34	P0244.1B7	FUEL LINE, FUEL PUMP TO SHOWER HEAD FUEL RAIL	1	RX,SX	2014/2015
35	P0733.1B7	AIRBOX SEAL, FUEL LINE PASS THROUGH	1	RX,SX	2014/2015
36	P0046.1B6	ACTIVE INTAKE SOLENOID ASSEMBLY	1	RX,SX	2014/2015
37	P0353.1B7	BRACKET, ACTIVE INTAKE SOLENOID	1	RX,SX	2014/2015
38	AN1005.2CZC	SCREW, 10-24 X 5/8 SHCS, CLEAR	2	RX,SX	2014/2015
39	CA0023.1B6	SCREW, M6-1.0 X 14, T30 HEAD	3	RX,SX	2014/2015
40	CA0030.1B6	SCREW, SHOULDER, M6 BODYWORK/T30	2	RX,SX	2014/2015
41	A08050.2CZC	SCREW, M8-1.25 X 50 SHCS, CLASS 10.9, CLEAR	4	RX,SX	2014/2015
42	P0215.1B7	AIR BOX COVER	1	RX,SX	2014/2015
43	P0385.1B7	AIRBOX COVER RETENTION CLIP	8	RX,SX	2014/2015
44	P0047.1B6	CABLE, ACTIVE INTAKE SOLENOID	1	RX,SX	2014/2015
45	C0370.1B9	GUIDE, CABLE/WIRE	1	SX	2014/2015
46	CM0007.1B9	CLAMP, CUSHIONED, 5/8 ID	1	SX	2014/2015
47	D0600.2CBL	NUT, M6 X 1 NYLOCK, BLACK	1	SX	2014/2015
48	P0210.1B7	CABLE ASSEMBLY, THROTTLE, OPEN AND CLOSE	1	RX,SX	2014/2015
49	B0613.1BL	WASHER, M6 X 13, FLAT, BLACK	1	SX	2014/2015
50	Y1018.1B7	WIRE GUIDE, FUEL PUMP	1	RX,SX	2014/2015
51	CA0060.1B6	HEX/TORX-FLANGE SCREW M6X16-SW8/T30	2	RX,SX	2014/2015





## RADIATORS, OIL COOLER, FANS

ITEM NO.	PART NUMBER	DESCRIPTION	QTY.	MODEL	YEAR
1	Y0308.1B6	HORN	1	RX,SX	2014/2015
2	B0816.2BL	WASHER, M8 X 16, HARDENED, BLACK	1	RX,SX	2014/2015
3	A08020.2CVB	SCREW, M8-1.25 X 20 SHCS, CLASS 10.9, BLACK	1	RX,SX	2014/2015
4	CA0023.1B6	SCREW, M6-1.0 X 14, T30 HEAD	1	RX,SX	2014/2015
5	M0860.1B7	SHROUD, RADIATOR COOLING FAN, LEFT	1	RX,SX	2014/2015
6	M0861.1B7	SHROUD, RADIATOR COOLING FAN, RIGHT	1	RX,SX	2014/2015
7	Q0060.1B7	COOLING FAN	2	RX,SX	2014/2015
8	A05012.10CCVB	BHCS, M5 X .8 X 12, BLACK T20, CLASS 8.8	8	RX,SX	2014/2015
9	Q0021.1B7	RADIATOR, RIGHT, CLEAR	1	RX	2014/2015
	Q0021.1B7YT	RADIATOR, RIGHT, BLACK	1	SX	2014/2015
10	Q0022.1B7	RADIATOR, LEFT, CLEAR	1	RX	2014/2015
	Q0022.1B7YT	RADIATOR, LEFT, BLACK	1	SX	2014/2015
11	CA0030.1B6	SCREW, SHOULDER,M6X1X17 BODYWORK/T30	10	RX,SX	2014/2015
12	CP0006.1B6	RUBBER GROMMETS	4	RX,SX	2014/2015
13	CH0019.10B5	THREADED INSERT	4	RX,SX	2014/2015
14	CA0063.1B6A	HEX/TORX-FLANGE SCREW M6X30-SW8/T30	4	RX,SX	2014/2015
15	CP0023.1B7	RADIATOR GROMMET	5	RX,SX	2014/2015
16	CN0024.1AY	RADIATOR HOSE CLAMP	1	RX,SX	2014/2015
17	CN0025.1AY	RADIATOR HOSE CLAMP	1	RX,SX	2014/2015
18	Q0232.1B7	RADIATOR HOSE	1	RX,SX	2014/2015
19	Q0242.1B7	OVERFLOW, RADIATOR HOSE	1	RX,SX	2014/2015
20	CN0030.1B6	RADIATOR HOSE CLAMP	3	RX,SX	2014/2015
21	Q0071A.1B7	OVERFLOW BOTTLE	1	RX,SX	2014/2015
22	Q0235.1B7	OVERFLOW BOTTLE DRAIN HOSE	1	RX,SX	2014/2015
23	Q0234.1B7	RADIATOR TO OVERFLOW BOTTLE BYPASS HOSE	1	RX,SX	2014/2015
24	Q0072.1B7A	OVERFLOW BOTTLE CAP	1	RX,SX	2014/2015
25	CD0022.1B6	NUT, M6-1.00, SPEED CLIP	1	RX,SX	2014/2015
26	M0344.1B7	RADIATOR DUCT STAND OFF	2	RX,SX	2014/2015
27	M0040.1B7	RADIATOR DUCT LEFT	1	RX,SX	2014/2015
28	M0041.1B7	RADIATOR DUCT RIGHT	1	RX,SX	2014/2015
29	Q0002.1B7	OIL COOLER, CLEAR	1	RX	2014/2015
	Q0002.1B7YT	OIL COOLER, BLACK	1	SX	2014/2015
30	Q0030.1B7	LOWER FEED	1	RX,SX	2014/2015
31	Q0031.1B7	UPPER RETURN	1	RX,SX	2014/2015
32	Q0044.1B7	OIL LINE FITTING, JIFFY-TITE 1/2" X 9/16-18 UNF	2	RX,SX	2014/2015
33	CN0048.1B7	7/16 HOSE CLAMP	3	RX,SX	2014/2015
34	C0409.1B7	DOMESTIC NOISE LABEL	1	RX	2014
34	C0409.1B9	DOMESTIC NOISE LABEL	1	SX	2014
34	C0409.2B7	DOMESTIC NOISE LABEL	1	RX	2015
34	C0409.2B9	DOMESTIC NOISE LABEL	1	SX	2015
36	Q0011.1B7ZT	GRILLE, RADIATOR, BLACK	2	SX	2014/2015
37	CH0060.1B7	SPACER, ISOLATOR 9 X 4.2 X 4	15	SX	2014/2015
38	Q0014.1B7ZT	GRILLE, OIL COOLER, BLACK	1	SX	2014/2015
39	CL0005.1B7	TIE STRAP, BLACK, 6"	30	SX	2014/2015
40	M0352.1B9	SUPPORT BRACKET, SIDE FAIRING, LEFT	1	SX	2014/2015
41	M0351.1B9	SUPPORT BRACKET, SIDE FAIRING, RIGHT	1	SX	2014/2015
42	CA0023.1B6	SCREW, M6X1X14, T30 HEAD	4	SX	2014/2015
43	CD0077.1B7	NUT, SPEED CLIP, M5, W/ RETAINING FEATURE	6	SX	2014/2015

**THIS PAGE LEFT BLANK**

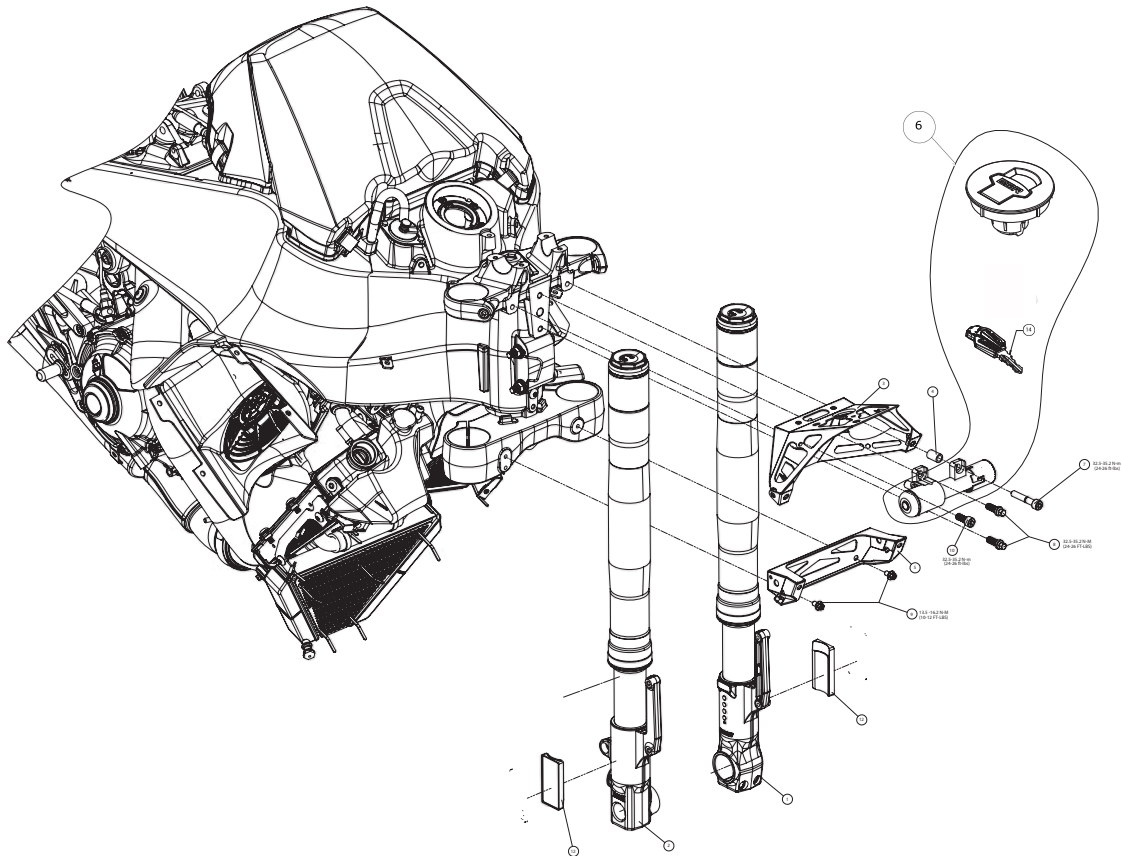


### OUTPUT SPROCKET, TRIPLE CLAMPS

ITEM NO.	PART NUMBER	DESCRIPTION	QTY.	MODEL	YEAR
1	EB0009.1AY	BUSHING, TOP HAT, TRANSMISSION OUTPUT SPROCKET	1	RX/SX	2014/2015
2	G1443.1B6	OUTPUT SPROCKET W NEEDLE BUSHING, 16 TOOTH	1	RX/SX	2014/2015
4	G0441.1B6	RUBBER DAMPER	3	RX/SX	2014/2015
5	G0442.1B6	HUB, TRANSMISSION OUTPUT SPROCKET W INNER RING	1	RX/SX	2014/2015
7	CF0032.1AY	O-RING 31MM ID X 1.5MM VITON75	1	RX/SX	2014/2015
8	CB0061.1AY	WASHER, TRANSMISSION OUTPUT SPROCKET	1	RX/SX	2014/2015
9	CF0013.1B6	O-RING, 11.88 X 1.98, VITON 70	1	RX/SX	2014/2015
10	CA0042.1B6	COLLAR HEX SCREW M12- 1.5 X 65-CLASS 10.9 DIN6922	1	RX/SX	2014/2015
11	L0942.1B7YCX	FAIRING SUPPORT BRACKET	1	RX	2014/2015
12	A08070.2CZK	SCREW, M8-1.25 X 70 SHCS, CLASS 10.9, BLACK	4	RX/SX	2014/2015
13	B0820.2BL	WASHER, M8 X 20, HARDENED, BLACK	8	RX/SX	2014/2015
14	D0800.12CCBL	NUT, M8-1.25 HEX FLANGE, CLASS 8.8, BLACK	2	RX/SX	2014/2015
15	M0649.1B6	GROMMET	3	RX	2014/2015
16	J0106.1B7ZT	LOWER TRIPLE CLAMP ASSEMBLY, BLACK ANODIZED	1	RX/SX	2014/2015
17	J0135.1AYZBG	NUT, STEERING STEM	1	RX/SX	2014/2015
18	A08030.2CZK	SCREW, M8-1.25 X 30 SHCS, CLASS 10.9, BLACK	9	RX/SX	2014/2015
19	J0105.1B7ZBG	UPPER TRIPLE CLAMP, CLEAR ANODIZED	1	RX	2014/2015
19	J0105.1B9ZT	UPPER TRIPLE CLAMP, BLACK	1	SX	2014/2015
20	H0457.1B7	RESERVOIR CAP, STOP PLATE	1	RX/SX	2014/2015
21	Y1018.1B7	WIRE GUIDE, FUEL PUMP	1	RX/SX	2014/2015
22	CA0060.1B7	HEX/TORX-FLANGE SCREW M6X16-SW8/T30	3	RX/SX	2014/2015
23	Y0303.1B6	ZIP TIE, BLACK	3	RX/SX	2014/2015
24	P0813.1B9	WIREFORM, THROTTLE CABLE RETAINER	1	SX	2014/2015



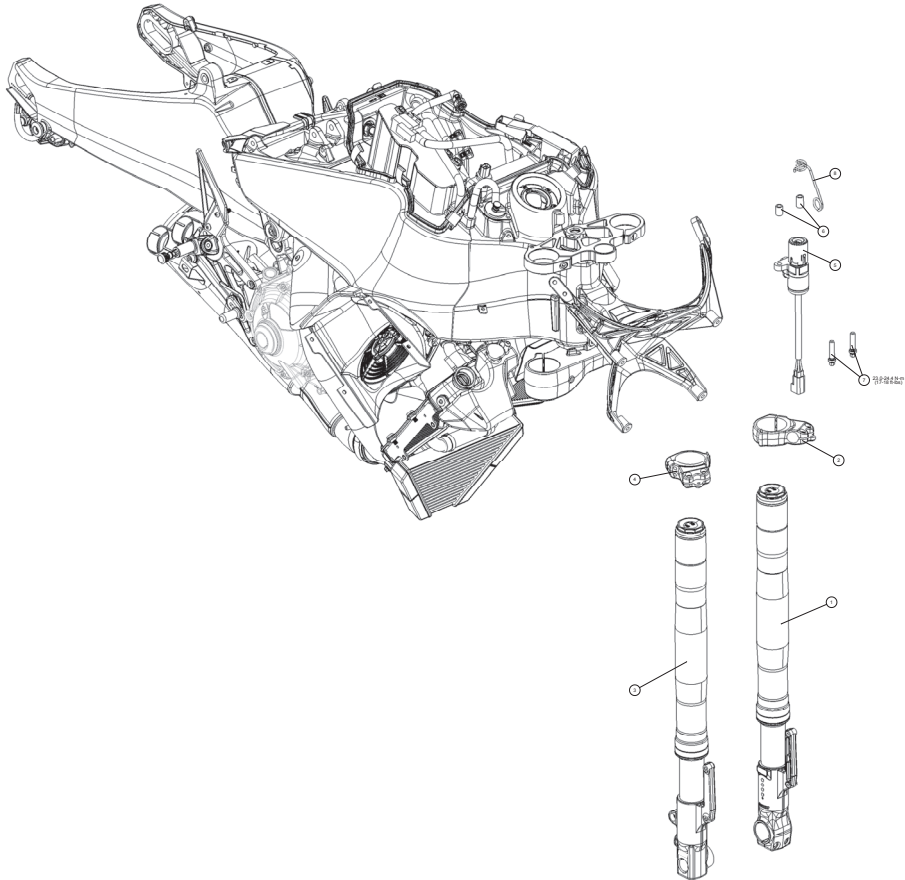
# SX FRONT FORKS, IGNITION, FUEL CAP, FAIRING BRACKETS



### FORKS, SX FAIRING BRACKET, SX IGNITION, LOCKS

ITEM NO.	PART NUMBER	DESCRIPTION	QTY.	MODEL	YEAR
1	J0121.1B7	FORK ASSEMBLY, LH, BPF	1	RX/SX	2014/2015
2	J0122.1B7	FORK ASSEMBLY, RH, BPF	1	RX/SX	2014/2015
3	Y0348.1B9	HEADLIGHT SUPPORT BRACKET, UPPER	1	SX	2014/2015
4	CH0033.1AY	SPACER, IGNITION SWITCH	1	RX/SX	2014/2015
5	Y0352.1B9	HEADLIGHT SUPPORT BRACKET, LOWER	1	SX	2014/2015
6	C0290.1B9	LOCK SET, INCLUDES FUEL CAP, IGNITION SWITCH, TAIL LOCK AND KEYS	1	SX	2014/2015
7	A08045.2CCVB	SCREW, M8-1.25 X 45 SHCS, CLASS 8.8, BLACK	1	SX	2014/2015
8	CA0152.1B9	SCREW, M8-1.25 X 20, HEX HEAD SHOULDER, BREAK-OFF, CLEAR	2	SX	2014/2015
9	A06010.16CZ	SCREW, M6-1.0 X 10, HEX/TORX FLANGE HD, CLASS 10.9, CLEAR	2	SX	2014/2015
10	A08020.2CVB	SCREW, M8-1.25 X 20 SHCS, CLASS 10.9, BLACK	1	SX	2014/2015
11	C1031.1B7	TAPE, 3M VHB # 4941, 57 ± 2 X 25 ± 2 X 1.1	2	RX/SX	2014/2015
12	M0129.1B7	MOUNT, FRONT REFLECTOR	2	RX/SX	2014/2015
13	M0182.1B6	FRONT REFLECTOR	2	RX/SX	2014/2015
14	C0291.1B7	IGNITION KEY (blank, not cut)	1	RX/SX	2014/2015

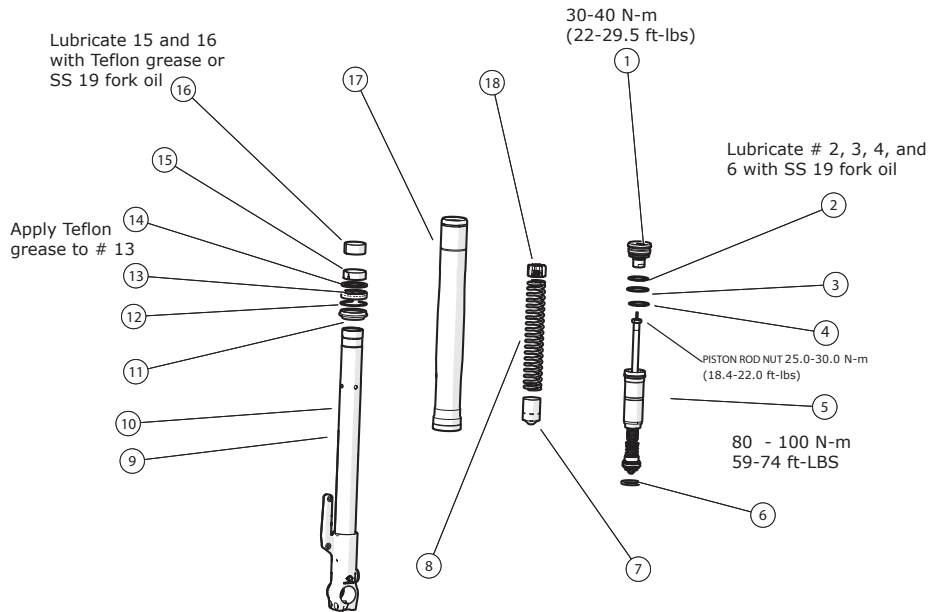
# FORKS, RX FAIRING BRACKET, RX IGNITION, LOCKS, HANDLEBAR CLAMPS



**FORKS, RX FAIRING BRACKET, RX IGNITION, LOCKS, HANDLEBAR CLAMPS**

<b>ITEM</b>	<b>PART NUMBER</b>	<b>DESCRIPTION</b>	<b>QTY.</b>	<b>MODEL</b>	<b>MODEL</b>
1	J0121.1B7	FORK ASSEMBLY, LEFT, BPF	1	RX/SX	2014/2015
2	N0048.1B7ZBG	HANDLEBAR CLAMP, LEFT, CLEAR ANODIZED	1	RX	2014/2015
2	N0048.1B6ZBG	HANDLEBAR CLAMP, LEFT, CLEAR ANODIZED, VORTEX	1	RX	2014/2015
2	N0048.1B6ZT	HANDLEBAR CLAMP, LEFT, BLACK ANODIZED, VORTEX	1	RX	2014/2015
3	J0122.1B7	FORK ASSEMBLY, RIGHT, BPF	1	RX/SX	2014/2015
4	N0047.1B7ZBG	HANDLEBAR CLAMP, RIGHT, CLEAR ANODIZED	1	RX	2014/2015
4	N0047.1B6ZBG	HANDLEBAR CLAMP, RIGHT, CLEAR ANODIZED, VORTEX	1	RX	2014/2015
4	N0047.1B6ZT	HANDLEBAR CLAMP, RIGHT, BLACK ANODIZED, VORTEX	1	RX	2014/2015
5	C0290.1B6	LOCK SET, INCLUDES FUEL CAP, IGNITION SWITCH, TAIL LOCK AND KEYS	1	RX	2014/2015
6	CH0033.1AY	SPACER, IGNITION SWITCH	2	RX	2014/2015
7	CA0217.1B7	SCREW, M8-1.25 X 35, HEX HEAD SHOULDER, BREAK-OFF, CLEAR	2	RX	2014/2015
8	P0813.1B7	WIREFORM, THROTTLE CABLE RETAINER	1	RX	2014/2015

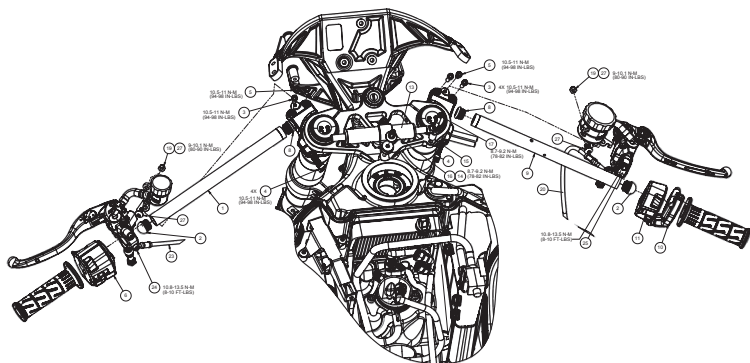
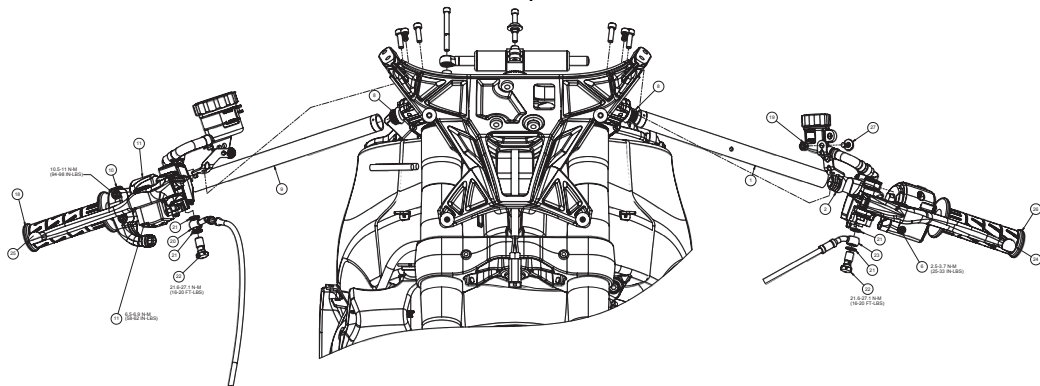
### FRONT FORKS, EXPLODED VIEW



### FRONT FORKS EXPLODED VIEW

ITEM	PART NUMBER	DESCRIPTION	QT	MODEL	YEAR
1	J8144.1B7	FORK CAP, Includes O-ring, 2	1	RX/SX	2014/2015
2	J8104.1B7	O-RING, FORK CAP	1	RX/SX	2014/2015
3	J8131.1B7	PISTON RING	1	RX/SX	2014/2015
4	J8105.1B7	O-RING, FORK	1	RX/SX	2014/2015
5	J8139.1B7	PISTON ROD ASSEMBLY, includes 1, 2, 3, 4 and 6	1	RX/SX	2014/2015
6	J8137.1B7	PISTON RING, SPLIT	1	RX/SX	2014/2015
7	J8135.1B7	SPRING COLLAR	1	RX/SX	2014/2015
8	J8113.1B7	SPRING	1	RX/SX	2014/2015
9	J8142.1B7	FORK LOWER, LEFT	1	RX/SX	2014/2015
10	J8143.1B7	FORK LOWER, RIGHT	1	RX/SX	2014/2015
11	J8130.1B7	DUST SEAL	1	RX/SX	2014/2015
12	J8126.1B7	OIL SEAL STOPPER RING	1	RX/SX	2014/2015
13	J8127.1B7	OIL SEAL	1	RX/SX	2014/2015
14	J8128.1B7	SEAL SPACER	1	RX/SX	2014/2015
15	J8140.1B7	GUIDE BUSHING, COPPER OD	1	RX/SX	2014/2015
16	J8138.1B7	SLIDE BUSHING, COPPER ID	1	RX/SX	2014/2015
17	J8107.1B7	OUTER TUBE	1	RX/SX	2014/2015
18	J8170.1B7	SPRING COLLAR B	1	RX/SX	2014/2015

# RX HANDLEBARS, HAND CONTROLS



## RX HANDLEBARS, HAND CONTROLS

ITEM NO.	PART NUMBER	DESCRIPTION	QTY	MODEL	YEAR
1	N0205.1B7ZBG	HANDLEBAR TUBE, LEFT, CLEAR ANODIZED	1	RX	2014/2105
1	N0205.1B6ZT	HANDLEBAR TUBE, LEFT, BLACK	1	RX	2014/2105
2	N0053.1B7	PLUG, DOMED, HANDLEBAR	2	RX/SX	2014/2105
3	A06020.2CZC	SCREW, M6-1.0 X 20 SHCS, CLASS 10.9, BLACK	4	RX	2014/2105
4	A06025.2CCZC	SCREW, M6-1.0 X 25 SHCS, CLASS 8.8, CLEAR	4	RX	2014/2105
5	A06010.2CCZC	SCREW, M6-1.0 X 10 SHCS, CLASS 8.8, CLEAR	2	RX	2014/2105
6	Y0744.1AY	HAND CONTROLS, LEFT HAND SWITCH	1	RX	2014/2105
7	X0875.1B7	BRACKET, CLUTCH REMOTE RESERVOIR	1	RX	2014/2105
7	X0875A.1B7	BRACKET, CLUTCH REMOTE RESERVOIR, use with Vortex clamp	1	RX	2014/2105
8	N0010.1B7	END CAP, HANDLEBAR	2	RX	2014/2105
9	N0206.1B7ZBG	HANDLEBAR TUBE, RIGHT, CLEAR ANODIZED	1	RX	2014/2105
9	N0206.1B6ZT	HANDLEBAR TUBE, RIGHT, BLACK	1	RX	2014/2105
11	Y0745.1AY	HAND CONTROLS, RIGHT HAND SWITCH	1	RX	2014/2105
12	H0881.1B7	BRACKET, FRONT BRAKE REMOTE RESERVOIR	1	RX	2014/2105
12	H0881A.1B7	BRACKET, FRONT BRAKE REMOTE RESERVOIR, use with Vortex clamp	1	RX	2014/2105
13	J0400.1AY	STEERING DAMPER ASS'Y	1	RX	2014/2105
Not shown	CF0062.1B6	O-RING, STEERING DAMPER	2	RX/SX	2014/2105
14	J4400.1B6	FERRULE, STEERING DAMPER MT	1	RX/SX	2014/2105
15	CH0035.1B6	SPACER, STEERING DAMPER MOUNT	1	RX/SX	2014/2105
16	A06030.2CZC	SCREW, M6-1.0 X 30 SHCS, CLASS 10.9, CLEAR	1	RX/SX	2014/2105
17	A06055.2CZC	SCREW, M6-1.0 X 55 SHCS, CLASS 10.9, CLEAR	1	RX/SX	2014/2105
18	N0051.1B6	HAND GRIP, RIGHT	1	RX/SX	2014/2105
19	D0600.10CCBL	NUT, M6 X 1.0, SPRINGLOCK, CLASS 8, BLACK	2	RX	2014/2105
20	H1531.1B6	BRAKE LINE, FRONT, ASSY	1	RX	2014/2105
21	CB0089.1B6	CRUSH WASHER, COPPER, M10 X 1.5 THICK	4	RX/SX	2014/2105
22	CA0904.1B6	BANJO BOLT, M10-1.25	2	RX/SX	2014/2105
23	X0203.1B7	CLUTCH HYDRAULIC HOSE ASSEMBLY	1	RX	2014/2105
24	X0204.1B7	CLUTCH MASTER CYLINDER W/ LEVER & REMOTE RESERVOIR	1	RX/SX	2014/2105
Not shown	X0220.1B7	PISTON KIT, CLUTCH MASTER CYLINDER	1	RX/SX	2014/2105
25	H0507.1B7	FRONT BRAKE MASTER CYLINDER W/ LEVER & REMOTE RESERVOIR	1	RX/SX	2014/2105
Not shown	H0220.1B7	PISTON KIT FRONT BRAKE MASTER CYLINDER	1	RX/SX	2014/2105
26	N0050.1B6	HAND GRIP, LEFT	1	RX/SX	2014/2105
27	CA0023.1B6	Screw, M6-1.0x14, T30 Head	2	RX/SX	2014/2105
28	H0508.1B7	BRAKE LEVER, FRONT	1	RX/SX	2014/2105
Not shown	CQ0019.1B7	PIVOT BOLT, FRONT BRAKE LEVER	1	RX/SX	2014/2105
29	X0202.1B7	CLUTCH LEVER	1	RX/SX	2014/2105

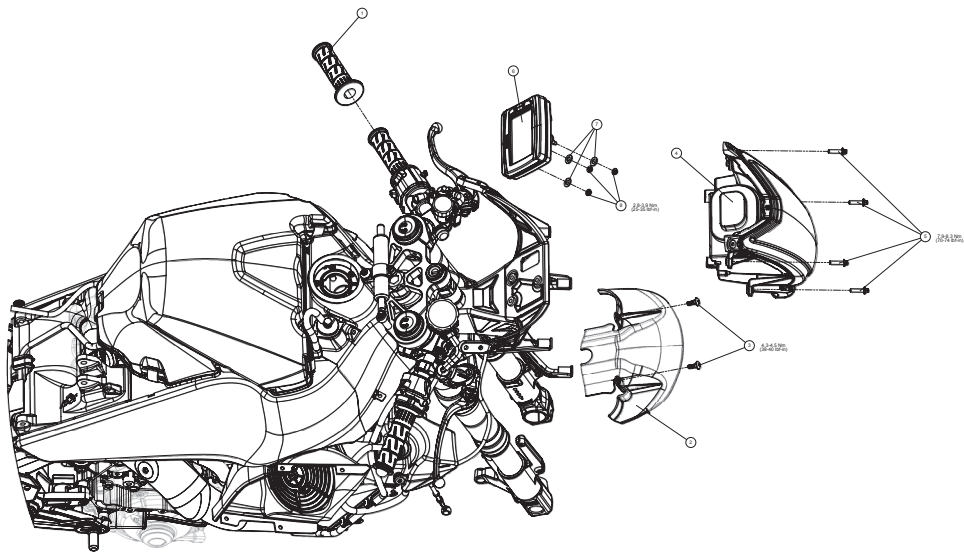




## SX HANDLEBARS, HAND CONTROLS, MIRRORS

ITEM NO.	PART NUMBER	DESCRIPTION	QTY	MODEL	YEAR
1	N0053.1B7	PLUG, DOME, HANDLEBAR	2	RX/SX	2014/2015
2	Y0744.1AY	HAND CONTROLS, LEFT HAND SWITCH	1	RX/SX	2014/2015
3	X0204.1B7	LEVER, CLUTCH MASTER CYLINDER	1	RX/SX	2014/2015
Not shown	X0220.1B7	PISTON KIT, CLUTCH MASTER CYLINDER	1	RX/SX	2014/2015
4	N0151.1AY	THROTTLE CASE HOUSING	1	RX/SX	2014/2015
5	Y0745.1AY	CONTROL, RIGHT HAND HANDLEBAR SWITCH	1	RX/SX	2014/2015
6	H0507.1B7	BRAKE ASSEMBLY, FRONT MASTER	1	RX/SX	2014/2015
Not shown	H0220.1B7	PISTON KIT, BRAKE MASTER CYLINDER	1	RX/SX	2014/2015
7	J0400.1AY	STEERING DAMPER	1	RX/SX	2014/2015
Not shown	CF0062.1B6	O-RING, STEERING DAMPER	2	RX/SX	2014/2015
8	J4400.1B6	FERRULE, STEERING DAMPER MOUNT	1	RX/SX	2014/2015
9	CH0035.1B6	SPACER, STEERING DAMPER MOUNT	1	RX/SX	2014/2015
10	A06030.2CZC	SCREW, M6-1X30 SHCS BRIGHT ZINC	1	RX/SX	2014/2015
11	A06055.2CZC	SCREW, M6-1X55 SHCS BRIGHT ZINC	1	RX/SX	2014/2015
12	N0051.1B6	GRIP, RIGHT	1	RX/SX	2014/2015
13	CA0023.1B6	SCREW, M6X1X14, T30 HEAD	2	RX/SX	2014/2015
14	CB0089.1B6	CRUSH WASHER, COPPER, M10 X 14 X 1.5	4	RX/SX	2014/2015
15	CA0904.1B6	BANJO BOLT, M10 X 1.25	2	RX/SX	2014/2015
16	X0203.1B9	CLUTCH HYDRAULIC HOSE ASSEMBLY	1	SX	2014/2015
17	N0002.1B9ZT	HANDLEBAR, SX	1	SX	2014/2015
18	N0348.1B9ZT	HANDLEBAR CLAMP, SX	1	SX	2014/2015
19	B0613.1BL	WASHER, M6 X 13, FLAT, BLACK	4	SX	2014/2015
20	C3602.1B9	CLAMP, MASTER CYLINDER W/ MIRROR MOUNT	2	SX	2014/2015
21	CA0155.1B7	SCREW, M6-1.0 x 22, SHCS, BLACK	4	SX	2014/2015
22	X0875.1B9	BRACKET, CLUTCH REMOTE RESERVOIR	1	SX	2014/2015
23	A06030.2CZC	SCREW, M6-1.0 X 30 SHCS, CLASS 10.9, CLEAR	4	SX	2014/2015
24	D0600.2CBL	NUT, M6 X 1 NYLOCK, BLACK	2	SX	2014/2015
25	N0161.1B9	MIRROR, LEFT	1	SX	2014/2015
26	H0881.1B9	BRACKET, FRONT BRAKE REMOTE RESERVOIR	1	SX	2014/2015
27	N0162.1B9	MIRROR, RIGHT	1	SX	2014/2015
28	H1531.1B9	BRAKE LINE, FRONT ASSEMBLY	1	SX	2014/2015
Not shown	CQ0019.1B7	PIVOT BOLT, FRONT BRAKE/CLUTCH LEVER	1	RX/SX	2014/2015
30	X0202.1B7	CLUTCH LEVER	1	RX/SX	2014/2015

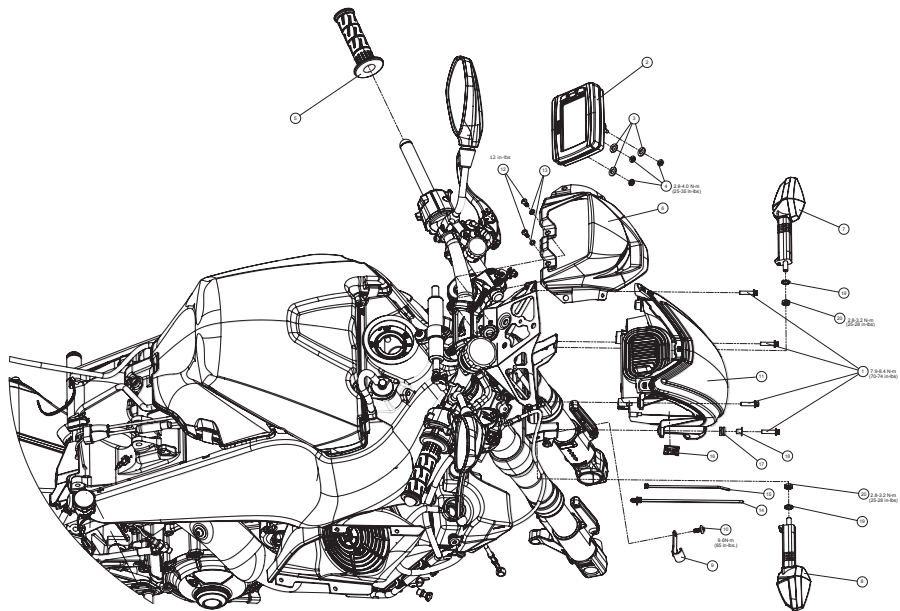
## RX HEADLIGHT, INSTRUMENT CLUSTER



### RX HEADLIGHT, INSTRUMENT CLUSTER

ITEM NO.	PART NUMBER	DESCRIPTION	QTY	MODEL	YEAR
1	N0050.1B6	GRIP, LEFT	1	RX/SX	2014/2015
2	M0050.1B7	TRIPLE CLAMP BLOXK OFF	1	RX	2014/2015
3	CA0030.1B6	SCREW, SHOULDER, M6	1	RX	2014/2015
4	Y0721.1B7	HEADLIGHT ASSEMBLY, WORLD, LED	1	RX/SX	2014/2015
5	A06025.16CZ	SCREW, M6-1.0X25 HEX/TORX	4	RX/SX	2014/2015
6	Y1500.1B7	INSTRUMENT CLUSTER, MPH/KMH	1	RX/SX	2014/2015
7	B0816.2BL	WASHER, M8 X 16, HARDENED, BLACK	3	RX/SX	2014/2015
8	D0500.12CCBL	NUT, M5X0.8 FLANGE, CLASS 8	3	RX/SX	2014/2015

## SX HEADLIGHT, INSTRUMENT CLUSTER, TURN SIGNALS

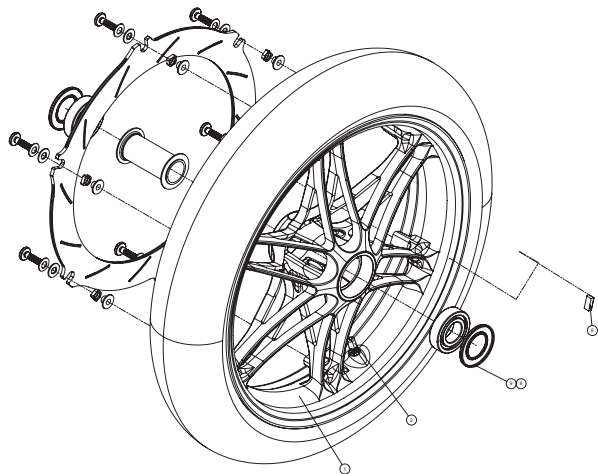
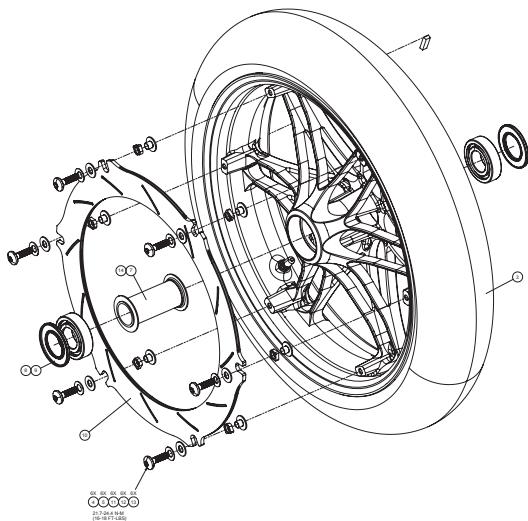


### SX HEADLIGHT, INSTRUMENT CLUSTER, TURN SIGNALS

ITEM NO.	PART NUMBER	DESCRIPTION	QTY	MODEL	YEAR
1	A06025.16CZ	SCREW, M6-1.0X25 HEX/TORX	4	RX/SX	2014/2015
2	Y1500.1B7	INSTRUMENT CLUSTER, MPH/KMH	1	RX/SX	2014/2015
3	B0816.2BL	WASHER, M8 X 16, HARDENED, BLACK	3	RX/SX	2014/2015
4	D0500.12CCBL	NUT, M5X0.8 FLANGE, CLASS 8	3	RX/SX	2014/2015
5	N0050.1B6	GRIP, LEFT	1	RX/SX	2014/2015
6	M0601.1B9	FLYSCREEN, BLACK TEXTURED	1	SX	2014/2015
7	Y0503.1B9	TURN SIGNAL, LEFT FRONT	1	SX	2014/2015
8	Y0504.1B9	TURN SIGNAL, RIGHT FRONT	1	SX	2014/2015
9	C0368.1B9	GUIDE, HOSE	1	SX	2014/2015
10	CA0023.1B6	SCREW, M6X1X14, T30 HEAD	1	SX	2014/2015
11	Y0721.1B7	HEADLIGHT ASSEMBLY, WORLD, LED	1	SX	2014/2015
12	A05016.3CSS	SCREW, M5-0.8 X 16 BUTTONHEAD ALLEN, SS	2	SX	2014/2015
13	B0510.1BL	WASHER, M5 X10, FLAT, BLACK	2	SX	2014/2015
14	CL0004.1B6	CLIP HARNESS MOUNTING	3	SX	2014/2015
15	CL0005.1B7	TIE STRAP, BLACK, 6"	2	SX	2014/2015
15	CL0007.1B9	TIE STRAP, BLACK, 8", HARNESS TO CLUTCH AND BRAKE LINES	8	SX	2014/2015
16	C1035.1B9	SELF ADHESIVE CABLE TIE, HEADLIGHT MOUNT	2	SX	2014/2015
17	CP0005.1B7	GROMMET	4	SX	2014/2015
18	CH0018.1B7	GROMMET INSERT	4	SX	2014/2015
19	B0814.4BL	WASHER, M8 X 14, EXTERNAL STAR, BLACK	2	SX	2014/2015
20	D0800.4FBL	NUT, JAM, M8, BLACK	2	SX	2014/2015

## FRONT WHEEL, BRAKE

Apply Jet-Lube MP 50 Moly Paste to bearings.



### FRONT WHEEL

ITEM	PART NUMBER	DESCRIPTION	QTY.	MODEL	YEAR
1	G1100.1B7YT	FRONT WHEEL, 17 X 3.5, ALUMINUM, DESIGNER BLACK (includes 2, 7, 8 and 9)	1	RX/SX	2014/2015
1	G1100.2B7YDZ	FRONT WHEEL, 17 X 3.5, ALUMINUM, RACE RED (includes 2, 7, 8 and 9)	1	RX/SX	2015
2	G0313.1B6	STEM, VALVE, W/CAP	1	RX/SX	2014/2015
3	G0150.1B7	TIRE, FRONT, ROSSO CORSA	1	RX/SX	2014/2015
4	EB0004.1B6	BUSHING, TOP HAT, FRONT ROTOR,	6	RX/SX	2014/2015
5	H0506.1B6	DRIVE BUSHING, FRONT ROTOR	6	RX/SX	2014/2015
7	G1325.1B6	SPACER, FRONT, WHEEL, with label	1	RX/SX	2014/2015
8	E0005.1B6	Bearing, Wheel	2	RX/SX	2014/2015
9	EA0002.1B6	Dust Seal, Wheel Bearing	2	RX/SX	2014/2015
10	H0201.1B6	ROTOR, FRONT BRAKE, 5MM,	1	RX/SX	2014/2015
11	CB0051.1B6	WASHER, FRONT ROTOR, INSIDE	6	RX/SX	2014/2015
12	CK0037.1B6	SPRING, FRONT ROTOR, BELLEVILLE	6	RX/SX	2014/2015
13	CA0014.1B6	BOLT,FRONT ROTOR 5/16 X 18 X 1	6	RX/SX	2014/2015
Not shown	H1506.1B6	BRAKE HARDWARE KIT includes 4, 5, 11, 12, 13)	1	RX/SX	2014/2015





### TAILSECTION

ITEM NO.	PART NUMBER	DESCRIPTION	QTY.	MODEL	YEAR
1	L1090.1B7YCX	STRUCTURAL TAILSECTION, PHANTOM METALLIC, 49 STATE	1	RX/SX	2014/2015
1	L1090A.1B7YCX	STRUCTURAL TAILSECTION, PHANTOM METALLIC, 50 STATE	1	RX/SX	2014/2015
2	Y0395.1B6	Starter Solenoid Assembly	1	RX/SX	2014/2015
3	Y0302.1B7	VOLTAGE REGULATOR	1	RX/SX	2014/2015
4	M0144.1B7	BASE, TRUNK PAN	1	RX/SX	2014/2015
5	L0092.1B7	Cross Support, Structural Tailsection	1	RX/SX	2014/2015
6	M0145.1B7	LEFT SIDE PANEL, TRUNK PAN	1	RX/SX	2014/2015
7	M0146.1B7	RIGHT SIDE PANEL, TRUNK PAN	1	RX/SX	2014/2015
8	L0093.1B7	Support, Seat Pan	1	RX/SX	2014/2015
9	P0091.1B6	MAP SENSOR	1	RX/SX	2014/2015
10	CA0060.1B6	HEX/TORX-FLANGE SCREW M6X16-SW8/T30 CL 8.8	3	RX/SX	2014/2015
11	N0406.1B7YCX	FOOTPEG SUPPORT, PASSENGER RIGHT, PHANTOM METALLIC	1	RX/SX	2014/2015
12	N0405.1B7YCX	FOOTPEG SUPPORT, PASSENGER LEFT, PHANTOM METALLIC	1	RX/SX	2014/2015
13	CB0002.1B6	WASHER, 5/16 ID X 1/2 OD	4	RX/SX	2014/2015
14	A08035.2CZK	SCREW, M8-1.25 X 35 SHCS, CLASS 10.9, ZINKLAD BLACK	4	RX/SX	2014/2015
15	N0550.1B7	FOOTPEG CLEVIS, PASSENGER LEFT	1	RX/SX	2014/2015
16	CG0022.1B7	DETENT SPRING, PASSENGER FOOTPEG	2	RX/SX	2014/2015
17	CQ0018.1B7	DETENT BALL, PASSENGER FOOTPEG	2	RX/SX	2014/2015
18	N0427.1B7	DETENT PLATE, PASSENGER FOOTPEG	2	RX/SX	2014/2015
19	C0235.1B6	PIN, FOOTPEG	2	RX/SX	2014/2015
20	N0425.1B6	Clip, Footpeg	2	RX/SX	2014/2015
21	N0408.1B7ZDK	FOOTPEG BODY, KNURLED, ANODIZED TITANIUM	2	RX/SX	2014/2015
22	A06020.2CZK	SCREW, M6-1.0 X 20 SHCS, CLASS 10.9, ZINKLAD BLACK	4	RX/SX	2014/2015
23	N0411.1B7	FOOTPEG END PLUG	2	RX/SX	2014/2015
24	N0551.1B7	FOOTPEG CLEVIS, PASSENGER RIGHT	1	RX/SX	2014/2015
25	L0040.1AYMBE	LICENSE PLATE BRACKET, BODY BLACK	1	RX/SX	2014/2015
26	Y0527.1AY	TURN SIGNAL, RIGHT REAR ONLY	1	RX/SX	2014/2015
27	Y0526.1AY	TURN SIGNAL, LEFT REAR ONLY	1	RX/SX	2014/2015
29	D0800.4FBL	NUT, JAM, M8, BLACK CHROMATE	2	RX/SX	2014/2015
28	B0814.4BL	TURN SIGNAL WASHER	2	RX/SX	2014/2015
30	Y0401.1AY	TAILLIGHT, LED	1	RX/SX	2014/2015
31	M0108.1B6	REFLECTOR, REAR, RED	1	RX/SX	2014/2015
32	M0107.1B6	REFLECTOR, RED	2	RX/SX	2014/2015
33	CA0030.1B6	Screw, Shoulder, M6	5	RX/SX	2014/2015
34	B0613.1BL	WASHER, M6 X 13, FLAT, BLACK CHROMATE	4	RX/SX	2014/2015
35	D0600.10CCBL	NUT, M6 X 1.0, SPRINGLOCK, CLASS 8, BLACK CHROMATE	2	RX/SX	2014/2015
36	N0522.1B7ZDK	PASSENGER FOOTPEG ASSY, RIGHT, INCLUDES 21,22,23,24	1	RX/SX	2014/2015
37	N0523.1B7ZDK	PASSENGER FOOTPEG ASSY, LEFT, INCLUDES 21,22,23,24	1	RX/SX	2014/2015
38	A06020.1CZK	SCREW, M6-1.0 X 20 HEX, BLACK	1	RX/SX	2014/2015

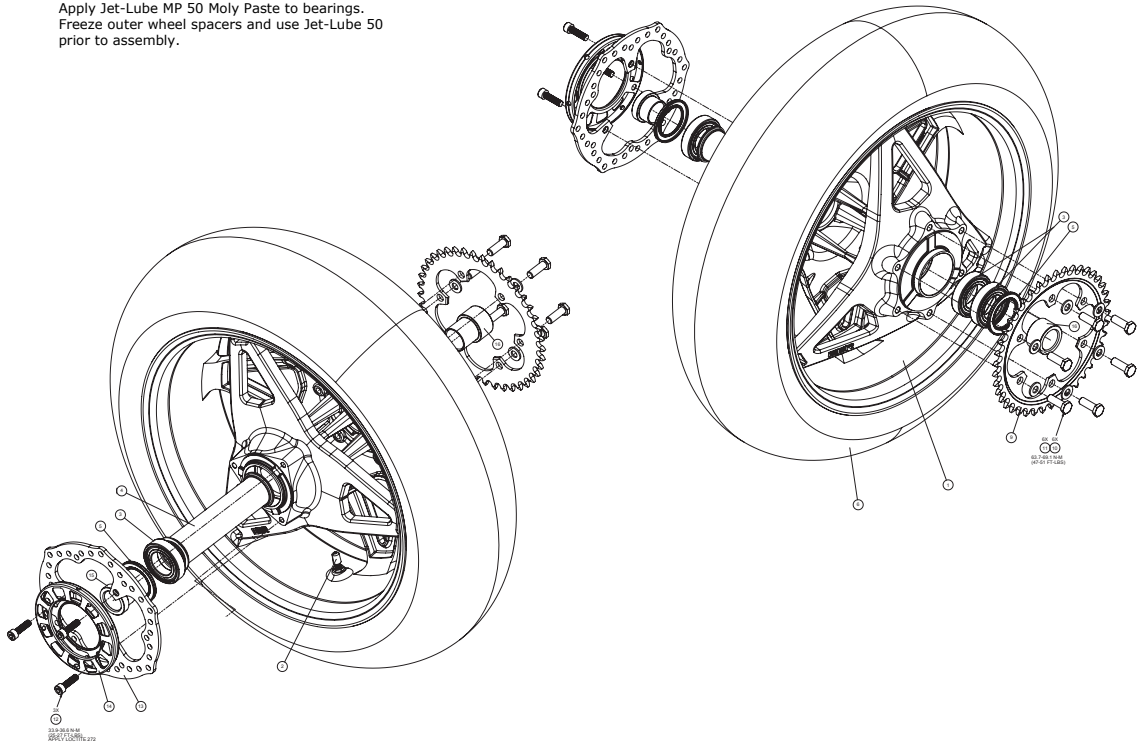


### REAR SHOCK, RADIATOR DUCTS, TAILSECTION MOUNTING

ITEM NO.	PART NUMBER	DESCRIPTION	QTY.	MODEL	YEAR
1	A08035.2CZK	SCREW, M8-1.25 X 35 SHCS, CLASS 10.9, BLACK	2	RX/SX	2014/2015
2	K0410.1B7	SHOCK, REAR	1	RX	2014/2015
3	CA0121.1AY	BOLT, M10-1.50 X 83 TRUSS HEAD TORX T45, CLASS 10.9, BLACK	1	RX/SX	2014/2015
4	CB0058.1AY	WASHER, STRUCTURAL TAILSECTION M10 BOLT	5	RX/SX	2014/2015
5	CA0120.1AY	BOLT, M8-1.25 X 35 TRUSS HEAD TORX T45, CLASS 10.9, W/SCOTCHGRIP, BLACK	3	RX/SX	2014/2015
6	K0402.1B6	REAR SHOCK SLEEVE	1	RX/SX	2014/2015
7	B0816.2BL	WASHER, M8 X 16, HARDENED, BLACK	2	RX/SX	2014/2015
8	K0437.1B7	Bracket, Shock Remote Reservoir	1	RX/SX	2014/2015
9	EB0024.1B7	BUSHING, TOP HAT (SHOULDER WASHER, BODYWORK)	2	RX/SX	2014/2015
10	CA0023.1B6	SCREW, M6-1.0 X 14, T30 HEAD	5	RX/SX	2014/2015
11	G0120.1AY	AXLE, FRONT	1	RX/SX	2014/2015
12	M0039.1B7	RADIATOR INLET DUCT, RIGHT	1	RX	2014/2015
13	M0038.1B7	RADIATOR INLET DUCT, LEFT	1	RX	2014/2015
14	G0112.1B6A	SPACER, FRONT AXLE	1	RX/SX	2014/2015
15	CA0030.1B6	SCREW, SHOULDER, M6 BODYWORK/T30	6	RX/SX	2014/2015
16	M0580.1B7	SPROCKET COVER	1	RX/SX	2014/2015
17	CH0032.1AY	SLEEVE, STRUCTURAL TAILSECTION M8 BOLT	3	RX/SX	2014/2015
18	CH0034.1AY	SLEEVE, STRUCTURAL TAILSECTION M10 BOLT	1	RX/SX	2014/2015
19	D1000.12CBL	NUT, HEX FLANGE, M10, BLACK	1	RX/SX	2014/2015
20	CA0020.1B6	BOLT, 5/16-18 x 2 3/8, BUTTONHEAD TORX	1	RX/SX	2014/2015
21	DA0500.10CZ	5/16X18 FLEXLOCK CLR ZINC	1	RX/SX	2014/2015

## REAR WHEEL, SPROCKET

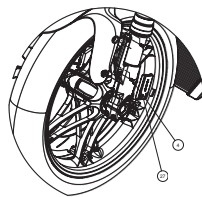
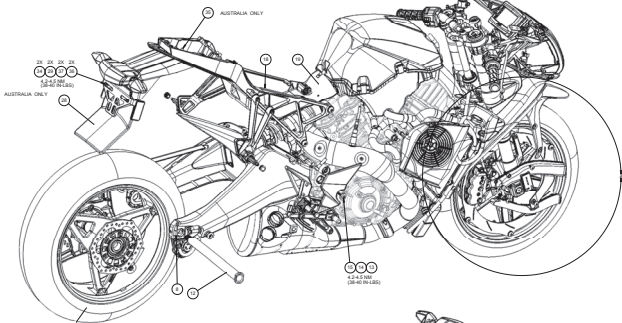
Apply Jet-Lube MP 50 Moly Paste to bearings.  
Freeze outer wheel spacers and use Jet-Lube 50  
prior to assembly.



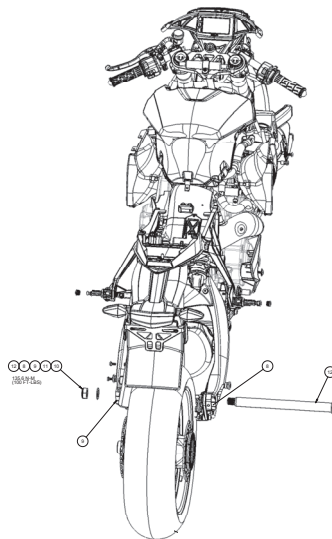
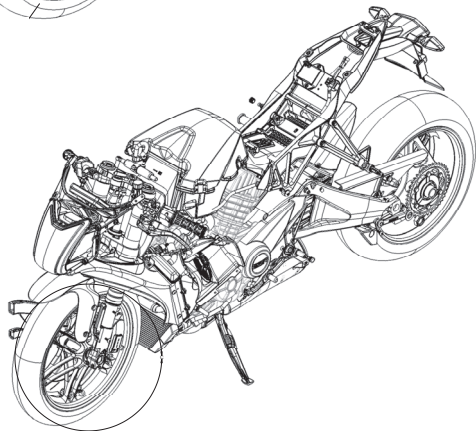
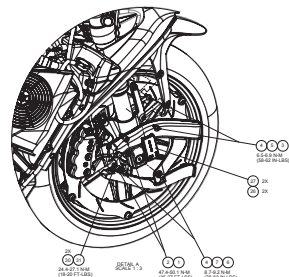
## REAR WHEEL, SPROCKET

ITEM NO.	PART #	DESCRIPTION	QTY.	MODEL	YEAR
1	G1300.1B7YT	REAR WHEEL, 17 X 6, ALUMINUM, DESIGNER BLACK (includes 2, 3, 4 and 5)	1	RX/SX	2014/2015
	G1300.2B7DZ	REAR WHEEL, 17 X 6, ALUMINUM, RACE RED (includes 2, 3, 4 and 5)	1	RX/SX	2015
2	G0313.1B6	STEM, VALVE, W/CAP	1	RX/SX	2014/2015
3	E0005.08AZ	BEARING, REAR WHEEL, 62 X 35 X 14 MM	3	RX/SX	2014/2015
4	G1323.1B6	SPACER REAR WHEEL BEARING	1	RX/SX	2014/2015
5	EA0003.1B6	DUST SEAL, WHEEL BEARING, 62X42X4	2	RX/SX	2014/2015
6	G0350.1B7	TIRE, REAR, ROSSO CORSA	1	RX/SX	2014/2015
9	G0400.1B7	REAR DRIVE SPROCKET, 41T, 520	1	RX/SX	2014/2015
10	A10030.1CZK	SCREW, M10-1.5 X 30 HEX HEAD, CLASS 10.9, BLACK	6	RX/SX	2014/2015
11	B1020.2BL	WASHER, M10 X 20, HARDENED, BLACK	6	RX/SX	2014/2015
12	A08030.2CZK	SCREW, M8-1.25 X 30 SHCS, CLASS 10.9 CLEAR	3	RX/SX	2014/2015
13	H0150.1AY	ROTOR, REAR BRAKE	1	RX/SX	2014/2015
14	G0080.1B7	WHEEL SPEED TONE RING, REAR	1	RX/SX	2014/2015
15	G0329.1B7	SPACER, REAR WHEEL BEARING, OUTER RIGHT	1	RX/SX	2014/2015
16	G0328.1B7	SPACER, REAR WHEEL BEARING, OUTER LEFT	1	RX/SX	2014/2015

# FRONT BRAKE, TRUNK, REAR AXLE



12-120 (120mm)

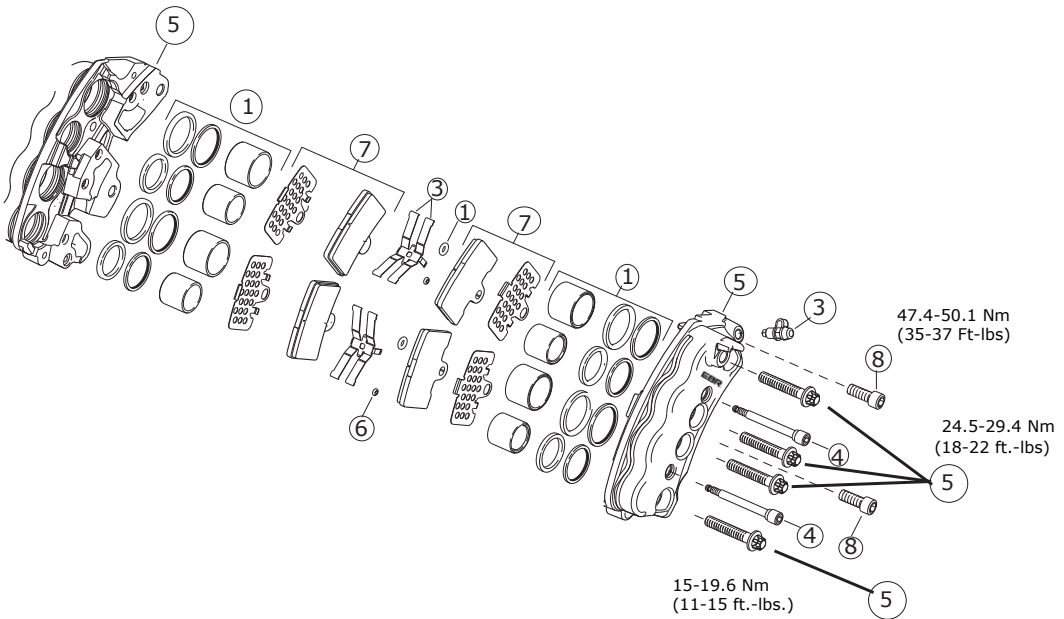


### FRONT BRAKE, TRUNK, REAR AXLE

ITEM NO.	PART NUMBER	DESCRIPTION	QTY	MODEL	YEAR
1	H0110.1B7ZT	FRONT CALIPER ASSEMBLY	1	RX/SX	2014/2015
2	AA0608.2CXZC	SCREW, 3/8-16 X 1.0 SHCS, GRADE 8, 2510N LOCKPATCH, CLEAR	2	RX/SX	2014/2015
3	M0662.1B7MW	FENDER, FRONT, MIDNIGHT BLACK	1	RX/SX	2014/2015
4	CA0030.1B6	Screw, Shoulder, M6	11	RX/SX	2014/2015
5	BA0509.6	WASHER, 5/16 X 9/16 NYLON	4	RX/SX	2014/2015
6	H0446.1B7	BRAKE COOLING SCOOP, UPPER	1	RX	2014/2015
7	H0447.1B7	BRAKE COOLING SCOOP, LOWER	1	RX	2014/2015
Not shown	H0882.1B7	BRACKET, COOLING SCOOP LOCK	1	RX	2014/2015
8	K0097.1B7	REAR AXLE ADJUSTER, RIGHT	1	RX/SX	2014/2015
9	K0098.1B7	REAR AXLE ADJUSTER, LEFT	1	RX/SX	2014/2015
10	G0327.1AY	NUT, REAR AXLE	1	RX/SX	2014/2015
11	CB0059.1AY	WASHER, HARDENED, REAR AXLE	1	RX/SX	2014/2015
12	G0321.1AY	AXLE, REAR	1	RX/SX	2014/2015
13	M0139.1B7	HEAT DEFLECTOR, RIDER RIGHT	1	RX/SX	2014/2015
14	CB0012.02A8	WASHER, SPROCKET COVER	1	RX/SX	2014/2015
15	AA0412.11CXDZK	SCREW, 1/4-20 X 1.5 TRUSS TORX, GRADE 2, 2510N LOCKPATCH, BLACK	1	RX/SX	2014/2015
16	M0570.1B7	UPPER CHAIN GUARD	1	RX/SX	2014/2015
17	M0560.1B7	LOWER CHAIN GUARD	1	RX/SX	2014/2015
18	C0593.1B7	Isolating Pad, Adhesive, Seat to Tailsection	1	RX/SX	2014/2015
19	M0147.1B7	FRONT PANEL, TRUNK PAN	1	RX/SX	2014/2015
20	CD0069.1B7	NUT, SPEED CLIP M6	1	RX/SX	2014/2015
21	Y0381.1B6	SENSOR, BANK ANGLE	1	RX/SX	2014/2015
22	A04025.1CCZ	SCREW, M4-0.7 X 25 HEX HEAD, CLASS 8.8, CLEAR ZINC	2	RX/SX	2014/2015
23	M0550.1AY	REAR INNER FENDER	1	RX/SX	2014/2015
24	H0448.1B6	PLUG, BRAKE SCOOP MOUNT	1	RX	2014/2015
25	M0819.1B7	GRAPHIC, BRAKE CALIPER	1	RX/SX	2014/2015
27	M0106.1B7	FRONT REFLECTOR	2	RX/SX	2014/2015
28	M0549.1B7	REAR FENDER, OUTBACK Australia only	1	RX/SX	2014/2015
29	M0340.1B7	SPACER, OUTBACK FENDER Australia only	2	RX/SX	2014/2015
30	CB0089.1B6	CRUSH WASHER, COPPER, M10 X 1.5 THICK	2	RX/SX	2014/2015
31	CA0904.1B6	BANJO BOLT, M10-1.25	1	RX/SX	2014/2015
32	B0409.1BL	WASHER, M4 X 9, FLAT, BLACK CHROMATE	4	RX/SX	2014/2015
33	D0400.12CCBL	NUT, M4	2	RX/SX	2014/2015
34	CD0024.1AW	NUT, M6 X 1.0 SELF LOCKING FLANGE HEAD U-NUT, CLEAR ZINC Australia only	2	RX/SX	2014/2015
35	A06030.16CZK	BOLT, 6X10 Australia only	1	RX/SX	2014/2015
36	CA0066.1B6A	HEX/TORX-FLANGE SCREW M6X45-SW8/T30 CL 8.8 Australia only	2	RX/SX	2014/2015
37	B0613.1BL	WASHER, M6 X 13, FLAT, BLACK Australia only	2	RX/SX	2014/2015
38	Y0303.1B6	ZIP TIE	1	RX/SX	2014/2015
35	A06030.16CZK	BOLT, 6X10 Australia only	1	RX/SX	2014/2015
36	CA0066.1B6A	HEX/TORX-FLANGE SCREW M6X45-SW8/T30 CL 8.8 Australia only	2	RX/SX	2014/2015



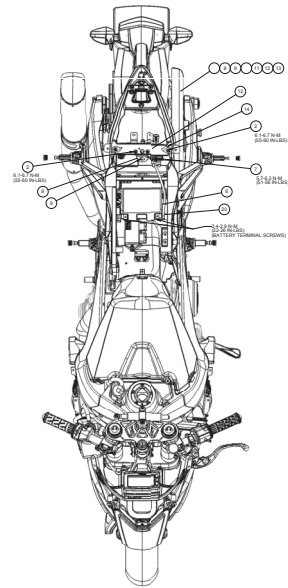
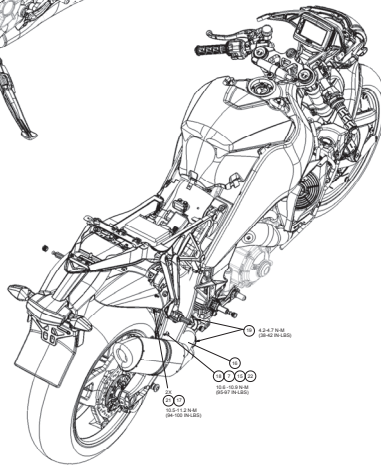
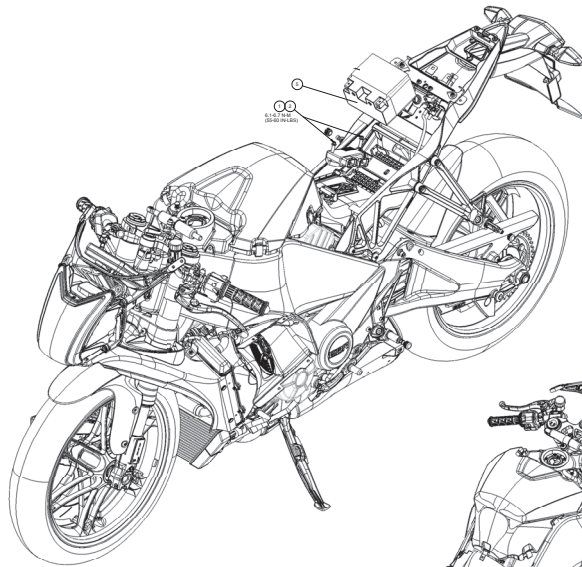
## FRONT BRAKE CALIPER



**FRONT BRAKE CALIPER**

<b>ITEM NO.</b>	<b>PART NUMBER</b>	<b>DESCRIPTION</b>	<b>QTY</b>	<b>MODEL</b>	<b>YEAR</b>
1	H0020.1B6	PISTON SET, (Includes H032.1B6)	1	RX, SX	2014/2015
2	H0021.1B6	SPRING	4	RX, SX	2014/2015
3	H0022.1B6	BLEEDER SCREW	1	RX, SX	2014/2015
4	H0026.1B6	PIN	2	RX, SX	2014/2015
5	H0110.1B7ZT	COMPLETE BRAKE CALIPER (includes all shown)	1	RX, SX	2014/2015
6	H0032.1B6	STOPPER	2	RX, SX	2014/2015
7	H0300.1B6	BRAKE PAD SET	1	RX, SX	2014/2015
8	AA0608.2CXZC	CALIPER BOLT	1	RX/SX	2014/2015

# ECM, BATTERY, SECONDARY MUFFLER



### ECM, BATTERY, SECONDAY MUFFLER

ITEM NO.	PART NUMBER	DESCRIPTION	QTY.	MODEL	YEAR
1	Y1159.1B7	ELECTRONIC CONTROL MODULE, USA	1	RX/SX	2014/2015
1	Y1160.1B7	ELECTRONIC CONTROL MODULE, EUROPE/AUSTRALIA	1	RX/SX	2014/2015
2	A06025.16CZ	SCREW, M6-1.0 X 25, HEX/TORX FLANGE HD, CLASS 10.9, CLEAR ZINC	6	RX/SX	2014/2015
3	CD0022.1B6	NUT, SPEED CLIP, M6	1	RX/SX	2014/2015
5	Y0100.1B7	LITHIUM ION BATTERY	1	RX/SX	2014/2015
6	Y0320.1B7	POSITIVE BATTERY CABLE	1	RX/SX	2014/2015
7	D0600.10CCBL	NUT, M6 X 1.0, SPRINGLOCK, CLASS 8, BLACK	3	RX/SX	2014/2015
8	N0029.1B7	PLATE, SEAT LOCK/LATCH	1	RX/SX	2014/2015
9	N0030.1B7	RETAINER, SEAT LOCK	1	RX/SX	2014/2015
11	N0031.1B7	CABLE, SEAT LOCK	1	RX/SX	2014/2015
12	N0033.1B7	BRACKET, SEAT LATCH	1	RX/SX	2014/2015
13	N0032.1B7	SEAT LATCH	1	RX/SX	2014/2015
14	N0137.1B7	WASHER/RETAINER, PASSENGER SEAT STRAP	2	RX/SX	2014/2015
15	S0114.1B7	SUPPORT STRAP, SECONDARY MUFFLER	1	RX/SX	2014/2015
16	S1112.1B7	MUFFLER ASSEMBLY, SECONDARY	1	RX/SX	2014/2015
17	S0875.1B7	BRACKET, SECONDARY MUFFLER SUPPORT	1	RX/SX	2014/2015
18	CA0023.1B6	Screw, M6-1.0x14, T30 Head	1	RX/SX	2014/2015
19	S0124.1B7	CLAMP, PRIMARY TO SECONDARY MUFFLER, 51-57 MM	2	RX/SX	2014/2015
20	Y1015.1B7	BATTERY LUG GUARD	1	RX/SX	2014/2015
21	A06012.3CZK	SCREW, M6-1.0 X 12 BUTTONHEAD ALLEN, CLASS 10.9, BLACK	2	RX/SX	2014/2015
22	S0199.1B7	RUBBER GASKET, SECONDARY MUFFLER SUPPORT STRAP	1	RX/SX	2014/2015



### RX BODYWORK, SEATS, MIRRORS, TURN SIGNALS

ITEM NO.	PART NO.	DESCRIPTION	QTY	MODEL	YEAR
1	CA0757.1B7	RIVET, REUSABLE, PLASTIC, 06.35 HOLE	4	RX	2014/2015
2	SEE TABLE	TAILSECTION	1	RX/SX	2014/2015
3	SEE TABLE	FRONT FAIRING, RIGHT	1	RX	2014/2015
4	SEE TABLE	FRONT FAIRING, LEFT	1	RX	2014/2015
5	M0600.1B7MBG	WINDSCREEN, CLEAR	1	RX	2014/2015
	M1600.1B7MBG	WINDSCREEN, CLEAR W/ TRIM (Europe and Australia)	1	RX	2014/2015
6	SEE TABLE	SIDE FAIRING, LEFT	1	RX	2014/2015
7	SEE TABLE	SIDE FAIRING, RIGHT	1	RX	2014/2015
8	M0870.1B7	BELLY PAN, LEFT	1	RX	2014/2015
9	M0871.1B7	BELLY PAN, RIGHT	1	RX	2014/2015
10	N0161.1B7	MIRROR, LEFT	1	RX	2014/2015
11	N0162.1B7	MIRROR, RIGHT	1	RX	2014/2015
12	SEE TABLE	INTAKE COVER	1	RX/SX	2014/2015
13	CD0029.1B6	NUT, SPEED CLIP, M6	4	RX/SX	2014/2015
14	CD0022.1B6	NUT, SPEED CLIP M6	27	RX	2014/2015
15	CA0023.1B6	Screw, M6-1.0x14, T30 Head	2	RX	2014/2015
16	CA0030.1B6	Screw, Shoulder, M6	33	RX	2014/2015
17	CD0066.1B7	WELLNUT, M5-0.8	6	RX	2014/2015
18	CB0009.1B7	WASHER, NYLON, .200 ID X .375 OD X .015	10	RX	2014/2015
19	A05016.3CSS	SCREW, M5-0.8 X 16 BUTTONHEAD ALLEN, STAINLESS STEEL	10	RX	2014/2015
20	CB0016.1B6	WASHER, ISOLATING	30	RX	2014/2015
21	B0613.1BL	WASHER, M6 X 13, FLAT, BLACK	4	RX	2014/2015
22	D0600.10CCBL	NUT, M6 X 1.0, SPRINGLOCK, CLASS 8, BLACK	4	RX	2014/2015
23	B0814.4BL	WASHER, M8 X 14, EXTERNAL STAR, BLACK	2	RX	2014/2015
24	D0800.4FBL	NUT, JAM, M8, BLACK CHROMATE	2	RX	2014/2015
25	Y0503.1B7	TURN SIGNAL, LEFT FRONT	1	RX	2014/2015
26	Y0504.1B7	TURN SIGNAL, RIGHT FRONT	1	RX	2014/2015
27	N0039.1B7	SEAT, PASSENGER	1	RX/SX	2014/2015
28	N0025.1B7	SEAT, RIDER	1	RX/SX	2014/2015
29	A06030.16CZK	SCREW, M6-1.0 X 30 HEX/TORX FLANGE HEAD, T30, CLASS 10.9, BLACK	1	RX/SX	2014/2015
30	BA0409.6BL	WASHER, 1/4 X 9/16 BLACK NYLON	2	RX	2014/2015
31	D0500.2CZ	NUT, M5 X 0.8 NYLOCK	2	RX	2014/2015
32	B0510.1BL	WASHER, FLAT, 3/16 X 1/2, BLACK	2	RX	2014/2015
33	A05012.10CCVB	SCREW, M5-0.8 X 12 BUTTONHEAD TORX, T25, CLASS 8.8, BLACK	2	RX	2014/2015
Not shown	C2024.1B7	TOOL KIT	1	RX/SX	2014/2015

### RX BODYWORK/DECAL TABLE

ITEM NO.	PART NUMBER	DESCRIPTION (all parts include decals if applicable)	QTY	MODEL	YEAR
1	M1664.1B7AMDY	KIT, TAILSECTION ASSEMBLY, STRIKE YELLOW, W/SMOKE GRAY GRAPHIC	1	RX	2014
1	M1664.1B7AMDZ	KIT, TAILSECTION ASSEMBLY, RACE RED, W/SMOKE GRAY GRAPHIC	1	RX	2014
1	M1664.1B7AMEA	KIT, TAILSECTION ASSEMBLY, GALACTIC BLACK, W/SMOKE GRAY GRAPHIC	1	RX	2014
1	M1664.2B7YEA	KIT, TAILSECTION ASSEMBLY, GALACTIC BLACK, W/RWB GRAPHIC	1	RX	2015
1	M1664.2B7MEE	KIT, TAILSECTION ASSEMBLY, SIDEWINDER SILVER W/RWB GRAPHIC	1	RX/SX	2015
3	M0621.1B7MDY	FRONT FAIRING, RIGHT, STRIKE YELLOW	1	RX	2014/2015
3	M0621.1B7MDZ	FRONT FAIRING, RIGHT, RACE RED	1	RX	2014/2015
3	M0621.1B7MEA	FRONT FAIRING, RIGHT, GALACTIC BLACK,	1	RX	2014/2015
3	M0621.1B7MEE	FRONT FAIRING, RIGHT, SIDEWINDER SILVER	1	RX	2015
4	M0622.1B7MDY	FRONT FAIRING, LEFT, STRIKE YELLOW	1	RX	2014/2015
4	M0622.1B7MDZ	FRONT FAIRING, LEFT, RACE RED	1	RX	2014/2015
4	M0622.1B7MEA	FRONT FAIRING, LEFT, GALACTIC BLACK,	1	RX	2014/2015
4	M0622.1B7MEE	FRONT FAIRING, LEFT, SIDEWINDER SILVER	1	RX	2015
6	M1644.1B7MDY	KIT, SIDE FAIRING, LEFT, STRIKE YELLOW, W/SMOKE GRAY GRAPHIC	1	RX	2014/2015
6	M1644.1B7MDZ	KIT, SIDE FAIRING, LEFT, RACE RED, W/SMOKE GRAY GRAPHIC	1	RX	2014/2015
6	M1644.1B7MEA	KIT, SIDE FAIRING, LEFT, GALACTIC BLACK, W/SMOKE GRAY GRAPHIC	1	RX	2014/2015
6	M1644.2B7MEG	KIT, SIDE FAIRING, LEFT, SIDEWINDER SILVER W/RACE RED GRAPHIC	1	RX	2015
7	M1645.1B7MDY	KIT, SIDE FAIRING, RIGHT, STRIKE YELLOW, W/SMOKE GRAY GRAPHIC	1	RX	2014/2015
7	M1645.1B7MDZ	KIT, SIDE FAIRING, RIGHT, RACE RED, W/SMOKE GRAY GRAPHIC	1	RX	2014/2015
7	M1645.1B7MEA	KIT, SIDE FAIRING, RIGHT, GALACTIC BLACK, W/SMOKE GRAY GRAPHIC	1	RX	2014/2015
7	M1645.2B7MEG	KIT, SIDE FAIRING, RIGHT, SIDEWINDER SILVER W/RACE RED GRAPHIC	1	RX	2015
12	M1222.1B7MDY	KIT, AIRBOX COVER, STRIKE YELLOW, W/SMOKE GRAY GRAPHIC	1	RX/SX	2014/2015
12	M1222.1B7MDZ	KIT, AIRBOX COVER, RACE RED, W/SMOKE GRAY GRAPHIC	1	RX/SX	2014/2015
12	M1222.1B7MEA	KIT, AIRBOX COVER, GALACTIC BLACK, W/SMOKE GRAY GRAPHIC	1	RX/SX	2014/2015
12	M1222.2B7MEG	KIT, AIRBOX COVER, SIDEWINDER SILVER, W/RACE RED GRAPHIC	1	RX/SX	2015
Not Shown	M0736.1B7	DECAL, TAIL, LEFT, GRAY	1	RX	2014
Not Shown	M0737.1B7	DECAL, TAIL, RIGHT, GRAY	1	RX	2014
Not Shown	M0736.1B9	DECAL, TAIL, LEFT, RWB	1	RX/SX	2014/2015
Not Shown	M0737.1B9	DECAL, TAIL, RIGHT, RWB	1	RX/SX	2014/2015
Not Shown	M0762.1B7	DECAL, SIDE FAIRING, LEFT, GRAY	1	RX	2014/2015
Not Shown	M0762A.1B7	DECAL, SIDE FAIRING, LEFT, RED	1	RX	2015
Not Shown	M0763.1B7	DECAL, SIDE, SIDE FAIRING, RIGHT, GRAY	1	RX	2014/2015
Not Shown	M0763A.1B7	DECAL, SIDE, SIDE FAIRING, RIGHT, RED	1	RX	2015
Not Shown	M0767.1B7	DECAL, AIRBOX COVER, RIGHT, GRAY	1	RX/SX	2014/2015
Not Shown	M0768.1B7	DECAL, AIRBOX COVER, LEFT, GRAY	1	RX/SX	2014/2015
Not Shown	M0767A.2B7	DECAL, AIRBOX COVER, RIGHT, RED	1	RX/SX	2015
Not Shown	M0768A.2B7	DECAL, AIRBOX COVER, LEFT, RED	1	RX/SX	2015

**THIS PAGE LEFT BLANK**





**SX BODYWORK/DECAL TABLE**

ITEM NO.	PART NUMBER	DESCRIPTION	QTY	MODEL	YEAR
1	SEE TABLE	INTAKE COVER	1	SX	2014/2015
2	CD0029.1B6	NUT, SPEED CLIP, M6	4	SX	2014/2015
3	CD0069.1B7	NUT, SPEED CLIP, M6	2	SX	2014/2015
4	CB0016.1B6	ISOLATING WASHER	12	SX	2014/2015
5	N0039.1B7	SEAT, PASSENGER	1	SX	2014/2015
6	A06030.16CZK	HEX/TORX-FLANGE SCREW M6X16-SW8/T30	1	SX	2014/2015
7	CA0757.1B7	RIVET, REUSABLE, PLASTIC, Ø6.35 HOLE	2	SX	2014/2015
8	BA0409.6BL	1/4X9/16 FLT WASHER NYLON, BLACK	2	SX	2014/2015
9	M1644.1B9ZBG	FAIRING, LEFT, UPPER, ALUMINUM	1	SX	2014/2015
10	M0374.1B9	TRIM PANEL, FRONT FAIRING, LEFT	1	SX	2014/2015
11	M0375.1B9	TRIM PANEL, FRONT FAIRING, RIGHT	1	SX	2014/2015
12	SEE TABLE	FRONT FAIRING, RIGHT	1	SX	2014/2015
13	SEE TABLE	FRONT FAIRING, LEFT	1	SX	2014/2015
14	Sold with 16 below	FAIRING, SIDE, RIGHT LOWER, BLACK TEXTURED	1	SX	2014/2015
15	Sold with 9 above	FAIRING, SIDE, LEFT LOWER, BLACK TEXTURED	1	SX	2014/2015
16	M1645.1B9ZBG	FAIRING, RIGHT, UPPER, ALUMINUM	1	SX	2014/2015
17	CD0066.1B7	WELLNUT, M5X0.8	8	SX	2014/2015
18	CB0009.1B7	WASHER, NYLON, .200 ID X .375 OD X .015	10	SX	2014/2015
19	A05016.3CSS	SCREW, M5-0.8 X 16 BUTTONHEAD ALLEN, STAINLESS STEEL	2	SX	2014/2015
20	A05020.3CSS	SCREW, M5-0.8 X 20 BUTTONHEAD ALLEN, STAINLESS STEEL	8	SX	2014/2015
21	C1034.1B9	TAPE, 3M 5952 VHB, DIE CUT, LEFT	1	SX	2014/2015
22	C1033.1B9	TAPE, 3M 5952 VHB, DIE CUT, RIGHT	1	SX	2014/2015
23	CA0030.1B6	SCREW, SHOULDER, M6-1, CLASS 8.8	11	SX	2014/2015
24	CD0069.1B7	NUT, SPEED CLIP, M6, W/ RETAINING FEATURE	12	SX	2014/2015
25	BN1008.1BL	WASHER, M4X10MM	6	SX	2014/2015
26	A05012.10CCVB	BHCS, M5 X .8 X 12, BLACK T20, CLASS 8.8	6	SX	2014/2015
27	CD0072.1B7	NUT, SPEED CLIP, M6 X 1 X 19.5, W/ RETAINING FEATURE	2	SX	2014/2015
28	M0507.1B9ZBG	TRIM, PRIMARY MUFFLER, RIGHT	1	SX	2014/2015
29	M0506.1B9ZBG	TRIM, PRIMARY MUFFLER, LEFT	1	SX	2014/2015
30	CP0026.1B9	GROMMET, SILCONE, 3/8" ID X 11/16 OD	6	SX	2014/2015
31	EB0024.1B7	BUSHING, TOP HAT (SHOULDER WASHER, BODYWORK)	12	SX	2014/2015
32	A06016.3CSS	SCREW, M6-1.0 X 16 BUTTONHEAD ALLEN, STAINLESS STEEL	4	SX	2014/2015
33	A06030.3CSS	SCREW, M6-1.0 X 30 BUTTONHEAD ALLEN, STAINLESS STEEL	2	SX	2014/2015
34	N0025.1B7	SEAT, RIDER	1	SX	2014/2015
35	A06014.10CCVB	SCREW, M6-1.0 X 14 HEX/TORX	1	SX	2014/2015
36	CA0023.1B6	SCREW, M6X1X14, T30 HEAD	5	SX	2014/2015
37	CB0102.1B7	WASHER, ISOLATING, 8 x 12.7 x 1.65	3	SX	2014/2015
38	SEE TABLE	TAILSECTION BODYWORK SUB-SECTION	1	SX	2014/2015
41	M0741.1B7	ENGINE DECAL	1	RX/SX	2014/2015
46	C0593.1B7	ISOLATING PAD, ADHESIVE, SEAL TO TAILSECTION	2	RX/SX	2014/2015
47	C2024.1B7	TOOL KIT	1	SX	2014/2015

### SX BODYWORK/DECAL TABLE

ITEM NO.	PART NUMBER	DESCRIPTION (all parts include decals if applicable)	QTY	MODEL	YEAR
1	M1222.1B7MDY	KIT, AIRBOX COVER, STRIKE YELLOW, W/SMOKE GRAY GRAPHIC	1	RX/SX	2014/2015
1	M1222.1B7MDZ	KIT, AIRBOX COVER, RACE RED, W/SMOKE GRAY GRAPHIC	1	RX/SX	2014
1	M1222.1B7MEA	KIT, AIRBOX COVER, GALACTIC BLACK, W/SMOKE GRAY GRAPHIC	1	RX/SX	2014/2015
1	M1222.1B9MEC	KIT, AIRBOX COVER, FROSTBITE WHITE, W/SMOKE GRAY GRAPHIC	1	SX	2014/2015
1	M1222.1B9YED	KIT, AIRBOX COVER, LAGUNA BLUE, W/SMOKE GRAY GRAPHIC	1	SX	2014
1	M1222.2B7MEE	KIT, AIRBOX COVER, SIDEWINDER SILVER W/BLACK GRAPHIC	1	SX	2015
1	M1222.2B7MEH	KIT, AIRBOX COVER, MIDNIGHT BLACK, W/RACE RED GRAPHIC	1	SX	2015
1	M1222.2B7MW	KIT, AIRBOX COVER, MIDNIGHT BLACK, W/SMOKE GRAY GRAPHIC	1	SX	2015
1	M1222.2B7MEG	KIT, AIRBOX COVER, SIDEWINDER SILVER, W/RACE RED GRAPHIC	1	RX/SX	2015
12	M0621.1B9MDY	FRONT FAIRING, RIGHT, STRIKE YELLOW	1	SX	2015
12	M0621.1B9MDZ	FRONT FAIRING, RIGHT, RACE RED	1	SX	2014/2015
12	M0621.1B9MEC	FRONT FAIRING, RIGHT, FROSTBITE WHITE	1	SX	2014/2015
12	M0621.1B9MW	FRONT FAIRING, RIGHT, MIDNIGHT BLACK	1	SX	2015
12	M0621.1B9MEA	FRONT FAIRING, RIGHT, GALACTIC BLACK,	1	SX	2014
12	M0621.1B9YED	FRONT FAIRING, RIGHT, LAGUNA BLUE	1	SX	2014
13	M0622.1B9MDY	FRONT FAIRING, LEFT, STRIKE YELLOW	1	SX	2015
13	M0622.1B9MDZ	FRONT FAIRING, LEFT, RACE RED	1	SX	2014/2015
13	M0622.1B9MEC	FRONT FAIRING, LEFT, FROSTBITE WHITE	1	SX	2014/2015
13	M0622.1B9MEA	FRONT FAIRING, LEFT, GALACTIC BLACK	1	SX	2014
13	M0622.1B9MW	FRONT FAIRING, LEFT, MIDNIGHT BLACK	1	SX	2015
13	M0622.1B9YED	FRONT FAIRING, LEFT, LAGUNA BLUE	1	SX	2014
38	M1664.1B9YED	KIT, TAILSECTION, LAGUNA BLUE, W/RWB GRAPHIC	1	SX	2014
38	M1664.2B7MDY	KIT, TAILSECTION ASSEMBLY, STRIKE YELLOW, W/RWB GRAPHIC	1	SX	2014/2015
38	M1664.2B7MDZ	KIT, TAILSECTION ASSEMBLY, RACE RED, W/RWB GRAPHIC	1	SX	2014/2015
38	M1664.2B7MEC	KIT, TAILSECTION ASSEMBLY, FROSTBITE WHITE, W/RWB GRAPHIC	1	SX	2014/2015
38	M1664.2B7MEE	KIT, TAILSECTION ASSEMBLY, SIDEWINDER SILVER W/RWB GRAPHIC	1	RX/SX	2015
38	M1664.2B7MW	KIT, TAILSECTION ASSEMBLY, MIDNIGHT BLACK W/ RWB GRAPHIC	1	SX	2015
38	M1664.2B7MEA	KIT, TAILSECTION ASSEMBLY, GALACTIC BLACK W/RWB GRAPHIC	1	RX/SX	2014/2015
39	M0736.1B9	DECAL, TAIL, LEFT, RWB	1	RX/SX	2015
40	M0737.1B9	DECAL, TAIL, RIGHT, RWB	1	RX/SX	2015
42	M0762.1B9	DECAL, SIDE, LEFT, BLACK/YELLOW	1	SX	2014/2015
43	M0763.1B9	DECAL, SIDE, RIGHT, BLACK/YELLOW	1	SX	2014/2015
44	M0767.1B7	DECAL, AIRBOX COVER, RIGHT, GRAY	1	RX/SX	2014/2015
45	M0768.1B7	DECAL, AIRBOX COVER, LEFT, GRAY	1	RX/SX	2014/2015
44	M0767A.2B7	DECAL, AIRBOX COVER, RIGHT, RED	1	RX/SX	2015
45	M0768A.2B7	DECAL, AIRBOX COVER, LEFT, RED	1	RX/SX	2015