

2007 BUELL® PARTS CATALOG



# P3 BLAST® MODEL

OFFICIAL FACTORY CATALOG - 99573-07Y

# GENERAL INFORMATION

## 2007 BUELL BLAST MODEL PARTS CATALOG

THIS IS NOT AN ASSEMBLY MANUAL AND SHOULD NOT BE USED AS SUCH

### About This Manual

This Parts Catalog has been prepared to make it easier for you to order parts for the 2007 Buell Blast model motorcycles. The numbers shown in the illustrations correspond to the numbers in the "INDEX NO." column in the parts lists. Please consult the illustrations when ordering parts to ensure you receive all the required parts. Take note that the number in parenthesis following the part description is the quantity of that part needed for complete assembly; if there is no number in parenthesis, only one is used. Prices of parts in this catalog are published separately.

The following instructions should be followed carefully when ordering parts:

- When a part is revised during the model year the early version part will be marked in the MODELS column with 'E' followed by the model year in which the change occurred. This indicates the part was used early in the model year. The latest version of the part will be marked in the MODELS column with 'L' followed by the model year in which the change occurred. This indicates the part was used late in the model year.
- Be sure to specify the correct part number for each item. The part numbers appear under the "PART NO." column in the parts lists.
- Orders may be placed via your computer for all parts. Please review your system documentation for details on placing orders electronically. All non-warranty replacement crankcase orders require return of the complete left crankcase half with V.I.N.. All non-warranty replacement frame orders require return of the steering neck with V.I.N.. Non-compliance will result in a fine. See non-warranty frame and crankcase policy or contact your SPOC team for details.

To the best knowledge of Buell Motorcycle Company, the material contained herein is accurate as of the date this publication was approved for printing. Buell Motorcycle Company reserves the right to change specifications, equipment, or designs at any time without notice and without incurring obligation.

### Vehicle Identification Number (V.I.N.)

See Figure 1 on the next page. The full 17-digit serial, or V.I.N., is stamped on the right side of the steering head and printed on a label located on the right edge of the front tie bar frame bracket. An abbreviated V.I.N. or Motor Identification Number is stamped into a flat on the left crankcase half at the base of the cylinder.

Sample V.I.N. as it appears on the steering head - 4MZKP01D373000456

Sample abbreviated V.I.N. as it appears on the left crankcase - KP017000456

Always give the full 17-digit V.I.N. when ordering parts or making any inquiry about your motorcycle.

1
2
3
4
5
6
7
8
9

4MZ KP 01 D 3 7 3 0 00456

Figure 1. Typical Buell V.I.N.: 2007 Blast Models

Table 1. Buell V.I.N. Breakdown: 2007 Models

POSITION	DESCRIPTION	POSSIBLE VALUES
1	Market designation (WMI code)	4MZ = Buell vehicles originally manufactured for sale <b>within</b> the United States 5MZ = Buell vehicles originally manufactured for sale <b>outside</b> the United States
2	Motorcycle type code	AX=Firebolt DX=Ulysses JX=Lightning Long KP=Blast KX=Lightning CityX SX=Lightning WX=Lightning Scg
3	Engine type	01=492cc 02=984cc 03=1203cc
4	Market configuration	A=Australia L=California N=Canada D=Domestic E=England R=Europe J=Japan
5	V.I.N. check digit	Can be 0-9 or X
6	Model year	7=2007
7	Assembly plant	3=East Troy, WI U.S.A.
8	Model	0=Blast (07) 1=XB9R (07) 2=XB9SX (07) 3=XB12R (07) 4=XB12S (07) 5=XB12Scg (07) 6=XB12Ss (07) 7=XB12X (07)
9	Sequential number (last five digits)	Varies

## ALPHABETICAL INDEX

PART DESCRIPTION .....	PAGE	PART DESCRIPTION .....	PAGE
AIR CLEANER.....	23	HYDRAULIC LIFTERS.....	9
ALTERNATOR & REGULATOR.....	25	IGNITION COIL.....	27
AUTO ENRICHENER SYSTEM.....	21	IGNITION MODULE.....	27
AXLE, FRONT.....	43	INTAKE MANIFOLD.....	21
AXLE, REAR.....	45	LABELS.....	85
BATTERY.....	75	LEVER, TRANSMISSION GEAR SHIFT.....	33
BATTERY CABLES.....	75	LICENSE PLATE BRACKET.....	63
BELT GUARD.....	61	LOCK, IGNITION.....	83
BELTS & SPROCKETS.....	37	MASTER CYLINDER, FRONT.....	39
BRAKE CALIPER, FRONT.....	39	MASTER CYLINDER, REAR.....	41
BRAKE CALIPER, REAR.....	41	MIRRORS.....	59
BRAKE LINE, FRONT.....	39	MUFFLER.....	73
BRAKE LINE, REAR.....	41	OIL FILTER & HOSES.....	71
BRAKE PADS, FRONT.....	39	OIL PRESSURE SWITCH.....	71
BRAKE PADS, REAR.....	41	OIL PUMP.....	19
BRAKE ROTOR, FRONT.....	43	OIL TANK FILLER CAP.....	71
BRAKE ROTOR, REAR.....	45	PCV VALVE.....	23
CABLE, IDLE CONTROL.....	59	PISTON & FLYWHEEL ASSEMBLY.....	11
CABLE, THROTTLE CONTROL.....	59	PISTON RINGS.....	11
CALIFORNIA EVAPORATIVE EMISSIONS COMPONENTS.....	87	PRIMARY CHAIN.....	37
CAMSHAFTS & CAM COVER.....	17	PRIMARY COVER & CHAIN TENSIONER.....	15
CARBURETOR.....	21	PUSH RODS & COVER.....	9
CLUTCH.....	35	REAR BRAKE CONTROL & CALIPER.....	41
CLUTCH CABLE.....	59	REAR FENDER & BELT GUARDS.....	61
CLUTCH LEVER.....	59	REAR SHOCK ABSORBER.....	51
CONNECTING ROD.....	11	REAR WHEEL.....	45
CONNECTORS.....	83	REFLECTORS, FRONT FORK.....	49
COVER, CLUTCH.....	15	REFLECTORS, REAR.....	79
COVER, ROCKER ARM.....	9	RELAY, STARTER.....	83
CRANKCASE.....	13	ROCKER ARMS, COVERS & PUSH RODS.....	9
CYLINDER, HEAD & VALVES.....	7	ROTOR, IGNITION.....	27
DECALS.....	67	SEAT & TAIL SECTION.....	63
ELECTRONIC IGNITION SYSTEM.....	27	SENSOR, BANK ANGLE.....	83
ENGINE MOUNTS.....	55	SENSOR, VEHICLE SPEED.....	81
ENGINE, COMPLETE.....	7	SHIFTER.....	33
EVAPORATIVE EMISSIONS COMPONENTS.....	87	SHOCK ABSORBERS, REAR.....	51
EXHAUST SYSTEM.....	73	SIDE COVER.....	65
FAIRING, REAR.....	63	SIDESTAND.....	53
FENDER, FRONT.....	65	SPARK PLUGS.....	27
FENDER, REAR.....	61	SPEEDOMETER.....	81
FLASHER, TURN SIGNALS.....	79	SPROCKET COVERS.....	61
FLYWHEEL.....	11	SPROCKETS.....	37
FOOTPEGS.....	53	STARTER MOTOR.....	29
FORK, FRONT.....	49	STATOR.....	25
FRAME.....	53	STEERING HEAD.....	47
FRONT BRAKE CONTROL & CALIPER.....	39	SWINGARM.....	57
FRONT FORK.....	49	SWITCH, OIL PRESSURE.....	83
FRONT WHEEL.....	43	SWITCHES, HANDLEBAR.....	59
FUEL TANK.....	69	SWITCHES, SENSORS & ELECTRICAL CONNECTORS.....	83
FUEL TANK COVER.....	65	TAIL LAMP & TURN SIGNALS.....	79
FUSES.....	83	TAIL SECTION.....	63
GASKET KIT, ENGINE OVERHAUL.....	7	TANK COVER, FRONT FENDER & BODYWORK.....	65
GASKET KIT, ROCKER COVERS.....	9	THROTTLE CONTROL.....	59
GASKET KIT, TOP OVERHAUL.....	7	THROTTLE POSITION SENSOR.....	21
GEARCASE.....	17	TIRE, FRONT.....	43
HANDLEBARS & HAND CONTROLS.....	59	TIRE, REAR.....	45
HEADLAMP & HORN.....	77	TRANSMISSION GEARS.....	31
HORN.....	77	TURN SIGNALS.....	79

## ALPHABETICAL INDEX

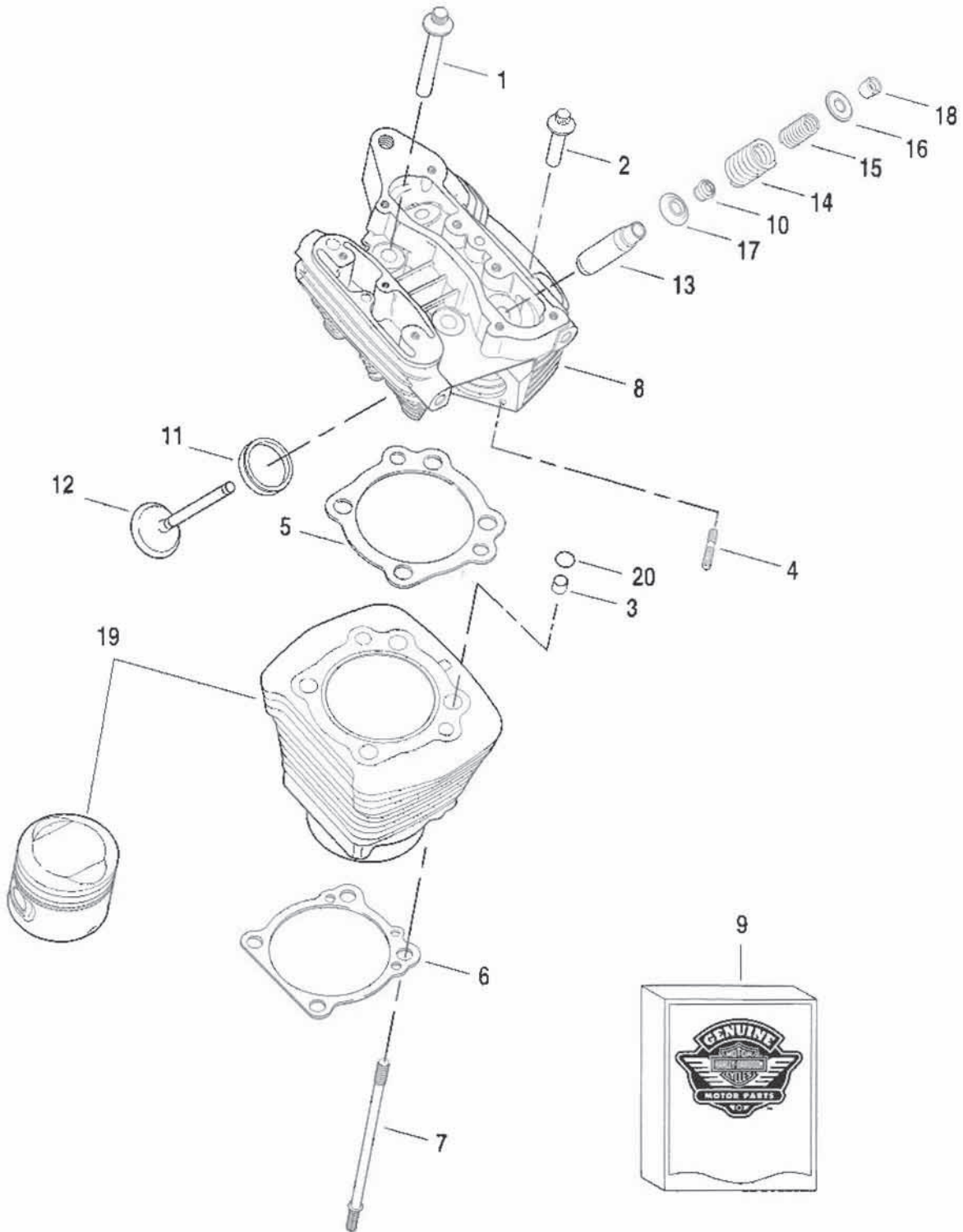
PART DESCRIPTION .....	PAGE
VALVES & GUIDES.....	7
VOLTAGE REGULATOR.....	25
WHEEL, FRONT.....	43
WHEEL, REAR.....	45
WINDSCREEN.....	65
WIRING HARNESS, MAIN.....	83
WIRING HARNESS, REAR LAMPS.....	79

PART DESCRIPTION .....	PAGE
------------------------	------

### REFERENCE MATERIAL

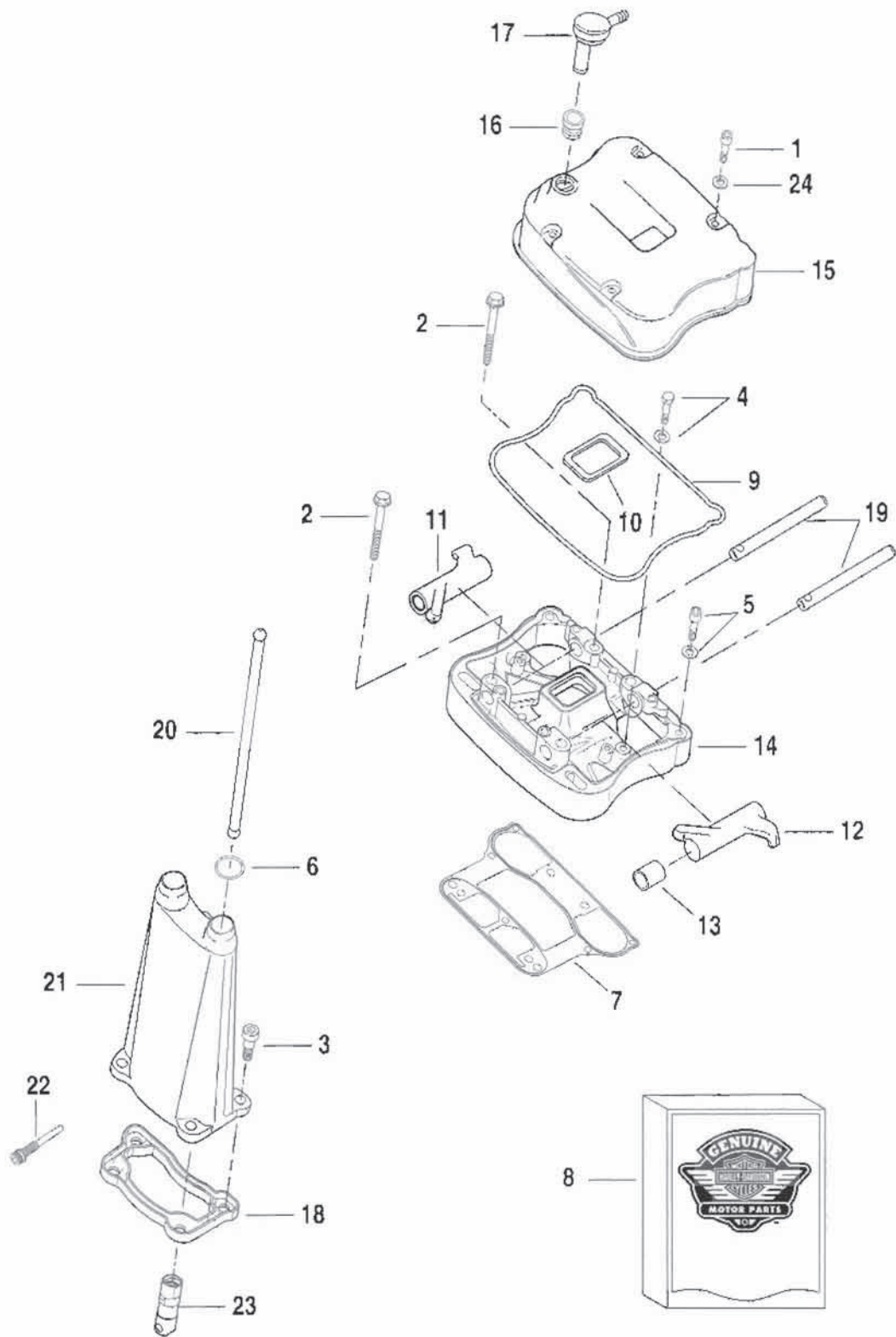
HARDWARE LIST .....	88
NEW PARTS LIST .....	90
NUMERICAL INDEX .....	91

# CYLINDER HEAD & VALVES



INDEX NO.	PART NO.	DESCRIPTION	MODEL(S)
	19284-06	ENGINE ASSEMBLY, w/o front isolator mount attached (not illustrated)	KP
1	16478-85A	SCREW, internal thread (2)	KP
2	16480-92A	SCREW, internal thread (2)	KP
3	16573-83	INSERT, cylinder stud (2)	KP
4	16715-83	STUD, exhaust port (2)	KP
5	16770-84D	GASKET, cylinder head	KP
6	16774-86D	GASKET, cylinder base	KP
7	16832-86C	STUD, cylinder base (4)	KP
8	16855-00Y	HEAD, cylinder, w/ valve guides & seats	KP
9	17054-00YB	GASKET KIT, engine overhaul	KP
	17055-00YA	GASKET KIT, top overhaul	KP
10	18001-83B	SEAL, valve (2)	KP
11	18020-87A	SEAT, intake valve	KP
	18022-96YA	SEAT, exhaust valve	KP
12	18023-87	VALVE, intake	KP
	18058-00Y	VALVE, exhaust	KP
13	18113-96YA	VALVE GUIDE, intake & exhaust (2)	KP
	18130-83D	VALVE GUIDE, intake & exhaust - 0.001 O.S. (2)	KP
	18133-83B	VALVE GUIDE, intake & exhaust - 0.002 O.S. (2)	KP
14	18201-83	SPRING, valve - outer (2)	KP
15	18202-83	SPRING, valve - inner (2)	KP
16	18219-83A	COLLAR, valve spring - upper (2)	KP
17	18222-83A	COLLAR, valve spring - lower (2)	KP
18	18229-83A	RETAINER, valve coliar (2)	KP
19	22662-99Y	CYLINDER, w/ piston & rings	KP
20	26432-76A	O-RING, cylinder stud insert (4)	KP

# ROCKER ARMS, COVERS & PUSH RODS

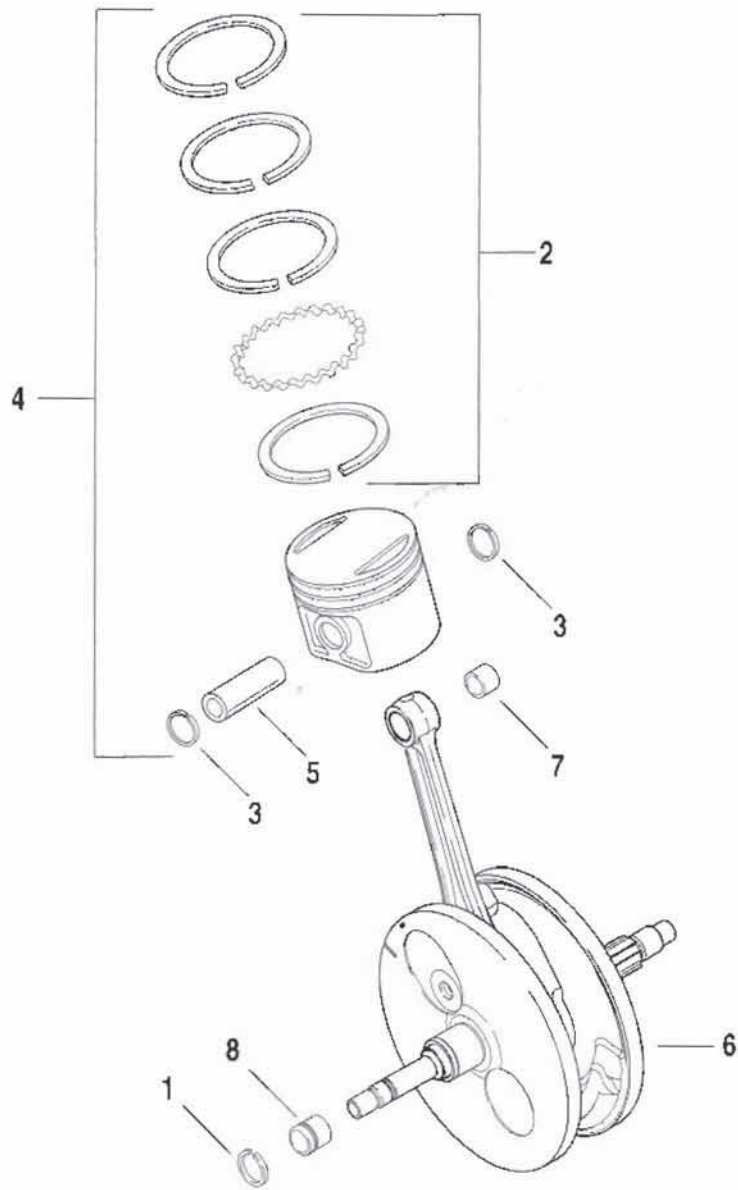




## ROCKER ARMS, COVERS &amp; PUSH RODS

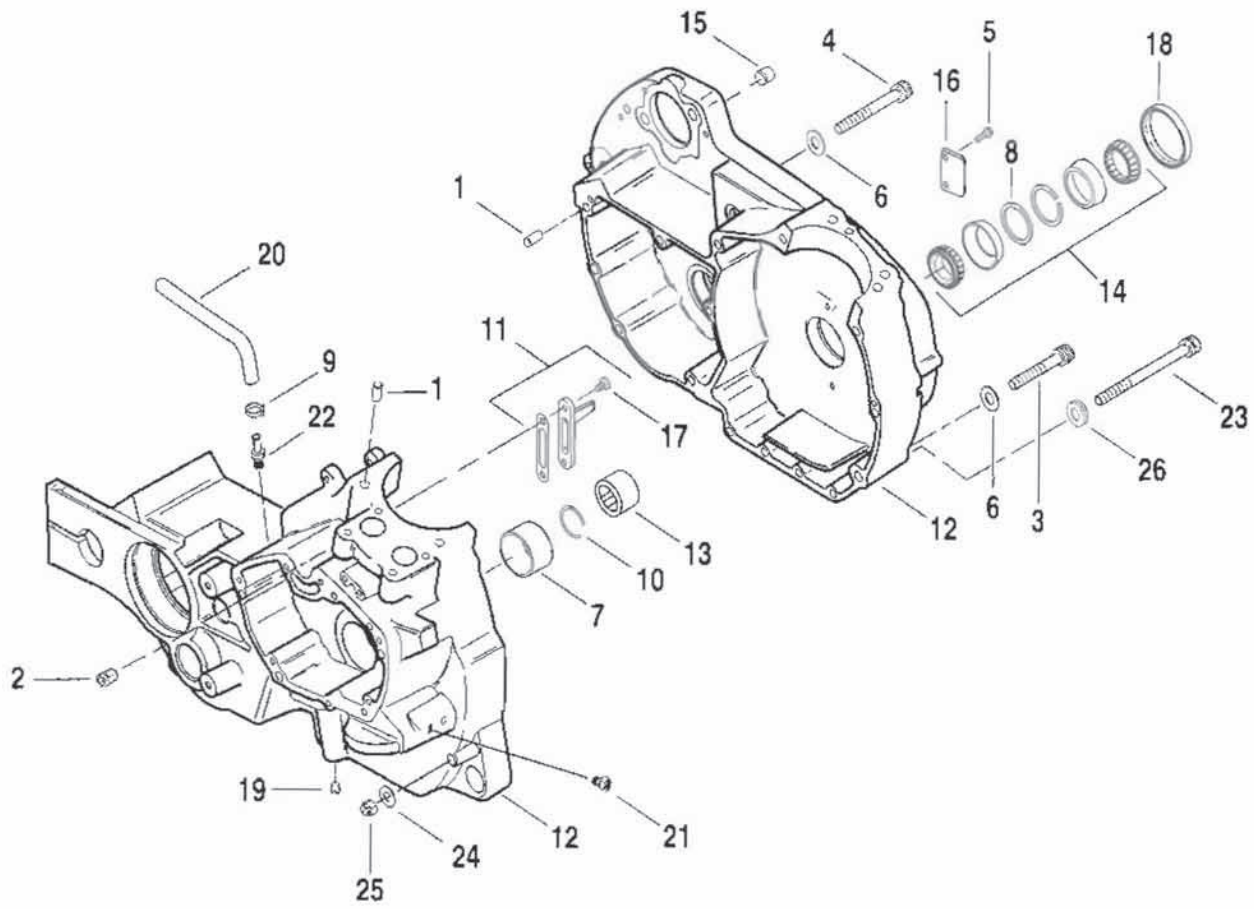
INDEX NO.	PART NO.	DESCRIPTION	MODEL(S)
1	882	SCREW (4)	KP
2	1039	SCREW, hex flange head, w/ locker (4)	KP
3	3299Y	SCREW, w/ washer (4)	KP
4	3849	SCREW, w/ washer (3)	KP
5	4718A	SCREW, w/ washer (2)	KP
6	11190	O-RING, push rod cover - upper (2)	KP
7	16800-84A	GASKET, rocker cover/cylinder head combined	KP
8	17036-91	GASKET KIT, rocker covers, w/ 8, 9, 11, 12 & 26	KP
9	17362-07	GASKET, rocker cover - lower	KP
10	17695-07	GASKET, rocker cover - inner	KP
11	17360-83A	ROCKER ARM, intake	KP
12	17375-83A	ROCKER ARM, exhaust	KP
13	17428-57	BUSHING, rocker arm (4)	KP
14	17598-07	ROCKER COVER, inner	KP
15	17605-00YA	ROCKER COVER, top	KP
16	17606-00YA	GROMMET	KP
17	17607-00Y	PCV VALVE	KP
18	17608-00Y	GASKET, push rod cover	KP
19	17611-83	SHAFT, rocker arm (2)	KP
20	17984-00YA	PUSH ROD, intake	KP
	17985-00Y	PUSH ROD, exhaust	KP
21	17986-00Y	COVER, push rod	KP
22	18532-00A	SCREW, tappet anti-rotation (2)	KP
23	18538-99B	HYDRAULIC LIFTER (2)	KP
24	63858-49	GASKET (4)	KP

# PISTON & FLYWHEEL ASSEMBLY



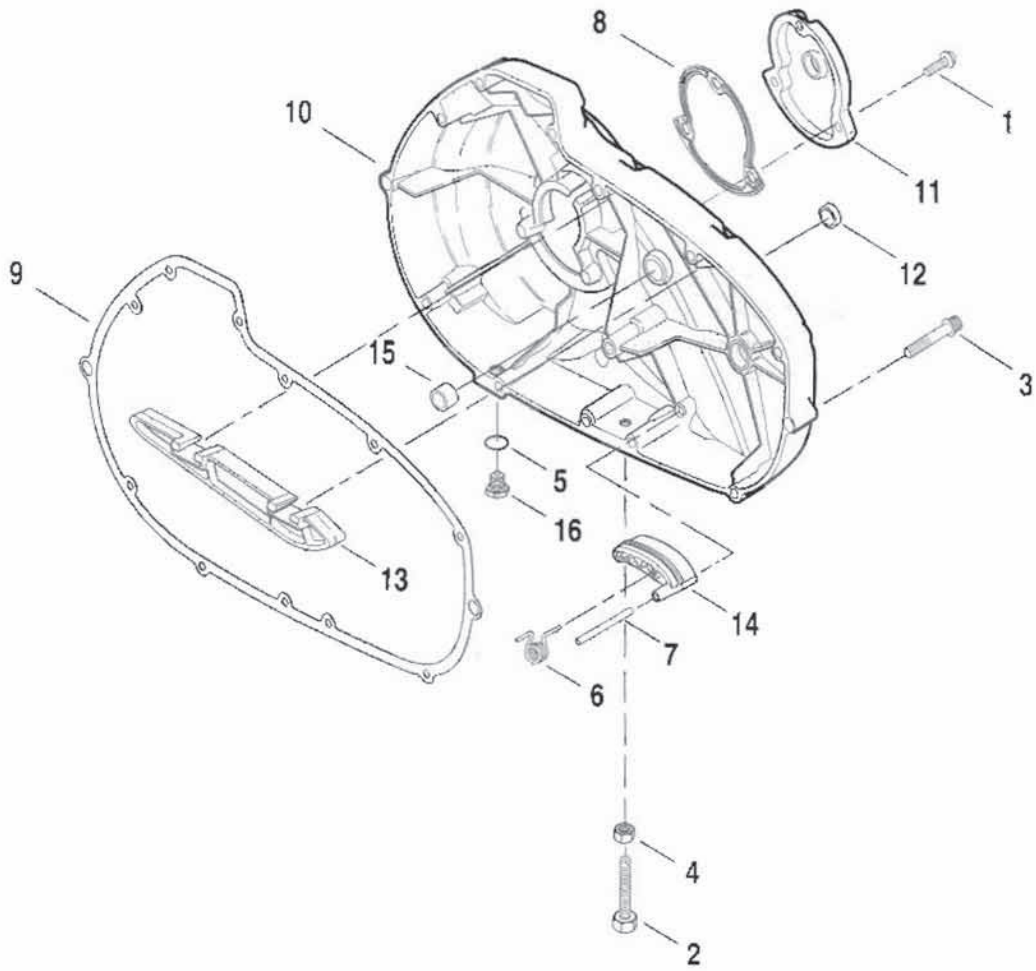
INDEX NO.	PART NO.	DESCRIPTION	MODEL(S)
1	11177A	RETAINING RING	KP
2	21920-83	PISTON RING SET, standard	KP
	21921-83	PISTON RING SET, 0.005 O.S.	KP
	21922-83	PISTON RING SET, 0.010 O.S.	KP
	21923-83	PISTON RING SET, 0.020 O.S.	KP
	21924-83	PISTON RING SET, 0.030 O.S.	KP
3	22589-83B	LOCK RING, piston pin (2)	KP
4	22676-98Y	PISTON & RINGS ASSEMBLY, standard	KP
	22677-98Y	PISTON & RINGS ASSEMBLY, 0.005 O.S.	KP
	22678-98Y	PISTON & RINGS ASSEMBLY, 0.010 O.S.	KP
5	22765-88	PISTON PIN	KP
6	23921-00Y	FLYWHEEL & CONNECTING ROD ASSEMBLY	KP
7	24331-36	BUSHING, piston pin - standard	KP
	24332-36	BUSHING, piston pin - 0.01 oversize	KP
8	24658-87	INNER RING	KP

# CRANKCASE



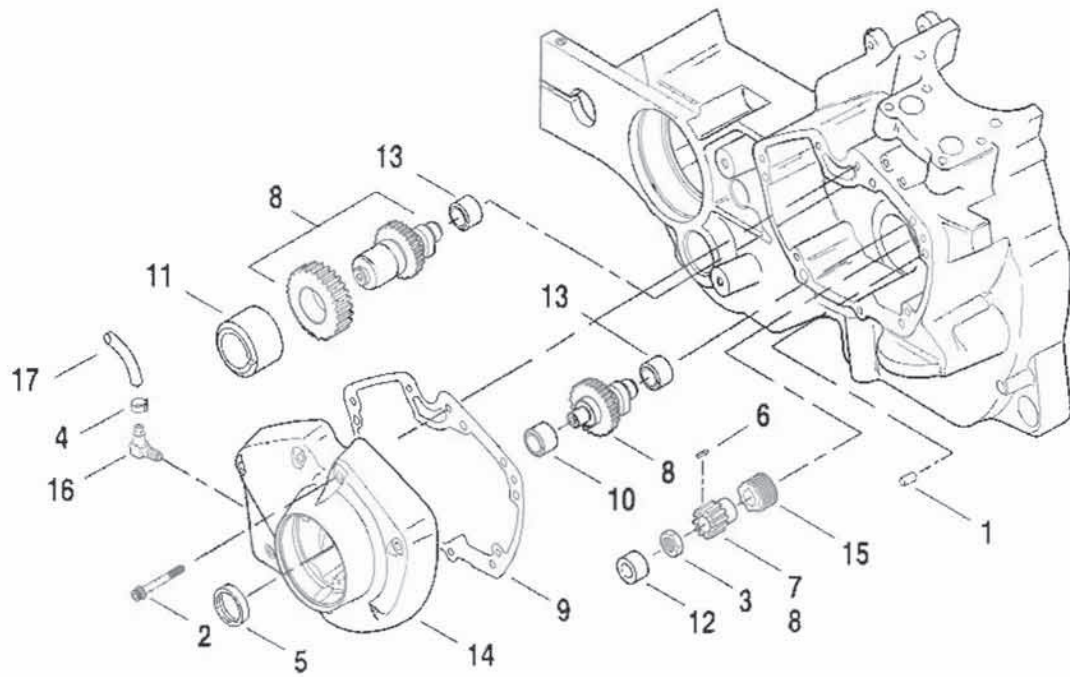
INDEX NO.	PART NO.	DESCRIPTION	MODEL(S)
1	358	DOWEL PIN (3)	KP
2	720	PLUG, timing	KP
3	876A	SCREW (9)	KP
4	879A	SCREW (5)	KP
5	4091	SCREW (2)	KP
6	6314W	WASHER (14)	KP
7	8881	BEARING RACE	KP
8	9142	SHIM, roller bearing - 0.100	KP
	9143	SHIM, roller bearing - 0.102	KP
	9144	SHIM, roller bearing - 0.104	KP
	9145	SHIM, roller bearing - 0.106	KP
	9146	SHIM, roller bearing - 0.108	KP
	9147	SHIM, roller bearing - 0.110	KP
	9148	SHIM, roller bearing - 0.112	KP
	9149	SHIM, roller bearing - 0.114	KP
	9155	SHIM, roller bearing - 0.098	KP
9	10080	CLAMP, hose (3)	KP
10	11177A	RETAINING RING	KP
11	22265-00Y	OIL JET ASSEMBLY, complete	KP
12	24414-00Y	CRANKCASE SET, w/ bearings (painted silver)	KP
13	24647-87	BEARING, gear shaft (blue)	KP
	24650-87	BEARING, gear shaft (red)	KP
	24659-87	BEARING, gear shaft (white/gray)	KP
	24660-87	BEARING, gear shaft (green)	KP
14	24729-74	BEARING ASSEMBLY	KP
15	24754-75A	DOWEL PIN (2)	KP
16	29950-91	COVER, stator wires	KP
17	32617-00Y	SCREW, oil jet mounting (2)	KP
18	35151-74A	OIL SEAL	KP
19	45830-48	PLUG	KP
20	62340-01Y	HOSE, preformed	KP
21	62902-00Y	FITTING, connector - straight	KP
22	63533-41A	FITTING, connector - vent	KP
23	AA0636.2CZ	SCREW	KP
24	BA0613.2Z	WASHER	KP
25	DA0600.11CZ	LOCKNUT	KP
26	L0178.K	SPACER	KP

# PRIMARY COVER & CHAIN TENSIONER



INDEX NO.	PART NO.	DESCRIPTION	MODEL(S)
1	943	SCREW, sems (3)	KP
2	3301Y	BOLT, chain adjustment	KP
3	4820A	SCREW, sems (14)	KP
4	7804	LOCKNUT, chain adjustment	KP
5	11105	O-RING	KP
6	24349-00Y	SPRING, chain tensioner	KP
7	24350-00Y	PIN, chain tensioner	KP
8	25377-03A	GASKET, clutch cover	KP
9	25352-00YA	GASKET, primary cover	KP
10	25521-00Y	PRIMARY COVER, w/ 40520-63 (painted black)	KP
11	25349-03	COVER & GASKET KIT, w/ 25377-03	KP
12	37101-84A	OIL SEAL, shifter shaft	KP
13	39934-00Y	CHAIN GUIDE	KP
14	39922-00Y	SHOE, chain adjuster	KP
15	40520-63	BUSHING	KP
16	60328-98A	DRAIN PLUG KIT, w/ 11105	KP

# CAM SHAFTS & CAM COVER



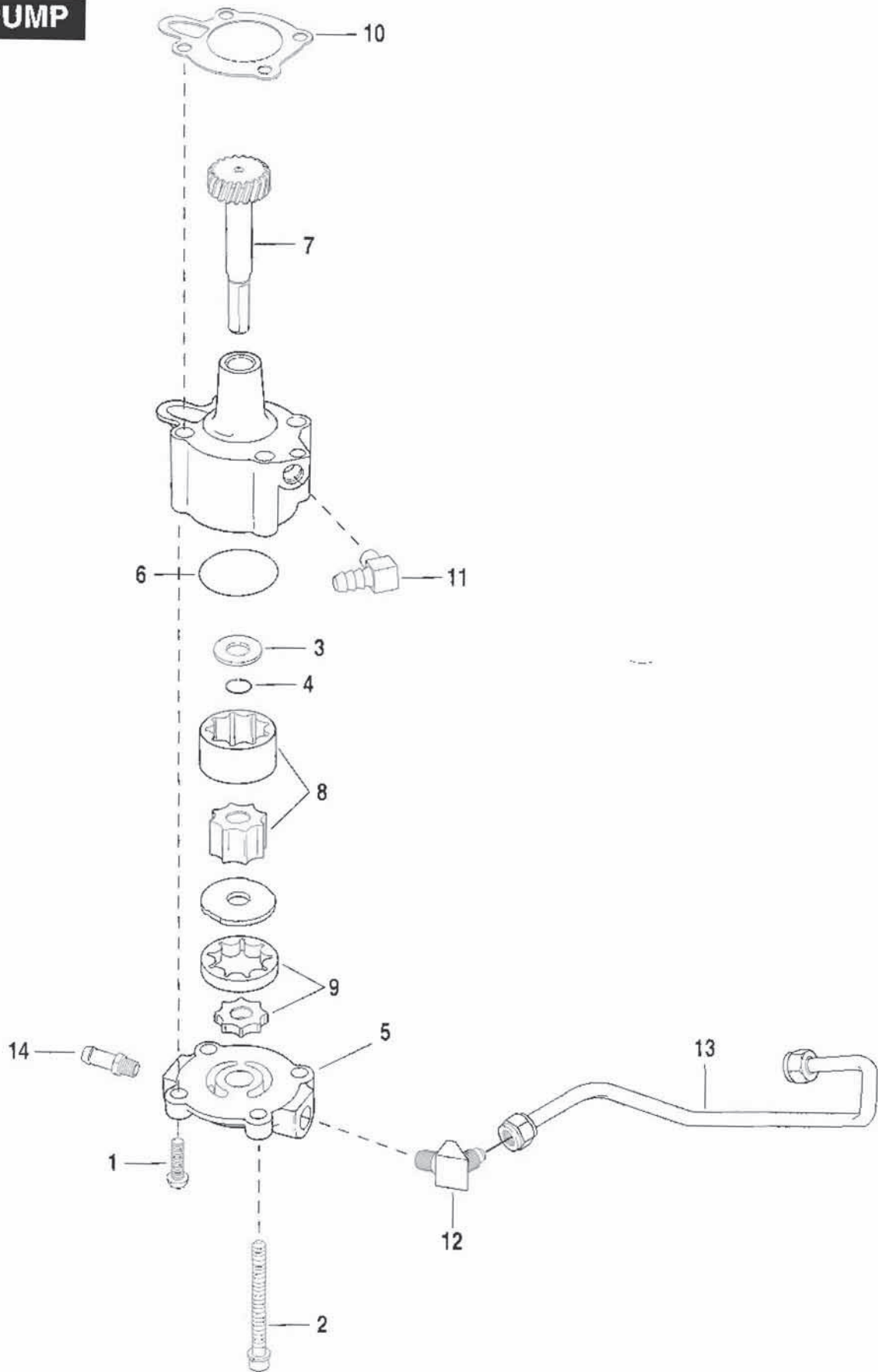


INDEX NO.	PART NO.	DESCRIPTION	MODEL(S)
1	215	DOWEL PIN (2)	KP
2	4820A	SCREW, sems (7)	KP
3	7916A	JAM NUT	KP
4	10117	CLAMP	KP
5	11124	SEAL	KP
6	11317	KEY, square	KP
7	24047-00	PINION GEAR	KP
8	25196-00YB	W CAM GEAR SET, w/ pinion gear	KP
9	25353-00YA	GASKET, camshaft cover	KP
10	25586-37	BUSHING, outer - cam gear shaft	KP
11	25588-91	BUSHING, outer	KP
12	25593-74	BUSHING, gear shaft - pinion	KP
13	25598-91	BUSHING, inner - camshaft gear (2)	KP
14	25756-02	GEAR COVER ASSEMBLY, w/ oil seal & fitting (painted black)	KP
15	26318-88A	DRIVE GEAR, oil pump	KP
16	62375-57A	FITTING, oil vent hose	KP

NOTE: Hose or insulator is sold in bulk length under the following part numbers. Cut to length.

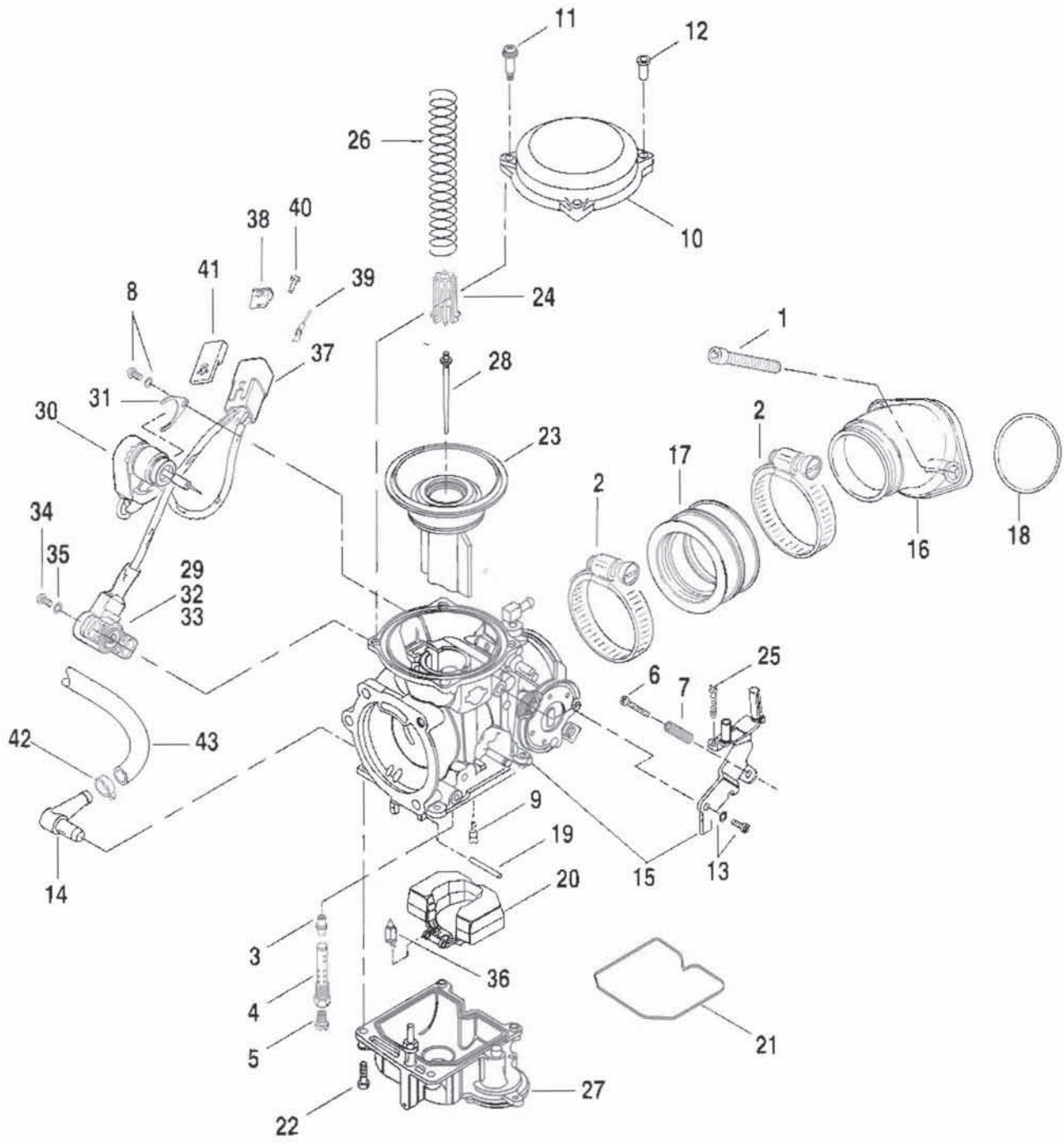
17	63501-88A	HOSE, 1/4 in. I.D. rubber (25 ft. lg.)	KP
----	-----------	--	----

# OIL PUMP



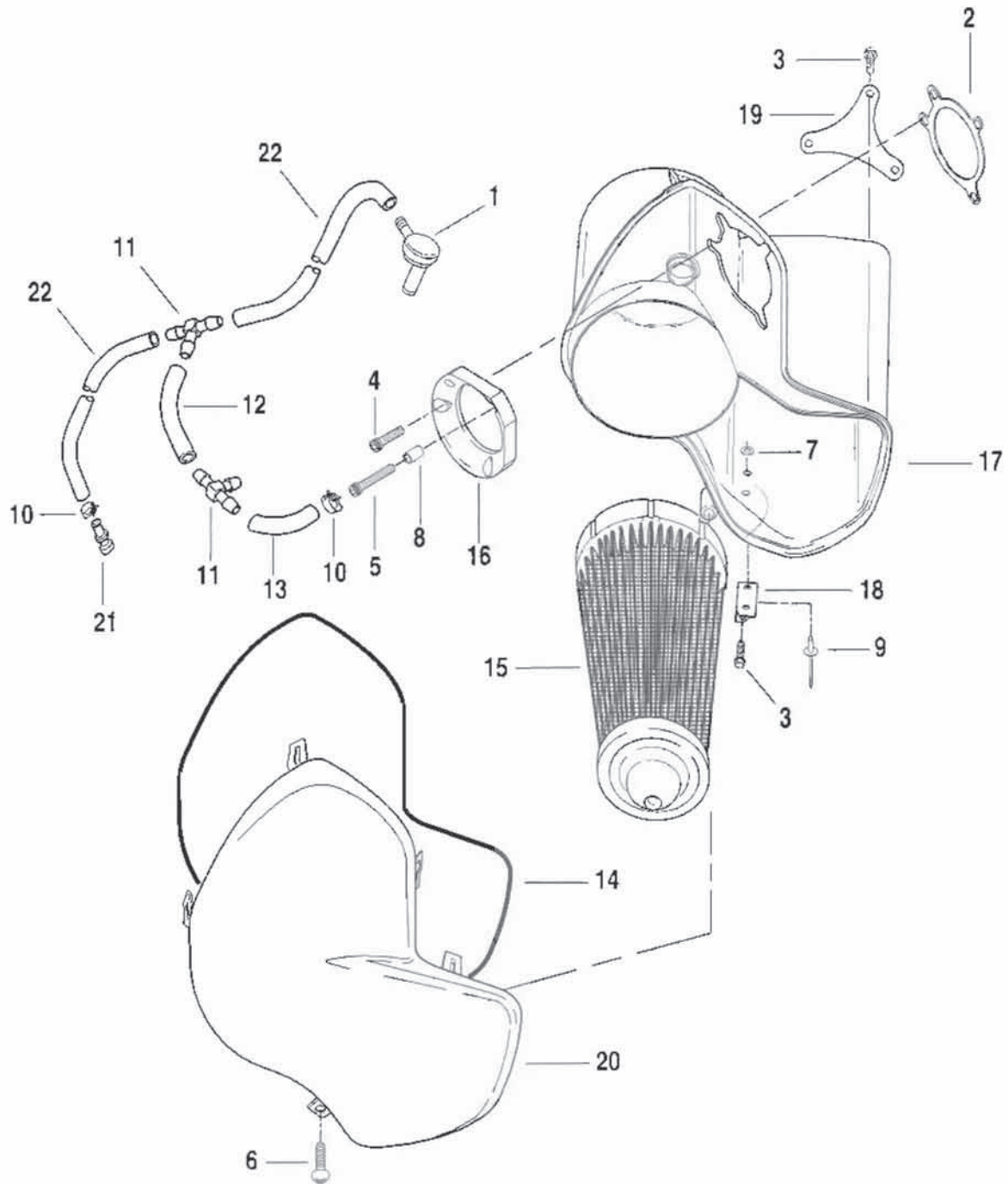
INDEX NO.	PART NO.	DESCRIPTION	MODEL(S)
1	4132	SCREW (2)	KP
2	4765	SCREW, sems (2)	KP
3	6157	WASHER	KP
4	11002	RETAINING RING	KP
5	26204-91A	OIL PUMP, complete	KP
6	26434-91	O-RING	KP
7	26239-07	GEAR SHAFT	KP
8	26502-07	GEROTOR SET, return	KP
9	26503-07	GEROTOR SET, feed	KP
10	26495-89B	GASKET, pump mounting	KP
11	26496-75A	FITTING, 90 degree (2)	KP
12	62854-00Y	FITTING, connector - 45 degree	KP
13	62855-00Y	OIL LINE ASSEMBLY, oil pump to filter	KP
14	63533-41A	FITTING, connector - rear	KP

# CARBURETOR



INDEX NO.	PART NO.	DESCRIPTION	MODEL(S)
1	3275	SCREW (2)	KP
2	9991A	CLAMP (2)	KP
3	27100-88	NEEDLE JET	KP
4	27101-88	NEEDLE JET HOLDER	KP
5	27115-88	MAIN JET	KP
6	27130-90	IDLE SCREW	KP
7	27136-90A	SPRING	KP
8	27146-89	SCREW, w/ lockwasher, auto enrichener	KP
9	27171-89	SLOW JET	KP
10	27261-96	TOP, carburetor	KP
11	27262-96	SCREW, top (3)	KP
12	27263-96	COLLAR, carburetor top	KP
13	27317-88	SCREW, w/ lockwasher	KP
14	27371-76A	FITTING	KP
15	27404-00YA	CARBURETOR ASSEMBLY	KP
16	27441-00Y	MANIFOLD ASSEMBLY, air intake w/ coupler, o-ring & clamps	KP
17	27443-00Y	COUPLER, manifold-carburetor	KP
18	27444-00Y	O-RING, manifold-engine	KP
19	27575-88A	PIN	KP
20	27576-92	FLOAT	KP
21	27577-92	O-RING, float chamber	KP
22	27579-88A	SCREW (4)	KP
23	27585-88	VACUUM PISTON	KP
24	27586-88	SPRING SEAT	KP
25	27587-88	SCREW	KP
26	27636-00Y	SPRING, vacuum piston	KP
27	27638-00Y	FLOAT CHAMBER ASSEMBLY	KP
28	27672-02	JET NEEDLE	KP
29	27781-00Y	O-RING	KP
30	27782-00Y	AUTO-ENRICHENER	KP
31	27783-00Y	STAY PLATE	KP
32	27784-00Y	THROTTLE POSITION SENSOR	KP
33	27785-00Y	JOINT COLLAR	KP
34	27786-00Y	SCREW (2)	KP
35	27787-00Y	WASHER (2)	KP
	27788-00Y	PURGE PORT CAP (not illustrated)	KP
36	27886-78A	VALVE, w/ clip	KP
37	72106-94BK	CONNECTOR, 6-way	KP
38	72146-94	SECONDARY LOCK	KP
39	72190-94	TERMINAL PIN (5)	KP
40	72195-94	PIN SEAL	KP
41	72199-94	ATTACHMENT CLIP	KP
	HS0431.B	HOSE, fuel line (not illustrated)	KP
42	Q0123.0	HOSE CLAMP, fuel line	KP
NOTE: Hose or insulator is sold in bulk length under the following part numbers. Cut to length.			
43	63501-68A	HOSE, 1/4 in. I.D. rubber (25 ft. lg.)	KP

# AIR CLEANER

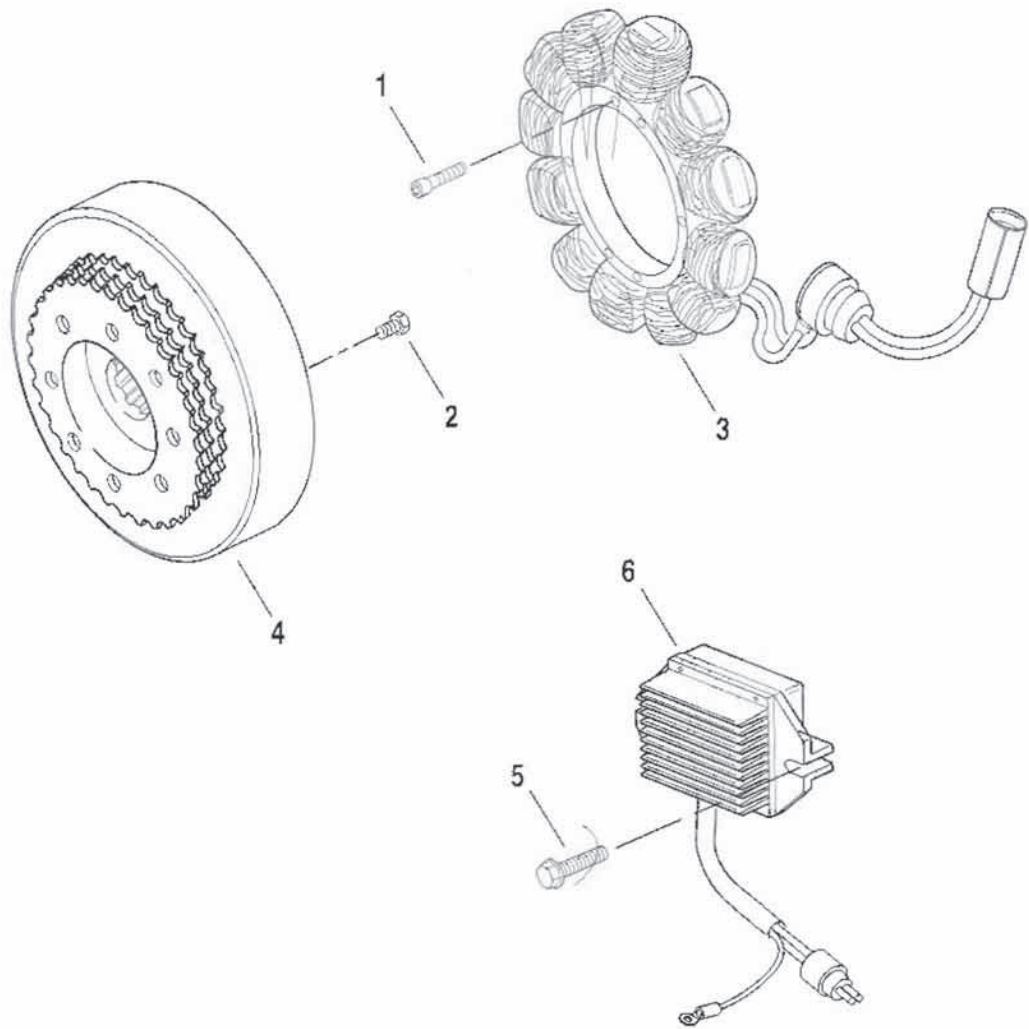


INDEX NO.	PART NO.	DESCRIPTION	MODEL(S)
1	17607-00Y	PCV VALVE	KP
2	29059-88A	GASKET, carburetor	KP
3	AA0405.21CJLZB	SCREW (4)	KP
4	AA0406.2CXBL	SCREW (2)	KP
5	AA0410.2CXBL	SCREW	KP
6	AN0604.14CDBL	SCREW	KP
7	BA0409.1Z	WASHER (2)	KP
8	C0157.T	SPACER	KP
9	C0512.T	RIVET (2)	KP
10	C0540.9	CLAMP, spring type - 3/8 in. (2)	KP
11	HO0203.8B	HOSE CONNECTOR, 3-way (2)	KP
12	HS0604.T	HOSE, 60 degree preformed	KP
13	HS0605.T	HOSE, 90 degree preformed	KP
14	M0720.C	SEAL, air cleaner - cover/body	KP
15	P0213.T	AIR FILTER	KP
16	P0241.T	VENTURI RING	KP
17	P0557.T	AIR FILTER BOX, main body	KP
18	P0561.T	BRACKET, mounting - right	KP
19	P0563.T	BRACKET, mounting - left	KP
20	P0715.T	COVER, air cleaner	KP
	P1220.T	AIR CLEANER ASSEMBLY, w/ 2, 7, 9, 14, 17 & 18	KP
21	Q0103.9A	PLUG, drain	KP

NOTE: Hose or Insulator is sold in bulk length under the following part numbers. Cut to length.

22	63500-68	HOSE, 3/8 in. I.D. rubber (22 in. length)	KP
----	----------	---	----

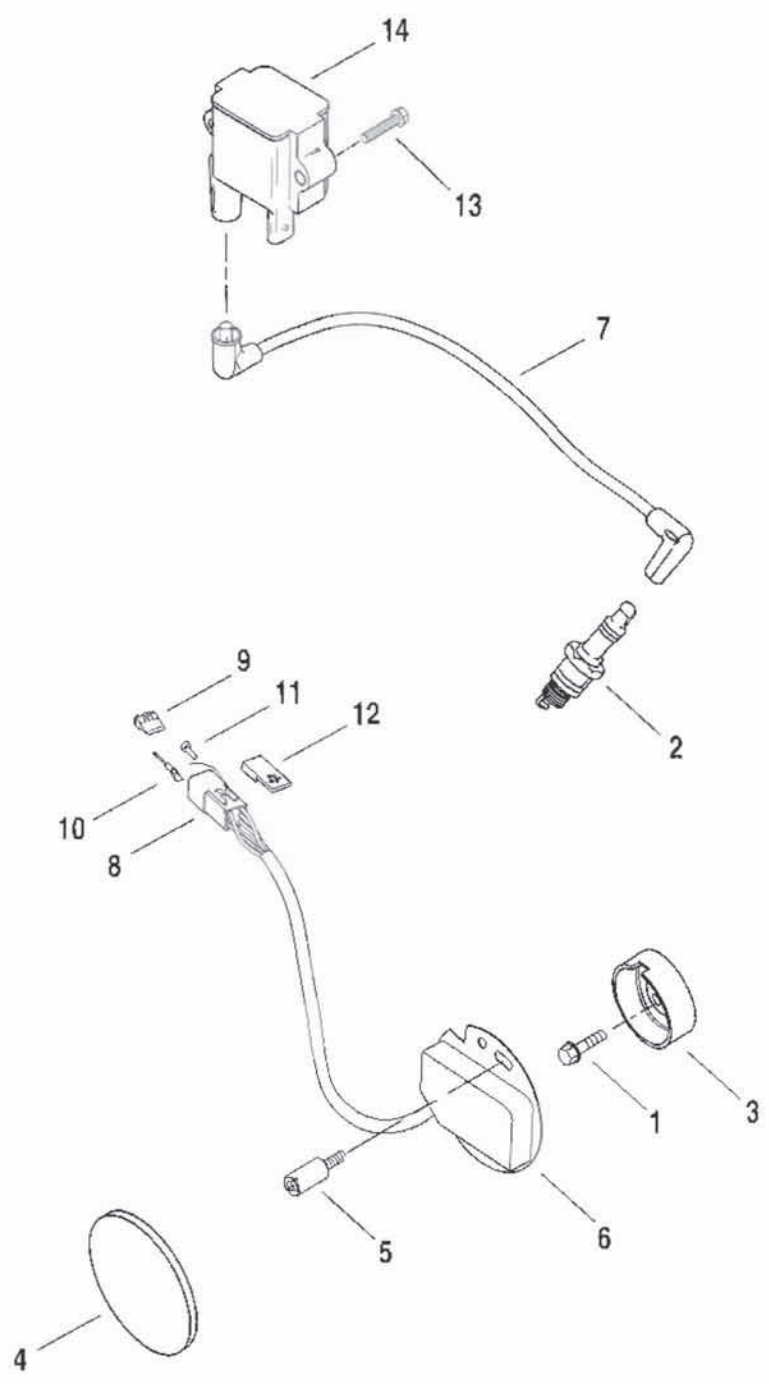
# ALTERNATOR & REGULATOR





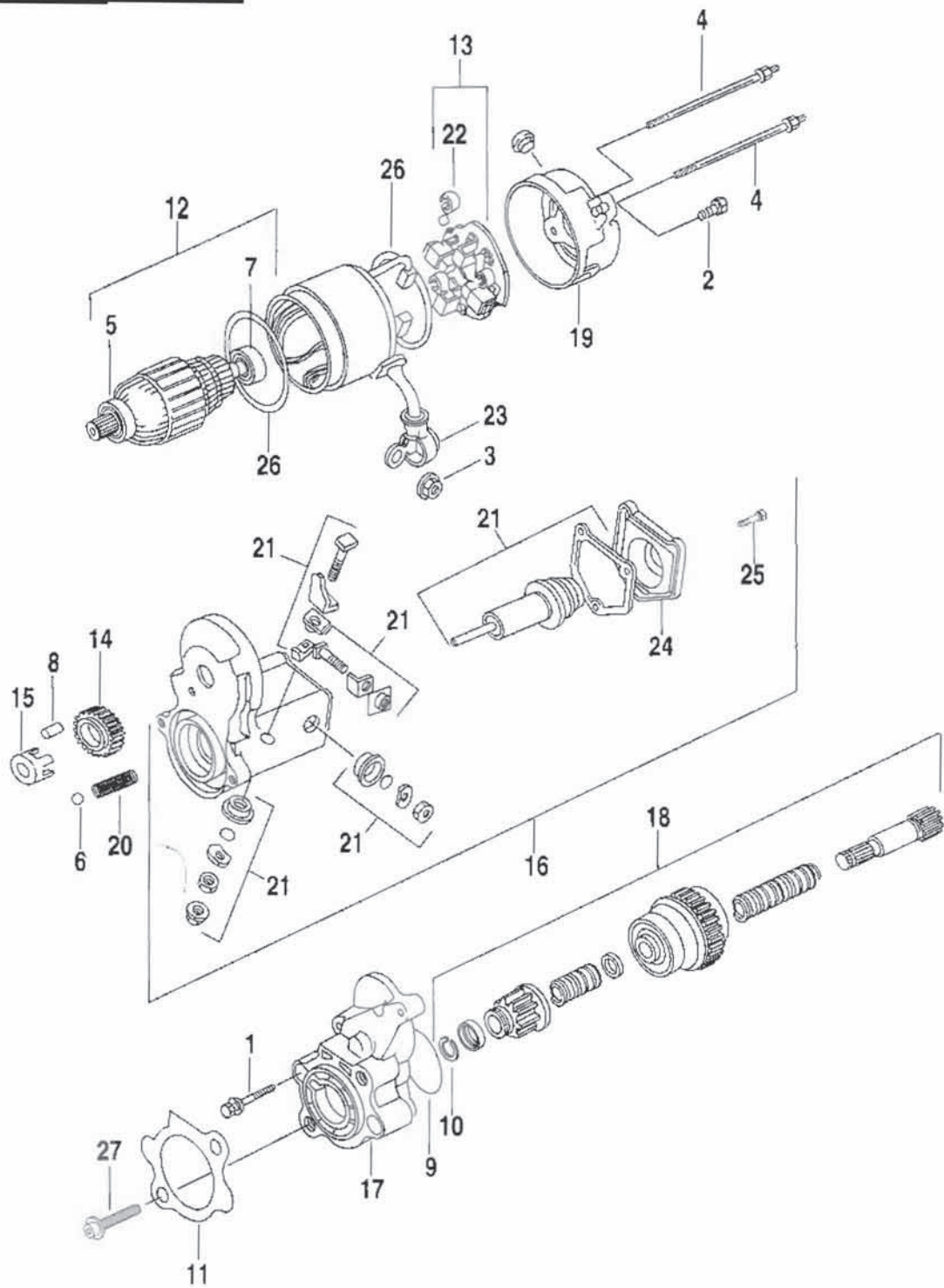
INDEX NO.	PART NO.	DESCRIPTION	MODEL(S)
1	3029	SCREW (4)	KP
2	4751	BOLT (8)	KP
3	29967-89B	STATOR	KP
4	32413-92B	ROTOR SPROCKET ASSEMBLY, w/ 4751	KP
5	AA0412.21CRXZ	SCREW, voltage regulator (2)	KP
6	Y0302.T	REGULATOR, voltage	KP

# ELECTRONIC IGNITION SYSTEM



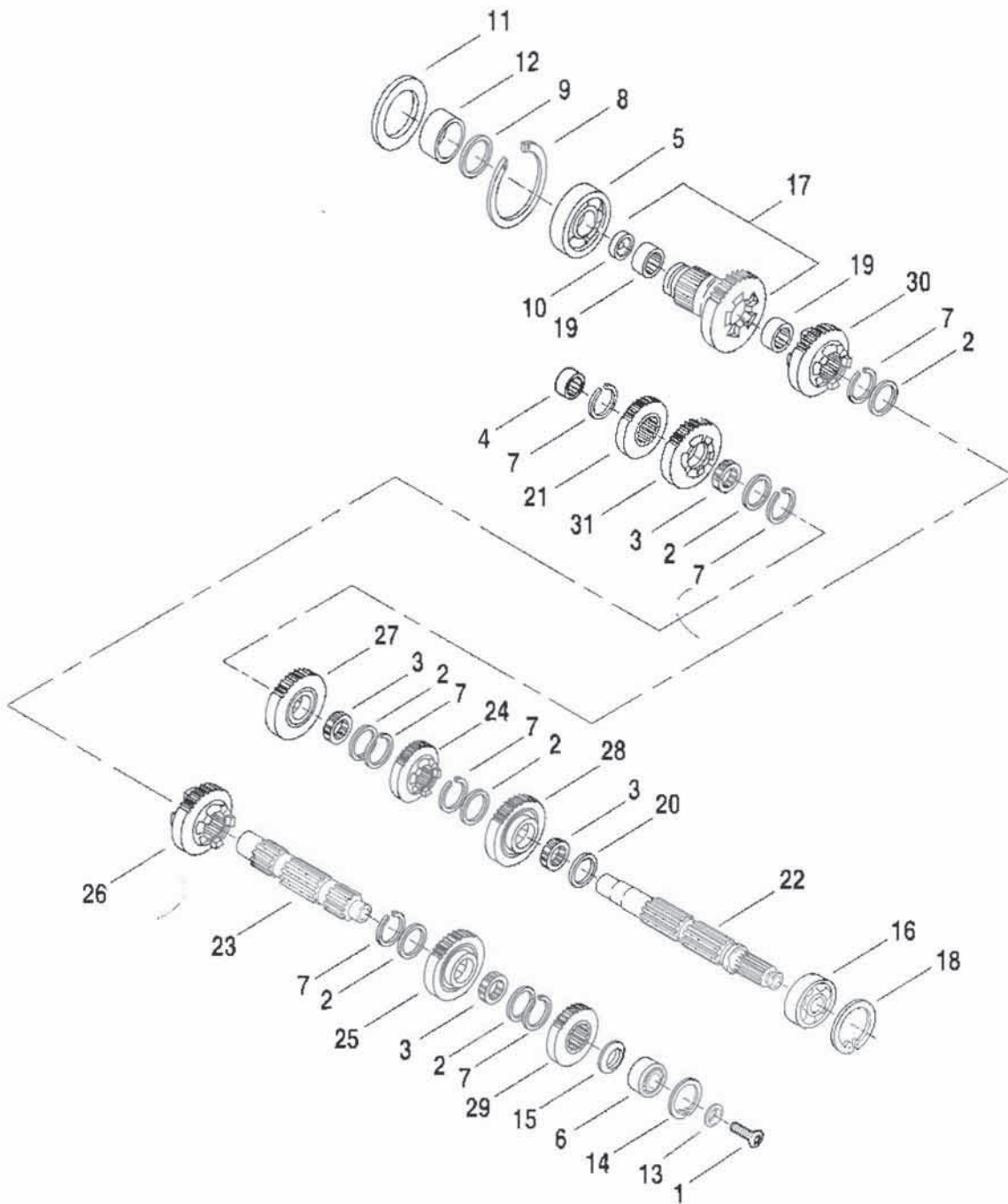
INDEX NO.	PART NO.	DESCRIPTION	MODEL(S)
1	2611C	BOLT, trigger rotor	KP
2	32335-04	SPARK PLUG, 10R12A	KP
3	32340-00Y	TRIGGER ROTOR	KP
4	32341-00YA	COVER, timer - outer	KP
5	32606-82	STUD, timer plate (2)	KP
6	32687-00YA	IGNITION MODULE, w/ integrated sensor	KP
7	70187-82A	CABLE, spark plug	KP
8	72106-94BK	CONNECTOR, 6-way	KP
9	72146-94	SECONDARY LOCK, 6-way	KP
10	72190-94	TERMINAL, pin (5)	KP
11	72195-94	SEAL PIN	KP
12	72199-94	ATTACHMENT CLIP	KP
13	AA0412.21CRXZ	SCREW, ignition coil mounting (2)	KP
14	Y0300.T	IGNITION COIL	KP

# STARTER MOTOR



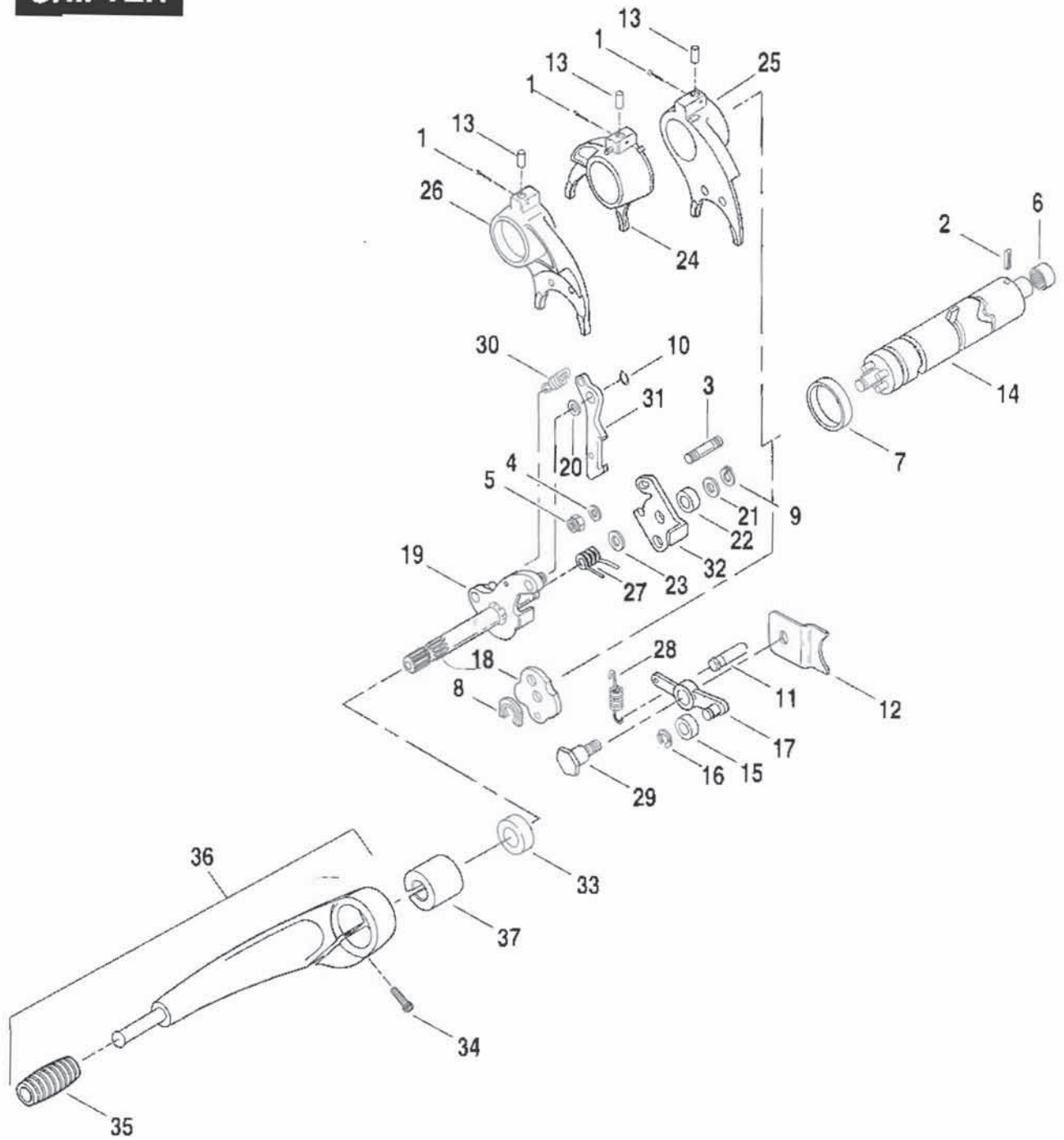
INDEX NO.	PART NO.	DESCRIPTION	MODEL(S)
1	928	BOLT, starter (2)	KP
2	929A	SCREW, w/ o-ring (2)	KP
3	3403	LOCKNUT	KP
4	3559	BOLT, through (2)	KP
5	8871	BALL BEARING	KP
6	8879	BALL	KP
7	8883	BALL BEARING	KP
8	9077	CLUTCH ROLLER (5)	KP
9	11116	O-RING	KP
10	31328-91	RING, snap	KP
11	31488-81B	GASKET, starter motor	KP
12	31515-90	ARMATURE ASSEMBLY	KP
13	31518-90	HOLDER ASSEMBLY, starter brush	KP
14	31525-90	GEAR, idler	KP
15	31530-90	RETAINER, idler	KP
16	31537-98	SWITCH ASSEMBLY, magnetic	KP
17	31390-91E	STARTER MOTOR, complete (black)	KP
18	31556-91B	CLUTCH SUB-ASSEMBLY, w/ 12, 27, & 30	KP
19	31599-91	FRAME, starter end	KP
20	31600-90	SPRING, return	KP
21	31603-91	STARTER SOLENOID REPAIR KIT	KP
22	31661-90	SPRING, starter (4)	KP
23	31662-90	CAP TERMINAL, rubber	KP
24	31688-90	COVER, solenoid	KP
25	31689-90	BOLT, w/ washer (3)	KP
26	31695-90	O-RING, yoke (2)	KP
27	45902-00	SCREW, w/ washer (2)	KP

# TRANSMISSION GEARS



INDEX NO.	PART NO.	DESCRIPTION	MODEL(S)
1	3675	SCREW	KP
2	6003	WASHER (6)	KP
3	8876A	BEARING (4)	KP
4	8977	BEARING, closed end	KP
5	8996A	BEARING, ball	KP
6	8998	BEARING	KP
7	11067	RETAINING RING (7)	KP
8	11161	RETAINING RING	KP
9	11165	QUAD SEAL	KP
10	12030	OIL SEAL	KP
11	12067B	OIL SEAL	KP
12	33344-94	SPACER	KP
13	35020-89	RETAINER, countershaft	KP
14	35021-89	RETAINING RING	KP
15	35022-89A	SPACER	KP
16	35030-89	BEARING	KP
17	35034-94	GEAR ASSEMBLY, fifth-mainshaft, w/ oil seal & needle bearing	KP
18	35038-89	RETAINING RING	KP
19	35051-89	BEARING, needle (2)	KP
20	35063-89	SPACER	KP
21	35633-94	GEAR, fifth-countershaft	KP
22	35640-89	MAINSHAFT	KP
23	35641-89	COUNTERSHAFT	KP
24	35762-89A	GEAR, first-mainshaft	KP
25	35763-89A	GEAR, first-countershaft	KP
26	35771-94	GEAR, third-countershaft	KP
27	35772-94	GEAR, third-mainshaft	KP
28	35773-94	GEAR, fourth-mainshaft	KP
29	35775-94	GEAR, fourth-countershaft	KP
30	35796-00	GEAR, second-mainshaft	KP
31	35797-00	GEAR, second-countershaft	KP

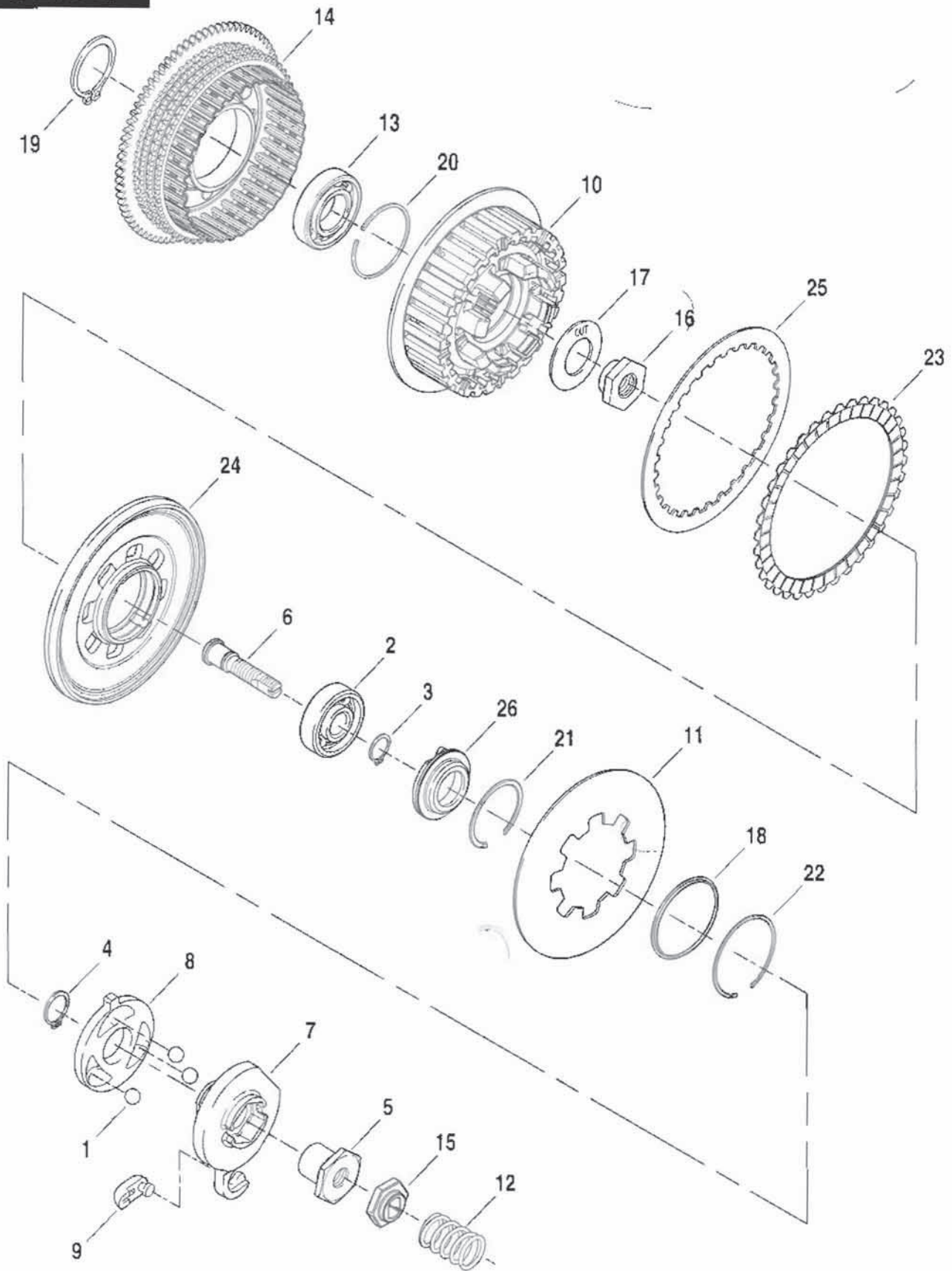
# SHIFTER





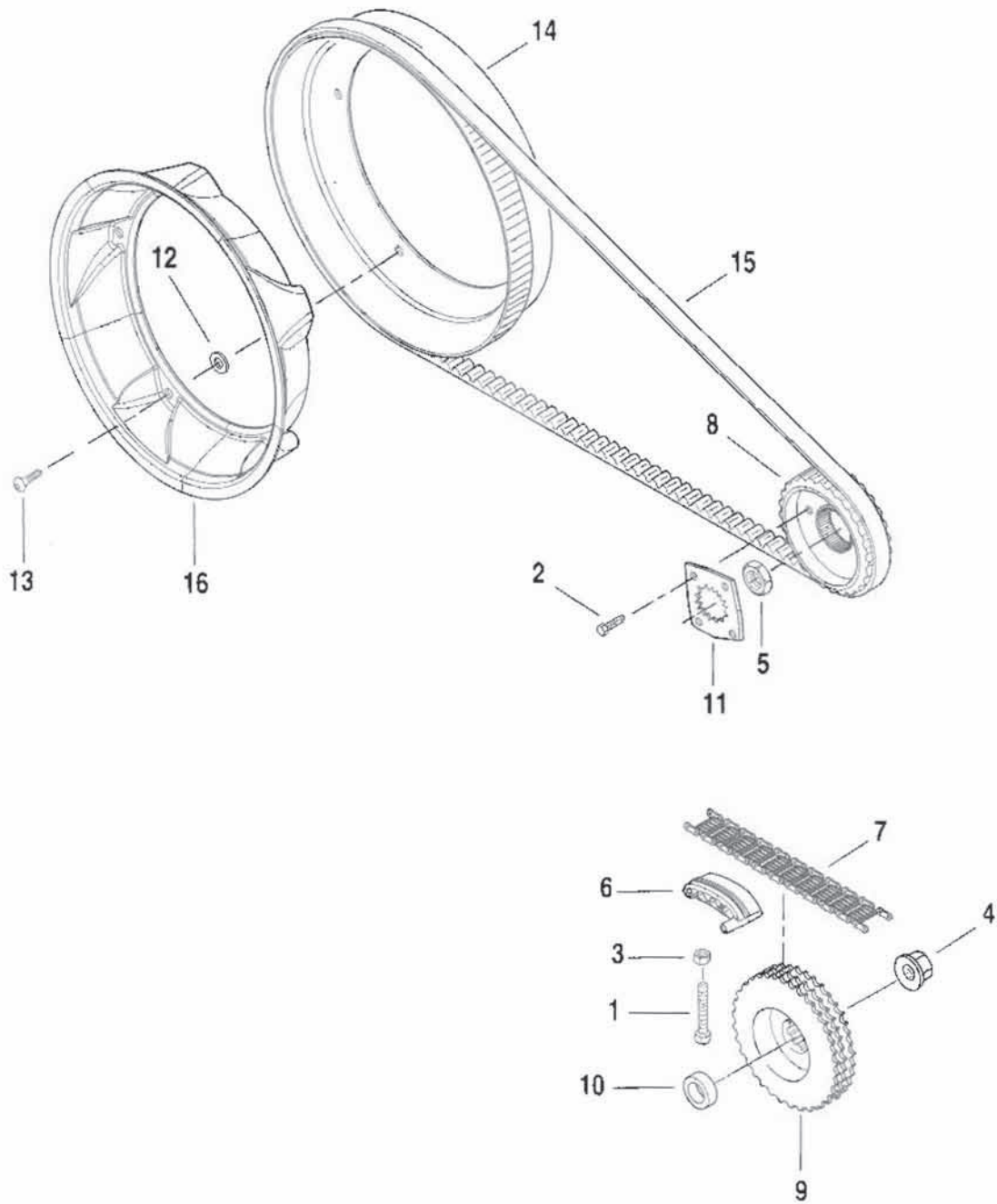
INDEX NO.	PART NO.	DESCRIPTION	MODEL(S)
1	515	COTTER PIN (3)	KP
2	601	ROLL PIN	KP
3	5226B	STUD (2)	KP
4	6099	WASHER, lever (2)	KP
5	7683	LOCKNUT (2)	KP
6	9151	BEARING, closed end	KP
7	9187	BEARING	KP
8	11019	RETAINING RING	KP
9	11031	RETAINING RING	KP
10	11185	RETAINING RING	KP
11	24530-90	PIN, spring	KP
12	33294-00Y	PLATE, shift drum retention	KP
13	33319-90	ROLLER (3)	KP
14	33634-91	SHIFTER DRUM ASSEMBLY, w/ 601	KP
15	33652-90	ROLLER, detent	KP
16	33653-90	RETAINING RING	KP
17	33655-90	DETENT ARM	KP
18	33656-90A	PLATE, detent	KP
19	34015-91	SHIFTER SHAFT ASSEMBLY	KP
20	34073-91	SPACER, pawl	KP
21	34075-89	WASHER	KP
22	34076-89	BUSHING	KP
23	34077-91	WASHER	KP
24	34142-89C	SHIFTER FORK, first & second	KP
25	34144-89C	SHIFTER FORK, third & fifth	KP
26	34147-89C	SHIFTER FORK, fourth	KP
27	34481-91A	SPRING	KP
28	34483-90	SPRING	KP
29	34486-90	SCREW, detent arm	KP
30	34491-91	SPRING	KP
31	34492-91	SHIFTER PAWL	KP
32	34560-91	BASEPLATE	KP
33	37101-84A	OIL SEAL	KP
34	AA0405.2CXZB	SCREW, pinch - shifter pedal	KP
35	N0510.D	SHIFTER PEG RUBBER	KP
	N0549.BA	REPLACEMENT KIT, toe peg	KP
36	N0601.TA	SHIFT LEVER ASSEMBLY	KP
37	T0225.T	SPLINED COLLAR, shifter lever	KP

# CLUTCH



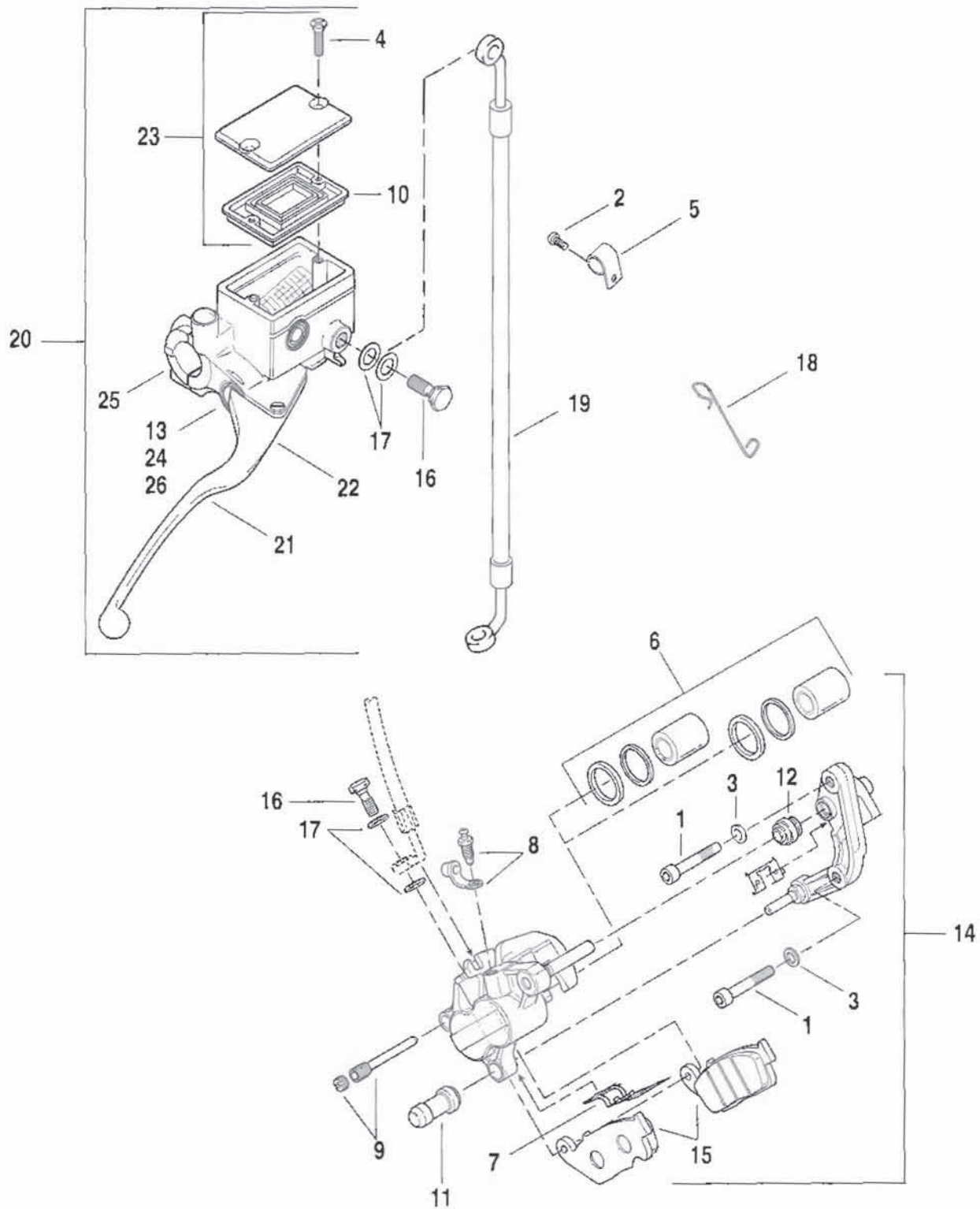
INDEX NO.	PART NO.	DESCRIPTION	MODEL(S)
1	8873	BALL (3)	KP
2	8885	BEARING	KP
3	11046	RETAINING RING	KP
4	11250	RETAINING RING	KP
5	11730A	NUT	KP
6	11765Y	ADJUSTMENT SCREW	KP
7	25409-94B	RAMP, outer	KP
8	25453-87A	RAMP, inner	KP
9	34920-86A	COUPLING, clutch cable	KP
10	36703-00Y	CLUTCH HUB	KP
11	36708-00Y	SPRING, diaphragm	KP
12	36715-94	SPRING, clutch adjustment	KP
13	36799-91	BALL BEARING	KP
14	36800-00Y	CLUTCH SHELL & SPROCKET, w/ ball bearing & retaining ring	KP
15	36802-84B	LOCKPLATE, well type	KP
16	37495-91	NUT, main shaft	KP
17	37870-91	SPRING WASHER	KP
18	37872-90	SEAT, spring - inner	KP
19	37904-90	RETAINING RING	KP
20	37905-00	RETAINING RING	KP
21	37908-90	RETAINING RING	KP
22	37909-90	RETAINING RING	KP
23	37911-90	FRICITION PLATE, paper (5)	KP
24	37912-91	PRESSURE PLATE	KP
25	37913-90	STEEL PLATE (5)	KP
26	37918-91	RELEASE PLATE	KP

# BELTS & SPROCKETS



INDEX NO.	PART NO.	DESCRIPTION	MODEL(S)
1	3301Y	BOLT, chain adjustment	KP
2	3594	SCREW (3)	KP
3	7804	LOCKNUT, chain adjustment	KP
4	7839	NUT, sprocket	KP
5	35211-91B	NUT, transmission sprocket	KP
6	39922-00Y	SHOE, chain adjustment	KP
7	40005-57B	PRIMARY CHAIN	KP
8	40218-00Y	SPROCKET, drive belt	KP
9	40235-89A	ENGINE SPROCKET, 35T	KP
10	40240-89	SPACER, sprocket	KP
11	40251-92A	LOCK PLATE	KP
12	BA0511.2Z	WASHER (5)	KP
13	CA0004.T	BOLT (5)	KP
14	G0420.01A7	SPROCKET KIT, rear wheel - 80 T (belt) (black)	KP
15	G0500.01A7	BELT, drive - 139 T	KP
16	G0556 01A7	SPROCKET COVER, rear	KP

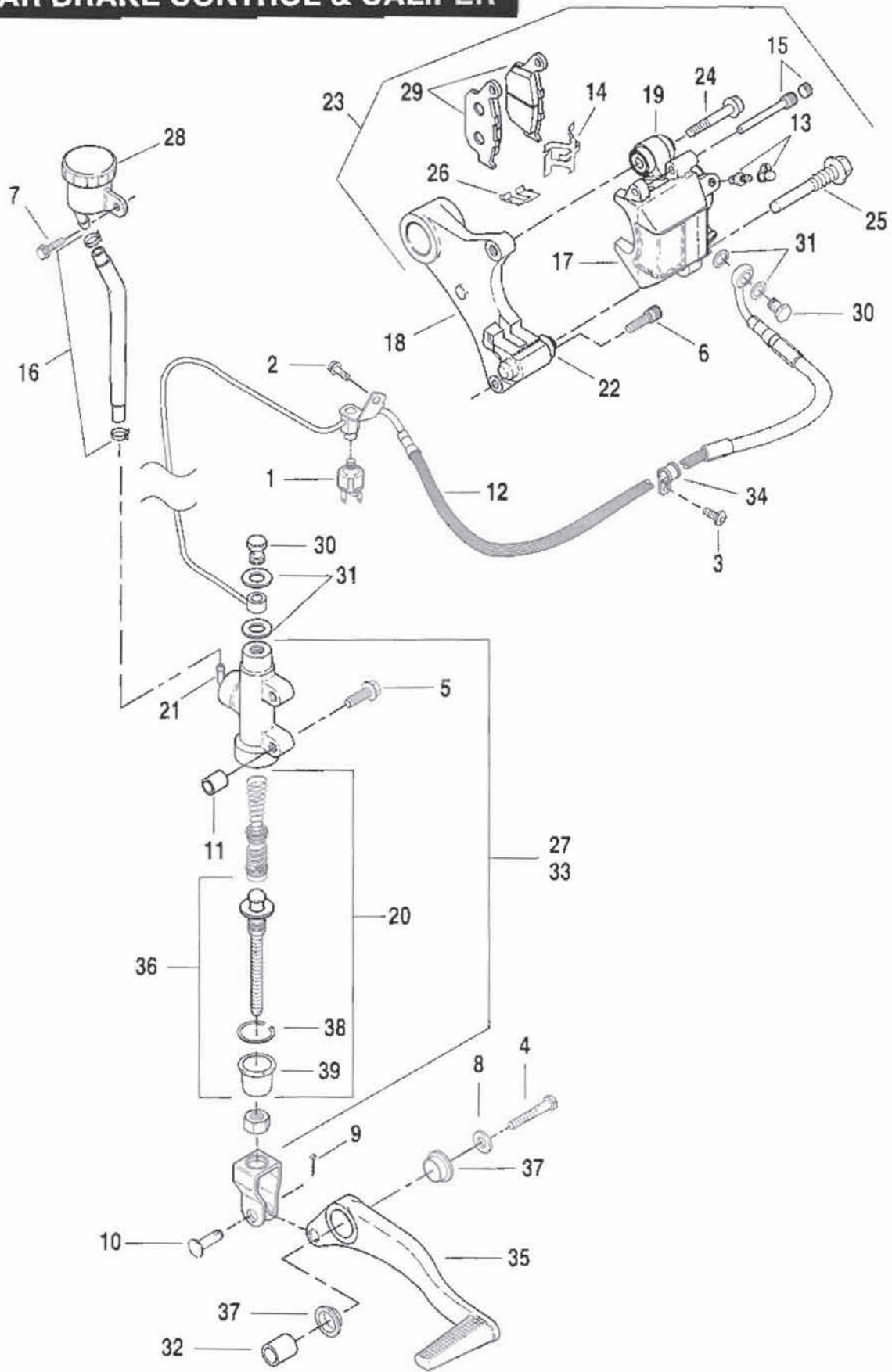
# FRONT BRAKE CONTROL & CALIPER



## FRONT BRAKE CONTROL &amp; CALIPER

INDEX NO.	PART NO.	DESCRIPTION	MODEL(S)
1	A0845.1CXZ	SCREW, lower caliper mount	KP
	A0855.1CXZ	BOLT, upper caliper mount	KP
2	AA0404.21CXDZ	SCREW	KP
3	BA0511.2Z	WASHER, caliper mounting bolts - upper (2), lower (1)	KP
4	CA0200.R	SCREW (2)	KP
5	C0902.B	CLAMP	KP
6	H0020.T	PISTON SET, front master cylinder, w/ piston seals & dust seals	KP
7	H0021.T	RETAINER CLIP, brake pads, front	KP
8	H0022.F	BLEEDER FITTING, w/ cap	KP
9	H0023.F	MOUNTING PIN, w/ plug	KP
10	H0035.9	DIAPHRAGM COVER, front master cylinder	KP
11	H0052.T	BOOT, flange bolt	KP
12	H0053.T	BOOT, bracket pin	KP
13	H0055.9	BOOT, brake piston	KP
14	H0110.T	CALIPER ASSEMBLY, front - does not include 1, 3, 16 & 17	KP
15	H0300.T	BRAKE PAD SET	KP
16	H0405.9B	BANJO BOLT, master cylinder (2)	KP
17	H0412.01A0	GASKET, master cylinder (4)	KP
18	H0417.T	WIRE FORM, front brake line	KP
19	H0531.TB	BRAKE LINE ASSEMBLY, front	KP
20	N0200.T	MASTER CYLINDER ASSEMBLY, front w/ lever, bracket & switch kit	KP
21	N1202.T	LEVER, front brake control	KP
22	N0203.9	PIVOT BOLT, w/ nut	KP
23	N0210.R	COVER, master cylinder, w/ gasket & (2) screws	KP
24	N0220.T	PISTON SET	KP
25	N0259.9	BRACKET SET, w/ bolts	KP
26	N0516.T	CIRCLIP, brake piston	KP
	Y0810.9	SWITCH KIT (not illustrated)	KP

# REAR BRAKE CONTROL & CALIPER

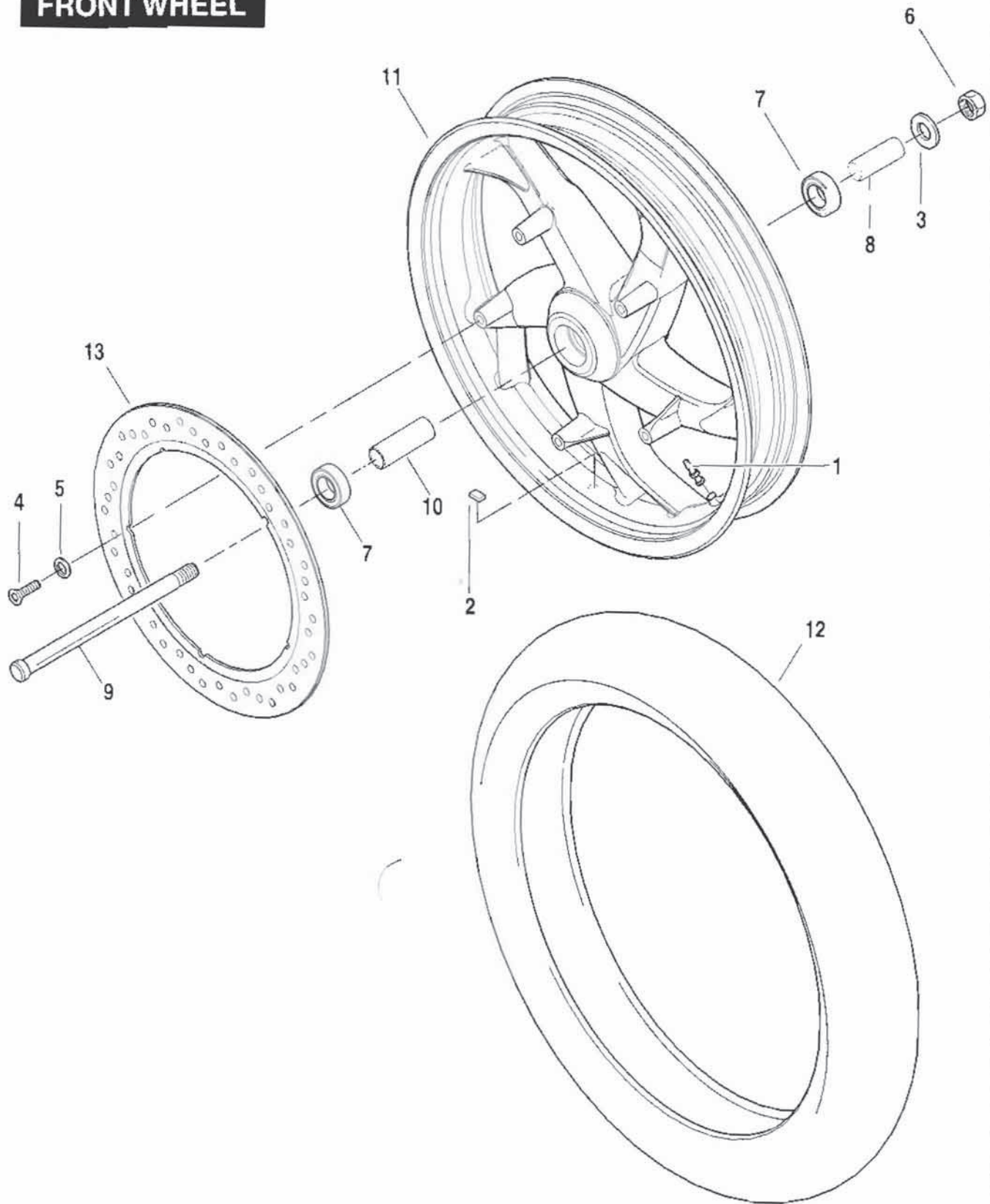




## REAR BRAKE CONTROL &amp; CALIPER

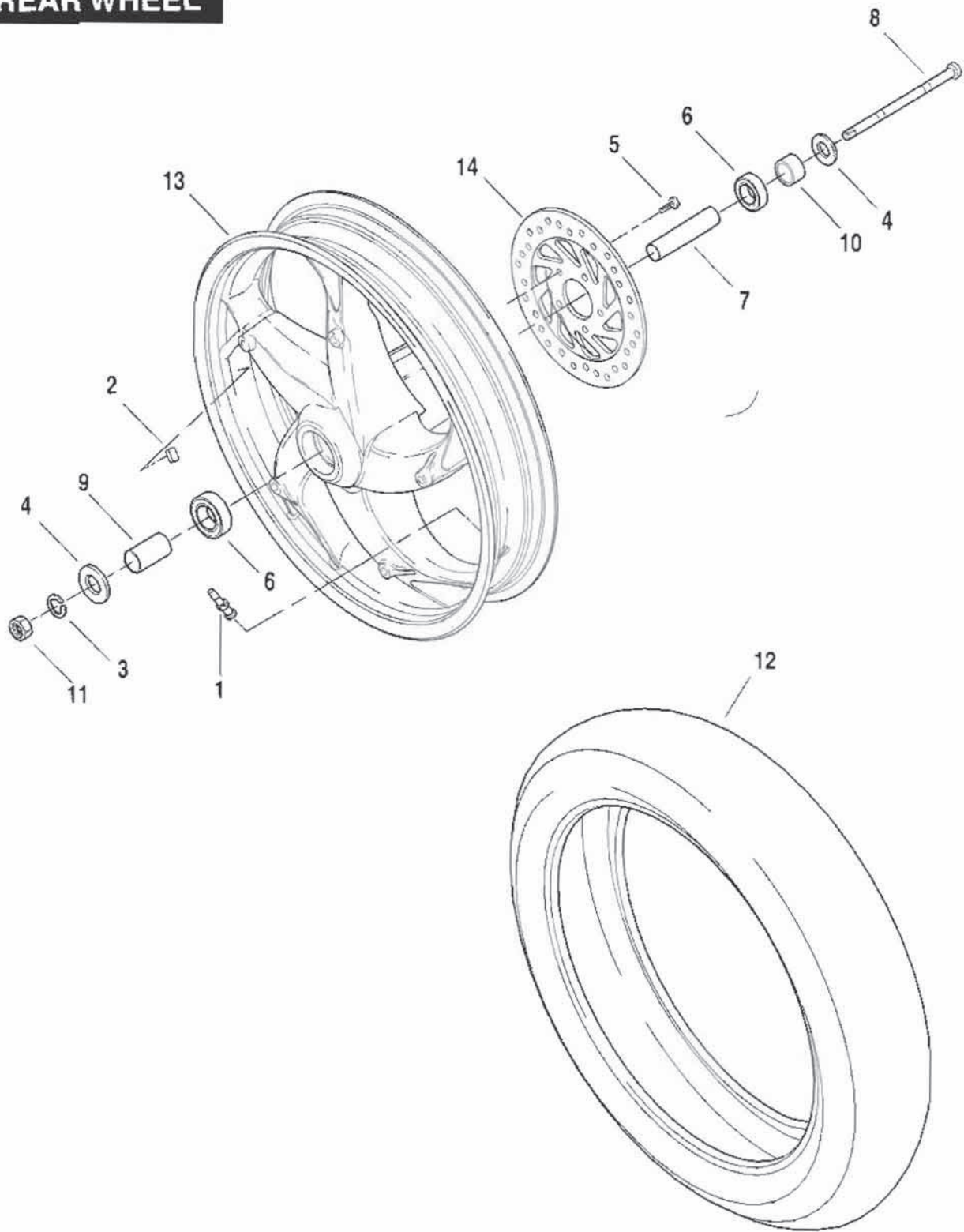
INDEX NO.	PART NO.	DESCRIPTION	MODEL(S)
1	72016-73C	SWITCH, rear brake light	KP
2	AA0404.21CRZ	SCREW	KP
3	AA0408.11CDBL	SCREW	KP
4	AA0408.1CLAZ	SCREW	KP
5	AA0412.21CRXZ	SCREW (2)	KP
6	AA0608.2CZ	SCREW	KP
7	AN1005.21FRZ	SCREW	KP
8	BA0511.2Z	WASHER	KP
9	C0148.T	COTTER PIN	KP
10	C0232.TA	CLEVIS PIN	KP
11	C0507.T	SPACER (2)	KP
12	H0522.TD	BRAKE LINE ASSEMBLY, rear, w/ brake light switch	KP
13	H0022.F	BLEEDER FITTING, w/ cap	KP
14	H0024.F	SPRING, brake pads	KP
15	H0026.F	MOUNTING PIN, w/ plug	KP
16	H0027.TA	HOSE KIT, w/ clamps	KP
17	H0030.T	PISTON SET, caliper, w/ piston, piston seal & dust seal	KP
18	H0033.T	BRACKET, complete - rear	KP
19	H0034.T	BOOT SLEEVE SET, flange bolt	KP
	H0035.F	DIAPHRAM, rear master cylinder reservoir (not illustrated)	KP
20	H0040.F	PISTON SET	KP
21	H0041.F	CONNECTOR SET, w/ connector, circlip, & o-ring	KP
22	H0053.T	BOOT, bracket pin	KP
23	H0102.TA	CALIPER ASSEMBLY, rear	KP
24	H0105.F	BOLT, flange	KP
25	H0106.F	PIN BOLT, rear caliper	KP
26	H0107.F	RETAINER, rear caliper (not illustrated)	KP
27	H0205.TC	MASTER CYLINDER ASSEMBLY, rear brake, w/ reservoir & hose kit	KP
28	H0206.T	RESERVOIR TANK ASSEMBLY SET	KP
29	H0301.T	BRAKE PAD SET, rear	KP
30	H0405.9B	BANJO BOLT, master cylinder (2)	KP
31	H0412.01A0	GASKET, master cylinder (4)	KP
32	H0503.T	SLEEVE	KP
33	H9205.T	MASTER CYLINDER ASSEMBLY, rear brake	KP
34	N0110.8	CLAMP, brake line	KP
35	N0501.TA	BRAKE PEDAL	KP
36	N0505.T	ROD ASSEMBLY SET	KP
37	N0513.T	PLASTIC BUSHING (2)	KP
38	N0516.T	CIRCLIP, brake piston	KP
39	N0517.T	BOOT, brake piston	KP

# FRONT WHEEL



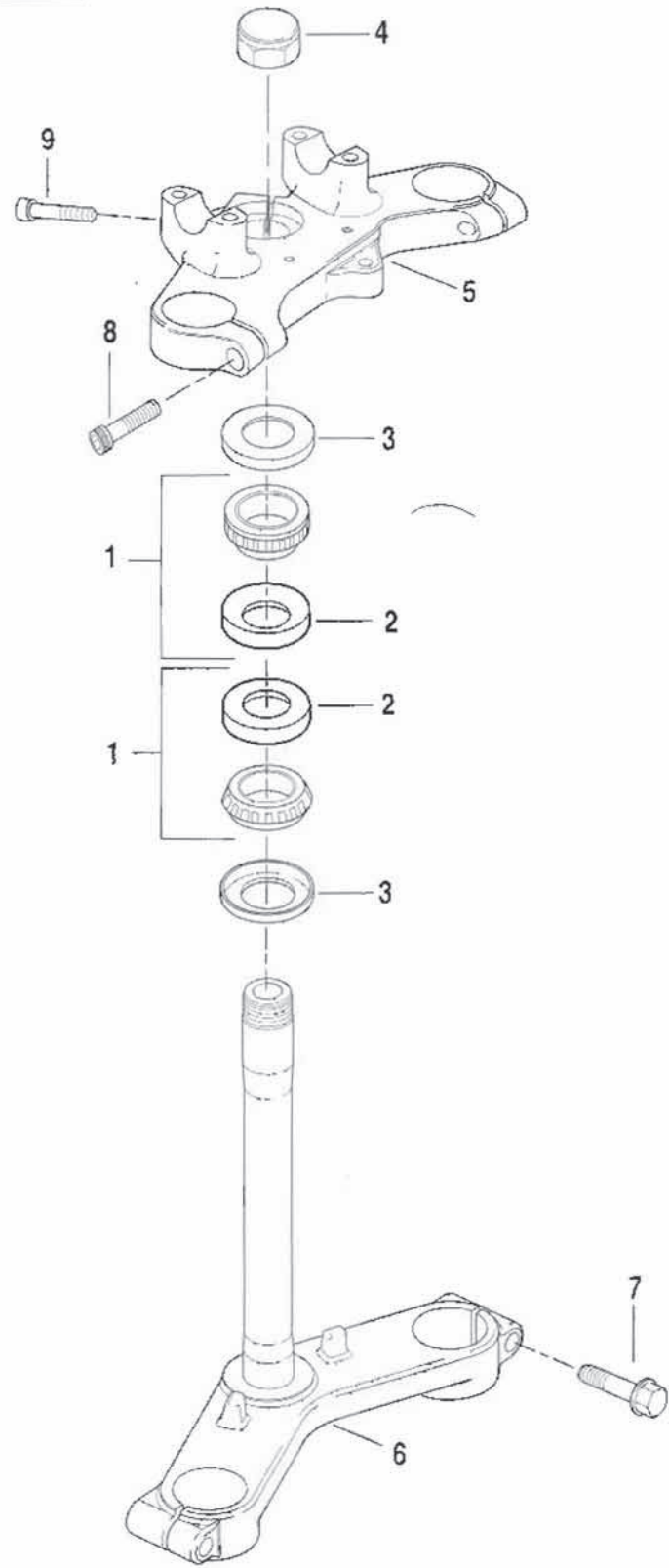
INDEX NO.	PART NO.	DESCRIPTION	MODEL(S)
1	43157-83A	VALVE STEM	KP
2	43692-94Y	WHEEL WEIGHT (as required)	KP
3	BA1120.2Z	WASHER, axle spacer	KP
4	CA0005.T	BOLT, front brake rotor (5)	KP
5	CB0004.T	WASHER, front brake rotor mounting (5)	KP
6	D1600.1FXZ	NUT, front axle	KP
7	E0001.T	BEARING ASSEMBLY (2)	KP
8	G0113.01A7	AXLE SPACER, front left	KP
9	G0120.T	AXLE, front	KP
10	G0125.T	AXLE SPACER, front center	KP
11	G1110.TWAX	WHEEL ASSEMBLY, complete - front, w/ bearings, inner spacer & valve stem (stardust silver)	KP
12	G0150.T	TIRE, front	KP
13	H1201.T	BRAKE ROTOR KIT, front, w/ mounting bolts & washers	KP

# REAR WHEEL



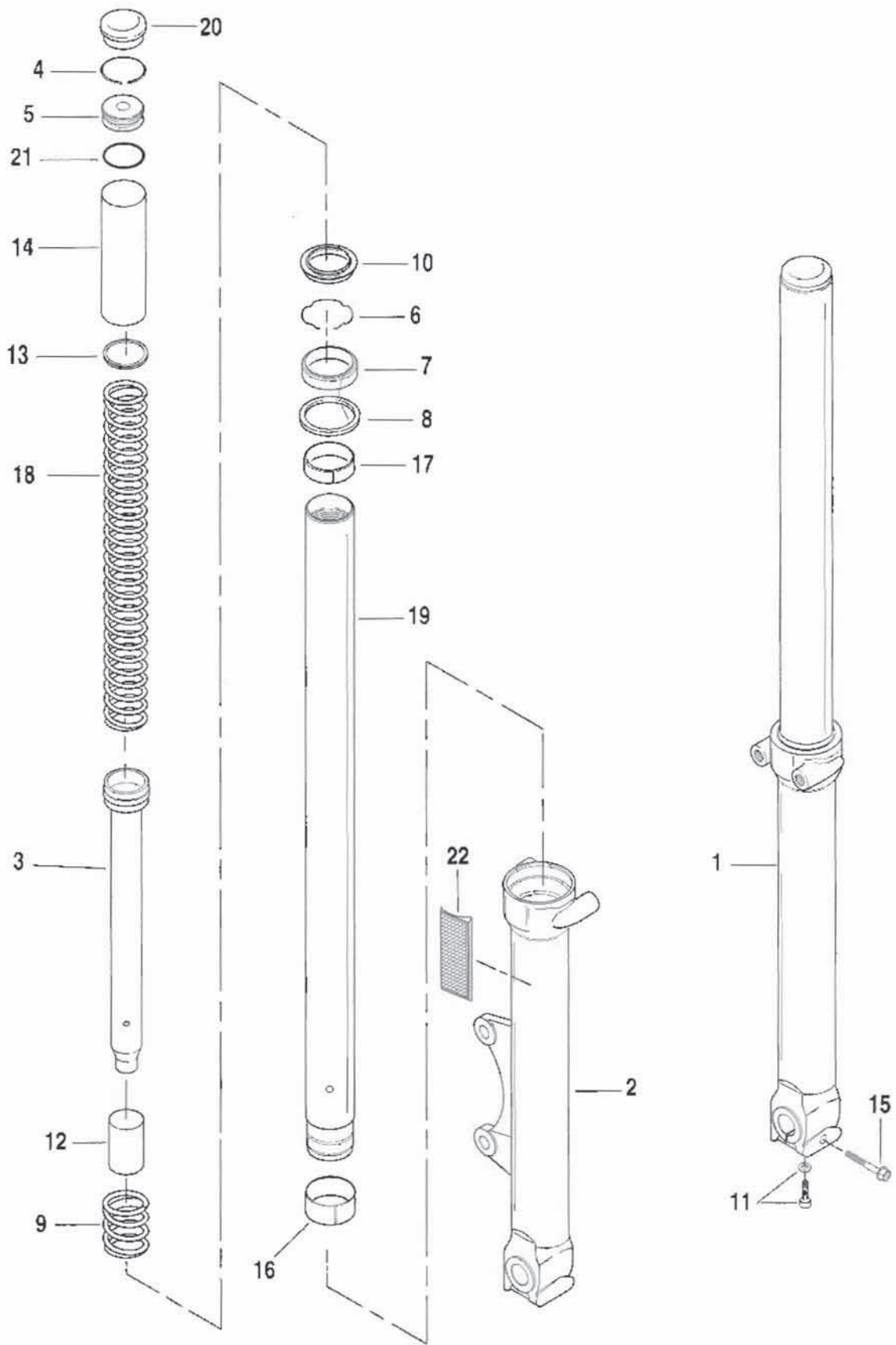
INDEX NO.	PART NO.	DESCRIPTION	MODEL(S)
1	43157-83A	VALVE STEM	KP
2	43692-94Y	WHEEL WEIGHTS (as required)	KP
3	B2033.8Z	WASHER, rear axle	KP
4	B2037.1Z	WASHER, rear axle (2)	KP
5	CA0005.T	BOLT, rear brake rotor (5)	KP
6	E6204	WHEEL BEARINGS (2)	KP
7	G0311.T	AXLE SPACER, rear center	KP
8	G0321.T	AXLE, rear	KP
9	G0323.T	SPACER, rear axle - right hand	KP
10	G0324.T	SPACER, rear axle - left hand	KP
11	G0327.T	NUT, rear axle	KP
12	G0350.T	TIRE, rear	KP
13	G1309.TWAX	WHEEL ASSEMBLY, complete - rear, w/ bearings, center spacer & valve stem (stardust silver)	KP
14	H0150.T	BRAKE ROTOR, rear	KP

# STEERING HEAD



INDEX NO.	PART NO.	DESCRIPTION	MODEL(S)
1	48300-60	ROLLER BEARING, w/ cup (2)	KP
2	48315-60	BEARING CUP (2)	KP
3	48361-80	DUST SHIELD (2)	KP
4	J0101.T	NUT	KP
5	J0105.T	TRIPLE CLAMP, upper	KP
6	J0106.T	TRIPLE CLAMP ASSEMBLY lower - w/ stem	KP
7	J9135.T	BOLT (2)	KP
8	J9136.T	SCREW (2)	KP
9	J9137.T	SCREW	KP

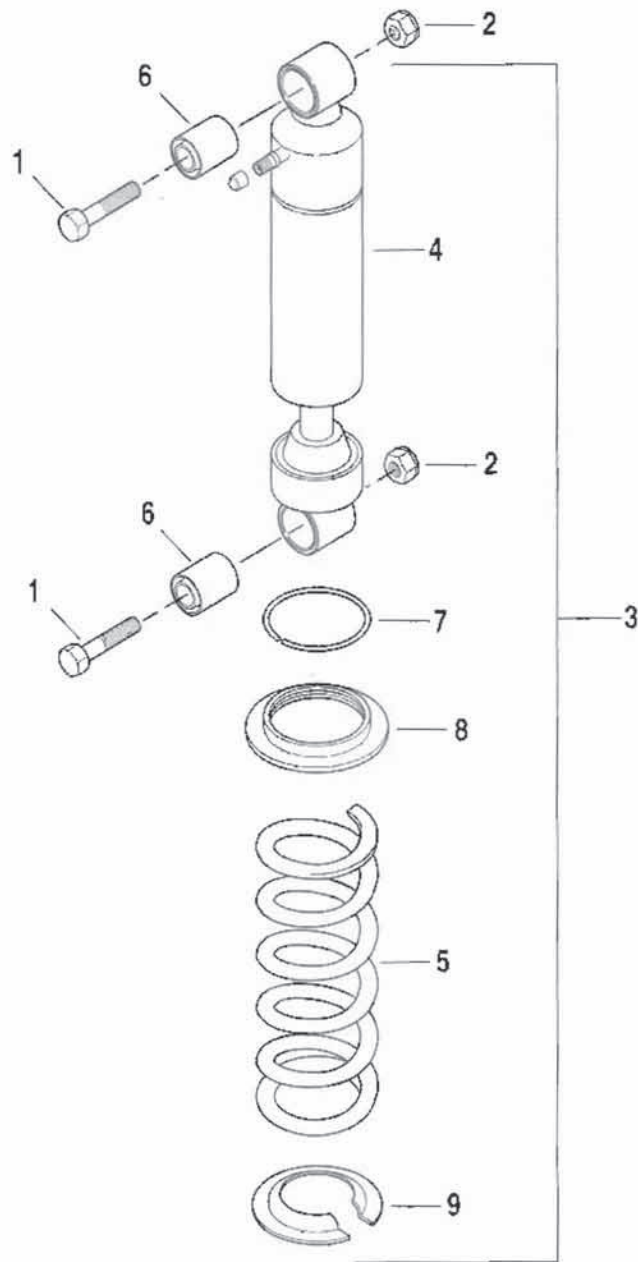
# FRONT FORK





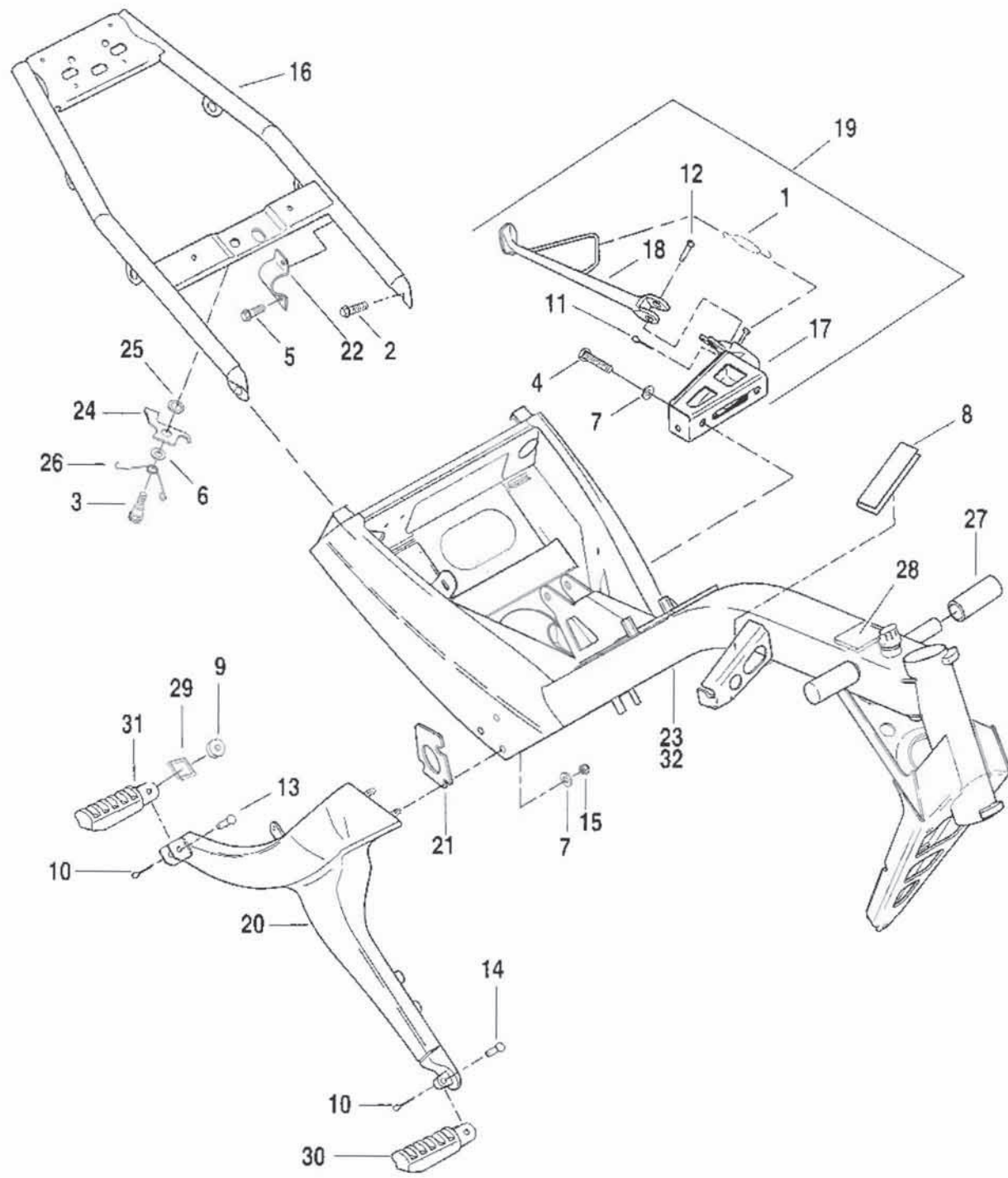
INDEX NO.	PART NO.	DESCRIPTION	MODEL(S)
1	J0120.TL	FRONT FORK ASSEMBLY, left	KP
	J0120.TR	FRONT FORK ASSEMBLY, right	KP
2	J8121.T	SLIDER ASSEMBLY, right, w/ axle spacer	KP
	J8122.T	SLIDER ASSEMBLY, left	KP
3	J8123.T	DAMPER ASSEMBLY, w/ piston rings	KP
4	J8124.T	STOPPER RING (2)	KP
5	J8125.T	SPRING SEAT B (2)	KP
6	J8126.T	OIL SEAL STOPPER RING (2)	KP
7	J8127.T	OIL SEAL (2)	KP
8	J8128.T	BACK-UP RING (2)	KP
9	J8129.T	REBOUND SPRING (2)	KP
10	J8130.T	DUST SEAL (2)	KP
11	J8132.T	BOLT, center, w/ washer (2)	KP
12	J8133.T	LOCK PIECE (2)	KP
13	J8134.T	SPRING JOINT, lower (2)	KP
14	J8135.T	SPRING COLLAR (2)	KP
15	J8136.T	BOLT	KP
16	J8138.T	SLIDE BUSHING (2)	KP
17	J8140.T	GUIDE BUSHING (2)	KP
18	J8160.T	SPRING (2)	KP
19	J9128.T	SLIDER TUBE (2)	KP
20	J9146.T	SLIDER TUBE CAP (2)	KP
21	J9147.T	O-RING, damper (2)	KP
22	M0129.T	REFLECTOR, amber (2)	KP

# REAR SHOCK ABSORBER



INDEX NO.	PART NO.	DESCRIPTION	MODEL(S)
1	A1050.1CZ	BOLT (2)	KP
2	D1000.2CZ	LOCKNUT (2)	KP
3	K0410.T	SHOCK ABSORBER ASSEMBLY, rear - does not include 1 & 2	KP
4	K9114.T	DAMPER COMPONENT	KP
5	K9115.T	SPRING	KP
6	K9116.T	DAMPER BUSHING (2)	KP
7	K9117.T	STOPPER RING	KP
8	K9118.T	SPRING SEAT	KP
9	K9119.T	SPRING SEAT STOPPER	KP

# FRAME

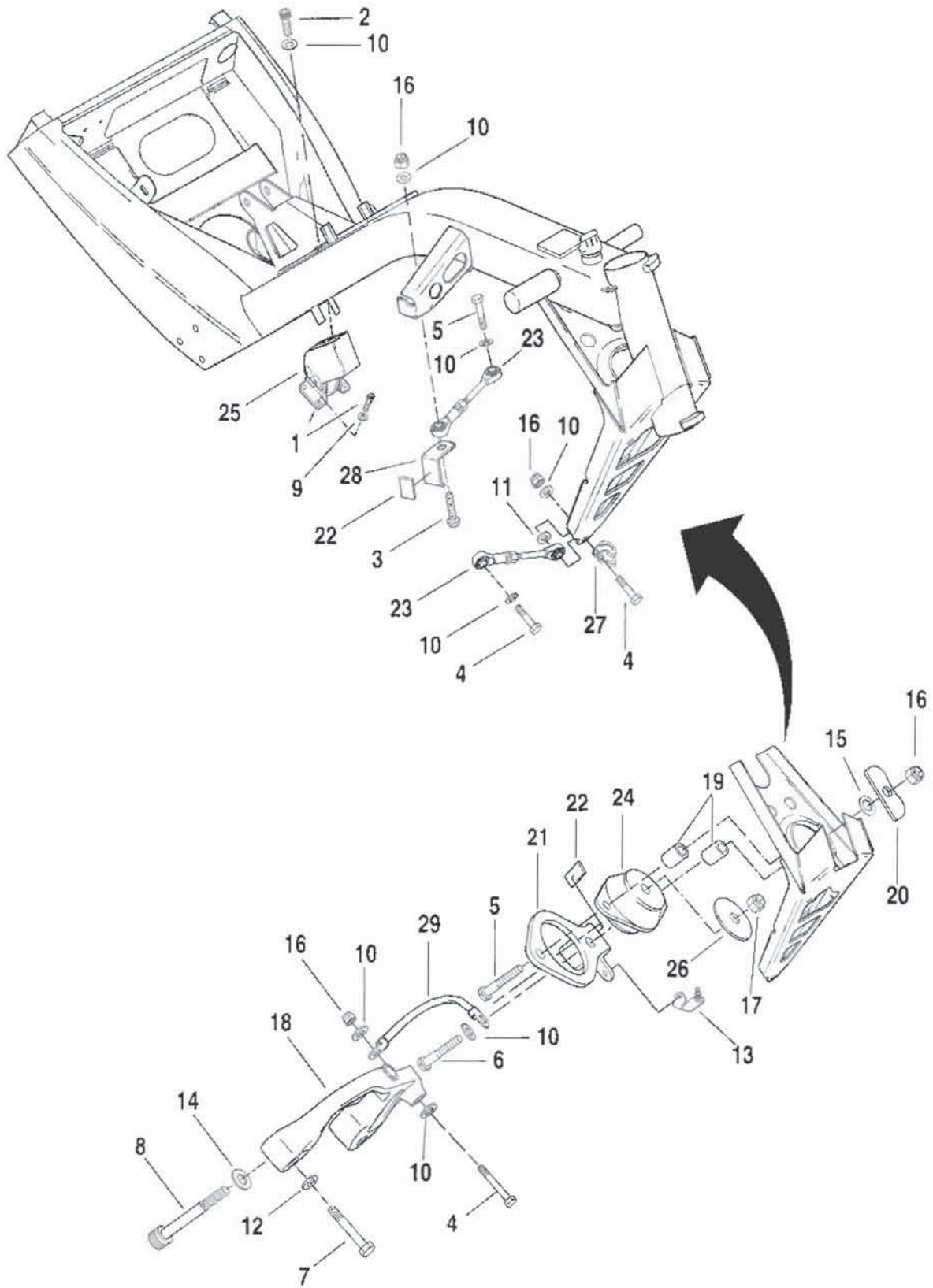


INDEX NO.	PART NO.	DESCRIPTION	MODEL(S)
	48345-60	BEARING (not illustrated)	KP
1	50005-85A	SPRING, sidestand	KP
2	AA0406.21CRZ	SCREW (2)	KP
3	AA0502.20CXZB	SCREW	KP
4	AA0610.1CXZ	BOLT (2)	KP
5	AN1004.21FRZ	SCREW (4)	KP
6	BA0409.1Z	WASHER	KP
7	BA0613.2Z	WASHER (8)	KP
8	C0143.T	PAD, wear	KP
9	C0147.T	SPACER, rear footpeg (2)	KP
10	C0148.T	COTTER PIN, footpeg retaining (4)	KP
11	C0158.TA	COTTER PIN, sidestand	KP
12	C0159.TA	PIVOT PIN, sidestand	KP
13	C0234.TA	CLEVIS PIN, rear footpeg (2)	KP
14	C0235.TA	CLEVIS PIN, front footpeg (2)	KP
15	DA0600.13CZ	LOCKNUT (6)	KP
16	L0106.TA	FRAME ASSEMBLY, rear	KP
17	L0165.TA	SIDESTAND MOUNTING BLOCK ASSEMBLY	KP
18	L0184.TA	SIDESTAND LEG ASSEMBLY	KP
19	L0194.TA	SIDESTAND ASSEMBLY	KP
20	L2127.TA	FOOTREST SUPPORT ASSEMBLY, right hand	KP
	L2132.TA	FOOTREST SUPPORT ASSEMBLY, left hand	KP
21	L2148.T	SPACER (2)	KP
22	L2149.T	MOUNTING BRACKET, rear sub frame (2)	KP
23	L2500.02A7A	FRAME ASSEMBLY KIT, front, w/ bearing races & label(s)(painted titanium) (DOMESTIC & CALIFORNIA)	KP
24	M0080.T	LEVER, seat latch	KP
25	M0082.9	BUSHING	KP
26	M0083.9	SPRING, seat latch	KP
27	M0332.TA	COVER, fuel tank mounting (2)	KP
28	M0333.T	PAD, rubber (2)	KP
29	N0405.T	INDEX PLATE, rear footpeg (2)	KP
30	N0502.T	FOOTPEG ASSEMBLY, front (2)	KP
31	N0503.T	FOOTPEG ASSEMBLY, rear (2)	KP

## INTERNATIONAL MODELS ONLY

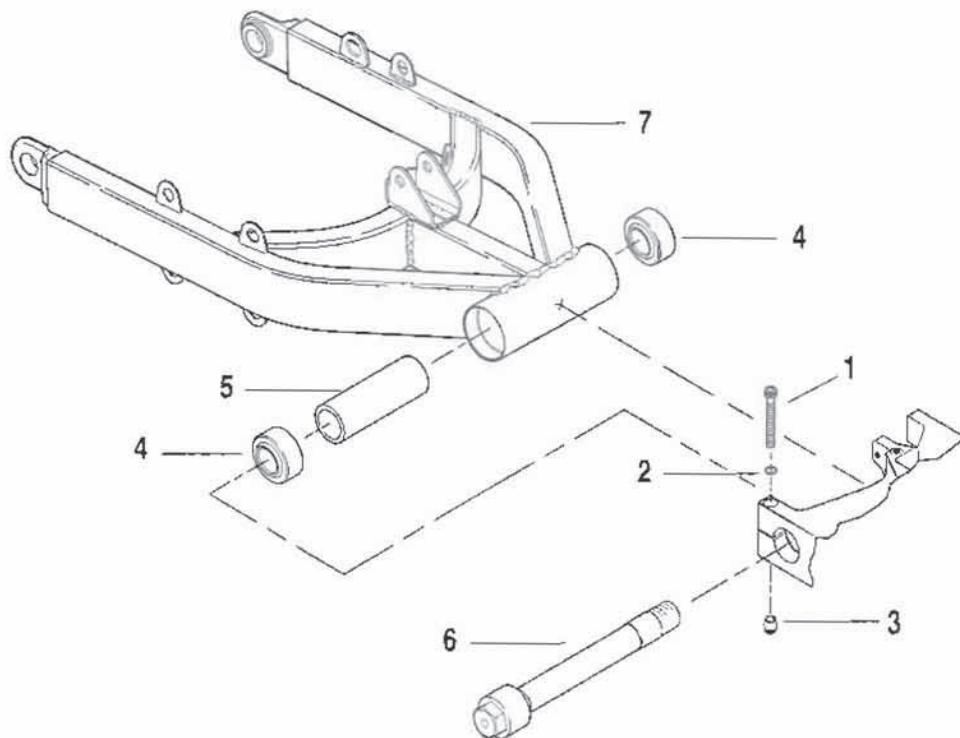
32	L2501.02A7A	FRAME ASSEMBLY KIT, front, w/ bearing races & label(s)(painted titanium) (CANADA)	KP
----	-------------	---	----

# ENGINE MOUNTS



INDEX NO.	PART NO.	DESCRIPTION	MODEL(S)
1	AA0507.2CXZ	SCREW (4)	KP
2	AA0609.2CXZ	SCREW (2)	KP
3	AA0612.1CZ	BOLT	KP
4	AA0614.1CXAZ	BOLT (4)	KP
5	AA0616.1CZ	BOLT	KP
6	AA0618.1CZ	BOLT	KP
7	AA0718.1CXZ	BOLT (2)	KP
8	AA0726.2CZ	SCREW	KP
9	BA0511.2Z	WASHER (4)	KP
10	BA0613.2Z	WASHER (8)	KP
11	BA0613.3Z	WASHER	KP
12	BA0714.3Z	WASHER (2)	KP
13	C0144.T	CLAMP, cable, w/ fastener	KP
14	CB0001.T	SPACER	KP
15	CB0003.T	LOCKWASHER, internal tooth	KP
16	DA0600.2CZ	LOCKNUT (4)	KP
17	DA0700.13CZ	LOCKNUT	KP
18	L0149.T	BRACKET, front isolator	KP
19	L0150.T	STANDOFF (2)	KP
20	L0151.T	REINFORCING PLATE (2)	KP
21	L0159.TA	BACKING PLATE	KP
22	L0333.L	PAD, WEAR (2)	KP
23	L0500.T	TIE BAR ASSEMBLY (2)	KP
24	L0501.T	ISOLATOR, front	KP
25	L0502.T	ISOLATOR, rear	KP
26	L0503.T	SNUBBER, front isolator	KP
27	N0110.8	CLAMP, cable	KP
28	P0044.T	BRACKET, fuel tank support	KP
29	Y0307.TA	GROUND STRAP	KP

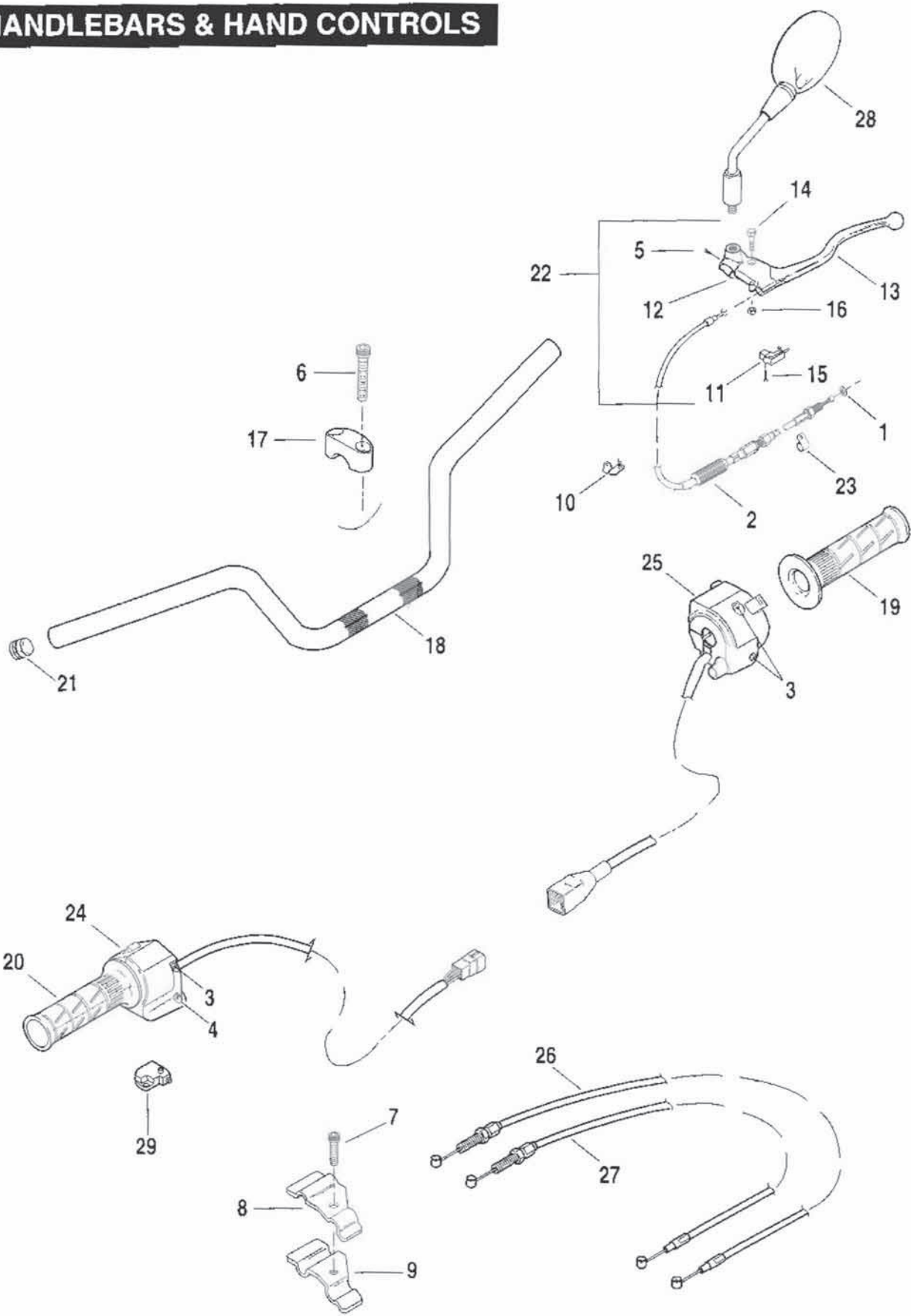
# SWINGARM





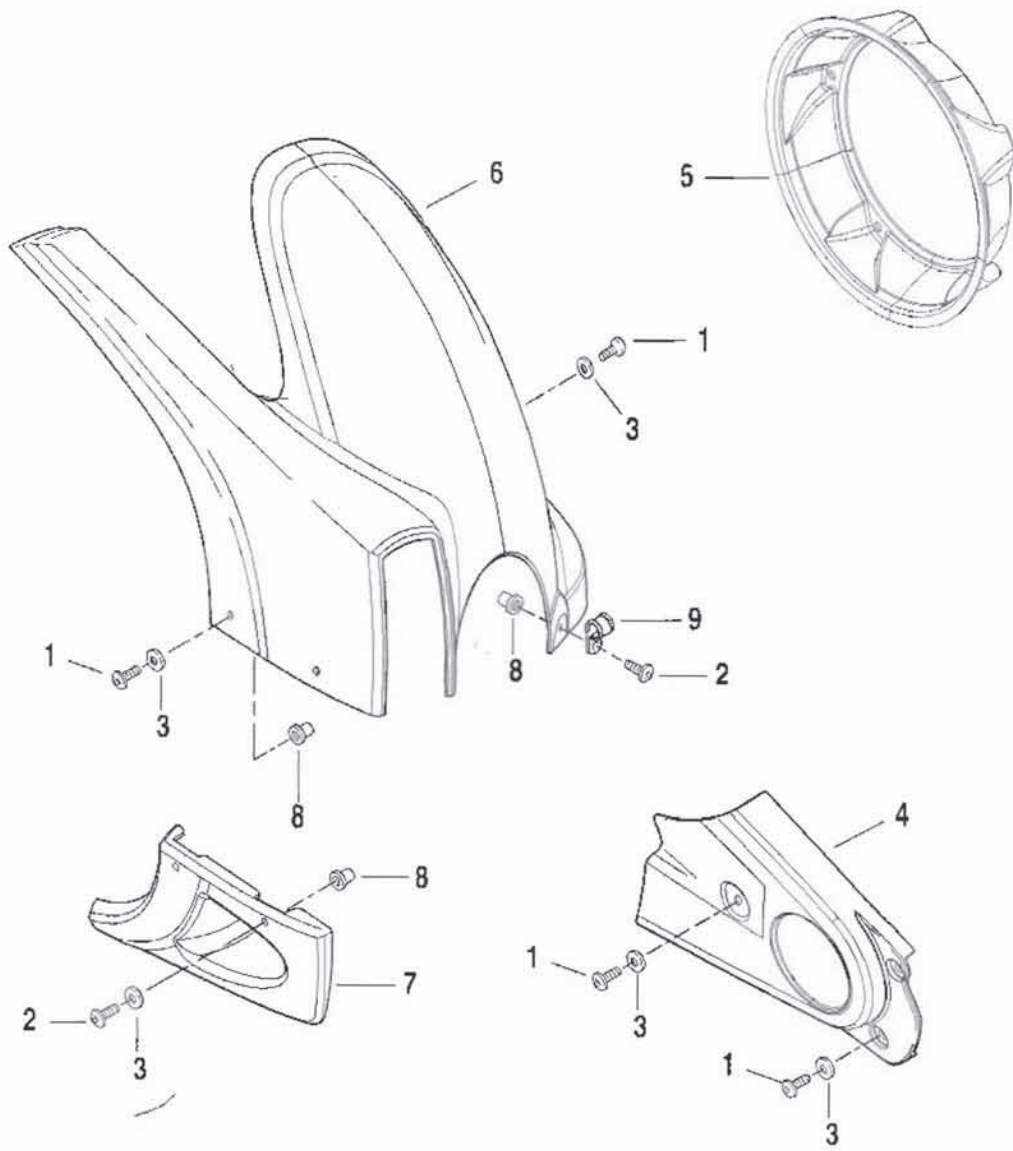
INDEX NO.	PART NO.	DESCRIPTION	MODEL(S)
1	AA0520.2CXZB	SCREW, pinch - mounting block	KP
2	CB0002.T	WASHER, pinch bolt - mounting block	KP
3	CD0002.T	NUT, insert - mounting block	KP
4	E6204	BEARING, swingarm - sealed roller (2)	KP
5	K0158.T	SPACER, swingarm bearing	KP
6	K0200.T	PIVOT BOLT	KP
7	K1100.8A7	SWINGARM KIT, w/ bearings, spacer & label(s)	KP
	K1101.8A7	SWINGARM KIT, w/ bearings, spacer & label(s) (CALIFORNIA)	KP
	K1102.8A7	SWINGARM KIT, w/ bearings, spacer & label(s) (CANADA)	KP

# HANDLEBARS & HAND CONTROLS



INDEX NO.	PART NO.	DESCRIPTION	MODEL(S)
1	11179	O-RING	KP
2	38616-00YA	CLUTCH CABLE	KP
3	A0525.2CBL	SCREW (3)	KP
4	A0540.2CBL	SCREW (1)	KP
5	A0622.21CBL	SCREW, clutch lever	KP
6	AA0508.2CBL	SCREW, upper handlebar clamp (4)	KP
7	AN0604.2CXZB	SCREW, throttle cable clamp	KP
8	C0129.L	CLAMP, throttle cable	KP
9	C0130.L	CLAMP, throttle cable, w/ nut	KP
10	C0144.T	CLAMP, clutch cable - front isolator	KP
11	C0145.T	SWITCH, clutch lever, w/ mounting screw	KP
12	C0149.T	BRACKET, clutch lever	KP
13	N1102.T	CLUTCH LEVER, w/ CA0002.T & CD0001.T	KP
14	CA0002.T	BOLT, clutch lever assembly	KP
15	CA0006.TA	SCREW, switch mounting	KP
16	CD0001.T	NUT, clutch lever assembly	KP
17	M0348.T	CLAMP, handlebar (2)	KP
18	N0002.M	HANDLEBAR	KP
19	N0050.K	HANDLEBAR GRIP, left	KP
20	N0051.K	HANDLEBAR GRIP, right - throttle	KP
21	N0053.K	PLUG, handlebar (2)	KP
22	N0104.TA	CLUTCH LEVER ASSEMBLY, does not include # A0525.2CBL	KP
23	N0110.8	CLAMP, clutch cable	KP
24	N0158.TA	SWITCH ASSEMBLY, handlebar - right, w/ throttle control	KP
25	N0159.TA	SWITCH ASSEMBLY, handlebar - left	KP
26	N0307.KA	CABLE, throttle control	KP
27	N0308.KA	CABLE, idle control	KP
28	N2161.9	MIRROR KIT, RH/LH, w/ decal (2)	KP
29	Y0820.9	SWITCH KIT, brake lever, switch, w/ mounting screw	KP

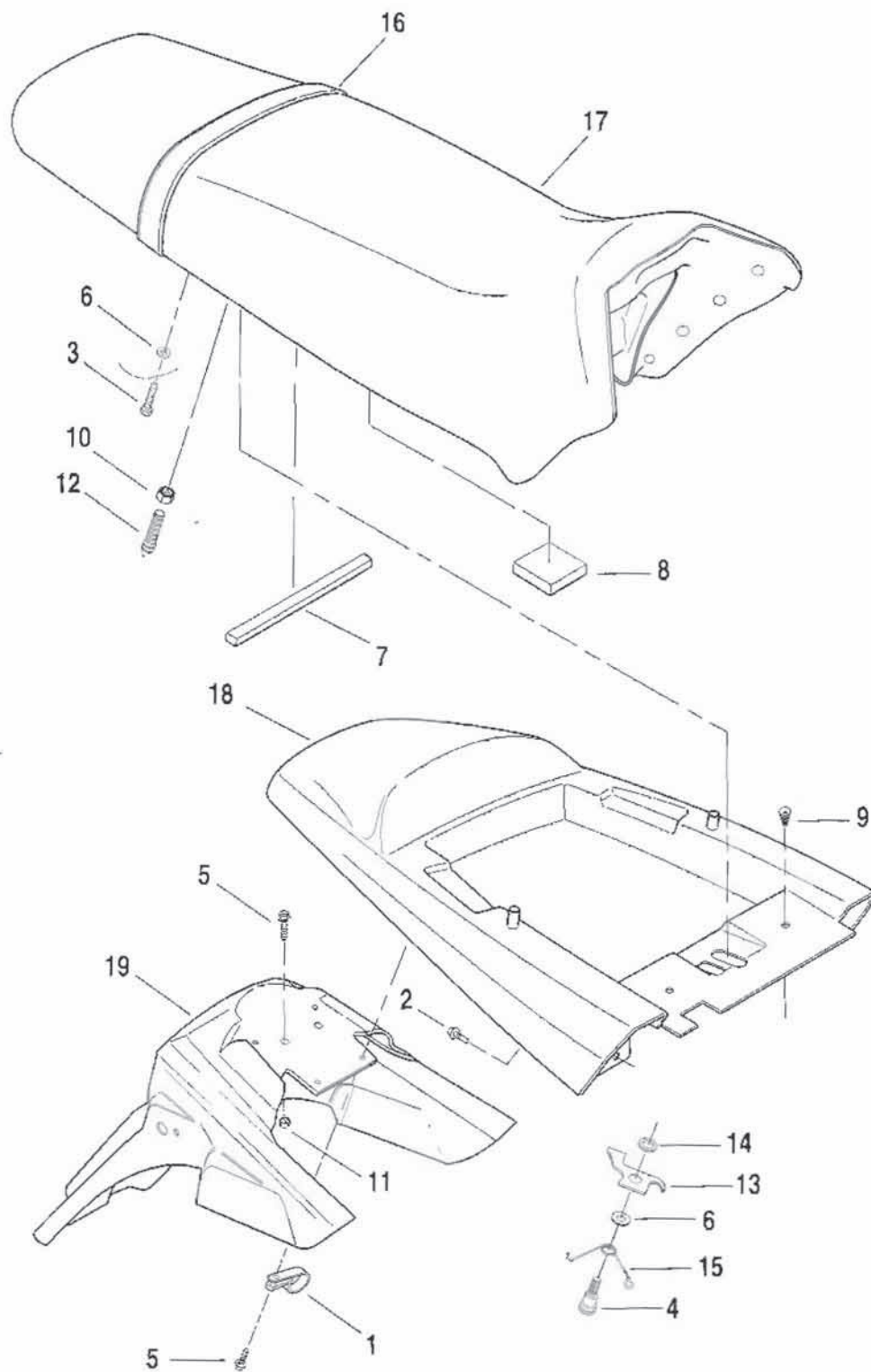
# REAR FENDER & BELT GUARDS



## REAR FENDER &amp; BELT GUARDS

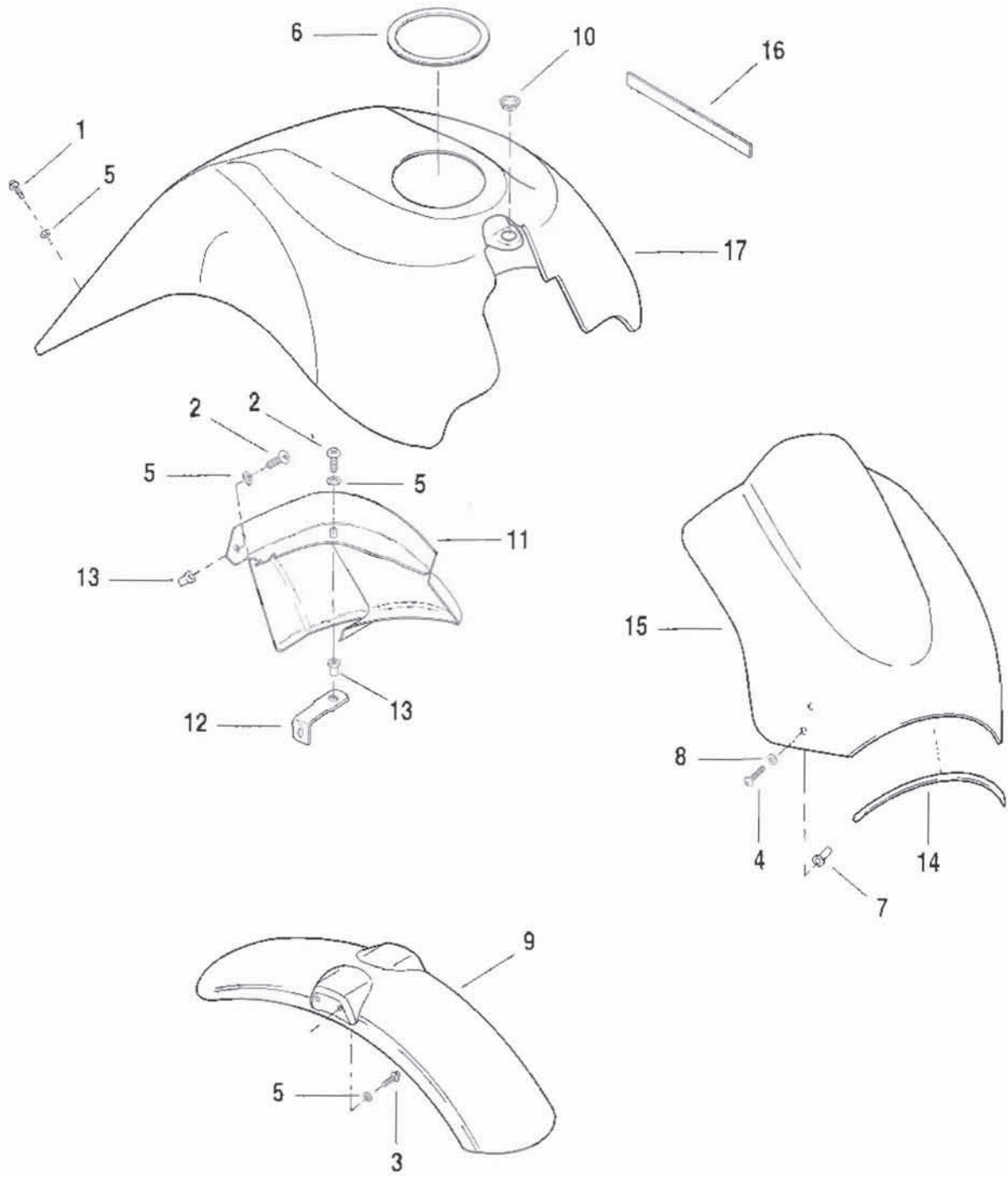
INDEX NO.	PART NO.	DESCRIPTION	MODEL(S)
1	AA0406.11CXVB	SCREW (6)	KP
2	AA0408.11CDBL	SCREW (3)	KP
3	BA0409.6BL	WASHER, wear (8)	KP
4	G0555.T	SPROCKET COVER, front	KP
5	G0556.01A7	SPROCKET COVER, rear	KP
6	M0550.TA	REAR INNER FENDER	KP
7	M0560.T	LOWER BELT GUARD	KP
8	M0705.3	WELL-NUT (6)	KP
9	N0110.8	CLAMP, rear brake line	KP

# SEAT & TAIL SECTION



INDEX NO.	PART NO.	DESCRIPTION	MODEL(S)
1	10053	CLAMP	KP
2	AA0404.21CRZ	BOLT (2)	KP
3	AA0406.1CZ	BOLT, seat strap (2)	KP
4	AA0502.20CXZB	SCREW	KP
5	AN1006.21FZ	SCREW (4)	KP
6	BA0409.1Z	WASHER (3)	KP
7	C0122.T	PAD, battery (strip)	KP
8	C0124.T	PAD, battery (square)	KP
	C0163.T	TRIMLOCK (not illustrated) (2)	KP
9	C0230.T	TREE FASTENER, 1/4 in. (2)	KP
10	DA0700.4FZ	LOCKNUT	KP
11	DN1000.2FZ	LOCKNUT (2)	KP
12	M0078.K	SEAT PIN	KP
13	M0080.T	LEVER, seat latch	KP
14	M0082.9	BUSHING	KP
15	M0083.9	SPRING, seat latch	KP
16	M0125.T	SEAT STRAP	KP
	M0126.T	SEAT STRAP, low	KP
17	M0127.TA	SEAT, complete - low w/ seat strap & pads	KP
	M0128.TA	SEAT, complete w/ seat strap & pads	KP
18	M1664.TMW	FAIRING, rear tail section (midnight black)	KP
	M1664.8A7MAW	FAIRING, rear tail section (arctic white)	KP
19	M0755.TA	BRACKET, license plate	KP

# TANK COVER, FRONT FENDER & BODYWORK





## TANK COVER, FRONT FENDER &amp; BODYWORK

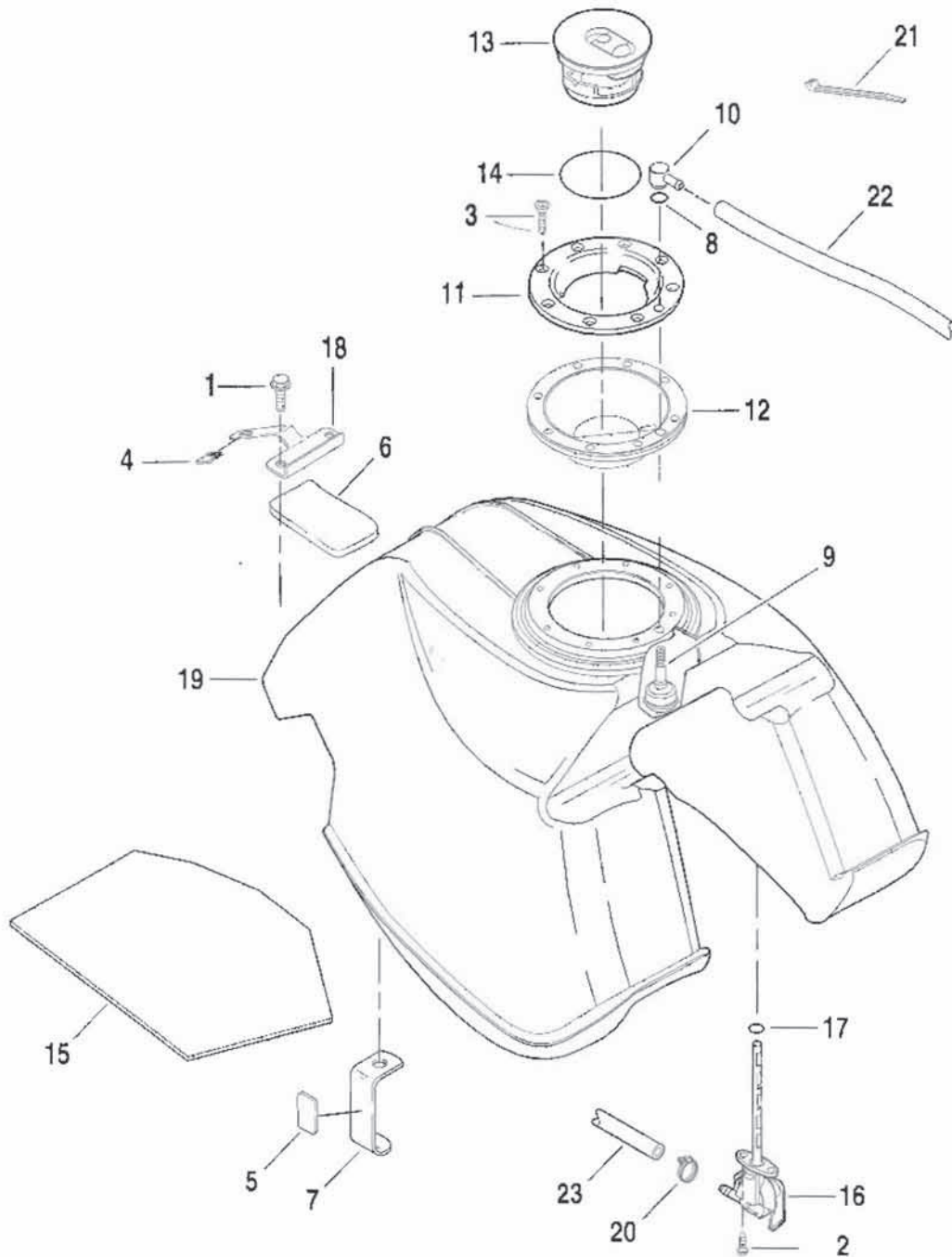
INDEX NO.	PART NO.	DESCRIPTION	MODEL(S)
1	AA0405.21CZ	SCREW	KP
2	AA0406.11CVB	SCREW (2)	KP
3	AA0406.21CJXZB	SCREW (4)	KP
4	AN0806.3CBL	SCREW (4)	KP
5	BA0409.6BL	WASHER (4)	KP
6	M0119.8A	TRIM RING	KP
7	M0602.0	WELL-NUT (4)	KP
8	M0603.4	WASHER (4)	KP
9	M1662.TMW	FENDER, front (midnight black)	KP
	M1662.8A7MAW	FENDER, front (arctic white)	KP
10	M0693.T	MOUNTING RING	KP
11	M0694.T	SIDE COVER, left	KP
12	M0695.T	BRACKET, left side cover mounting	KP
13	M0705.3	WELL-NUT (2)	KP
14	M0721.T	TRIM	KP
15	M1600.6A7MW	WINDSCREEN KIT, w/ trim & decal (midnight black)	KP
	M1600.8A7MAW	WINDSCREEN KIT, w/ trim & decal (arctic white)	KP
16	P0313.T	RUBBER CUSHION (2)	KP
17	P1109.8A7MW	COVER KIT, fuel tank w/ trim ring, cushion, decals & label (midnight black)	KP
	P1109.8A7MAW	COVER KIT, fuel tank w/ trim ring, cushion, decals & label (arctic white)	KP

DECALS



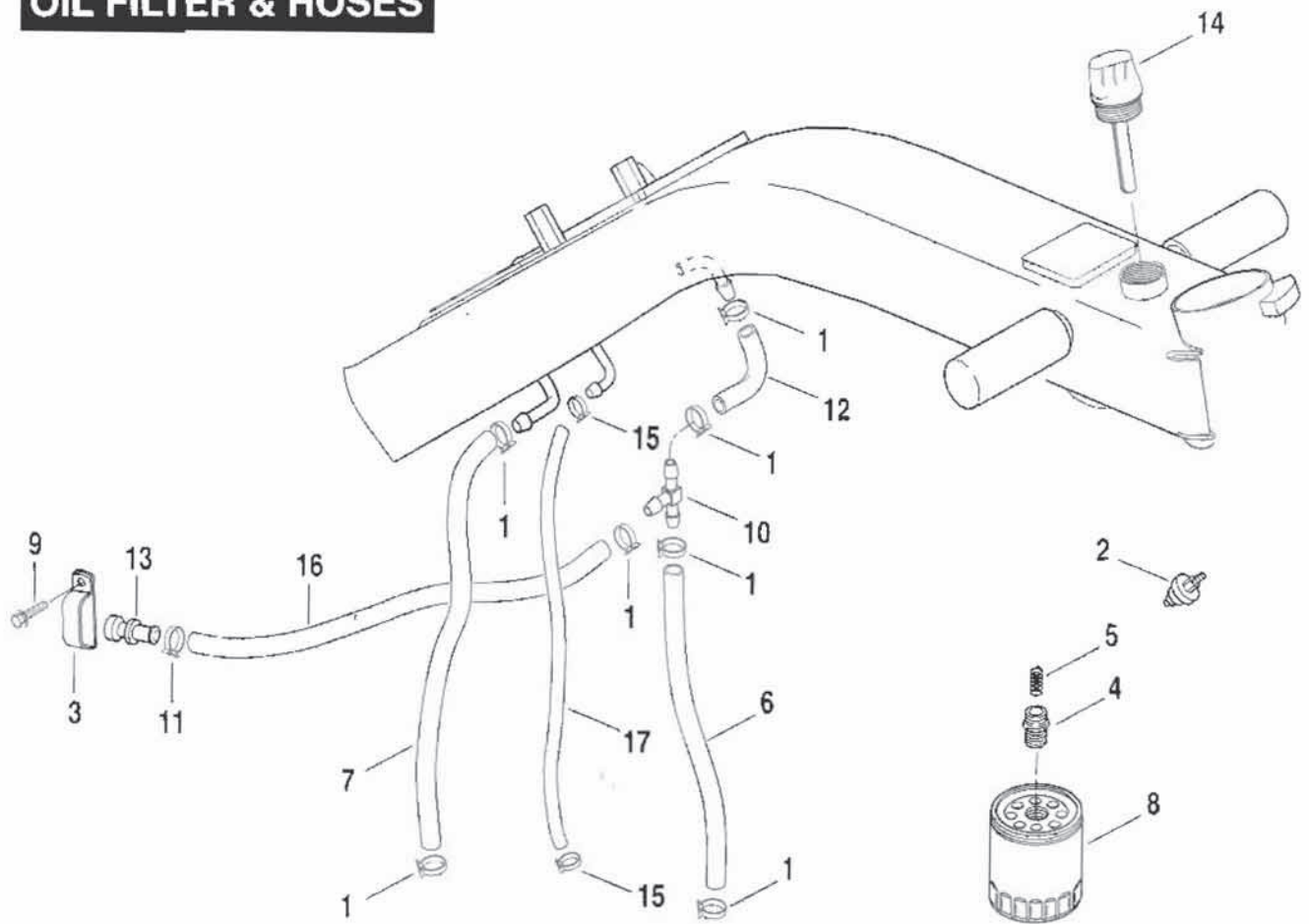
INDEX NO.	PART NO.	DESCRIPTION	MODEL(S)
1	M0729.8A7	DECAL, fuel tank (LH)	KP
2	M0730.8A7	DECAL, fuel tank (RH)	KP
3	M0745.6A7	DECAL, windscreen	KP

# FUEL TANK



INDEX NO.	PART NO.	DESCRIPTION	MODEL(S)
1	AA0406.21CRZ	SCREW (2)	KP
2	AN1004.3FSS	SCREW (2)	KP
3	AN1005.5FSS	SCREW (8)	KP
4	7900	LOCKNUT	KP
5	L0333.L	PAD, wear	KP
6	M0333.T	PAD, mounting	KP
7	P0044.T	BRACKET	KP
8	P0106.8	O-RING	KP
9	P0107.8C	VALVE, rollover	KP
10	P0114.8B	VENT TUBE, top	KP
11	P0151.2A	FLANGE, fuel cap	KP
12	P0152.2	BOOT, fuel cap	KP
13	P0153.T	FUEL CAP with o-ring	KP
14	P0156.2	O-RING, fuel cap	KP
	P0170.TA	HEAT SHIELD, fuel tank - left	KP
15	P0171.T	HEAT SHIELD, fuel tank - right	KP
16	P1600.T	FUEL VALVE, main	KP
17	P0301.8	O-RING	KP
18	P0316.T	MOUNTING STRAP	KP
19	P1110.TC	FUEL TANK ASSEMBLY KIT, w/ 2, 3, 8, 9, 10, 11, 12, 13, 14, 15, 16, & 17	KP
20	C0900.9	HOSE CLAMP	KP
21	Y0305.8B	CABLE STRAP	KP
<b>NOTE: Hose or insulator is sold in bulk length under the following part numbers. Cut to length.</b>			
22	HS0432.B	HOSE, 3/16 in. I.D. Neoprene rubber (25 ft. length)	KP
	27138-90	HOSE, 3/16 in. I.D. rubber (10 ft. length) (CALIFORNIA)	KP
23	63501-68A	HOSE, 1/4 in. I.D. rubber (25 ft. length)	KP

# OIL FILTER & HOSES

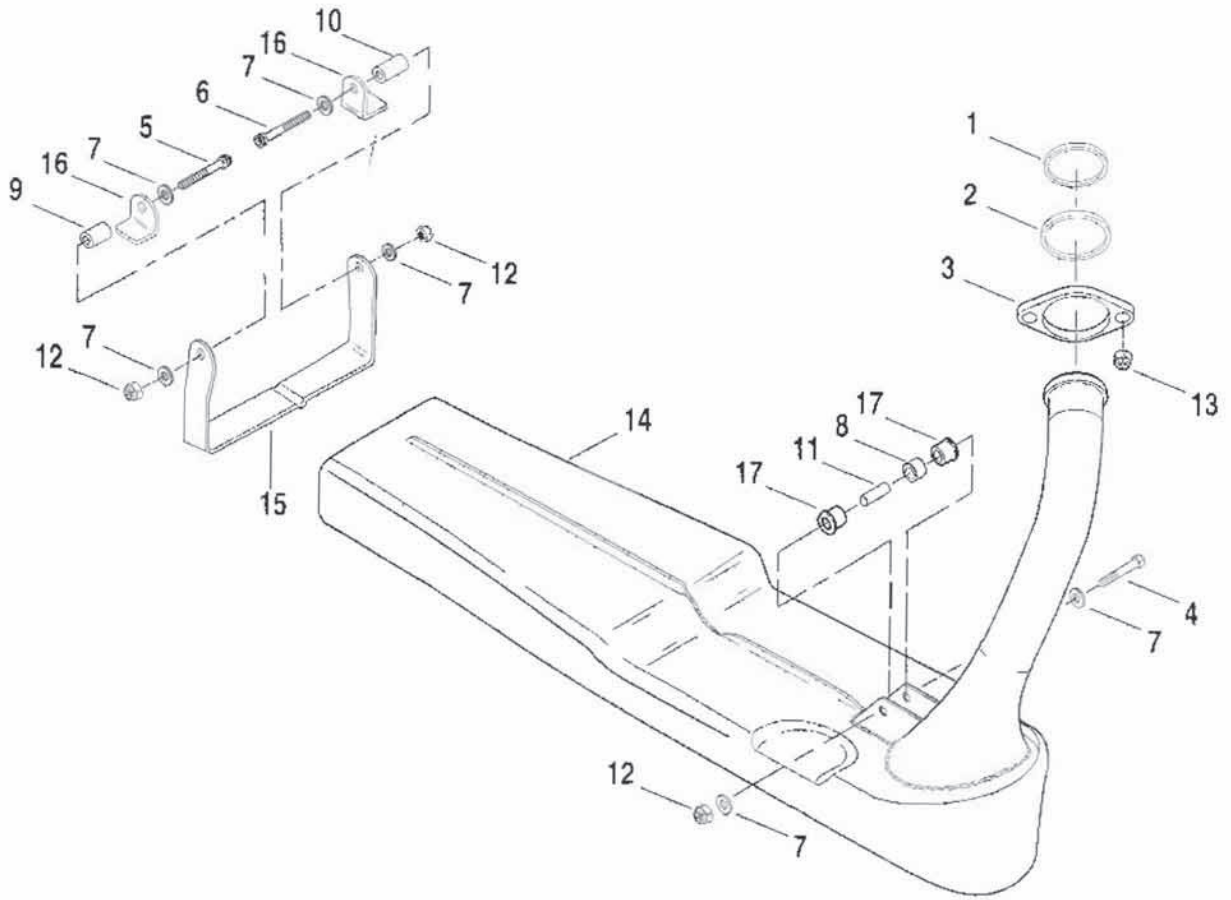


INDEX NO.	PART NO.	DESCRIPTION	MODEL(S)
1	10080	CLAMP, 3/8 in. (7)	KP
2	26554-77A	SWITCH, oil pressure indicator	KP
3	31532-94	CLAMP, oil drain hose	KP
4	33117-91A	ADAPTOR, oil filter	KP
5	33154-00Y	SPRING	KP
6	62338-01Y	HOSE, oil feed line - preformed	KP
7	62361-94	HOSE, oil return line - preformed	KP
8	63806-00Y	OIL FILTER	KP
9	AA0404.21CRXZ	SCREW	KP
10	C0411.T	T-FITTING, 3-way	KP
	C0511.T	CLAMP, oil hose (not illustrated)	KP
	C0540.9	CLAMP, spring type - 3/8 in.	KP
11	DN1000.2CZ	LOCKNUT, oil hose clamp mounting (not illustrated)	KP
	HS0607.T	HOSE, oil drain (not illustrated)	KP
12	Q0001.TA	J HOSE, preformed	KP
13	Q0103.9A	PLUG, drain	KP
14	Q0111.T	FILLER PLUG, w/ dipstick	KP
15	Q0123.0	CLAMP, hose - 1/4 in. (2)	KP

**NOTE: Hose or insulator is sold in bulk length under the following part numbers. Cut to length.**

16	63500-68	HOSE, 3/8 in. I.D. rubber (25 ft. length)	KP
17	63501-68A	HOSE, 1/4 in. I.D. rubber (25 ft. length)	KP

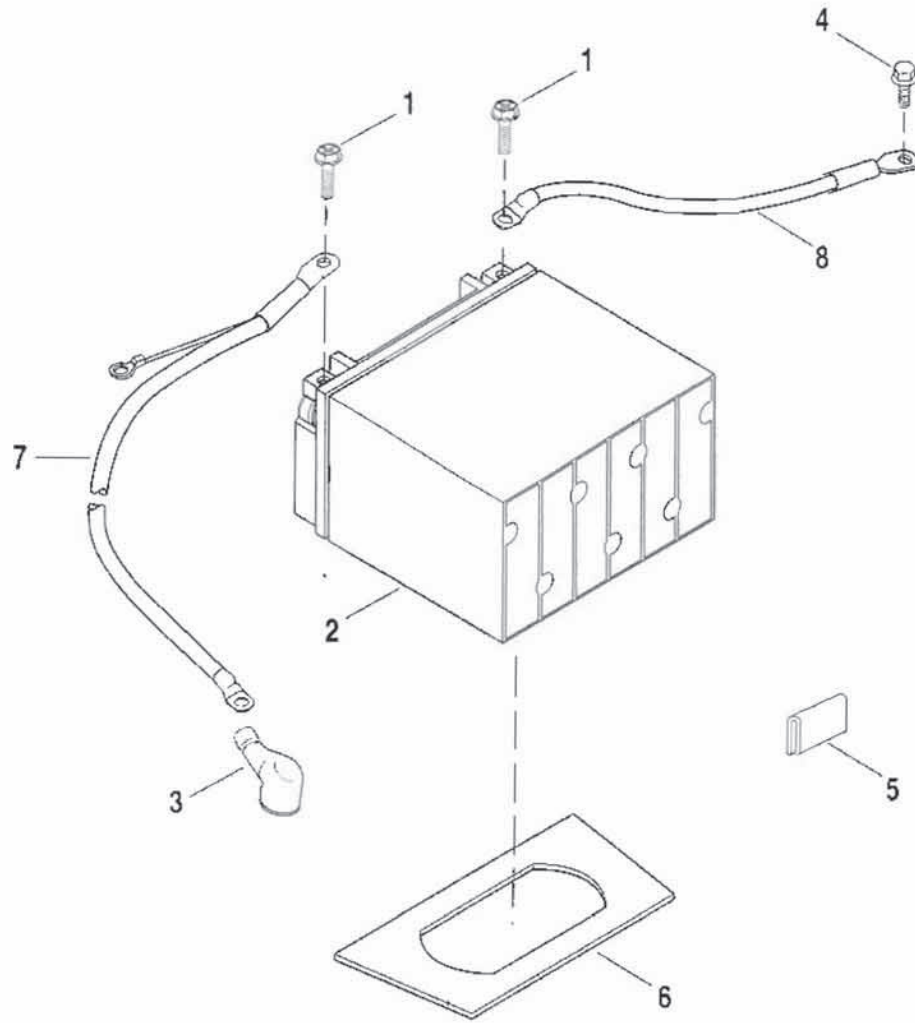
# EXHAUST SYSTEM





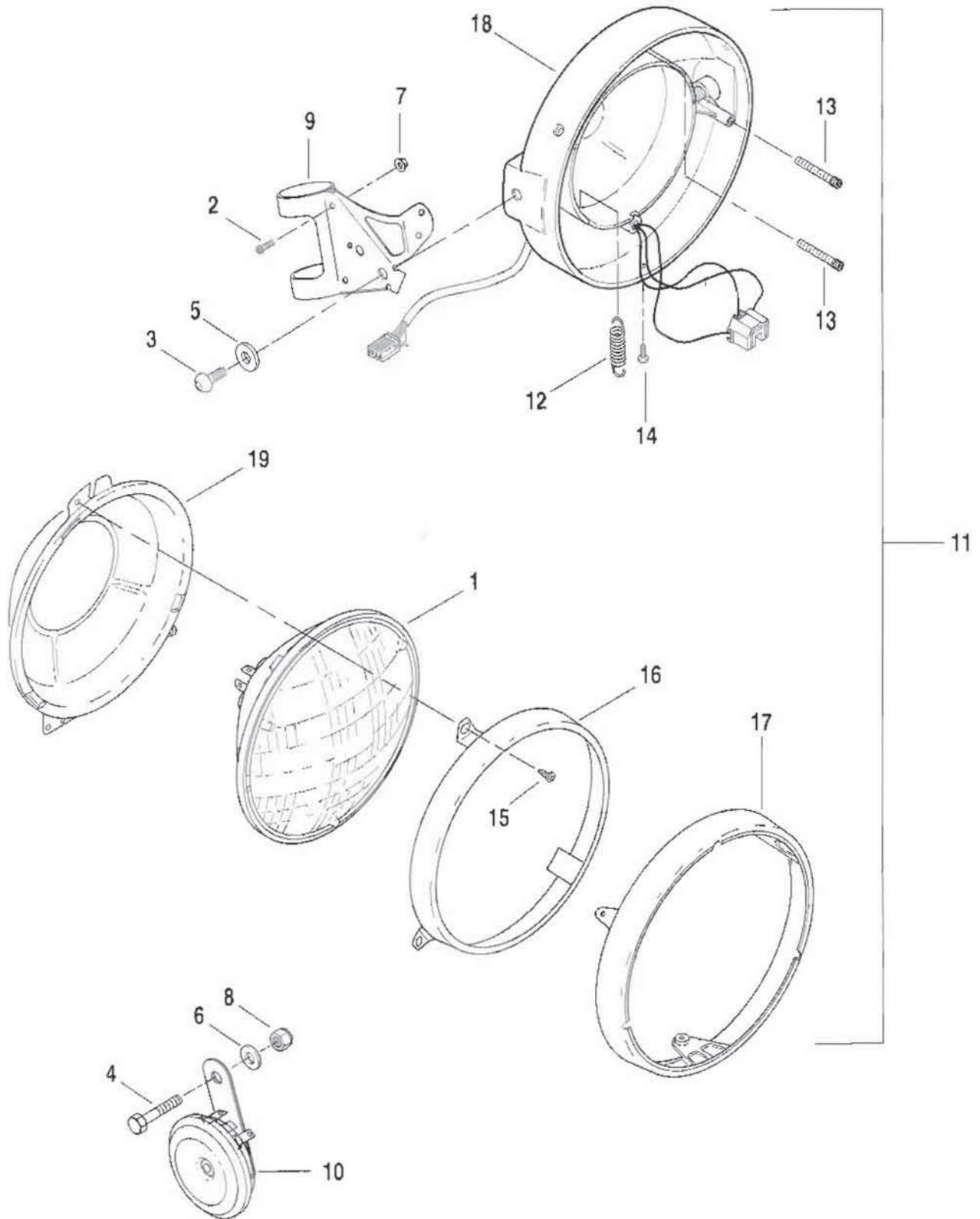
INDEX NO.	PART NO.	DESCRIPTION	MODEL(S)
1	65324-83A	GASKET, exhaust port	KP
2	65325-83A	RETAINING RING, exhaust	KP
3	65328-83	CLAMP, exhaust ring	KP
4	AA0516.1CZ	BOLT	KP
5	AA0516.2CZB	BOLT	KP
6	AA0520.2CZ	SCREW	KP
7	BA0511.2Z	WASHER (6)	KP
8	C0154.T	SPACER	KP
9	C0205.T	SPACER, right	KP
10	C0206.T	SPACER, left	KP
11	C0513.T	SPACER	KP
12	DA0500.10CZ	LOCKNUT (3)	KP
13	DA0500.12FZ	LOCKNUT (2)	KP
14	S0110.T	MUFFLER, complete	KP
15	S0114.T	MUFFLER STRAP, rear	KP
16	S0117.T	BRACKET (2)	KP
17	S0156.T	GROMMET (2)	KP

# BATTERY



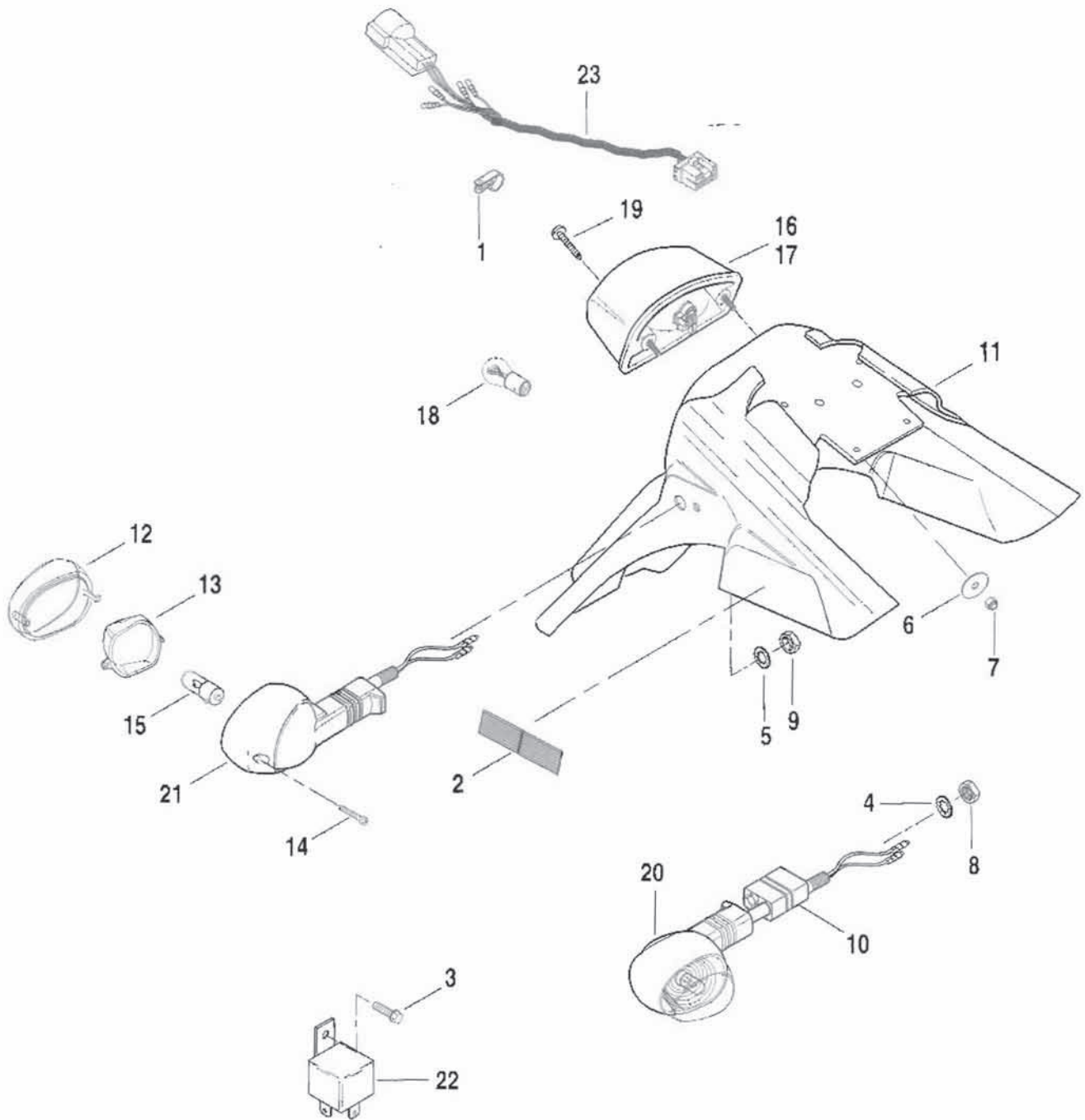
INDEX NO.	PART NO.	DESCRIPTION	MODEL(S)
1	4312B	SCREW (2)	KP
2	65948-00	BATTERY	KP
3	70578-89	BOOT, battery/starter cable	KP
4	AA0406.21CRZ	SCREW	KP
5	Y0101.T	PAD, battery (4)	KP
6	Y0102.T	PAD, battery	KP
7	Y0320.TB	CABLE ASSEMBLY, battery positive	KP
8	Y0321.TA	CABLE ASSEMBLY, battery negative	KP

# HEADLAMP & HORN



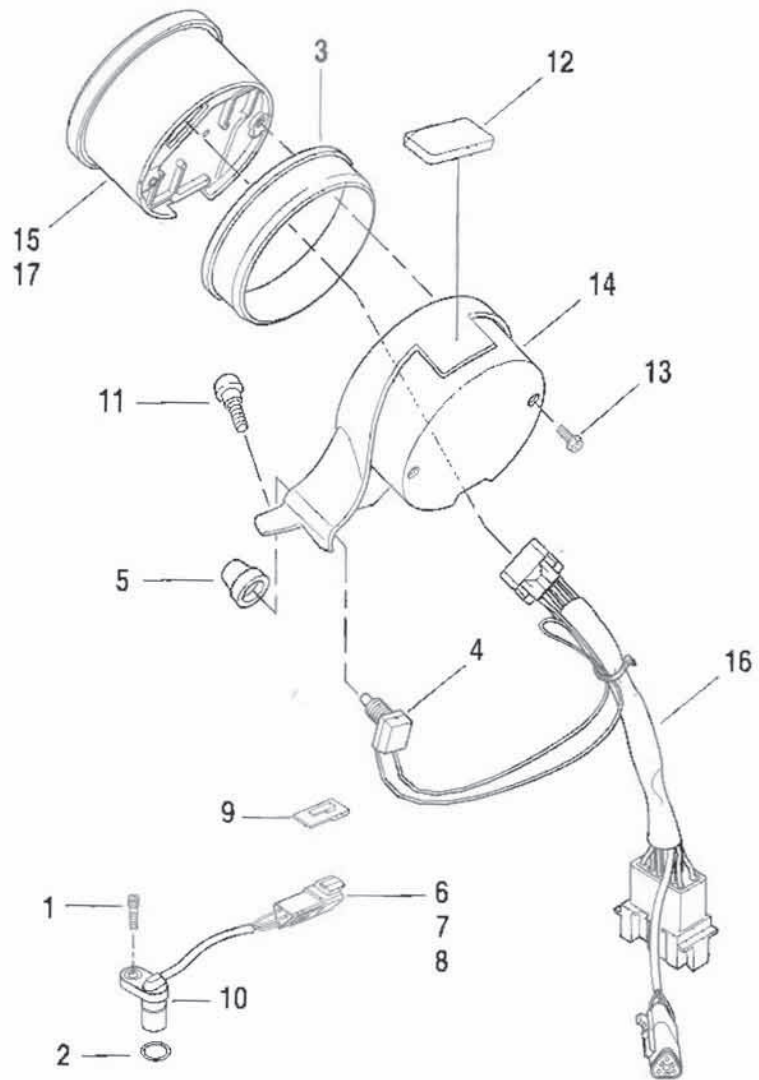
INDEX NO.	PART NO.	DESCRIPTION	MODEL(S)
1	67713-86	BULB, headlamp	KP
2	AA0405.2CBL	SCREW (4)	KP
3	AA0504.3CBL	SCREW (2)	KP
4	AA0608.1CZ	SCREW	KP
5	B0814.1BL	WASHER (2)	KP
6	BA0613.2Z	WASHER	KP
7	CD0003.T	NUT (4)	KP
8	DA0600.2CZ	LOCKNUT	KP
9	M0671.TA	BRACKET, left	KP
	M0672.TA	BRACKET, right	KP
10	Y0308.TA	HORN ASSEMBLY	KP
11	Y0400.T	HEADLAMP ASSEMBLY, complete - does not include 2, 3, 5, 7 & 9	KP
12	Y9000.T	SPRING	KP
13	Y9001.T	SCREW (2)	KP
14	Y9002.T	SCREW (3)	KP
15	Y9003.T	SCREW (3)	KP
16	Y9004.T	RETAINING RING, headlamp	KP
17	Y9005.T	BEZEL, headlamp - chrome	KP
18	Y9006.T	BUCKET, headlamp, w/ wire harness	KP
19	Y9007.T	NEST, headlamp	KP

# TAIL LAMP & TURN SIGNALS



INDEX NO.	PART NO.	DESCRIPTION	MODEL(S)
1	10053	CLAMP (plastic)	KP
2	59259-90	REFLECTOR, side - red (3)	KP
3	AA0404.21CRZ	SCREW	KP
4	B0800.4Z	WASHER (2)	KP
5	B1000.4Z	WASHER (2)	KP
6	BA0416.1Z	WASHER (2)	KP
7	D0600.2CZ	LOCKNUT (2)	KP
8	D0800.4FZ	JAM NUT (2)	KP
9	D1000.4FZ	JAM NUT (2)	KP
10	M0673.K	TURN SIGNAL STANDOFF, front (2)	KP
11	M0755.TA	BRACKET, license plate	KP
12	Y0039.K	OUTER LENS, turn signal (4)	KP
13	Y0040.K	INNER LENS, turn signal (4)	KP
14	Y0041.K	SCREW (4)	KP
15	Y0042.K	BULB, turn signal (4)	KP
16	Y0401.D	TAIL LAMP ASSEMBLY, complete	KP
17	Y0401A.D	LENS, tail lamp	KP
18	68169-90A	BULB, tail lamp	KP
19	Y0401C.2	SCREW (2)	KP
20	Y0504.K	TURN SIGNAL ASSEMBLY, right front w/ 3, 4, 5 & 6	KP
	Y0503.K	TURN SIGNAL ASSEMBLY, left front w/ 3, 4, 5 & 6	KP
21	Y0527.K	TURN SIGNAL ASSEMBLY, right rear w/ 3, 4, 5 & 6	KP
	Y0526.K	TURN SIGNAL ASSEMBLY, left rear w/ 3, 4, 5 & 6	KP
22	Y0621.MA	FLASHER, turn signal	KP
23	YH350.TA	WIRE HARNESS, tail section	KP

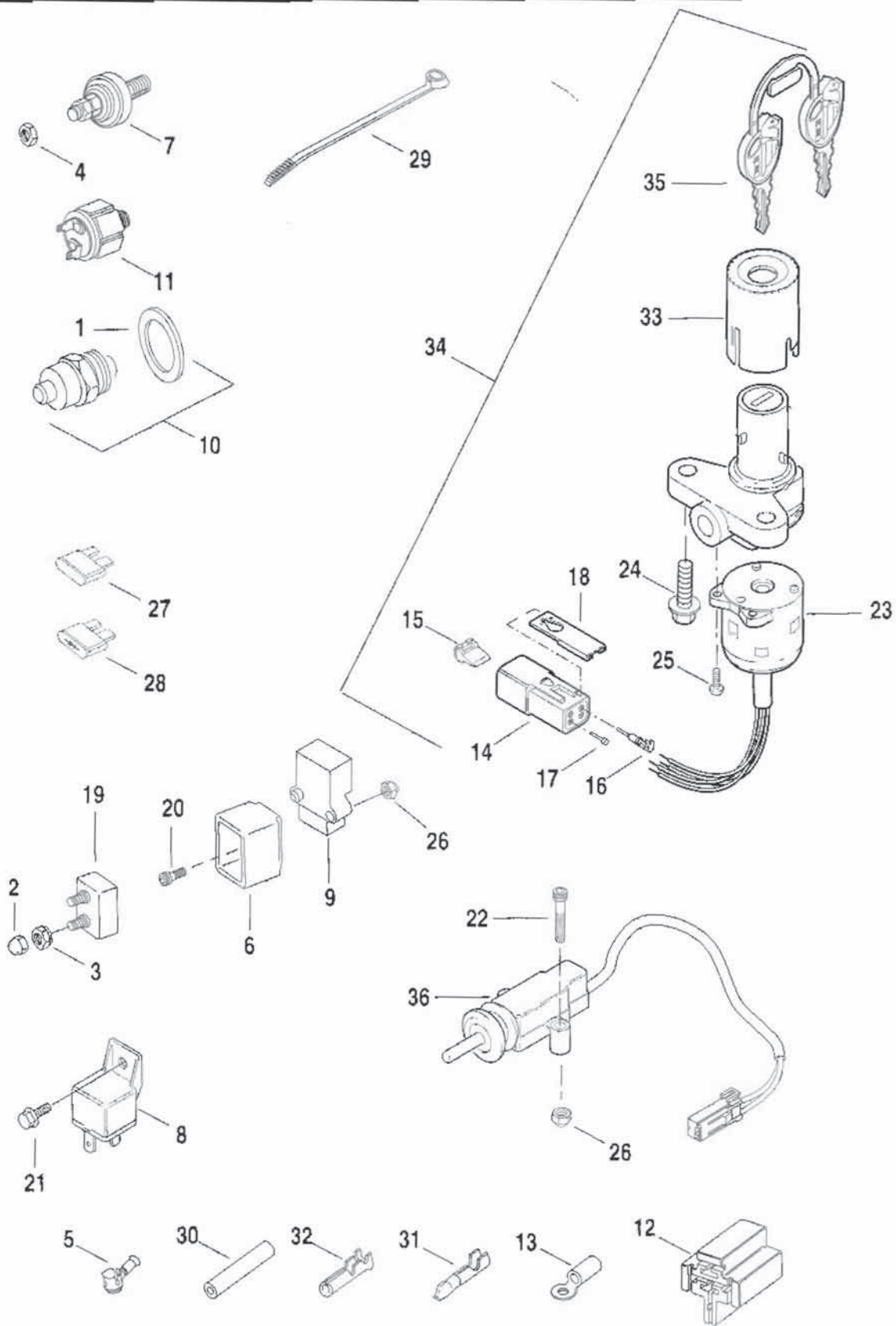
# SPEEDOMETER





INDEX NO.	PART NO.	DESCRIPTION	MODEL(S)
1	3594	SCREW	KP
2	11289	O-RING	KP
3	67121-95	MOUNT, speedometer - rubber	KP
4	67854-98	SWITCH, reset	KP
5	67880-94	BOOT, reset switch	KP
6	72143-94	SECONDARY LOCK, 3-way receptacle	KP
7	72163-94GY	RECEPTACLE, 3-way plug	KP
8	72190-94	TERMINAL, pin (3)	KP
9	72199-94	ANCHOR CLIP	KP
10	74431-01B	SENSOR, vehicle speed	KP
11	AA0402.20CXBL	SCREW (2)	KP
12	C0146.T	RUBBER PAD	KP
13	C0518.T	SCREW (2)	KP
14	M0660.T	DASH PANEL	KP
15	Y0500.01A7	SPEEDOMETER ASSEMBLY, mph	KP
16	YH033.T	WIRE HARNESS, speedometer	KP
INTERNATIONAL MODELS ONLY			
17	Y0501.01A7	SPEEDOMETER ASSEMBLY, kph (CANADA)	KP

# SWITCHES, SENSORS & ELECTRICAL CONNECTORS



INDEX NO.	PART NO.	DESCRIPTION	MODEL(S)
1	6288	WASHER, neutral switch	KP
2	7602	ACORN NUT (2)	KP
3	7629	NUT, w/ lockwasher (2)	KP
4	7638	NUT	KP
5	9905	TERMINAL, cap type - 1/4 in. diameter	KP
6	9989A	CLIP, circuit breaker mounting	KP
7	26554-77A	SWITCH, oil pressure indicator	KP
8	31504-91B	RELAY, starter & ignition (2)	KP
9	32495-98	SENSOR, bank angle	KP
10	33900-99	SWITCH, neutral indicator, w/ washer	KP
	70227-99	JUMPER WIRE ASSEMBLY, neutral indicator switch (not illustrated)	KP
11	72023-51C	SWITCH, rear brake light	KP
12	72046-79	HOUSING SOCKET, relay (2)	KP
13	72070-94Y	WIRE TERMINAL, ring type - 3/16 in. diameter hole (14-16 gauge)	KP
	Y0360.2	WIRE TERMINAL, ring type - 1/4 in. diameter hole (18 gauge)	KP
14	72104-94BK	RECEPTACLE HOUSING, 4-way	KP
15	72144-94	SECONDARY LOCK, 4-way receptacle	KP
16	72190-94	TERMINAL PIN, 4-way receptacle (4)	KP
17	72195-94	SEAL PIN, 4-way receptacle	KP
18	72199-94	ATTACHMENT CLIP, 4-way receptacle	KP
19	74599-77B	CIRCUIT BREAKER, 30 amp	KP
20	AN1008.2CZ	SCREW	KP
21	AN1004.21FRZ	BOLT, starter relay mounting	KP
22	AN1008.2CBL	SCREW, sidestand switch mounting (2)	KP
	BN1007.1Z	WASHER, relay mounting (not illustrated)	KP
23	C0152.T	SWITCH, ignition	KP
	C0527.2	RIVET, relay mounting (not illustrated)	KP
24	C0156.TA	BOLT (2)	KP
25	CA0007.T	SCREW (2)	KP
26	DN1000.2CZ	NUT (3)	KP
27	Y0011.K	FUSE, 15 AMP (4)	KP
	Y0016.T	FUSE, 7.5 AMP (3)	KP
	Y0200.01A7	MAIN WIRING HARNESS (not illustrated)	KP
28	Y0211.K	DIODE (2)	KP
29	Y0301.CB	CABLE STRAP (4)	KP
	Y0303.2B	CABLE STRAP (16)	KP
30	Y0355.4	INSULATING SLEEVE, male bullet connector (2)	KP
	Y0356.4	INSULATING SLEEVE, female bullet connector (2)	KP
31	Y0357.3A	CONNECTOR, male bullet (2)	KP
32	Y0358.3A	CONNECTOR, female bullet (2)	KP
33	Y0723.T	CAP, ignition switch - English	KP
34	Y0724.T	IGNITION SWITCH, w/ keys	KP
35	Y0732.T	KEY, ignition (specify key code)	KP
36	Y0802.T	SWITCH, sidestand	KP

# LABELS

**2**

**▲WARNING**

Motorcycles are different from other vehicles. They operate, steer, handle and brake differently. Unskilled or improper use could result in loss of control, death or serious injury.

- Take a rider training course.
- Read Owner's Manual before riding, adding accessories or servicing.
- Wear a helmet, eye protection and protective clothing.
- Never tow a trailer.

To be removed by customer only.

C0323.5A0


**7**

OBJECTS IN MIRROR ARE CLOSER THAN THEY APPEAR

**6**

This spark ignition system meets all requirements of the Canadian Interference-Causing Equipment Regulations.  
Ce système d'allumage par étincelle satisfait à toutes les exigences du Règlement sur le matériel brouilleur du Canada.

**5**

<p>RENSEIGNEMENTS SUR LE CONTRÔLE DES GAZ ÉMIS PAR LE VÉHICULE CYLINDRÉE - 492 CC FAMILLE DU MOTEUR: 7BLXC.492101 CE VÉHICULE EST CONFORME AUX RÉGLEMENTS DE L'USEPA APPLICABLES AUX MOTOCYCLETTES NEUVES DE L'ANNÉE MODÈLE 2007</p> 	<p>SYSTÈME DE CONTRÔLE DES GAZ D'ÉCHAPPEMENT DU MOTEUR MODIFICATIONS EFFECTUÉES AU MOTEUR SPÉCIFICATIONS AYANT TRAIT À LA MISE AU POINT DU MOTEUR VITESSE DE RALENTI LENTE: 1150-1250 TR/MN CALAGE DE L'ALLUMAGE/ REPÈRE DE DISTRIBUTION CENTRÉ DANS L'ORIFICE ET AVEC LE TUYAU RELIÉ CARBURANT: SANS PLOMB SEULEMENT MINIMUM INDICÉ À LA POMPE: 91 HUILE: SE RÉFÉRER AU MANUEL DU PROPRIÉTAIRE</p>
--	---

**1**

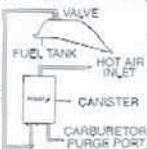
**▲WARNING**

Read Owner's Manual before riding, repairing or adding accessories to this motorcycle. Unstable Handling and/or loss of control may result from exceeding weight rating on frame label, adding unapproved accessories, or failing to retract side stand. Failure to follow warnings and cautions in the Owner's Manual may result in death or serious injury. (Owner's Manual is available from your Buell dealer. Call 1-800-490-9635 for the dealer nearest you.)

**4**

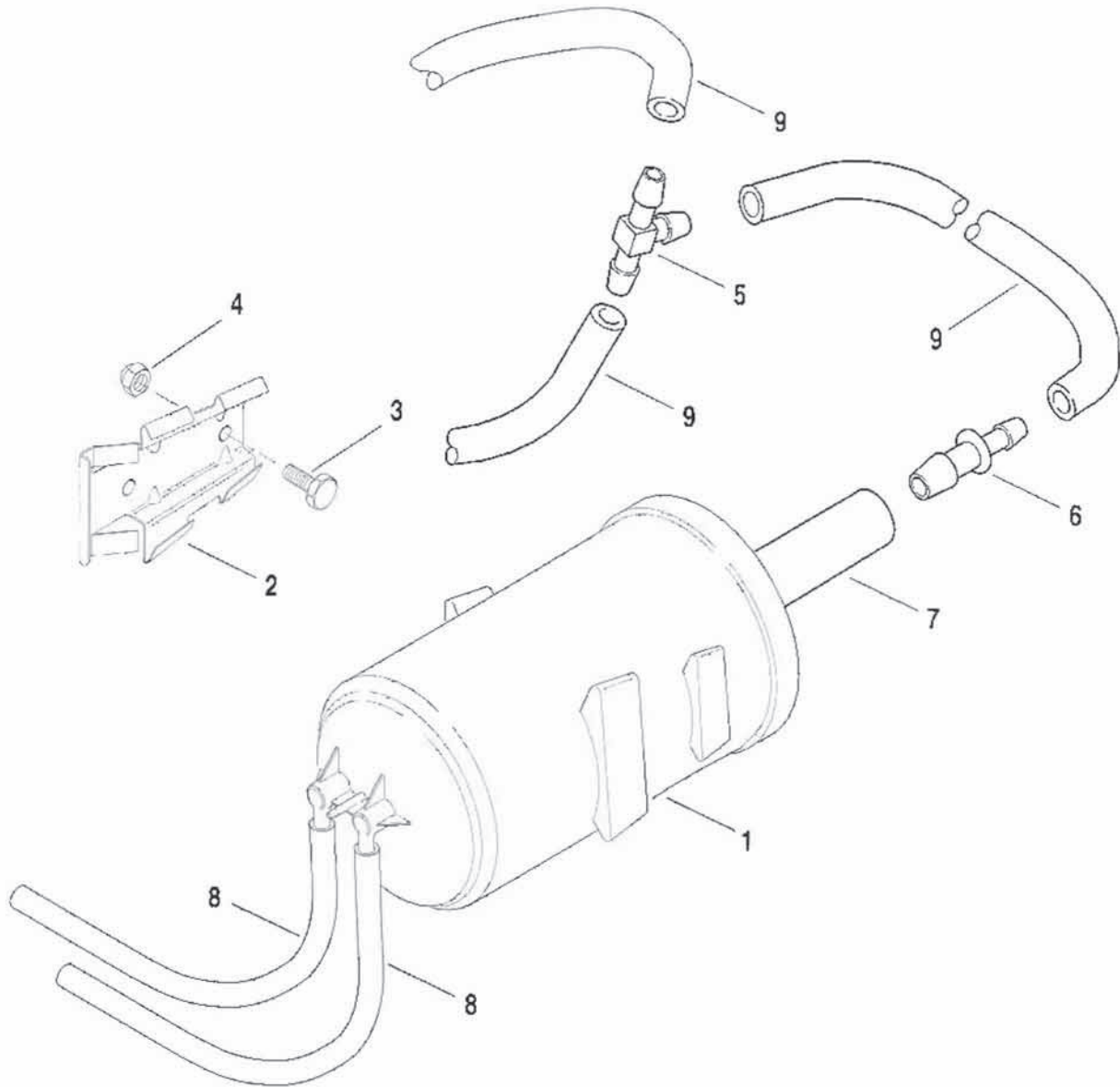
<p><b>VEHICLE EMISSION CONTROL INFORMATION</b> ENGINE DISPLACEMENT: 492 CC ENGINE FAMILY: 7BLXC.492101 THIS VEHICLE CONFORMS TO U.S. EPA REGULATIONS APPLICABLE TO 2007 MODEL YEAR NEW MOTORCYCLES.</p>	<p><b>ENGINE TUNE UP SPECIFICATIONS:</b> SLOW IDLE: 1150-1250 RPM IGNITION TIMING: TIMING MARK CENTERED IN PORT AT 1150-1250 RPM FUEL: UNLEADED GASOLINE 91 PUMP OCTANE OR HIGHER. OIL: SEE OWNERS MANUAL</p>	<p style="text-align: center;"><b>Buell</b></p> <p><b>BUELL MOTORCYCLE COMPANY</b> THIS 2007 BLX41K0492 MOTORCYCLE, S0110.T MEETS U.S. EPA NOISE EMISSION REQUIREMENTS OF 80 dBA AT 3300 RPM BY THE FEDERAL TEST PROCEDURE. MODIFICATIONS WHICH CAUSE THIS MOTORCYCLE TO EXCEED FEDERAL NOISE STANDARDS ARE PROHIBITED BY FEDERAL LAW. SEE OWNERS MANUAL.</p> <p style="text-align: right;">C0285.8A7</p>
---	---	---

**3**

<p><b>VEHICLE EMISSION CONTROL INFORMATION</b> ENGINE DISPLACEMENT: 492 cc ENGINE FAMILY: 7BLXC.492101 THIS VEHICLE CONFORMS TO U.S. EPA AND CALIFORNIA REGULATIONS APPLICABLE TO 2007 MODEL YEAR NEW MOTORCYCLES AND IS CERTIFIED TO 1.4 HC+N0x G/KM ENGINE FAMILY EXHAUST EMISSION STANDARD IN CALIFORNIA ENGINE EXHAUST CONTROL.</p>	<p><b>SYSTEM: EM</b> <b>ENGINE TUNE UP SPECIFICATIONS:</b> FAST IDLE: 2000 RPM IGNITION TIMING: TIMING MARK CENTERED IN PORT AT 1150-1250 RPM FUEL: UNLEADED GASOLINE 91 PUMP OCTANE OR HIGHER. OIL: SEE OWNERS MANUAL</p>	<p style="text-align: center;"><b>Buell</b></p> <p><b>BUELL MOTORCYCLE COMPANY</b> THIS 2007 BLX41K0492 MOTORCYCLE, S0110.T MEETS U.S. EPA NOISE EMISSION REQUIREMENTS OF 80 dBA AT 3300 RPM BY THE FEDERAL TEST PROCEDURE. MODIFICATIONS WHICH CAUSE THIS MOTORCYCLE TO EXCEED FEDERAL NOISE STANDARDS ARE PROHIBITED BY FEDERAL LAW. SEE OWNER'S MANUAL.</p> <p style="text-align: right;">C0284.8A7</p>	
---	--	--	---

INDEX NO.	PART NO.	DESCRIPTION	MODEL(S)
1	C0178.3A8B	LABEL SET, w/ fuse block label (Domestic. Australia, Canada, England)	KP
2	C0323.5A8	LABEL	KP
3	C0264.8A7	LABEL	KP
4	C0265.8A7	LABEL	KP
5	C0266.8A7	LABEL	KP
6	L1013.02A8	LABEL	KP
7	N0163.9	LABEL	KP

# CALIFORNIA EVAPORATIVE EMISSIONS COMPONENTS



## CALIFORNIA EVAPORATIVE EMISSIONS COMPONENTS

INDEX NO.	PART NO.	DESCRIPTION	MODEL(S)
NOTE: These parts are required for motorcycles sold in the state of California.			
1	27042-84A	CANISTER ASSEMBLY	KP
2	27047-84B	BRACKET	KP
3	AA0403.1CAZ	SCREW (2)	KP
4	DA0400.3CZ	LOCKNUT (2)	KP
5	HO0203.8B	FITTING, 3-way - barbed	KP
6	HS0001.T	COUPLER FITTING	KP
7	HS0801.T	HOSE, 1/2 in. I.D. X 2 in. length - rubber	KP
	Y0303.2B	CABLE STRAP (not illustrated)	KP
	Y0305.8B	CABLE STRAP, hoses to canister (not illustrated) (2)	KP
NOTE: Hose or insulator is sold in bulk length under the following part numbers. Cut to length.			
8	27138-90	HOSE, 3/16 in. I.D. rubber (10 ft. length)	KP
9	63500-68	HOSE, 3/8 in. I.D. rubber (25 ft. length)	KP

## HARDWARE LIST

PART NO.	DESCRIPTION	PART NO.	DESCRIPTION
1039	SCREW, 5/16-18 X 2-1/2 hex flange hd. (Grade 8)	AA0402.20CXBL	SCREW, 1/4-20 X 1/4 socket hd.
2611C	BOLT, No. 10-32 X 3/4 hex hd., w/washer (Grade 5)	AA0403.1CAZ	SCREW, 1/4-20 X 3/8 hex hd.
3029	SCREW, No. 10-24 X 1 TORX hd., w/adhesive	AA0404.21CRXZ	SCREW, 1/4-20 X 1/2 hex hd., thread-cutting
31689-90	BOLT, M4 X 0.7 X 12 hex hd.	AA0404.21CRZ	SCREW, 1/4-20 X 1/2 hex flange hd., thread-cutting (zinc)
3275	SCREW, 5/16-18 X 3/4 socket hd. (Grade 8)	AA0404.21CXDZ	SCREW, 1/4-20 X 1/2 hex hd.
3403	LOCKNUT, M8-1.25 X 12mm flange (zinc)	AA0405.21CJLZB	SCREW, 1/4-20 X 5/8 hex flange hd.
3594	SCREW, 1/4-20 X 5/8 knurled hd. (Grade 8)	AA0405.21CZ	SCREW, 1/4-20 X 5/8 hex flange hd. (zinc)
3675	SCREW, 5/16-18 X 1 TORX hd., w/lockpatch (Grade 8)	AA0405.2CBL	SCREW, 1/4-20 X 5/8 socket hd. (black chromate)
3849	SCREW, 1/4-20 X 1-1/4 SEMS hex hd. (Grade 8)	AA0405.2CXZB	SCREW, 1/4-20 X 5/8 socket hd., w/Scotch grip (zinc)
4091	SCREW, No. 10-24 X 1/2 hex hd., w/washer, self-tapping (zinc)	AA0406.11CVB	SCREW, 1/4-20 X 3/4 TORX truss hd.
4132	SCREW, 1/4-20 X 1-1/8 TORX button hd. (Grade 5) (black)	AA0406.11CXVB	SCREW, 1/4-20 X 3/4 TORX truss hd., w/Scotch rip (black olive)
4312B	SCREW, M6 X 1.0 X 14mm, SEMS flange hd. (stainless)	AA0406.1CZ	BOLT, 1/4-20 X 3/4 hex hd. (zinc)
4718A	SCREW, 1/4-20 X 1-1/2 knurled hd., w/lockpatch	AA0406.21CJXZB	SCREW, 1/4-20 X 3/4 hex hd.
4751	BOLT, 1/4-20 X 3/4 hex hd., w/lockpatch (Grade 8) (zinc)	AA0406.21CRZ	SCREW, 1/4-20 X 3/4 hex flange hd., thread-cutting (zinc)
4765	SCREW, 1/4-20 X 2-5/8 SEMS socket hd., w/lockpatch (Grade 8) (zinc)	AA0406.2CXBL	SCREW, 1/4-20 X 3/4 hex hd.
4820A	SCREW, 1/4-20 X 2 socket hd.	AA0408.11CDBL	SCREW, 1/4-20 X 1.0 TORX truss hd. (black chromate)
6003	WASHER, 1-3/16 X 1-3/8 X 11/16	AA0408.1CLAZ	SCREW, 1/4-20 X 1 hed hd.
6099	WASHER, 1/4 X 7/16 X 1/16	AA0410.2CXBL	SCREW, 1/4-20 X 1-1/4 socket hd.
6157	WASHER, 27/64 X 5/8 X 1/64 heat treated	AA0412.21CRXZ	SCREW, 1/4-20 X 1-1/2 hex hd., thread-cutting
6288	WASHER, 17/32 X 25/32 X 1/32	AA0502.20CXZB	SCREW, 5/16 X 1/4 socket hd.
6314W	WASHER, 21/64 X 9/16 X 1/8 (zinc)	AA0504.3CBL	SCREW, 5/16-18 X 1/2 socket button hd. (zinc)
7602	ACORN NUT, No. 10-32 nylon	AA0507.2CXZ	SCREW, 5/16-20 X 7/8 socket hd., w/Scotch Grip
7629	NUT, No. 10-32 X 3/8 keps	AA0508.2CBL	SCREW, 5/16-18 X 1 socket hd. (zinc)
7638	NUT, No. 10-32 X 1/8 X 3/8 (Grade 2)	AA0516.1CZ	BOLT, 5/16-18 X 2 hex hd. (zinc)
7683	LOCKNUT, 1/4-28 X 5/16 X 7/16	AA0516.2CZB	BOLT, 5/16-18 X 2 socket hd. (zinc)
7804	LOCKNUT, 1/2-13 X 15/32 X 7/8 self-sealing	AA0520.2CXZB	SCREW, 5/16-18 X 2-1/2 socket hd., w/Scotch grip (bright zinc)
7839	NUT, 3/4-16 X 21/32 flange (Grade 2)	AA0520.2CZ	SCREW, 5/16-18 X 2-1/2 socket hd. (zinc)
7900	LOCKNUT, 5/8-18	AA0608.1CZ	SCREW, 3/8-16 X 1 hex hd. (zinc)
7916A	JAM NUT, 5/8-18	AA0608.2CZ	SCREW, 3/8-16 X 1 socket hd. (zinc)
876A	SCREW, 5/16-18 X 2-1/2 socket hd. (Grade 5)	AA0609.2CXZ	SCREW, 3/8-18 X 1-1/8 socket hd., w/Scotch grip (zinc)
879A	SCREW, 5/16-18 X 3-1/2 knurled hd. (Grade 8)	AA0610.1CXZ	BOLT, 3/8-18 X 1-1/4 hex hd., w/Scotch grip (zinc)
882	SCREW, 1/4-20 X 7/8 knurled hd., w/washer (Grade 8)	AA0612.1CZ	BOLT, 3/8-16 X 1-1/2 hex hd. (zinc)
928	BOLT, M5 X 0.8 X 35.2 hex hd.	AA0614.1CXAZ	BOLT, 3/8-18 X 1-3/4 hex hd., w/Scotch grip (Grade 5) (zinc)
929A	SCREW, M4 X 0.7 X 11.8 flange hd.	AA0616.1CZ	BOLT, 3/8-16 X 2 hex hd (zinc)
943	SCREW, 1/4-20 X 5/8 socket button hd.	AA0618.1CZ	BOLT, 3/8-16 X 2-1/4 hex hd. (zinc)
A0525.2CBL	SCREW, M5 X 25mm socket hd.	AA0636.2CZ	SCREW, 3/8-16 X 4-1/2 socket hd. (zinc)
A0540.2CBL	SCREW, M5 X 40mm socket hd.	AA0718.1CXZ	BOLT, 7/16-18 X 2-1/4 hex hd., w/Scotch grip (zinc)
A0622.21CBL	SCREW, M6-1.25 X 22mm hex flange hd. (black chromate)	AA0726.2CZ	SCREW, 7/16-14 X 3-1/4 socket hd. (zinc)
A0845.1CXZ	SCREW, M6-1.25 X 45mm hex flange hd., w/Scotch grip (zinc)	AN0604.14CDBL	SCREW, No. 6-32 X 1/2 Phillips pan hd., (Grade 2) (black chromate)
A1050.1CZ	BOLT, M10-1.5 X 50mm hex hd. (zinc)	AN0604.2CXZB	SCREW, 6-32 X 1/2



## HARDWARE LIST

PART NO.	DESCRIPTION	PART NO.	DESCRIPTION
AN0806.3CBL	SCREW, No. 8-32 X 3/4 hex button hd. (Grade 12) (black chromate)	BA0613.3Z	WASHER, 3/8 X 13/16 thick, hardened (zinc)
AN1004.21FRZ	SCREW, No. 10-32 X 1/2 hex flange hd., thread-cutting (zinc)	BA0714.3Z	WASHER, 7/16 X 7/8 thick
AN1004.3FSS	SCREW, No. 10-32 X 3/8 socket button hd. (stainless)	BA1120.2Z	WASHER, 11/16 X 1-1/4 hardened (zinc)
AN1005.5FSS	SCREW, No. 10-32 X 5/8 socket flat hd. (stainless)	BN1007.1Z	WASHER, 10 X 7/16 (zinc)
AN1006.21FZ	SCREW, No. 10-24 X 3/4 hex flat hd. (zinc)	C0156.TA	BOLT, 1/4 X 3/4 hex slotted flange hd., w/lockpatch
AN1008.2CBL	SCREW, No. 10-24 X 1 socket hd. (black chromate)	C0518.T	SCREW, No. 8-32 X 1/2 TORX hd.
AN1008.2CZ	SCREW, No. 10-24 X 1 socket hd. (zinc)	CD0003.T	NUT, 1/4-20 flange nylock (black)
B0800.4Z	WASHER, 8mm star (zinc)	D0600.2CZ	LOCKNUT, M6 nylock (zinc)
B0814.1BL	WASHER, 8mm X 14mm standard (black chromate)	D0800.4FZ	JAM NUT, M8 X 1.025, nylock (zinc)
B1000.4Z	WASHER, 10mm star (zinc)	D1000.2CZ	LOCKNUT, M10 nylock (zinc)
B2033.8Z	WASHER, 20mm X 33mm split, spring lock (zinc)	D1000.4FZ	JAM NUT, M10 thin (zinc)
B2037.1Z	WASHER, 20mm X 37mm standard (zinc)	D1600.1FXZ	NUT, 16M X 1.5 hex
BA0409.1Z	WASHER, 1/4 X 9/16 standard (zinc)	DA0400.3CZ	LOCKNUT, 1/4-20 staked (zinc)
BA0409.6BL	WASHER, 1/4 X 9/16 nylon (black)	DA0500.10CZ	LOCKNUT, 5/16-18 spring lock (zinc)
BA0416.1Z	WASHER, 1/4 X 1 standard (zinc)	DA0500.12FZ	LOCKNUT, 5/16-24 (zinc)
BA0511.2Z	WASHER, 5/16 X 11/16 flat, hardened (zinc)	DA0600.11CZ	LOCKNUT, 3/8-16 thin (zinc)
BA0613.2Z	WASHER, 3/8 X 13/16 thick, hardened (zinc)	DA0600.13CZ	LOCKNUT, 3/8-16 oval top nylock (zinc)
		DA0600.2CZ	LOCKNUT, 3/8-16 nylock (zinc)
		DA0700.13CZ	LOCKNUT, 7/16-14 oval top (zinc)
		DA0700.4FZ	LOCKNUT, 7/16-20 thin (zinc)
		DN1000.2CZ	LOCKNUT, No. 10-24 nylock (zinc)
		DN1000.2FZ	LOCKNUT, No. 10-24 nylock (zinc)

## NEW PARTS LIST

PART NO. ....	PAGE	PART NO. ....	PAGE	
16800-84A	GASKET.....	9	AA0502.20CXZB SCREW.....	53
17362-07	GASKET.....	9	AN0604.2CXZB SCREW.....	59
17598-07	ROCKER COVER.....	9	C0178.3A8B LABEL SET.....	85
17695-07	GASKET.....	9	C0264.8A7 LABEL.....	85
19284-06	ENGINE ASSEMBLY.....	7	C0265.8A7 LABEL.....	85
26239-07	GEAR SHAFT.....	19	C0266.8A7 LABEL.....	85
26502-07	GEROTOR SET.....	19	C0323.5A8 LABEL.....	85
26503-07	GEROTOR SET.....	19	D1600.1FXZ NUT.....	43
27047-84B	BRACKET.....	87	H0035.F DIAPHRAM.....	41
31504-91B	RELAY.....	83	H0522.TD BRAKE LINE ASSEMBLY.....	41
32335-04	SPARK PLUG.....	27	HS0431.B HOSE.....	21
32413-92B	ROTOR SPROCKET ASSEMBLY.....	25	K1100.8A7 SWINGARM KIT.....	57
32687-00YA	IGNITION MODULE.....	27	K1101.8A7 SWINGARM KIT.....	57
4312B	SCREW.....	75	K1102.8A7 SWINGARM KIT.....	57
65328-83	CLAMP.....	73	L1013.02A8 LABEL.....	85
68169-90A	BULB.....	79	L2500.02A7A FRAME ASSEMBLY KIT.....	53
70187-82A	CABLE.....	27	L2501.02A7A FRAME ASSEMBLY KIT.....	53
72016-73C	SWITCH.....	41	M0720.C SEAL.....	23
7900	LOCKNUT.....	69	M0729.8A7 DECAL.....	67
AA0402.20CXBL	SCREW.....	81	M0730.8A7 DECAL.....	67
AA0403.1CAZ	SCREW.....	87	M1600.8A7MAW WINDSCREEN KIT.....	65
AA0404.21CXDZ	SCREW.....	39	M1662.8A7MAW FENDER.....	65
AA0406.11CXVB	SCREW.....	61	M1664.8A7MAW FAIRING.....	63
AA0406.21CJXZB	SCREW.....	65	N0163.9 LABEL.....	85
AA0406.2CXBL	SCREW.....	23	N1202.T LEVER.....	39
AA0408.1CLAZ	SCREW.....	41	P1109.8A7MAW COVER KIT.....	65
AA0410.2CXBL	SCREW.....	23	P1109.8A7MW COVER KIT.....	65
AA0412.21CRXZ	SCREW.....	25	P1110.TC FUEL TANK ASSEMBLY KIT.....	69
AA0412.21CRXZ	SCREW.....	27	P1600.T FUEL VALVE.....	69
AA0412.21CRXZ	SCREW.....	41		

## NUMERICAL INDEX

PART NO. ....	PAGE	PART NO. ....	PAGE	PART NO. ....	PAGE	PART NO. ....	PAGE
10053.....	63	18023-87.....	7	26432-76A.....	7	31530-90.....	29
10053.....	79	18058-00Y.....	7	26434-91.....	19	31532-94.....	71
10080.....	13	18113-96YA.....	7	26495-89B.....	19	31537-98.....	29
10080.....	71	18130-83D.....	7	26496-75A.....	19	31556-91B.....	29
10117.....	17	18133-83B.....	7	26502-07.....	19	31599-91.....	29
1039.....	9	18201-83.....	7	26503-07.....	19	31600-90.....	29
11002.....	19	18202-83.....	7	26554-77A.....	71	31603-91.....	29
11019.....	33	18219-83A.....	7	26554-77A.....	83	31661-90.....	29
11031.....	33	18222-83A.....	7	27042-84A.....	87	31662-90.....	29
11046.....	35	18229-83A.....	7	27047-84B.....	87	31688-90.....	29
11067.....	31	18532-00A.....	9	27100-88.....	21	31689-90.....	29
11105.....	15	18538-99B.....	9	27101-88.....	21	31695-90.....	29
11116.....	29	19284-06.....	7	27115-88.....	21	32335-04.....	27
11124.....	17	215.....	17	27130-90.....	21	32340-00Y.....	27
11161.....	31	21920-83.....	11	27136-90A.....	21	32341-00YA.....	27
11165.....	31	21921-83.....	11	27138-90.....	69	32413-92B.....	25
11177A.....	11	21922-83.....	11	27138-90.....	87	32495-98.....	83
11177A.....	13	21923-83.....	11	27146-89.....	21	32606-82.....	27
11179.....	59	21924-83.....	11	27171-89.....	21	32617-00Y.....	13
11185.....	33	22265-00Y.....	13	27261-96.....	21	32687-00YA.....	27
11190.....	9	22589-83B.....	11	27262-96.....	21	3275.....	21
11250.....	35	22662-99Y.....	7	27263-96.....	21	3299Y.....	9
11289.....	81	22676-98Y.....	11	27317-88.....	21	3301Y.....	15
11317.....	17	22677-98Y.....	11	27371-76A.....	21	3301Y.....	37
11730A.....	35	22678-98Y.....	11	27404-00YA.....	21	33117-91A.....	71
11765Y.....	35	22765-88.....	11	27441-00Y.....	21	33154-00Y.....	71
12030.....	31	23921-00Y.....	11	27443-00Y.....	21	33294-00Y.....	33
12067B.....	31	24047-00.....	17	27444-00Y.....	21	33319-90.....	33
16478-85A.....	7	24331-36.....	11	27575-88A.....	21	33344-94.....	31
16480-92A.....	7	24332-36.....	11	27576-92.....	21	33634-91.....	33
16573-83.....	7	24349-00Y.....	15	27577-92.....	21	33652-90.....	33
16715-83.....	7	24350-00Y.....	15	27579-88A.....	21	33653-90.....	33
16770-84D.....	7	24414-00Y.....	13	27585-88.....	21	33655-90.....	33
16774-86D.....	7	24530-90.....	33	27586-88.....	21	33656-90A.....	33
16800-84A.....	9	24647-87.....	13	27587-88.....	21	33900-99.....	83
16832-86C.....	7	24650-87.....	13	27636-00Y.....	21	34015-91.....	33
16855-00Y.....	7	24658-87.....	11	27638-00Y.....	21	3403.....	29
17036-91.....	9	24659-87.....	13	27672-02.....	21	34073-91.....	33
17054-00YB.....	7	24660-87.....	13	27781-00Y.....	21	34075-89.....	33
17055-00YA.....	7	24729-74.....	13	27782-00Y.....	21	34076-89.....	33
17360-83A.....	9	24754-75A.....	13	27783-00Y.....	21	34077-91.....	33
17362-07.....	9	25196-00YB.....	17	27784-00Y.....	21	34142-89C.....	33
17375-83A.....	9	25349-03.....	15	27785-00Y.....	21	34144-89C.....	33
17428-57.....	9	25352-00YA.....	15	27786-00Y.....	21	34147-89C.....	33
17598-07.....	9	25353-00YA.....	17	27787-00Y.....	21	34481-91A.....	33
17605-00YA.....	9	25377-03A.....	15	27788-00Y.....	21	34483-90.....	33
17606-00YA.....	9	25409-94B.....	35	27886-78A.....	21	34486-90.....	33
17607-00Y.....	9	25453-87A.....	35	29059-88A.....	23	34491-91.....	33
17607-00Y.....	23	25521-00Y.....	15	29950-91.....	13	34492-91.....	33
17608-00Y.....	9	25586-37.....	17	29967-89B.....	25	34560-91.....	33
17611-83.....	9	25588-91.....	17	3029.....	25	34920-86A.....	35
17695-07.....	9	25593-74.....	17	31328-91.....	29	35020-89.....	31
17984-00YA.....	9	25598-91.....	17	31390-91E.....	29	35021-89.....	31
17985-00Y.....	9	25756-02.....	17	31488-81B.....	29	35022-89A.....	31
17986-00Y.....	9	2611C.....	27	31504-91B.....	83	35030-89.....	31
18001-83B.....	7	26204-91A.....	19	31515-90.....	29	35034-94.....	31
18020-87A.....	7	26239-07.....	19	31518-90.....	29	35038-89.....	31
18022-96YA.....	7	26318-88A.....	17	31525-90.....	29	35051-89.....	31

## NUMERICAL INDEX

PART NO. ....	PAGE	PART NO. ....	PAGE	PART NO. ....	PAGE	PART NO. ....	PAGE
35063-89.....	31	4718A.....	9	72143-94.....	81	A0525.2CBL.....	59
35151-74A.....	13	4751.....	25	72144-94.....	83	A0540.2CBL.....	59
35211-91B.....	37	4765.....	19	72146-94.....	21	A0622.21CBL.....	59
3559.....	29	4820A.....	15	72146-94.....	27	A0845.1CXZ.....	39
35633-94.....	31	4820A.....	17	72163-94GY.....	81	A0855.1CXZ.....	39
35640-89.....	31	48300-60.....	47	72190-94.....	21	A1050.1CZ.....	51
35641-89.....	31	48315-60.....	47	72190-94.....	27	AA0402.20CXBL.....	81
35762-89A.....	31	48345-60.....	53	72190-94.....	81	AA0403.1CAZ.....	87
35763-89A.....	31	48361-80.....	47	72190-94.....	83	AA0404.21CRXZ.....	71
35771-94.....	31	50005-85A.....	53	72195-94.....	21	AA0404.21CRZ.....	41
35772-94.....	31	515.....	33	72195-94.....	27	AA0404.21CRZ.....	63
35773-94.....	31	5226B.....	33	72195-94.....	83	AA0404.21CRZ.....	79
35775-94.....	31	59259-90.....	79	72199-94.....	21	AA0404.21CXDZ.....	39
35796-00.....	31	6003.....	31	72199-94.....	27	AA0405.21CJLZB.....	23
35797-00.....	31	601.....	33	72199-94.....	81	AA0405.21CZ.....	65
358.....	13	60328-98A.....	15	72199-94.....	83	AA0405.2CBL.....	77
3594.....	37	6099.....	33	74431-01B.....	81	AA0405.2CXZB.....	33
3594.....	81	6157.....	19	74599-77B.....	83	AA0406.11CVB.....	65
36703-00Y.....	35	62338-01Y.....	71	7602.....	83	AA0406.11CXVB.....	61
36708-00Y.....	35	62340-01Y.....	13	7629.....	83	AA0406.1CZ.....	63
36715-94.....	35	62361-94.....	71	7638.....	83	AA0406.21CJXZB.....	65
3675.....	31	62375-57A.....	17	7683.....	33	AA0406.21CRZ.....	53
36799-91.....	35	62854-00Y.....	19	7804.....	15	AA0406.21CRZ.....	69
36800-00Y.....	35	62855-00Y.....	19	7804.....	37	AA0406.21CRZ.....	75
36802-84B.....	35	6288.....	83	7839.....	37	AA0406.2CXBL.....	23
37101-84A.....	15	62902-00Y.....	13	7900.....	69	AA0408.11CDBL.....	41
37101-84A.....	33	6314W.....	13	7916A.....	17	AA0408.11CDBL.....	61
37495-91.....	35	63500-68.....	23	876A.....	13	AA0408.1CLAZ.....	41
37870-91.....	35	63500-68.....	71	879A.....	13	AA0410.2CXBL.....	23
37872-90.....	35	63500-68.....	87	882.....	9	AA0412.21CRXZ.....	25
37904-90.....	35	63501-68A.....	17	8871.....	29	AA0412.21CRXZ.....	27
37905-00.....	35	63501-68A.....	21	8873.....	35	AA0412.21CRXZ.....	41
37908-90.....	35	63501-68A.....	69	8876A.....	31	AA0502.20CXZB.....	53
37909-90.....	35	63501-68A.....	71	8879.....	29	AA0502.20CXZB.....	63
37911-90.....	35	63533-41A.....	13	8881.....	13	AA0504.3CBL.....	77
37912-91.....	35	63533-41A.....	19	8883.....	29	AA0507.2CXZ.....	55
37913-90.....	35	63806-00Y.....	71	8885.....	35	AA0508.2CBL.....	59
37918-91.....	35	63858-49.....	9	8977.....	31	AA0516.1CZ.....	73
3849.....	9	65324-83A.....	73	8996A.....	31	AA0516.2CZB.....	73
38616-00YA.....	59	65325-83A.....	73	8998.....	31	AA0520.2CXZB.....	57
39922-00Y.....	15	65328-83.....	73	9077.....	29	AA0520.2CZ.....	73
39922-00Y.....	37	65948-00.....	75	9142.....	13	AA0608.1CZ.....	77
39934-00Y.....	15	67121-95.....	81	9143.....	13	AA0608.2CZ.....	41
40005-57B.....	37	67713-86.....	77	9144.....	13	AA0609.2CXZ.....	55
40218-00Y.....	37	67854-98.....	81	9145.....	13	AA0610.1CXZ.....	53
40235-89A.....	37	67880-94.....	81	9146.....	13	AA0612.1CZ.....	55
40240-89.....	37	68169-90A.....	79	9147.....	13	AA0614.1CXAZ.....	55
40251-92A.....	37	70187-82A.....	27	9148.....	13	AA0616.1CZ.....	55
40520-63.....	15	70227-99.....	83	9149.....	13	AA0618.1CZ.....	55
4091.....	13	70578-89.....	75	9151.....	33	AA0636.2CZ.....	13
4132.....	19	720.....	13	9155.....	13	AA0718.1CXZ.....	55
4312B.....	75	72016-73C.....	41	9187.....	33	AA0726.2CZ.....	55
43157-83A.....	43	72023-51C.....	83	928.....	29	AN0604.14CDBL.....	23
43157-83A.....	45	72046-79.....	83	929A.....	29	AN0604.2CXZB.....	59
43692-94Y.....	43	72070-94Y.....	83	943.....	15	AN0806.3CBL.....	65
43692-94Y.....	45	72104-94BK.....	83	9905.....	83	AN1004.21FRZ.....	53
45830-48.....	13	72106-94BK.....	21	9989A.....	83	AN1004.21FRZ.....	83
45902-00.....	29	72106-94BK.....	27	9991A.....	21	AN1004.3FSS.....	69

## NUMERICAL INDEX

PART NO. ....	PAGE	PART NO. ....	PAGE	PART NO. ....	PAGE	PART NO. ....	PAGE
AN1005.21FRZ. ....	41	C0266.8A7. ....	85	G0500.01A7. ....	37	J0120.TR. ....	49
AN1005.5FSS. ....	69	C0323.5A8. ....	85	G0555.T. ....	61	J8121.T. ....	49
AN1006.21FZ. ....	63	C0411.T. ....	71	G0556.01A7. ....	37	J8122.T. ....	49
AN1008.2CBL. ....	83	C0507.T. ....	41	G0556.01A7. ....	61	J8123.T. ....	49
AN1008.2CZ. ....	83	C0511.T. ....	71	G1110.TWAX. ....	43	J8124.T. ....	49
B0800.4Z. ....	79	C0512.T. ....	23	G1309.TWAX. ....	45	J8125.T. ....	49
B0814.1BL. ....	77	C0513.T. ....	73	H0020.T. ....	39	J8126.T. ....	49
B1000.4Z. ....	79	C0518.T. ....	81	H0021.T. ....	39	J8127.T. ....	49
B2033.8Z. ....	45	C0527.2. ....	83	H0022.F. ....	39	J8128.T. ....	49
B2037.1Z. ....	45	C0540.9. ....	23	H0022.F. ....	41	J8129.T. ....	49
BA0409.1Z. ....	23	C0540.9. ....	71	H0023.F. ....	39	J8130.T. ....	49
BA0409.1Z. ....	53	C0900.9. ....	69	H0024.F. ....	41	J8132.T. ....	49
BA0409.1Z. ....	63	C0902.B. ....	39	H0026.F. ....	41	J8133.T. ....	49
BA0409.6BL. ....	61	CA0002.T. ....	59	H0027.TA. ....	41	J8134.T. ....	49
BA0409.6BL. ....	65	CA0004.T. ....	37	H0030.T. ....	41	J8135.T. ....	49
BA0416.1Z. ....	79	CA0005.T. ....	43	H0033.T. ....	41	J8136.T. ....	49
BA0511.2Z. ....	37	CA0005.T. ....	45	H0034.T. ....	41	J8138.T. ....	49
BA0511.2Z. ....	39	CA0006.TA. ....	59	H0035.9. ....	39	J8140.T. ....	49
BA0511.2Z. ....	41	CA0007.T. ....	83	H0035.F. ....	41	J8160.T. ....	49
BA0511.2Z. ....	55	CA0200.R. ....	39	H0040.F. ....	41	J9128.T. ....	49
BA0511.2Z. ....	73	CB0001.T. ....	55	H0041.F. ....	41	J9135.T. ....	47
BA0613.2Z. ....	13	CB0002.T. ....	57	H0052.T. ....	39	J9136.T. ....	47
BA0613.2Z. ....	53	CB0003.T. ....	55	H0053.T. ....	39	J9137.T. ....	47
BA0613.2Z. ....	55	CB0004.T. ....	43	H0053.T. ....	41	J9146.T. ....	49
BA0613.2Z. ....	77	CD0001.T. ....	59	H0055.9. ....	39	J9147.T. ....	49
BA0613.3Z. ....	55	CD0002.T. ....	57	H0102.TA. ....	41	K0158.T. ....	57
BA0714.3Z. ....	55	CD0003.T. ....	77	H0105.F. ....	41	K0200.T. ....	57
BA1120.2Z. ....	43	D0600.2CZ. ....	79	H0106.F. ....	41	K0410.T. ....	51
BN1007.1Z. ....	83	D0800.4FZ. ....	79	H0107.F. ....	41	K1100.8A7. ....	57
C0122.T. ....	63	D1000.2CZ. ....	51	H0110.T. ....	39	K1101.8A7. ....	57
C0124.T. ....	63	D1000.4FZ. ....	79	H0150.T. ....	45	K1102.8A7. ....	57
C0129.L. ....	59	D1600.1FXZ. ....	43	H0205.TC. ....	41	K9114.T. ....	51
C0130.L. ....	59	DA0400.3CZ. ....	87	H0206.T. ....	41	K9115.T. ....	51
C0143.T. ....	53	DA0500.10CZ. ....	73	H0300.T. ....	39	K9116.T. ....	51
C0144.T. ....	55	DA0500.12FZ. ....	73	H0301.T. ....	41	K9117.T. ....	51
C0144.T. ....	59	DA0600.11CZ. ....	13	H0405.9B. ....	39	K9118.T. ....	51
C0145.T. ....	59	DA0600.13CZ. ....	53	H0405.9B. ....	41	K9119.T. ....	51
C0146.T. ....	81	DA0600.2CZ. ....	55	H0412.01A0. ....	39	L0106.TA. ....	53
C0147.T. ....	53	DA0600.2CZ. ....	77	H0412.01A0. ....	41	L0149.T. ....	55
C0148.T. ....	41	DA0700.13CZ. ....	55	H0417.T. ....	39	L0150.T. ....	55
C0148.T. ....	53	DA0700.4FZ. ....	63	H0503.T. ....	41	L0151.T. ....	55
C0149.T. ....	59	DN1000.2CZ. ....	71	H0522.TD. ....	41	L0159.TA. ....	55
C0152.T. ....	83	DN1000.2CZ. ....	83	H0531.TB. ....	39	L0165.TA. ....	53
C0154.T. ....	73	DN1000.2FZ. ....	63	H1201.T. ....	43	L0178.K. ....	13
C0156.TA. ....	83	E0001.T. ....	43	H9205.T. ....	41	L0184.TA. ....	53
C0157.T. ....	23	E6204. ....	45	HO0203.8B. ....	23	L0194.TA. ....	53
C0158.TA. ....	53	E6204. ....	57	HO0203.8B. ....	87	L0333.L. ....	55
C0159.TA. ....	53	G0113.01A7. ....	43	HS0001.T. ....	87	L0333.L. ....	69
C0163.T. ....	63	G0120.T. ....	43	HS0431.B. ....	21	L0500.T. ....	55
C0178.3A8B. ....	85	G0125.T. ....	43	HS0432.B. ....	69	L0501.T. ....	55
C0205.T. ....	73	G0150.T. ....	43	HS0604.T. ....	23	L0502.T. ....	55
C0206.T. ....	73	G0311.T. ....	45	HS0605.T. ....	23	L0503.T. ....	55
C0230.T. ....	63	G0321.T. ....	45	HS0607.T. ....	71	L1013.02A8. ....	85
C0232.TA. ....	41	G0323.T. ....	45	HS0801.T. ....	87	L2127.TA. ....	53
C0234.TA. ....	53	G0324.T. ....	45	J0101.T. ....	47	L2132.TA. ....	53
C0235.TA. ....	53	G0327.T. ....	45	J0105.T. ....	47	L2148.T. ....	53
C0264.8A7. ....	85	G0350.T. ....	45	J0106.T. ....	47	L2149.T. ....	53
C0265.8A7. ....	85	G0420.01A7. ....	37	J0120.TL. ....	49	L2500.02A7A. ....	53

## NUMERICAL INDEX

PART NO. ....	PAGE	PART NO. ....	PAGE	PART NO. ....	PAGE	PART NO. ....	PAGE
L2501.02A7A. ....	53	M1664.8A7MAW. ....	63	P0152.2. ....	69	Y0302.T. ....	25
M0078.K. ....	63	M1664.TMW. ....	63	P0153.T. ....	69	Y0303.2B. ....	83
M0080.T. ....	53	N0002.M. ....	59	P0156.2. ....	69	Y0303.2B. ....	87
M0080.T. ....	63	N0050.K. ....	59	P0170.TA. ....	69	Y0305.8B. ....	69
M0082.9. ....	53	N0051.K. ....	59	P0171.T. ....	69	Y0305.8B. ....	87
M0082.9. ....	63	N0053.K. ....	59	P0213.T. ....	23	Y0307.TA. ....	55
M0083.9. ....	53	N0104.TA. ....	59	P0241.T. ....	23	Y0308.TA. ....	77
M0083.9. ....	63	N0110.8. ....	41	P0301.8. ....	69	Y0320.TB. ....	75
M0119.8A. ....	65	N0110.8. ....	55	P0313.T. ....	65	Y0321.TA. ....	75
M0125.T. ....	63	N0110.8. ....	59	P0316.T. ....	69	Y0355.4. ....	83
M0126.T. ....	63	N0110.8. ....	61	P0557.T. ....	23	Y0356.4. ....	83
M0127.TA. ....	63	N0158.TA. ....	59	P0561.T. ....	23	Y0357.3A. ....	83
M0128.TA. ....	63	N0159.TA. ....	59	P0563.T. ....	23	Y0358.3A. ....	83
M0129.T. ....	49	N0163.9. ....	85	P0715.T. ....	23	Y0360.2. ....	83
M0332.TA. ....	53	N0200.T. ....	39	P1109.8A7MAW. ....	65	Y0400.T. ....	77
M0333.T. ....	53	N0203.9. ....	39	P1109.8A7MW. ....	65	Y0401.D. ....	79
M0333.T. ....	69	N0210.R. ....	39	P1110.TC. ....	69	Y0401A.D. ....	79
M0348.T. ....	59	N0220.T. ....	39	P1220.T. ....	23	Y0401C.2. ....	79
M0550.TA. ....	61	N0259.9. ....	39	P1600.T. ....	69	Y0500.01A7. ....	81
M0560.T. ....	61	N0307.KA. ....	59	Q0001.TA. ....	71	Y0501.01A7. ....	81
M0602.0. ....	65	N0308.KA. ....	59	Q0103.9A. ....	23	Y0503.K. ....	79
M0603.4. ....	65	N0405.T. ....	53	Q0103.9A. ....	71	Y0504.K. ....	79
M0660.T. ....	81	N0501.TA. ....	41	Q0111.T. ....	71	Y0526.K. ....	79
M0671.TA. ....	77	N0502.T. ....	53	Q0123.0. ....	21	Y0527.K. ....	79
M0672.TA. ....	77	N0503.T. ....	53	Q0123.0. ....	71	Y0621.MA. ....	79
M0673.K. ....	79	N0505.T. ....	41	S0110.T. ....	73	Y0723.T. ....	83
M0693.T. ....	65	N0510.D. ....	33	S0114.T. ....	73	Y0724.T. ....	83
M0694.T. ....	65	N0513.T. ....	41	S0117.T. ....	73	Y0732.T. ....	83
M0695.T. ....	65	N0516.T. ....	39	S0156.T. ....	73	Y0802.T. ....	83
M0705.3. ....	61	N0516.T. ....	41	T0225.T. ....	33	Y0810.9. ....	39
M0705.3. ....	65	N0517.T. ....	41	Y0011.K. ....	83	Y0820.9. ....	59
M0720.C. ....	23	N0549.BA. ....	33	Y0016.T. ....	83	Y9000.T. ....	77
M0721.T. ....	65	N0601.TA. ....	33	Y0039.K. ....	79	Y9001.T. ....	77
M0729.8A7. ....	67	N1102.T. ....	59	Y0040.K. ....	79	Y9002.T. ....	77
M0730.8A7. ....	67	N1202.T. ....	39	Y0041.K. ....	79	Y9003.T. ....	77
M0745.6A7. ....	67	N2161.9. ....	59	Y0042.K. ....	79	Y9004.T. ....	77
M0755.TA. ....	63	P0044.T. ....	55	Y0101.T. ....	75	Y9005.T. ....	77
M0755.TA. ....	79	P0044.T. ....	69	Y0102.T. ....	75	Y9006.T. ....	77
M1600.6A7MW. ....	65	P0106.8. ....	69	Y0200.01A7. ....	83	Y9007.T. ....	77
M1600.8A7MAW. ....	65	P0107.8C. ....	69	Y0211.K. ....	83	YH033.T. ....	81
M1662.8A7MAW. ....	65	P0114.8B. ....	69	Y0300.T. ....	27	YH350.TA. ....	79
M1662.TMW. ....	65	P0151.2A. ....	69	Y0301.CB. ....	83		

2007 BUELL® PARTS CATALOG

# P3 BLAST® MODEL



**Buell Motorcycle Company**  
**Service Communications • Milwaukee, WI 53208**  
**Printed in the U.S.A.**

