

READERS COMMENTS

The Buell Distribution Corporation maintains a continuous effort to improve the quality and usefulness of its publications. To do this effectively we need user feedback — your critical evaluation of this manual.

Please comment on this manual's completeness, accuracy, organization, usability and readability.

Should you find errors in this manual, please list the page, item and part numbers.

How can this manual be improved?

Occupation:

Name

Dealership

Street

Department

City

State

Zip

2003 Firebolt XB9R
Parts Catalog
99574-03Y

Clip out and mail to:
Buell Distribution Corporation
P.O. Box 653
Milwaukee, WI 53201

CUT HERE

GENERAL INFORMATION

This Parts Catalog has been prepared for your convenience when ordering parts for the 2003 Firebolt XB9R motorcycle.

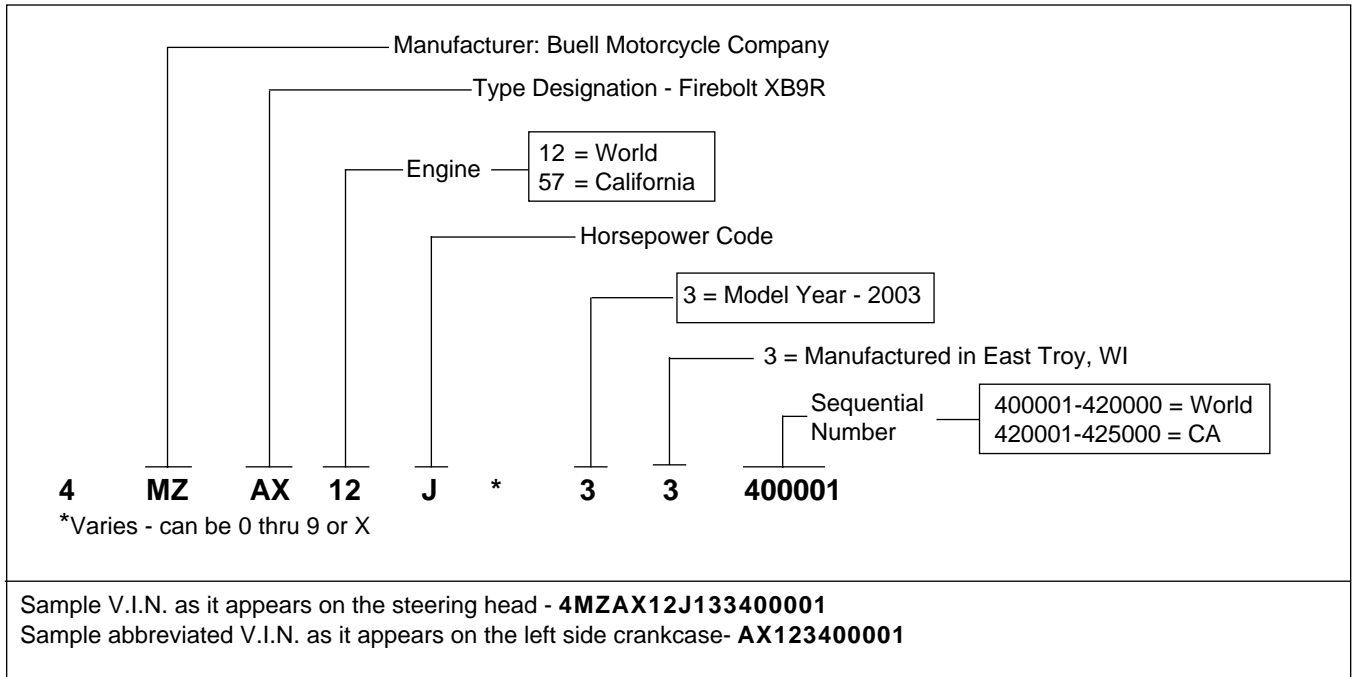
Prices of parts listed in this catalog are published separately.

The following instructions should be followed carefully when ordering parts.

- An asterisk (*) in the "MODELS" column indicates the part is used through the current model year.
- When a part is revised during the model year the early version part will be marked in the MODELS column with 'E' followed by the model year in which the change occurred. This indicates the part was used early in the model year. The latest version of the part will be marked in the MODELS column with 'L' followed by the model year in which the change occurred. This indicates the part was used late in the model year
- Index numbers shown in the illustrations correspond to index numbers in parts lists. The number in parenthesis following the description of parts is the quantity needed for complete assembly. If there is no number in parenthesis, only one is used.
- Specify the correct part number for each item. Check the "MODELS" column of the parts list which shows the model on which the part fits. Whenever in doubt, refer to the Vehicle Identification Number (V.I.N.) stamped on the frame and engine crankcase.

• VEHICLE IDENTIFICATION NUMBER

The full 17 digit serial or Vehicle Identification Number (V.I.N.) is stamped on the steering head and on an information plate at the same location. A Motor Identification Number is stamped on the left side crankcase near the front of the engine.



Orders may be placed via your computer for all parts. Please review your system documentation for details on placing orders electronically. All non-warranty replacement crankcase orders require return of the complete left crankcase half with V.I.N. All non-warranty replacement frame orders require return of the steering neck with V.I.N. Non-compliance will result in a fine. See non-warranty frame and crankcase policy or contact your SPOC team for details.

THIS IS NOT AN ASSEMBLY MANUAL AND SHOULD NOT BE USED AS SUCH.

PATENT NOTICE

Buell products are manufactured under one or more of the following patents: U.S. Patents - 4776432, 4951774, 4964484, 4959696, 5209319, 5294702, 5303795, 5332246, 5435584, 6105701, 6213238, 6213240, 6267193, D440190.

To the best knowledge of Buell Motorcycle Co., the material contained herein is accurate as of the date this publication was approved for printing. Buell Motorcycle Co. reserves the right to change specifications, equipment, or designs at any time without notice and without incurring obligation.

©COPYRIGHT 2002 BY BUELL DISTRIBUTION CORPORATION, ALL RIGHTS RESERVED

Printed in U.S.A.

ALPHABETICAL INDEX

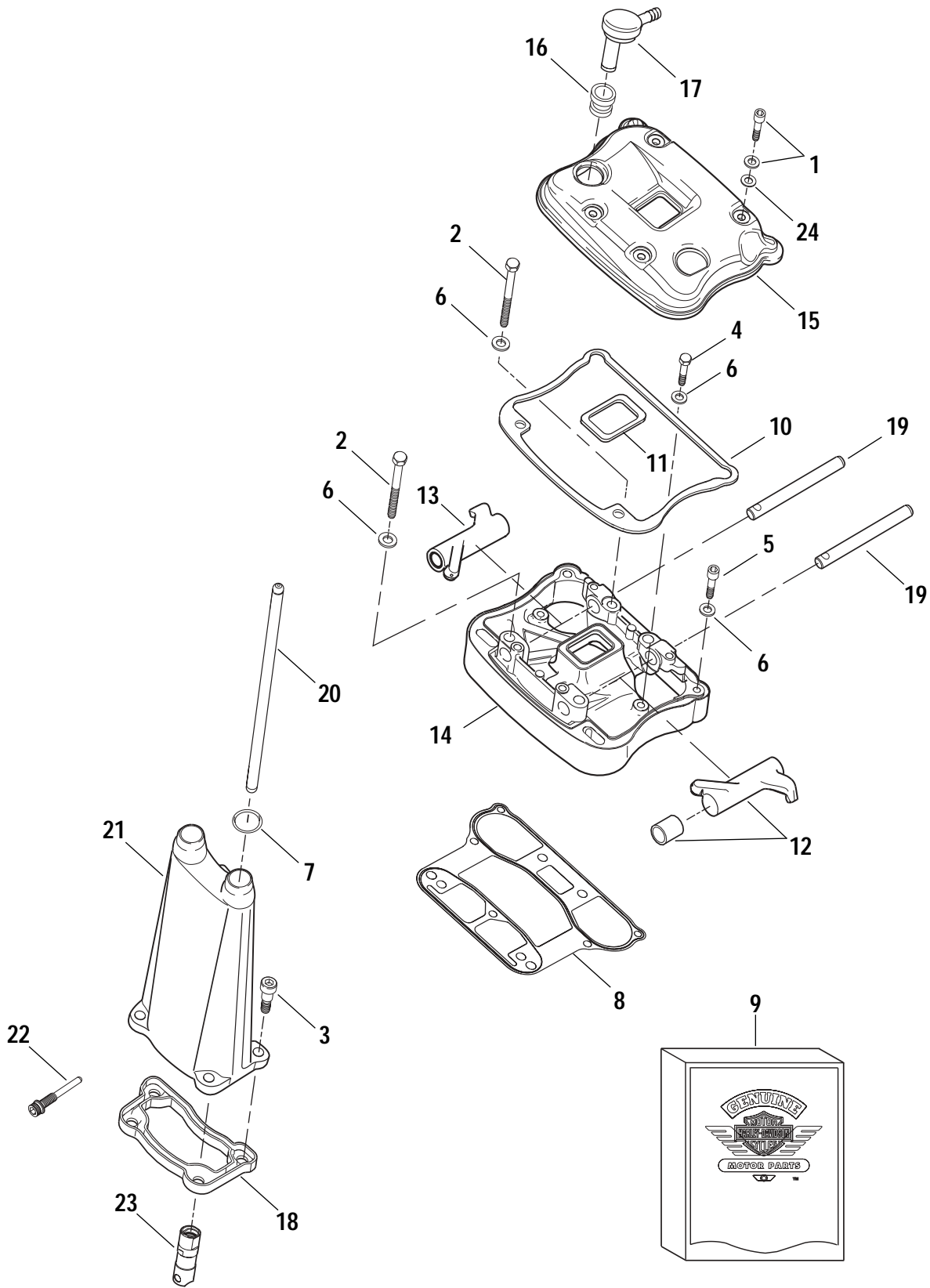
DESCRIPTION	PAGE	DESCRIPTION	PAGE
Air Cleaner.....	21	Fork, front.....	47
Air Scoop.....	77	Frame.....	51
Alternator.....	23	Fuel Pump.....	69
Axle, front.....	41	Fuel Tank.....	69
Axle, rear.....	43	Fuses.....	89
Battery.....	75	Gasket Kits.....	5, 7
Battery Cables.....	75	Gearcase, cams.....	15
Belt Guard, lower.....	59	Glossary.....	90
Belt Guard, upper.....	59	Handlebars.....	57
Belt, rear.....	35	Hardware Listing.....	85, 86
Bracket, fairing support.....	81	Headlights.....	77
Brake Caliper, front.....	37	Horn.....	77
Brake Caliper, rear.....	39	Hydraulic Lifters.....	7
Brake Control, front.....	37	Idle Pulley.....	35
Brake Control, rear.....	39	Ignition Coil.....	25
Brake Line, front.....	37	Ignition Switch.....	89
Brake Line, rear.....	39	Induction Module.....	19
Brake Pads.....	37, 39	Instrument Cluster.....	81
Brake Rotor, front.....	41	Intake Air Cover.....	63
Brake Rotor, rear.....	43	Intake Manifold.....	19
Bulb, taillight.....	79	Keys, ignition.....	89
Cable, clutch control.....	57	Lever, front master cylinder.....	37
Cable, throttle control.....	57	Lever, transmission gear shift.....	31
California Evaporative Emissions Components.....	91	License Plate Bracket.....	79
Cam Bushings.....	15	Lock, ignition.....	89
Cam Gears.....	15	Master Cylinder, front.....	37
Carrier, fuse block.....	65	Master Cylinder, rear.....	39
Chain, primary.....	35	Mirrors.....	65
Chin Fairing, center.....	63	Muffler.....	73
Chin Fairing, LH.....	63	Numerical Index.....	93, 94, 95
Chin Fairing, RH.....	63	Oil Filter.....	71
Circuit Breakers.....	89	Oil Pressure Switch.....	71
Clutch.....	33	Oil Pump.....	17
Clutch Cable.....	57	Oil Tank Filler Plug.....	55
Clutch Lever.....	57	PCV Valve.....	7
Connecting Rod & Bearings.....	9	Piston & Piston Rings.....	5, 9
Cover, clutch.....	13	Primary Cover.....	13
Covers, rocker arm.....	7	Push Rods & Cover.....	7
Crankcase.....	11	Reflectors.....	79
Cylinder Head.....	5	Regulator.....	23
Cylinder, engine.....	5	Relay, ignition.....	89
Decals.....	67	Relay, starter.....	89
Electrical Connectors.....	89	Rocker Arms & Cover.....	7
Electrical Switches.....	89	Seat.....	61
Engine Control Module.....	25	Sensor, bank angle.....	89
Engine Mounts.....	53	Sensor, vehicle speed.....	89
Engine, complete.....	5	Shifter.....	31
Exhaust System.....	73	Shock Absorber, rear.....	49
Fairing, front.....	65	Side Stand.....	51
Fan.....	77	Spark Plug.....	25
Fan Shroud, LH.....	77	Speedometer.....	81
Fan Shroud, RH.....	77	Sprocket Covers.....	59
Fender, front.....	63	Sprockets.....	33, 35
Fender, rear.....	59	Starter Motor.....	27
Filter, air.....	21	Steering Head.....	45
Filter, engine oil.....	71	Swingarm.....	55
Flasher, turn signals.....	79	Switch, front brake.....	37
Flywheel.....	9	Switch, rear brake light.....	39
Footpeg.....	51	Switches.....	89

ALPHABETICAL INDEX

DESCRIPTION	PAGE	DESCRIPTION	PAGE
Switches, handlebar	57		
Switches, ignition	89		
Switches, sidestand	51		
Tail Lamp	79		
Tail Section	61		
Throttle Control	57		
Throttle Position Sensor	25		
Timer Cover	25		
Transmission Gears	29		
Turn Signals	79		
Valves & Guides	5		
Voltage Regulator	23		
Wheel, front	41		
Wheel, rear	43		
Windscreen	65		
Wiring & electrical connectors	89		
Wiring harness, main	83, 85		
Wiring harness, rear lamps	79		

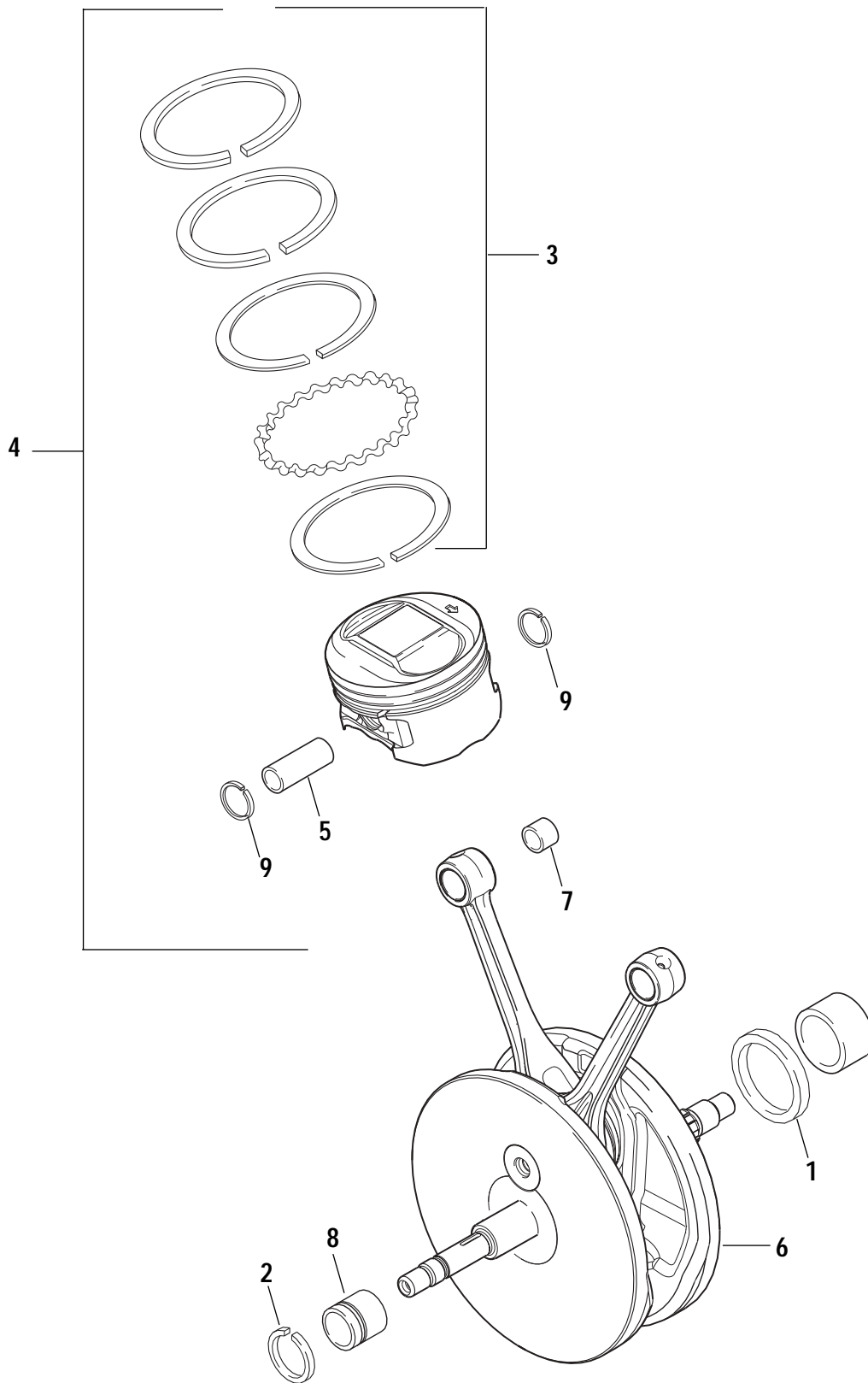
INDEX NO.	PART NO.	DESCRIPTION	MODELS
	16032-02	ENGINE ASM. w/out front isolator mount attached (not illustrated)	2003-XB9R
1	16478-85A	SCREW, internal thread (4)	2003-XB9R
2	16480-92	SCREW, internal thread (4)	2003-XB9R
3	16573-83	INSERT, cylinder stud (4)	2003-XB9R
4	16715-83	STUD, exhaust port (4)	2003-XB9R
5	16770-84D	GASKET, cylinder head (2)	2003-XB9R
6	16774-86D	GASKET, cylinder base (2)	2003-XB9R
7	16832-86C	STUD, cylinder base (8)	2003-XB9R
8	16872-02	HEAD ASM., front cylinder - w/ valve guides & seats	2003-XB9R
	16875-02	HEAD ASM., rear cylinder - w/ valve guides & seats	2003-XB9R
9	17058-02	GASKET KIT, engine overhaul	2003-XB9R
	17059-02	GASKET KIT, top overhaul	2003-XB9R
	17036-91	GASKET KIT, rocker covers	2003-XB9R
10	18094-02	COLLAR/SEAL, valve stem (4)	2003-XB9R
11	18020-83	SEAT, intake valve (2)	2003-XB9R
	18011-86	SEAT, exhaust valve (2)	2003-XB9R
	18690-02	VALVE, intake (2)	2003-XB9R
12	18691-02	VALVE, exhaust (2)	2003-XB9R
13	16461-02	VALVE GUIDE, intake & exhaust (4)	2003-XB9R
14	18245-02	SPRING, valve (4)	2003-XB9R
15	18258-02	COLLAR, valve spring - upper (4)	2003-XB9R
16	18260-02	RETAINER, valve collar (8)	2003-XB9R
17	22710-02	CYLINDER w/ piston & rings	2003-XB9R
18	26432-76A	O-RING, cylinder stud insert (4)	2003-XB9R
		INTERNATIONAL ONLY	
	16032-02	ENGINE ASM. w/ out front isolator mount attached (not illustrated) (AUS, ENG, EUR, JPN)	2003-XB9R

ROCKER ARMS, COVERS & PUSH RODS



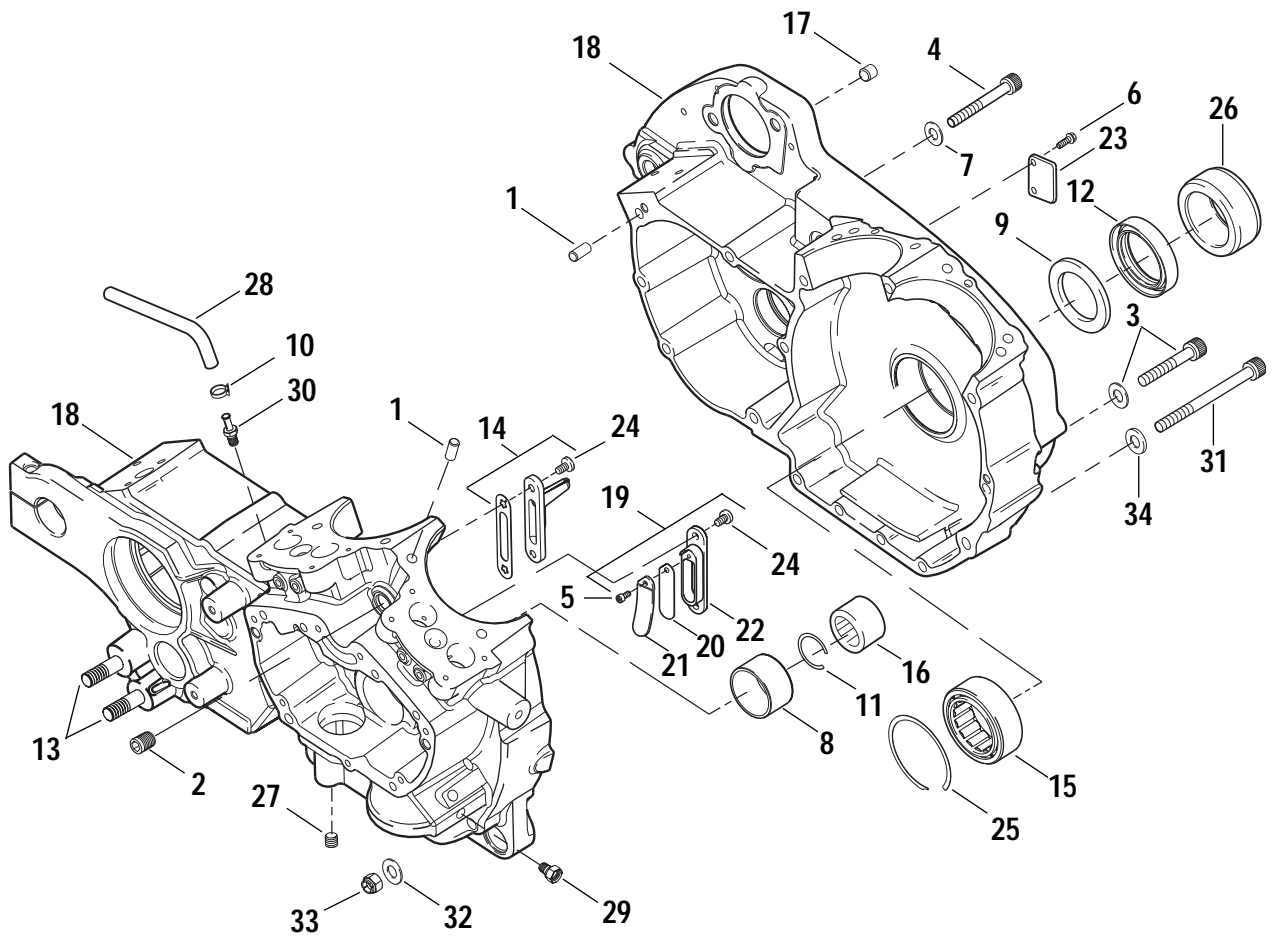
INDEX NO.	PART NO.	DESCRIPTION	MODELS
1	882	SCREW (8)	2003-XB9R
2	1039	SCREW, hex flange head w /locker (8)	2003-XB9R
3	3299Y	SCREW w/ washer (8)	2003-XB9R
4	3997A	BOLT (6)	2003-XB9R
5	4718A	BOLT w/ washer (8)	2003-XB9R
6	6736	WASHER (6)	2003-XB9R
7	11190	O-RING, push rod cover - upper (4)	2003-XB9R
8	16800-84	GASKET, rocker cover/cylinder head, valve & push rod sides (2)	2003-XB9R
9	17036-91	GASKET KIT, rocker covers w/ # 8,11, 12 & 26	2003-XB9R
10	17353-89	GASKET, rocker cover - lower (2)	2003-XB9R
11	17358-84A	GASKET, rocker cover - inner (2)	2003-XB9R
12	17360-83A	ROCKER ARM ASM., w/ bushing, front intake & rear exhaust (2)	2003-XB9R
13	17375-83A	ROCKER ARM ASM., w/ bushing, rear intake & front exhaust (2)	2003-XB9R
14	17598-97Y	ROCKER COVER, inner (2)	2003-XB9R
15	17605-00YA	ROCKER COVER, top front	2003-XB9R
16	17606-00Y	GROMMET (2)	2003-XB9R
17	17607-00Y	PCV VALVE (2)	2003-XB9R
18	17608-00Y	GASKET, push rod cover front	2003-XB9R
19	17611-83	SHAFT, rocker arm (4)	2003-XB9R
	17642-02	ROCKER COVER, top rear (not illustrated)	2003-XB9R
	17649-02	GASKET, rear push rod cover (not illustrated)	2003-XB9R
20	17908-02	PUSH ROD, exhaust (2)	2003-XB9R
	17909-02	PUSH ROD, intake (2)	2003-XB9R
	17979-02	COVER, push rod, rear (not illustrated)	2003-XB9R
21	17986-00Y	COVER, push rod, front	2003-XB9R
22	18532-00A	SCREW, tappet anti-rotation (2)	2003-XB9R
23	18538-99B	HYDRAULIC LIFTER (2)	2003-XB9R
24	63858-49	GASKET (10)	2003-XB9R

PISTON & FLYWHEEL ASSEMBLY



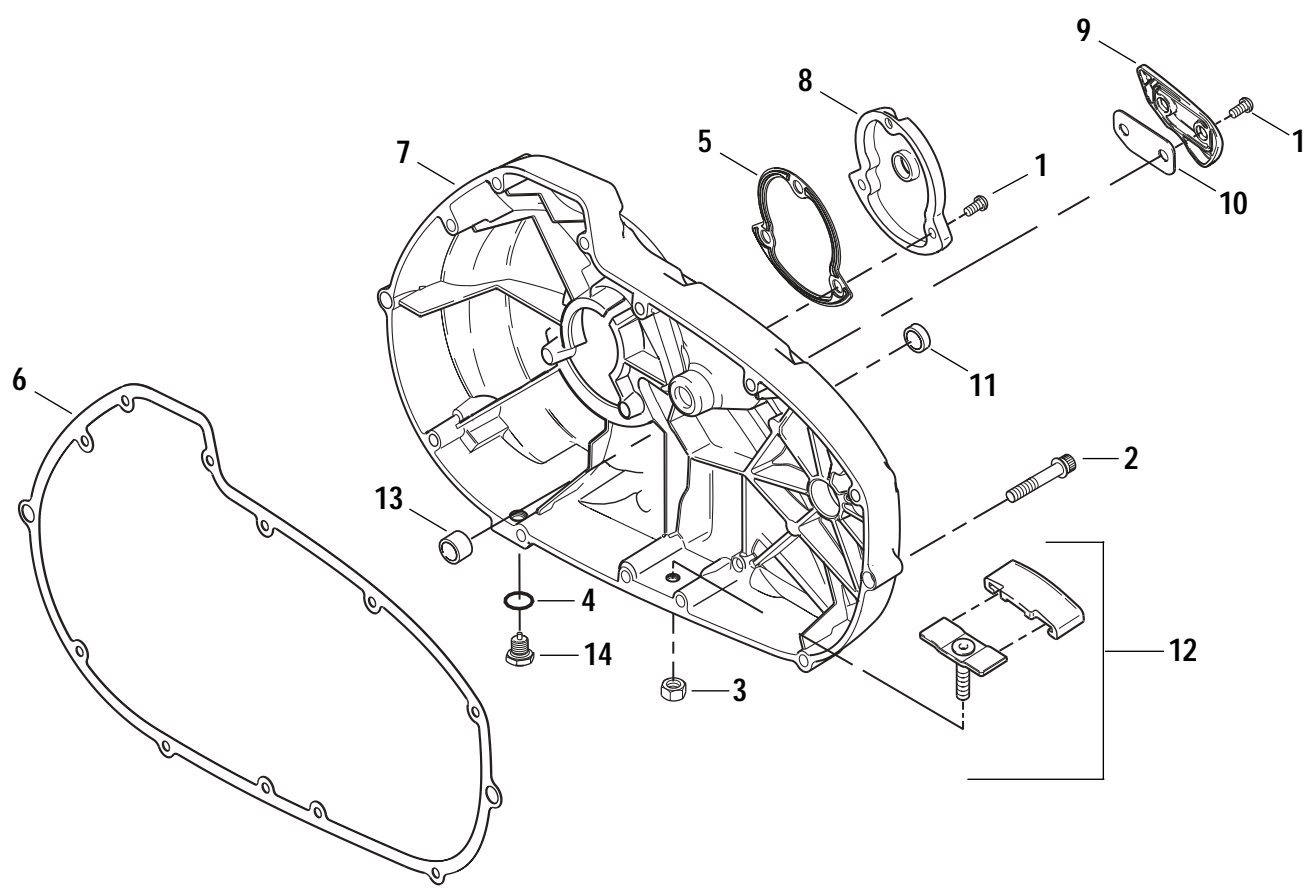
INDEX NO.	PART NO.	DESCRIPTION	MODELS
1	8973	THRUST WASHER	2003-XB9R
2	11177A	RETAINING RING	2003-XB9R
3	21948-02	PISTON RING SET - standard (2)	2003-XB9R
4	22707-02	PISTON & RINGS ASM. - standard (2)	2003-XB9R
5	22765-02	PISTON PIN (2)	2003-XB9R
6	24213-02	FLYWHEEL & CONNECTING ROD ASM.	2003-XB9R
7	24331-36	BUSHING, piston pin - standard (2)	2003-XB9R
	24332-36	BUSHING, piston pin - 0.01 oversize (2)	2003-XB9R
8	24658-87	INNER RING	2003-XB9R
9	22589-83B	LOCK RING, piston pin (2)	2003-XB9R

CRANKCASE



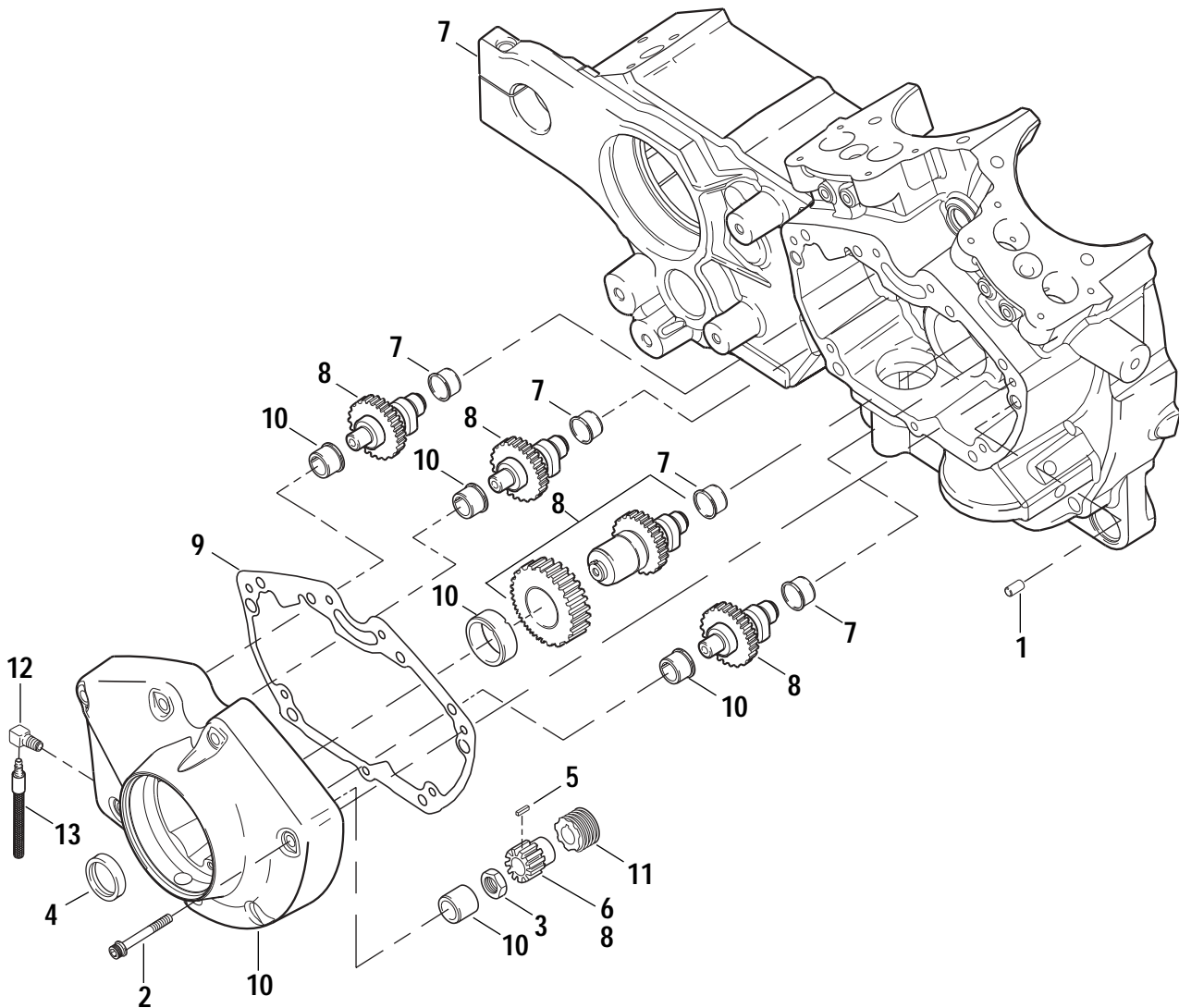
INDEX NO.	PART NO.	DESCRIPTION	MODELS
1	358	DOWEL PIN (4)	2003-XB9R
2	720	PLUG, timing	2003-XB9R
3	1028	SCREW, w/ washer (9)	2003-XB9R
4	879A	SCREW (5)	2003-XB9R
5	1044	SCREW	2003-XB9R
6	4091	SCREW (2)	2003-XB9R
7	6314W	WASHER (5)	2003-XB9R
8	8881	BEARING RACE	2003-XB9R
9	8973	WASHER, thrust	2003-XB9R
10	10080	CLAMP, hose (3)	2003-XB9R
11	11177A	RETAINING RING	2003-XB9R
12	12068	OIL SEAL	2003-XB9R
13	16899-02	STUD, tap end (2)	2003-XB9R
14	22265-00Y	OIL JET ASM., complete	2003-XB9R
15	24604-00B	BEARING	2003-XB9R
16	24647-87	BEARING, gear shaft (blue)	2003-XB9R
	24650-87	BEARING, gear shaft (red)	2003-XB9R
	24659-87	BEARING, gear shaft (white/gray)	2003-XB9R
	24660-87	BEARING, gear shaft (green)	2003-XB9R
17	24754-75	DOWEL PIN (2)	2003-XB9R
18	24439-02	CRANKCASE SET w/ bushings & bearings (silver)	2003-XB9R
19	26921-02	REED VALVE ASM	2003-XB9R
20	26922-02	VALVE, reed	2003-XB9R
21	26923-02	STOP, reed valve	2003-XB9R
22	26924-02	REED BLOCK	2003-XB9R
23	29950-91	COVER, stator wires	2003-XB9R
24	32617-00Y	SCREW, self-tapping (6)	2003-XB9R
25	35114-02	RING, retaining	2003-XB9R
26	40254-02	SPACER, sprocket shaft	2003-XB9R
27	45830-48	PLUG	2003-XB9R
28	62340-01Y	HOSE, preformed	2003-XB9R
29	26365-02	FITTING, connector - straight	2003-XB9R
30	63533-41A	FITTING, connector - vent	2003-XB9R
31	AA0636.2CZ	SCREW	2003-XB9R
32	BA0613.2Z	WASHER	2003-XB9R
33	DA0600.11CZ	LOCKNUT	2003-XB9R
34	L0178.K	SPACER	2003-XB9R

PRIMARY COVER & CHAIN TENSIONER



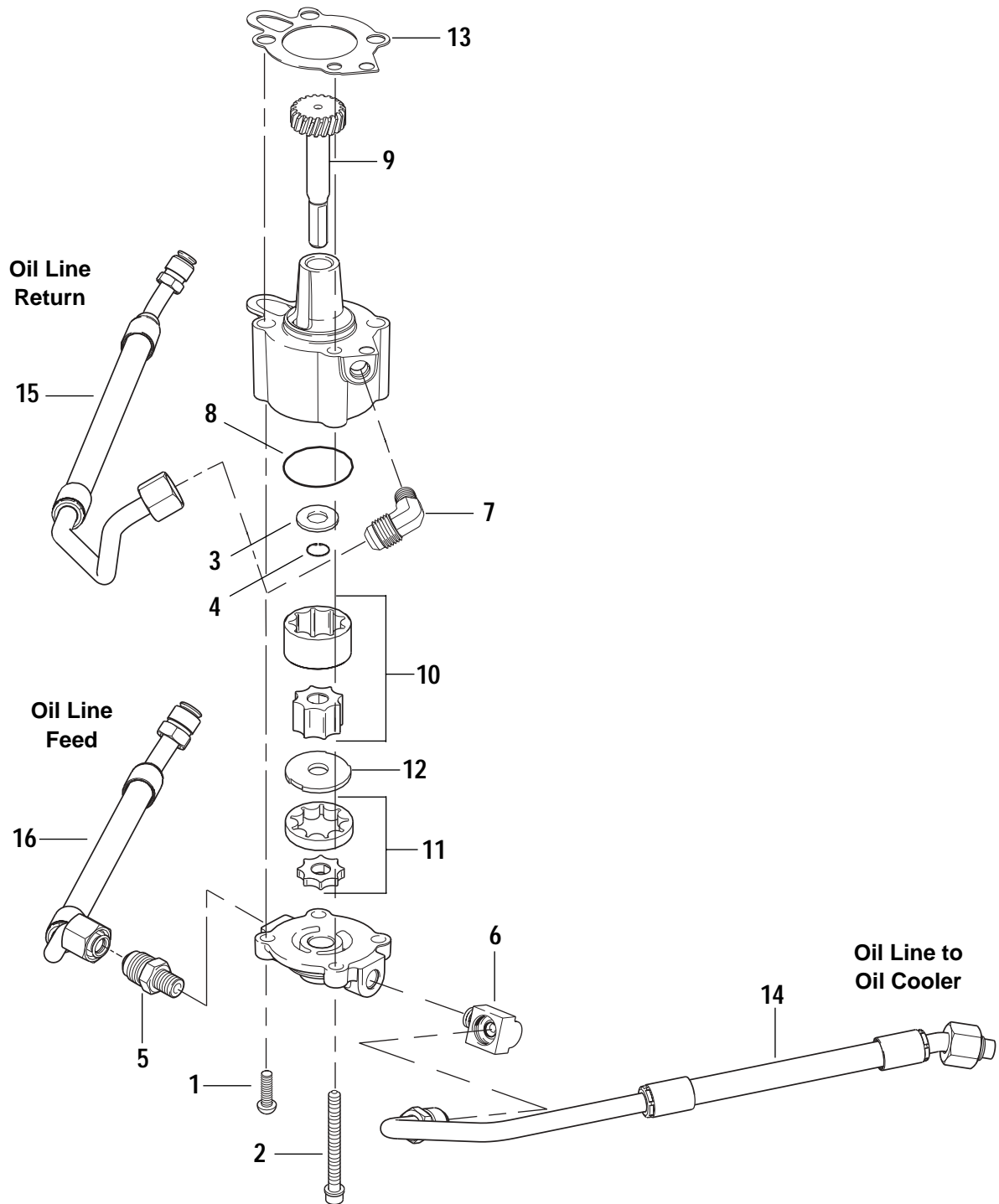
INDEX NO.	PART NO.	DESCRIPTION	MODELS
1	961	SCREW, sems (5)	2003-XB9R
2	4820A	SCREW, sems (14)	2003-XB9R
3	7804	NUT, chain adjustment	2003-XB9R
4	11105	O-RING	2003-XB9R
5	25351-00Y	GASKET, clutch cover	2003-XB9R
6	25378-02	GASKET, primary cover	2003-XB9R
7	25521-02	PRIMARY COVER w/ 34076-02 (painted black)	2003-XB9R
8	34772-00Y	COVER, clutch	2003-XB9R
9	34912-02	COVER, inspection	2003-XB9R
10	34763-02	GASKET, inspection cover	2003-XB9R
11	37101-84A	OIL SEAL, shifter shaft	2003-XB9R
12	40039-02	ADJUSTER ASM., chain w/ shoe, collar, plate & screw	2003-XB9R
13	34076-02	BUSHING	2003-XB9R
14	60328-98A	DRAIN PLUG KIT w/ 11105	2003-XB9R

CAM SHAFTS & CAM COVER



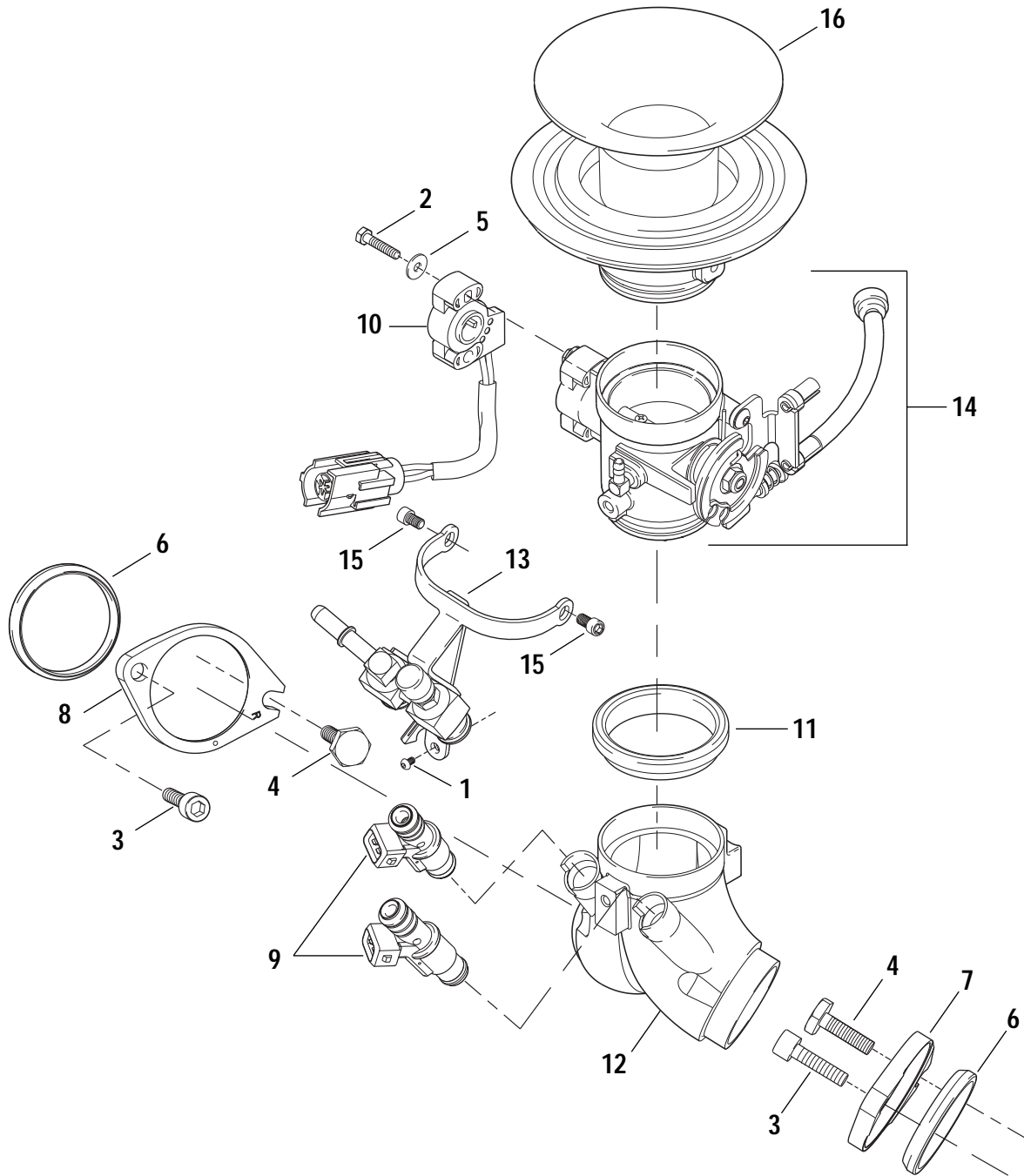
INDEX NO.	PART NO.	DESCRIPTION	MODELS
1	215	DOWEL PIN (2)	2003-XB9R
2	4820A	SCREW, sems (7)	2003-XB9R
3	7916A	NUT	2003-XB9R
4	11124	SEAL, oil	2003-XB9R
5	11317	KEY, square	2003-XB9R
6	24047-00	PINION GEAR	2003-XB9R
7	24439-02	CRANKCASE SET w/ bearings & bushings	2003-XB9R
8	25188-02	"E" CAM GEAR SET w/ pinion gear	2003-XB9R
9	25353-00Y	GASKET, camshaft cover	2003-XB9R
10	25782-02	GEAR COVER ASM. w/ bushings, oil seal & fitting (painted black)	2003-XB9R
11	26318-88A	DRIVE GEAR, oil pump	2003-XB9R
12	62376-02	FITTING, oil vent hose	2003-XB9R
		NOTE: Hoses are sold in bulk length under the following part number. Cut to required length.	
13	62352-94B	HOSE, drain/feed	2003-XB9R

OIL PUMP



INDEX NO.	PART NO.	DESCRIPTION	MODELS
1	4132	SCREW (2)	2003-XB9R
2	4765	SCREW, sems (2)	2003-XB9R
3	6157	THRUST WASHER	2003-XB9R
4	11002	RETAINING RING	2003-XB9R
	26357-02	OIL PUMP, complete	2003-XB9R
5	26358-02	FITTING, connector	2003-XB9R
6	26359-02	FITTING, connector - 45 degree	2003-XB9R
7	26361-02	FITTING, 90 degree	2003-XB9R
8	26434-91	O-RING	2003-XB9R
9	26488-98	GEAR SHAFT	2003-XB9R
10	26491-98	GEROTOR SET, return	2003-XB9R
11	26492-91	GEROTOR SET, feed	2003-XB9R
12	26493-91	SEPARATOR PLATE	2003-XB9R
13	26495-89A	GASKET, pump mounting	2003-XB9R
14	HS0008.02A8	OIL LINE, cooler feed	2003-XB9R
15	L2116.02A8	OIL LINE, return	2003-XB9R
16	L2118.02A8	OIL LINE, feed	2003-XB9R

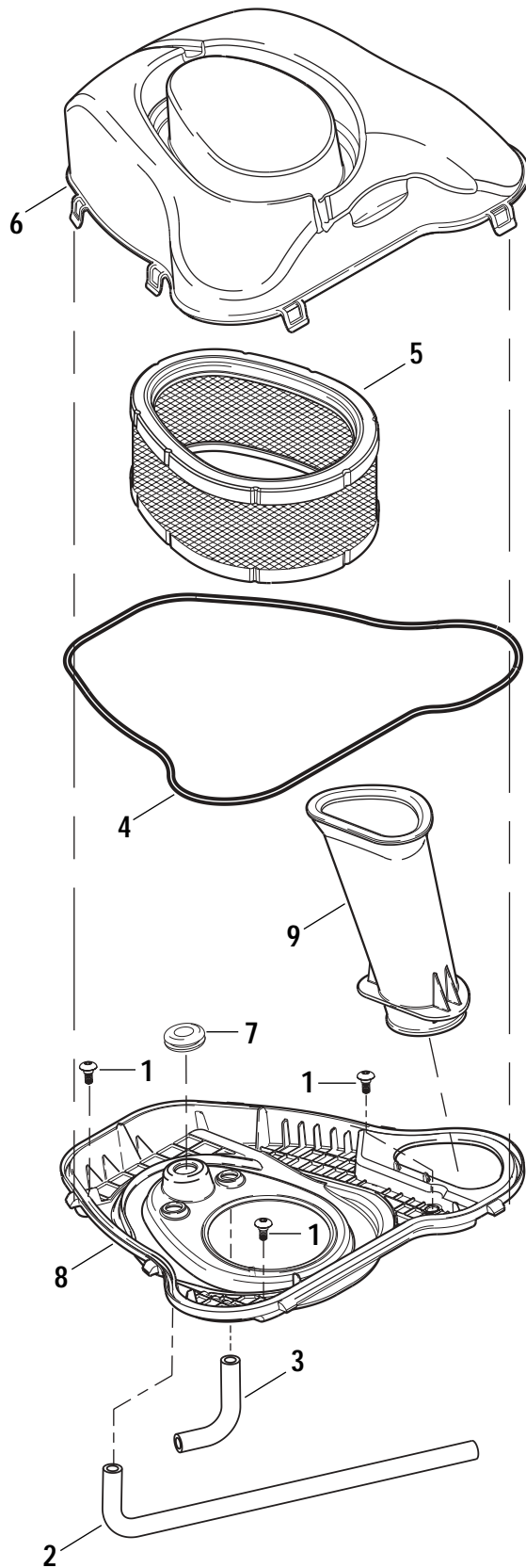
INDUCTION MODULE - ELECTRONIC FUEL INJECTION



INDUCTION MODULE - ELECTRONIC FUEL INJECTION

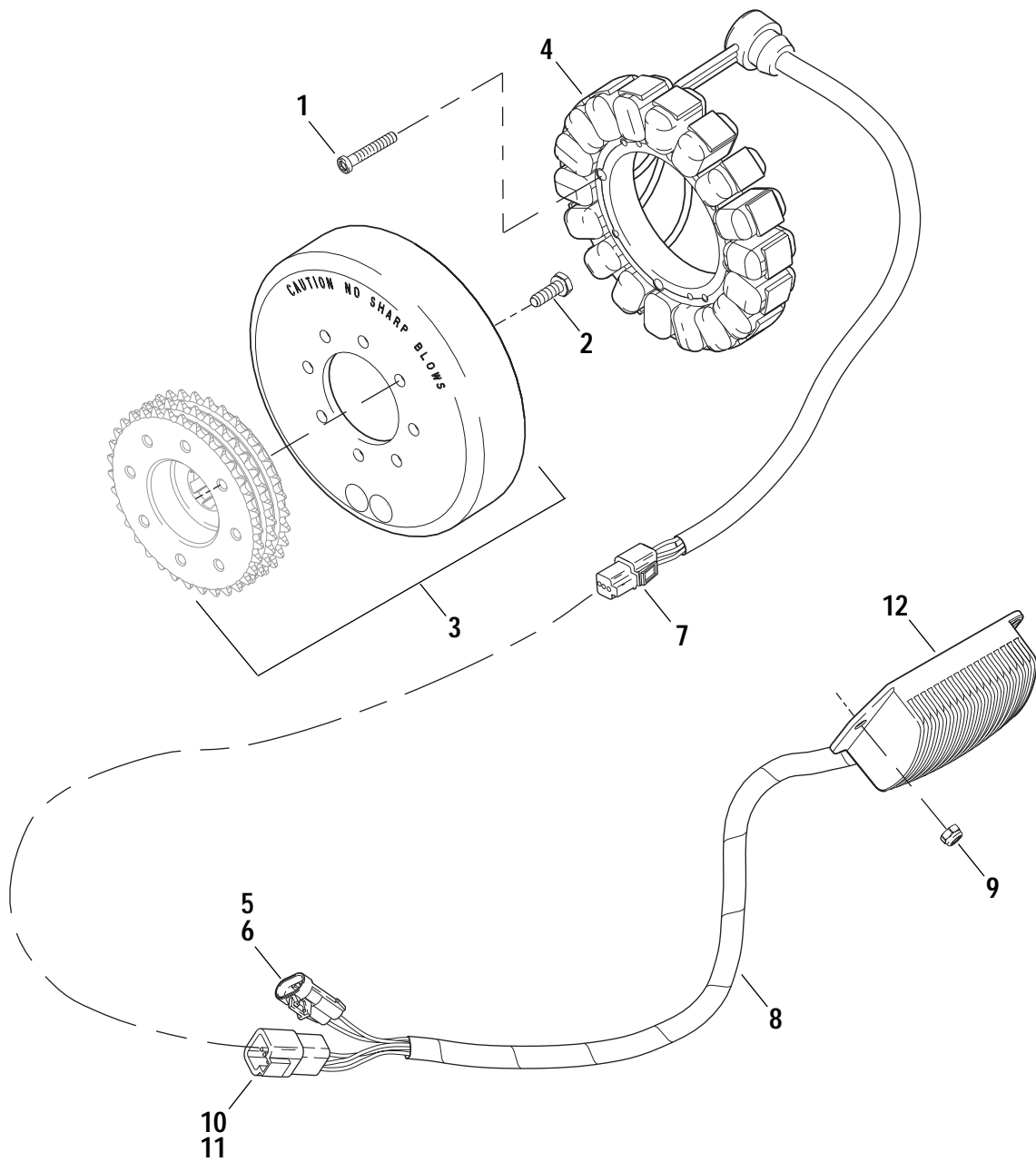
INDEX NO.	PART NO.	DESCRIPTION	MODELS
1	3322Y	SCREW (2)	2003-XB9R
2	3323Y	BOLT (2)	2003-XB9R
3	3275	BOLT (2)	2003-XB9R
4	3987	BOLT (2)	2003-XB9R
5	6090Y	WASHER (2)	2003-XB9R
6	26995-86B	SEAL, intake manifold (2)	2003-XB9R
7	27009-86A	MOUNTING FLANGE, front intake	2003-XB9R
8	27010-86A	MOUNTING FLANGE, rear intake	2003-XB9R
	27337-99Y	O-RING, fuel injector (not illustrated)	2003-XB9R
	27338-99Y	O-RING, fuel injector (not illustrated)	2003-XB9R
	27425-02	FUEL INDUCTION MODULE (complete)	2003-XB9R
9	29533-99Y	FUEL INJECTOR (2)	2003-XB9R
10	29537-99Y	THROTTLE POSITION SENSOR	2003-XB9R
11	29539-99Y	RING SEAL	2003-XB9R
	29803-02	MANIFOLD ASM., injector w/ #1, 9, 12 & 13	2003-XB9R
12	29804-02	INTAKE MANIFOLD	2003-XB9R
13	29805-02	FUEL RAIL ASM.	2003-XB9R
14	29806-02	THROTTLE BODY ASM.	2003-XB9R
15	A0508.2CSS	SCREW (2)	2003-XB9R
16	P0025.02A8	VELOCITY STACK	2003-XB9R

AIR CLEANER



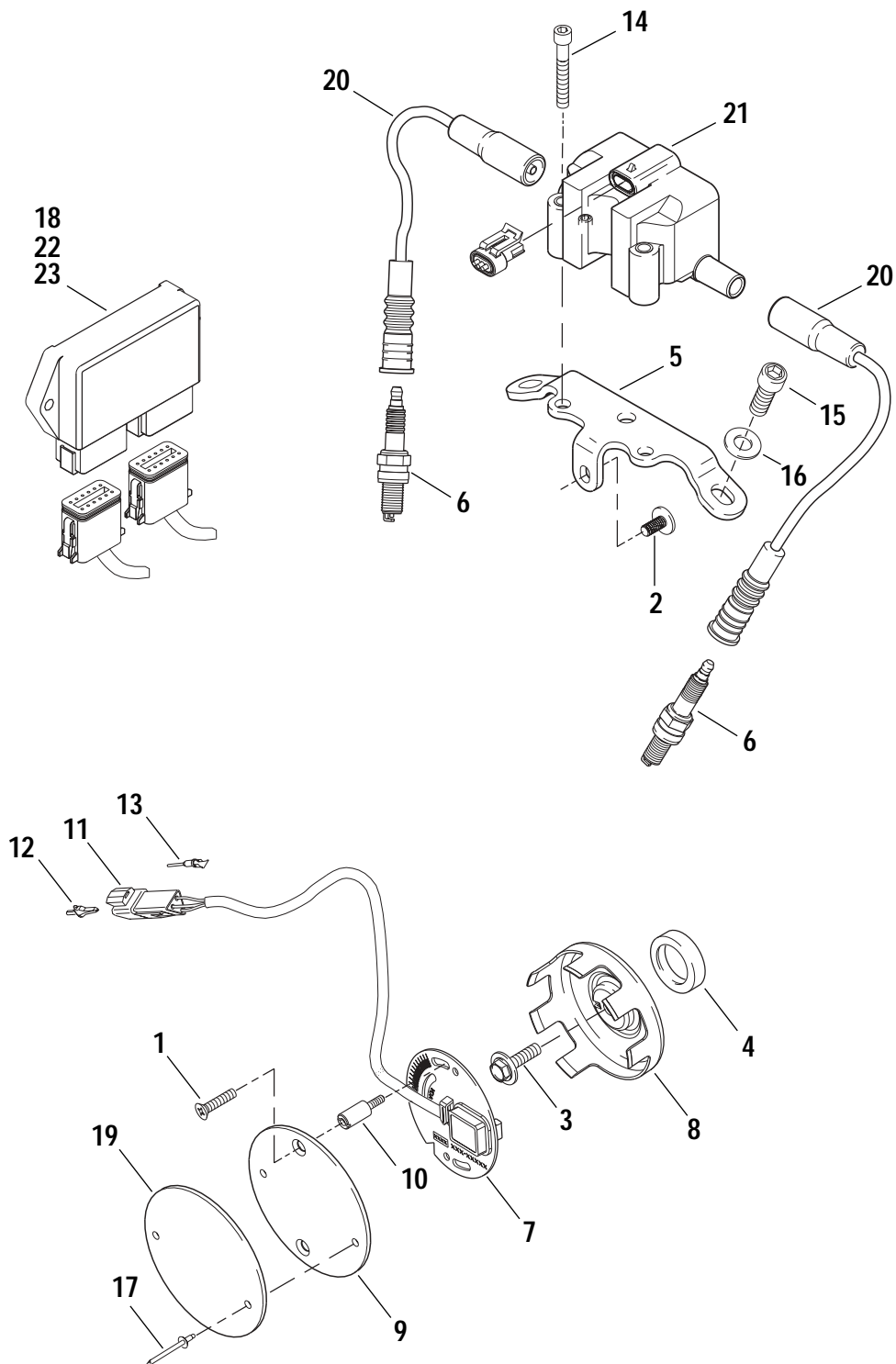
INDEX NO.	PART NO.	DESCRIPTION	MODELS
1	CA0018.02A8	SCREW, shoulder (4)	2003-XB9R
	HS0014.02A8	SLEEVE (not illustrated)	2003-XB9R
2	HS0016.02A8	BREATHER HOSE, front w/ sleeve	2003-XB9R
3	HS0455.02A8	BREATHER HOSE, rear	2003-XB9R
4	P0144.02A8	SEAL, airbox	2003-XB9R
5	P0213.02A8	FILTER ELEMENT	2003-XB9R
6	P0215.02A8	COVER, airbox	2003-XB9R
	P0138.K	SENSOR, air intake (not illustrated)	2003-XB9R
7	P0139.K	GOMMET	2003-XB9R
8	P0700.02A8	BASEPLATE ASM., includes base plate & seal	2003-XB9R
9	P0851.02A8	SNORKEL, intake	2003-XB9R

ALTERNATOR & REGULATOR



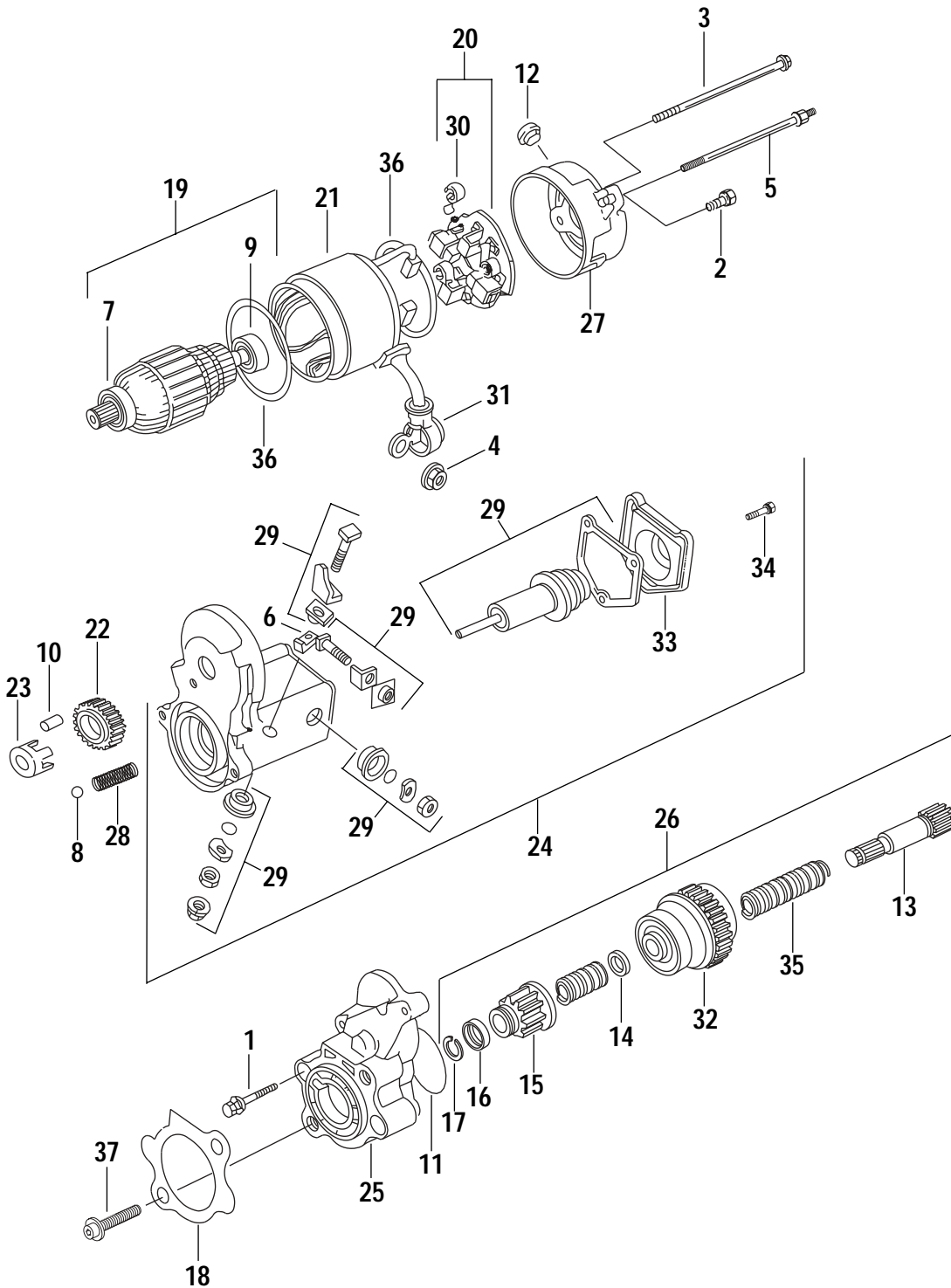
INDEX NO.	PART NO.	DESCRIPTION	MODELS
1	3029	SCREW (4)	2003-XB9R
2	4751	SCREW (8)	2003-XB9R
3	40241-02	ROTOR HOUSING	2003-XB9R
4	29971-02Y	STATOR ASM.	2003-XB9R
5	72233-94	CONNECTOR	2003-XB9R
6	72238-94	LOCK, secondary	2003-XB9R
7	72691-01	CONNECTOR, stator wire	2003-XB9R
8	C0043.02A8	SLEEVE, protective	2003-XB9R
9	DN1000.2FZ	NUT, nylock (3)	2003-XB9R
10	Y0126.02A8	TERMINAL & Set, voltage regulator	2003-XB9R
11	Y0135.02A8	TERMINAL (5.0 - 3.0mm cable range)	2003-XB9R
12	Y0302.02A8	VOLTAGE REGULATOR	2003-XB9R

ELECTRONIC IGNITION SYSTEM



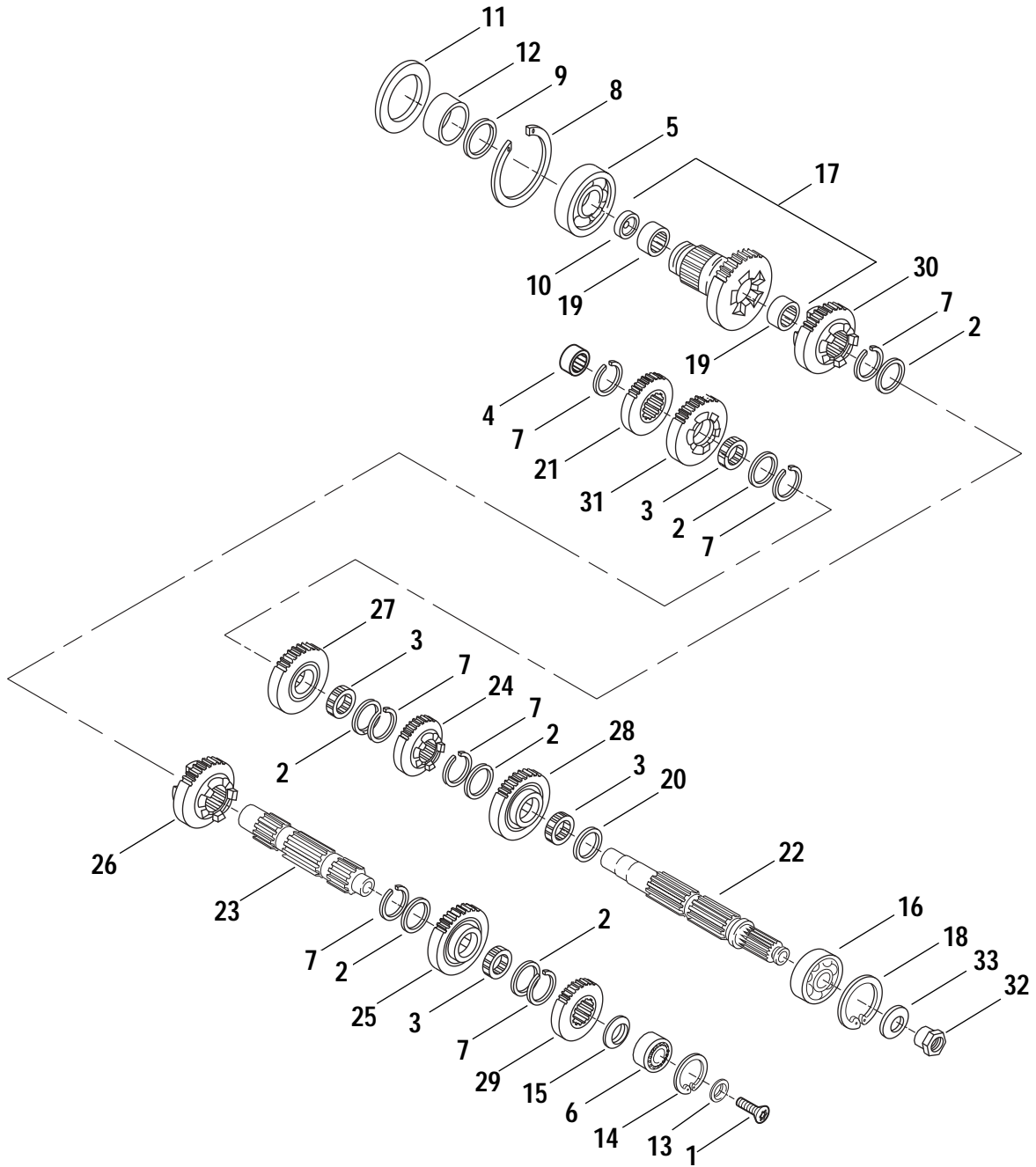
INDEX NO.	PART NO.	DESCRIPTION	MODELS
1	1601	SCREW (2)	2003-XB9R
2	2445	SCREW	2003-XB9R
3	2611C	SCREW	2003-XB9R
4	11124	SEAL	2003-XB9R
5	16357-02	MOUNT, cylinder brace/throttle body	2003-XB9R
6	27671-01K	SPARK PLUG (2)	2003-XB9R
7	32400-94	SENSOR ASM.	2003-XB9R
8	32473-02	CUP, trigger rotor	2003-XB9R
9	32504-80A	COVER, timer - inner	2003-XB9R
10	32606-82	STUD (2)	2003-XB9R
11	72103-94BK	RECEPTACLE, 3 pin	2003-XB9R
12	72143-94	SECONDARY LOCK, 3 pin receptacle	2003-XB9R
13	72190-94	TERMINAL, single socket	2003-XB9R
14	AA0414.2CXZB	SCREW, coil mount (2)	2003-XB9R
15	AA0608.2CXZB	SCREW, brace	2003-XB9R
16	BA0613.2Z	WASHER, brace	2003-XB9R
17	C0044.02A8	RIVET, black (2)	2003-XB9R
18	N0306.02A8	ENGINE CONTROL MODULE	2003-XB9R
19	T0111.02A8	COVER, timer - outer	2003-XB9R
20	Y0204.02A8	WIRE, spark plug (2)	2003-XB9R
21	Y0300.02A8	IGNITION COIL	2003-XB9R
INTERNATIONAL ONLY			
22	N0316.02A8	ENGINE CONTROL MODULE (AUS)	2003-XB9R
23	N0326.02A8	ENGINE CONTROL MODULE (ENG, EUR, JPN)	2003-XB9R

STARTER MOTOR



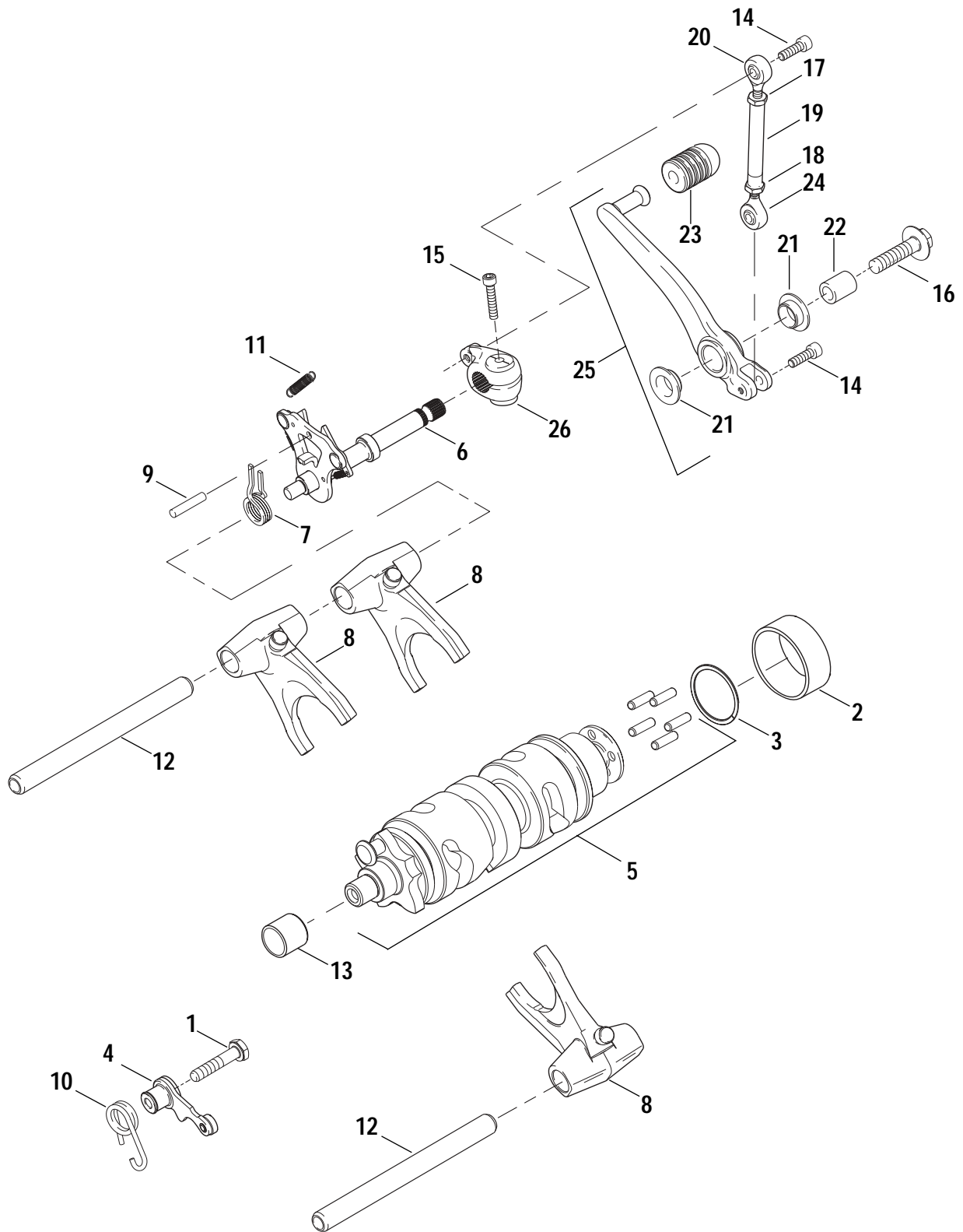
INDEX NO.	PART NO.	DESCRIPTION	MODELS
1	928	BOLT, starter (2)	2003-XB9R
2	929A	SCREW with o-ring (2)	2003-XB9R
3	3350	BOLT, through	2003-XB9R
4	3403	FLANGE NUT	2003-XB9R
5	3559	BOLT, through	2003-XB9R
6	6217	WASHER	2003-XB9R
7	8871	BALL BEARING	2003-XB9R
8	8879	BALL	2003-XB9R
9	8883	BALL BEARING	2003-XB9R
10	9077	CLUTCH ROLLER (5)	2003-XB9R
11	11116	O-RING	2003-XB9R
12	31322-91	COVER	2003-XB9R
13	31323-91	SHAFT	2003-XB9R
14	31324-91	RETAINER, snap	2003-XB9R
15	31325-91	PINION, starter	2003-XB9R
16	31327-91	NUT, pinion stop	2003-XB9R
17	31328-91	RING, snap	2003-XB9R
	31390-91B	STARTER MOTOR, complete (black)	2003-XB9R
18	31488-81A	GASKET, starter motor	2003-XB9R
19	31515-90	ARMATURE ASM.	2003-XB9R
20	31518-90	HOLDER ASM., starter brush	2003-XB9R
21	31521-98	YOKE ASM.	2003-XB9R
22	31525-90	GEAR, idler	2003-XB9R
23	31530-90	RETAINER, idler	2003-XB9R
24	31537-98	SWITCH ASM., magnetic	2003-XB9R
25	31539-91	HOUSING ASM.	2003-XB9R
26	31556-91A	CLUTCH SUB-ASM.	2003-XB9R
27	31599-91	FRAME, starter end	2003-XB9R
28	31600-90	SPRING, return	2003-XB9R
29	31603-91	STARTER SOLENOID REPAIR KIT	2003-XB9R
30	31661-90	SPRING, starter (4)	2003-XB9R
31	31662-90	CAP TERMINAL, rubber	2003-XB9R
32	31663-90	CLUTCH, starter	2003-XB9R
33	31688-90	COVER, solenoid	2003-XB9R
34	31689-90	BOLT w/ washer (3)	2003-XB9R
35	31692-90	SPRING	2003-XB9R
36	31695-90	O-RING, yoke (2)	2003-XB9R
37	45902-00	SCREW w/ washer (2)	2003-XB9R

TRANSMISSION GEARS



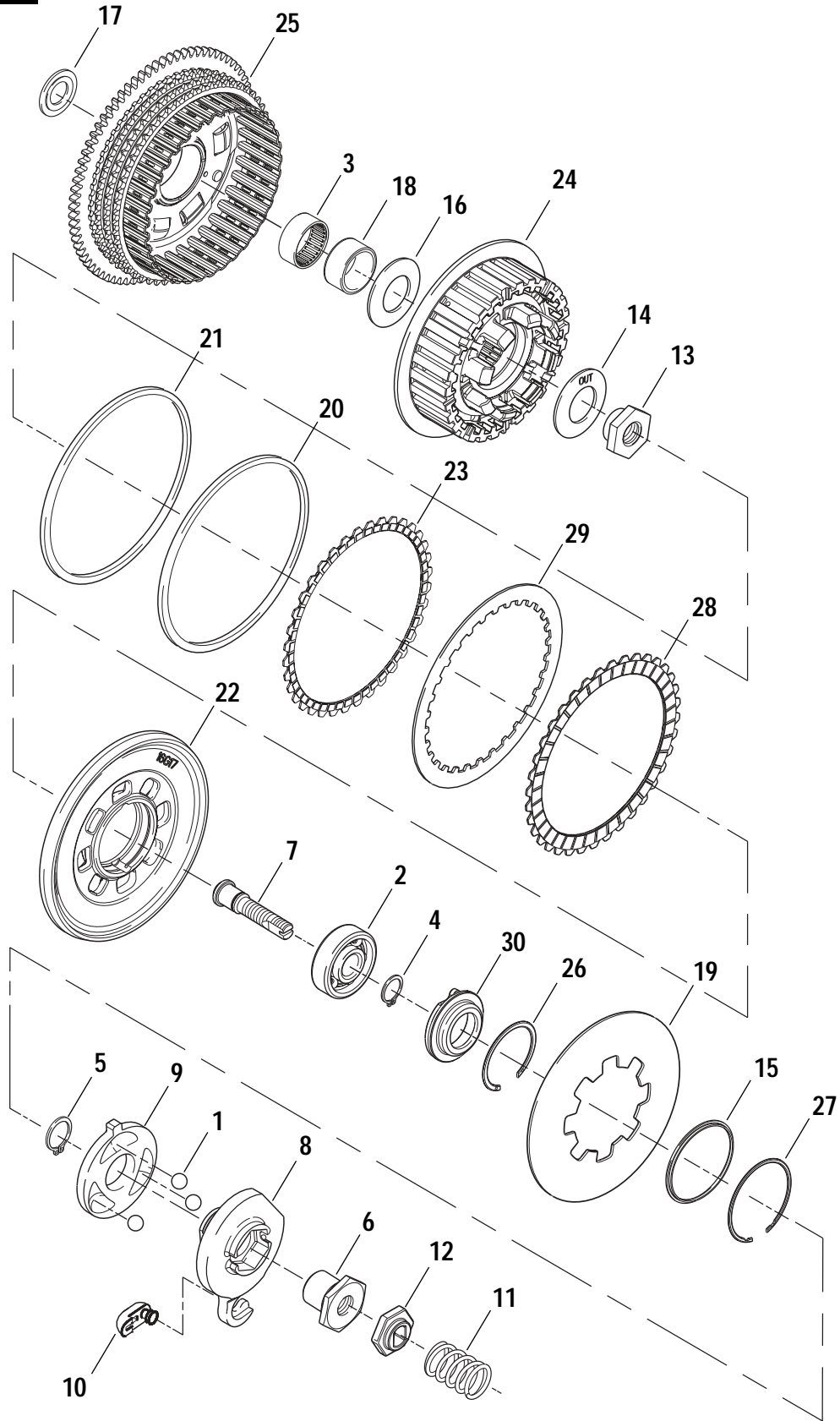
INDEX NO.	PART NO.	DESCRIPTION	MODELS
1	3675	SCREW	2003-XB9R
2	6003	THRUST WASHER (6)	2003-XB9R
3	8876A	BEARING (4)	2003-XB9R
4	8977	BEARING, closed end	2003-XB9R
5	8996A	BEARING, ball	2003-XB9R
6	8998	BEARING	2003-XB9R
7	11067	RETAINING RING (7)	2003-XB9R
8	11161	RETAINING RING	2003-XB9R
9	11165	QUAD SEAL	2003-XB9R
10	12030	OIL SEAL	2003-XB9R
11	12067A	OIL SEAL	2003-XB9R
12	33344-94	SPACER	2003-XB9R
13	35020-89	RETAINER, countershaft	2003-XB9R
14	35021-89	RETAINING RING	2003-XB9R
15	35022-89A	SPACER	2003-XB9R
16	35030-89	BEARING	2003-XB9R
17	35034-94	GEAR ASM., fifth-mainshaft w/ oil seal & needle bearing	2003-XB9R
18	35038-89A	RETAINING RING	2003-XB9R
19	35051-89	BEARING, needle (2)	2003-XB9R
20	35063-89	SPACER	2003-XB9R
21	35633-94	GEAR, fifth-countershaft	2003-XB9R
22	35640-89	MAINSHAFT	2003-XB9R
23	35641-89	COUNTERSHAFT	2003-XB9R
24	35762-02	GEAR, first-mainshaft	2003-XB9R
25	35763-89A	GEAR, first-countershaft	2003-XB9R
26	35771-94	GEAR, third-countershaft	2003-XB9R
27	35772-94	GEAR, third-mainshaft	2003-XB9R
28	35773-94	GEAR, fourth-mainshaft	2003-XB9R
29	35775-94	GEAR, fourth-countershaft	2003-XB9R
30	35796-00	GEAR, second-mainshaft	2003-XB9R
31	35797-00	GEAR, second-countershaft	2003-XB9R
32	37495-91	NUT, mainshaft	2003-XB9R
33	37870-91	SPRING WASHER	2003-XB9R

SHIFTER



INDEX NO.	PART NO.	DESCRIPTION	MODELS
1	3997A	SCREW	2003-XB9R
2	9187	BEARING	2003-XB9R
3	11360	RING, retaining	2003-XB9R
4	33540-02	SPRING SLEEVE ASM., detent	2003-XB9R
5	33634-02	SHIFTER CAM ASM.	2003-XB9R
	33900-99	SWITCH, neutral (not illustrated)	2003-XB9R
6	34014-02	SHIFTER LEVER ASM.	2003-XB9R
7	34064-00B	SPRING, shifter return	2003-XB9R
8	34144-02	FORK ASM, shifter (3)	2003-XB9R
9	34163-02	PIN, shifter stop	2003-XB9R
10	34483-02	SPRING, detent	2003-XB9R
11	34491-02	SPRING, extension (2)	2003-XB9R
12	34981-02	SHAFT, shifter forks (2)	2003-XB9R
13	34982-02	BUSHING, RH crankcase	2003-XB9R
14	AN1006.2CXZB	BOLT (2)	2003-XB9R
15	AN1008.2CXZB	BOLT	2003-XB9R
16	CA0015.02A8	BOLT, flange head (2)	2003-XB9R
17	CD0007.02A8	JAM NUT	2003-XB9R
18	DN1000.4FZB	JAM NUT, thin	2003-XB9R
19	N0320.02A8	LINKAGE ASM., shifter w/ #17, 18, 20 & 24	2003-XB9R
20	N0507.01A1A	ROD END, shift linkage, male RH thread	2003-XB9R
21	N0513.T	BEARING, pedal (2)	2003-XB9R
22	N0599.02A8	SLEEVE, shift/brake lever	2003-XB9R
23	N0600.02A8	TOE PEG, shift lever	2003-XB9R
24	N0606.02A8A	ROD END, shift linkage, male LH thread	2003-XB9R
25	N0630.02A8	SHIFT PEDAL ASM., w/ toe peg and bearings	2003-XB9R
26	T0225.01A1	LEVER, engine	2003-XB9R

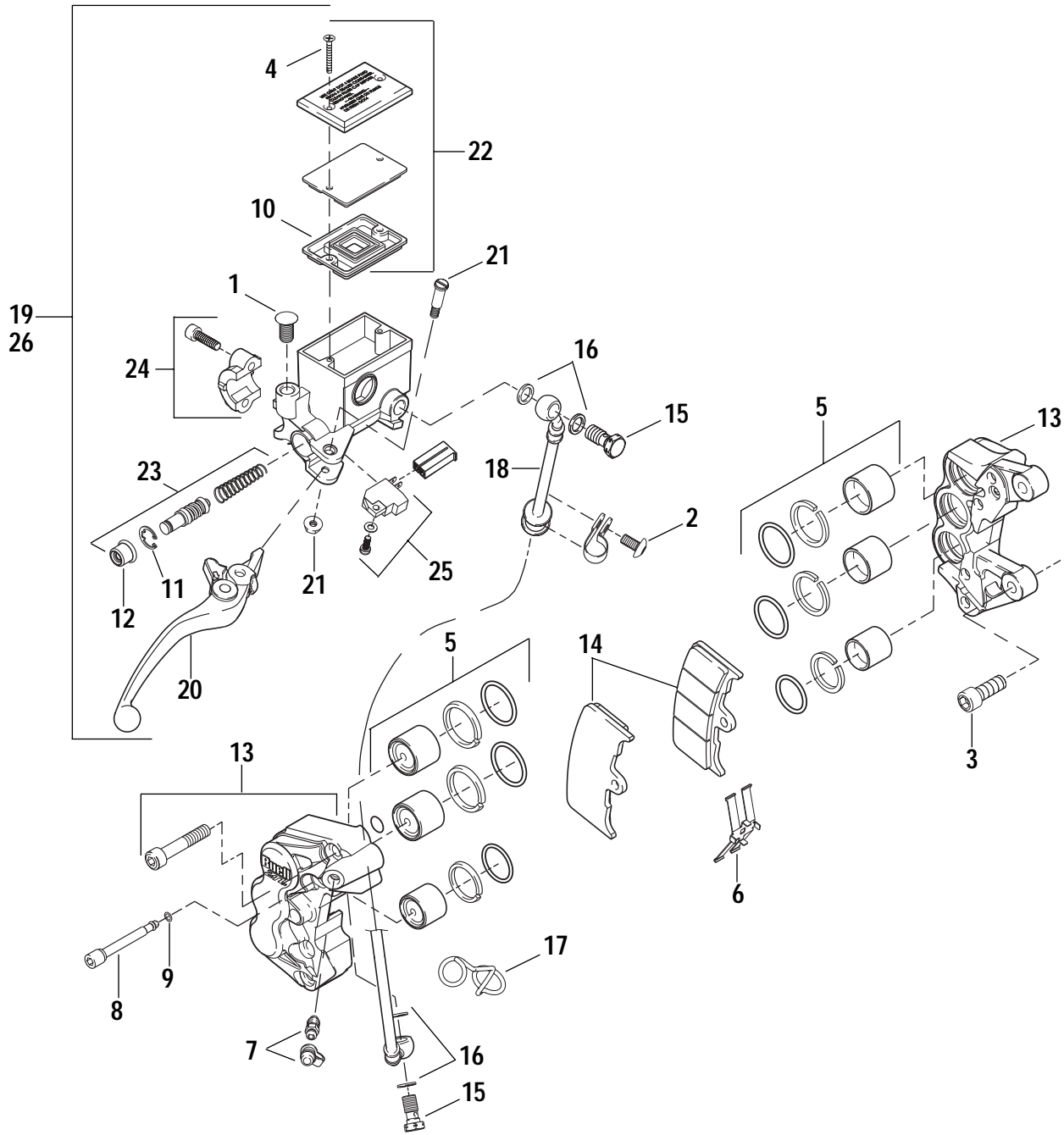
CLUTCH



INDEX NO.	PART NO.	DESCRIPTION	MODELS
1	8873	BALL (3)	2003-XB9R
2	8885	BALL BEARING	2003-XB9R
3	9214	NEEDLE BEARING	2003-XB9R
4	11046	RETAINING RING	2003-XB9R
5	11250	RETAINING RING	2003-XB9R
6	11730A	NUT	2003-XB9R
7	11765Y	ADJUSTMENT SCREW	2003-XB9R
8	25409-94B	RAMP, outer	2003-XB9R
9	25453-87A	RAMP, inner	2003-XB9R
10	34920-86A	COUPLING, clutch cable	2003-XB9R
11	36715-94	SPRING, clutch adjustment	2003-XB9R
12	36802-84B	LOCKPLATE, well type	2003-XB9R
13	37495-91	NUT, main shaft	2003-XB9R
14	37870-91	SPRING WASHER	2003-XB9R
15	37872-90	SEAT, spring - inner	2003-XB9R
16	37890-02	THRUSTWASHER, inner	2003-XB9R
17	37891-02	THRUSTWASHER, outer	2003-XB9R
18	37892-02	INNER RACE, needle bearing	2003-XB9R
19	37893-02	SPRING, diaphragm	2003-XB9R
20	37894-02	SPRING, damper	2003-XB9R
21	37895-02	SEAT, damper spring	2003-XB9R
22	37896-02	PRESSURE PLATE	2003-XB9R
23	37897-02	FRICTION PLATE, narrow	2003-XB9R
24	37898-02	CLUTCH HUB	2003-XB9R
25	37899-02	CLUTCH SHELL & SPROCKET w/ ball bearing & retaining ring	2003-XB9R
26	37908-90	RETAINING RING	2003-XB9R
27	37909-90	RETAINING RING	2003-XB9R
28	37911-90	FRICTION PLATE (paper) (7)	2003-XB9R
29	37913-90	STEEL PLATE (7)	2003-XB9R
30	37918-91	RELEASE PLATE	2003-XB9R

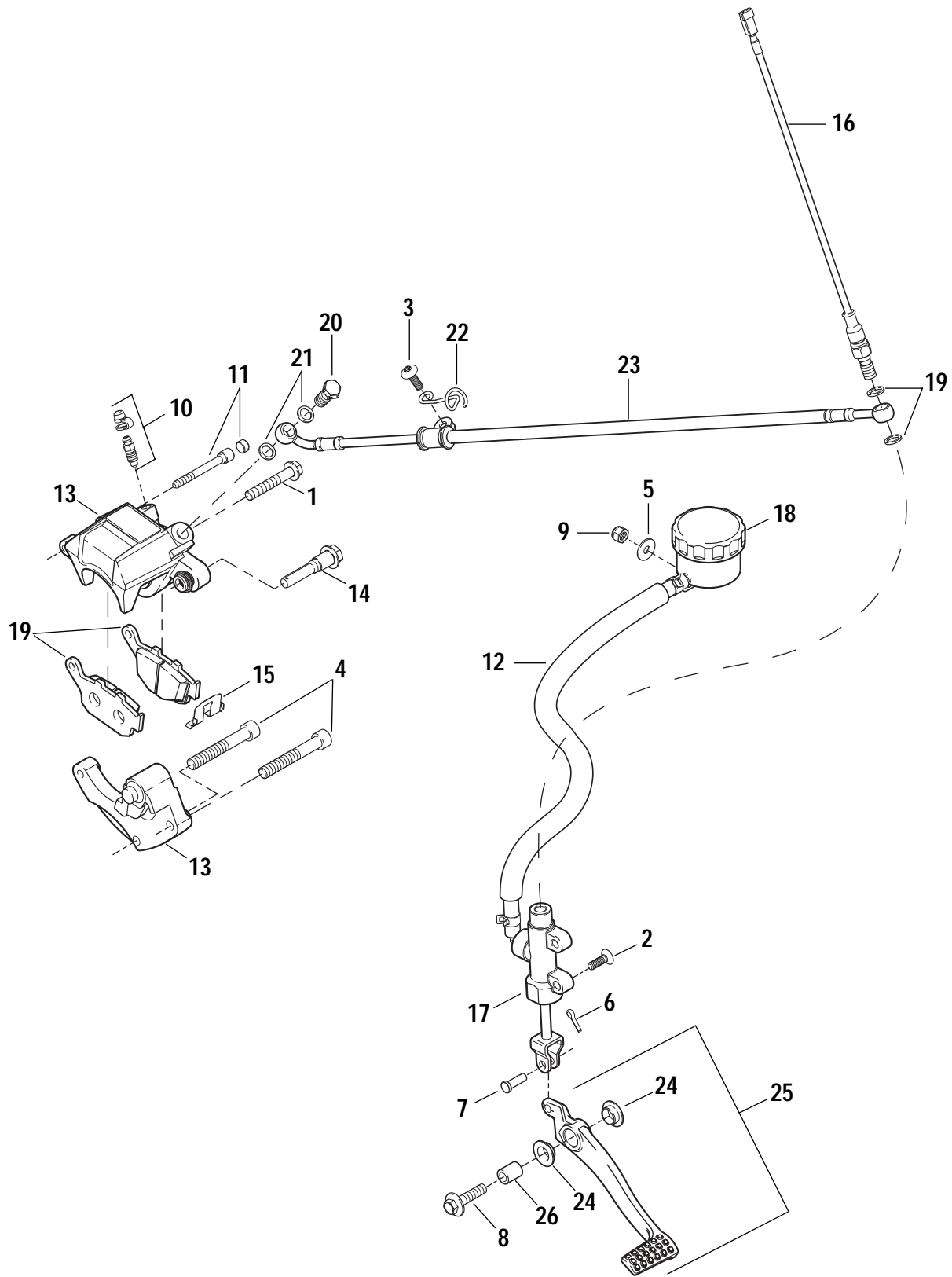
INDEX NO.	PART NO.	DESCRIPTION	MODELS
1	3594	SCREW (2)	2003-XB9R
2	7839	NUT, engine sprocket	2003-XB9R
3	35211-91A	NUT, transmission sprocket	2003-XB9R
4	40005-57B	PRIMARY CHAIN	2003-XB9R
5	40039-02	ADJUSTER ASM., chain w/ shoe, collar, plate & screw	2003-XB9R
6	40241-02	ENGINE SPROCKET, triple row, 35T	2003-XB9R
7	40251-92A	LOCK PLATE	2003-XB9R
8	40254-02	SPACER, sprocket shaft	2003-XB9R
9	40343-02	SPROCKET ASM., transmission, 30T	2003-XB9R
10	6400HB	WASHER (2)	2003-XB9R
11	AA0609.11CXZB	SCREW (6)	2003-XB9R
12	BA0511.2Z	WASHER (2)	2003-XB9R
13	BA0613.2Z	WASHER (6)	2003-XB9R
14	CA0020.02A8	SCREW	2003-XB9R
15	DA0500.2CZ	LOCKNUT	2003-XB9R
16	DA0600.12FAZB	NUT, flange (2)	2003-XB9R
17	G0400.02A8	REAR SPROCKET, 27T	2003-XB9R
18	G0500.02A8F	DRIVE BELT, 155T	2003-XB9R
19	G0604.02A8C	IDLER PULLEY ASM., w/ pulley wheel and bracket	2003-XB9R
20	G0614.02A8C	WHEEL, idler pulley	2003-XB9R

FRONT BRAKE CONTROL & CALIPER



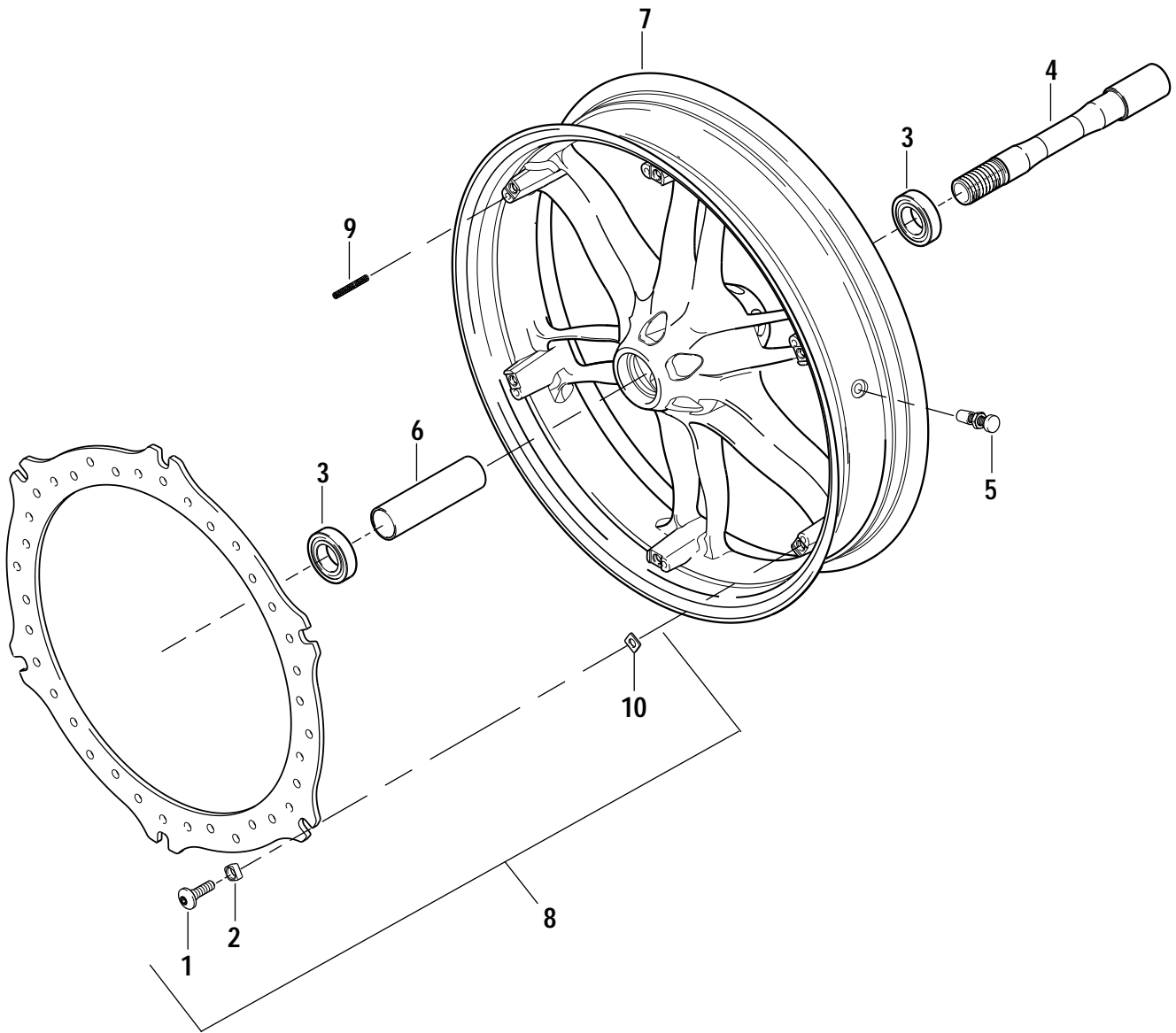
INDEX NO.	PART NO.	DESCRIPTION	MODELS
1	91960-97Y	PLUG, mirror mounting hole plug	2003-XB9R
2	AA0404.11CDBL	SCREW	2003-XB9R
3	AA0608.2CXZB	BOLT, front brake caliper (2)	2003-XB9R
4	CA0200.R	SCREW, front master cylinder cover (2)	2003-XB9R
5	H0020.02A8	PISTON SET	2003-XB9R
6	H0021.02A8	PAD SPRING, caliper	2003-XB9R
7	H0022.F	BLEEDER SET	2003-XB9R
8	H0031.02A8	PIN HANGER SET, caliper	2003-XB9R
9	H0032.02A8	STOPPER, front caliper	2003-XB9R
10	H0035.9	DIAPHRAM COVER, front master cylinder	2003-XB9R
11	H0054.9	CIRCLIP, brake piston	2003-XB9R
12	H0055.9	BOOT, brake piston	2003-XB9R
13	H0110.02A8	BRAKE CALIPER ASM., front	2003-XB9R
14	H0300.02A8	BRAKE PAD (2)	2003-XB9R
15	H0405.9B	BANJO BOLT, master cylinder (2)	2003-XB9R
16	H0412.01A0	WASHER (4)	2003-XB9R
17	H0418.02A8	WIRE FORM, brake line	2003-XB9R
18	H1531.02A8	BRAKE LINE ASM., front	2003-XB9R
19	N0200.02A8	MASTER CYLINDER ASM, front w/ lever	2003-XB9R
20	N0202.02A8	LEVER, front master cylinder	2003-XB9R
21	N0203.9	PIVOT BOLT KIT, w/ nut	2003-XB9R
22	N0210.R	CAP SET	2003-XB9R
23	N0220.F	REPAIR KIT, front master cylinder	2003-XB9R
24	N0259.9	CLAMP, front master cylinder	2003-XB9R
25	Y0820.9	SWITCH KIT, brake lever	2003-XB9R
INTERNATIONAL ONLY			
26	N0096.02A8	MASTER CYLINDER ASM.w/ label (JPN)	2003-XB9R

REAR BRAKE CONTROL & CALIPER



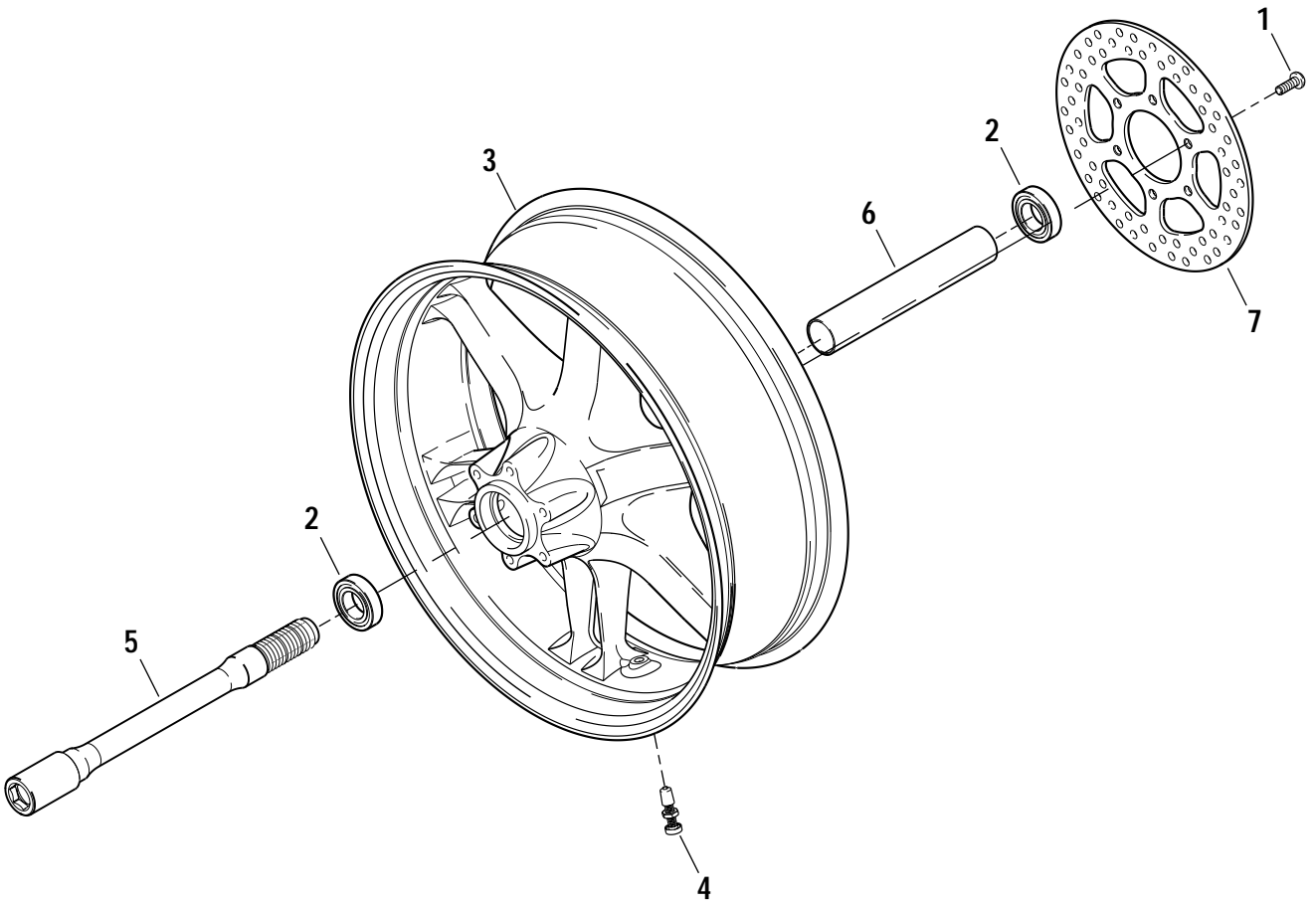
INDEX NO.	PART NO.	DESCRIPTION	MODELS
1	5407Y	BOLT	2003-XB9R
2	A0620.5CZB	SCREW (2)	2003-XB9R
3	AA0406.11CDBL	SCREW	2003-XB9R
4	AA0620.2CZB	SCREW (2)	2003-XB9R
5	B0613.1Z	WASHER	2003-XB9R
6	C0148.T	COTTER PIN	2003-XB9R
7	C0232.TA	CLEVIS PIN, rear master cylinder	2003-XB9R
8	CA0015.02A8	BOLT, flange head	2003-XB9R
9	D0600.2CZ	LOCK NUT	2003-XB9R
10	H0022.F	FITTING, brake bleeder w/ cap	2003-XB9R
	H0024.F	CLIP (not illustrated)	2003-XB9R
11	H0026.F	PIN	2003-XB9R
12	H0027.02A8	HOSE SET, rear master cylinder	2003-XB9R
	H0030.T	PISTON SET, rear caliper (not illustrated)	2003-XB9R
	H0033.T	BRACKET, rear caliper (not illustrated)	2003-XB9R
	H0034.T	BOOT SET, flange bolt (not illustrated)	2003-XB9R
	H0040.F	PISTON SET, rear master cylinder (not illustrated)	2003-XB9R
	H0041.F	CONNECTOR, rear master cylinder (not illustrated)	2003-XB9R
	H0053.T	BOOT, bracket pin (not illustrated)	2003-XB9R
13	H0102.02A8	CALIPER & CARRIER, rear	2003-XB9R
	H0105.F	BOLT, flange caliper (not illustrated)	2003-XB9R
14	H0106.F	PIN BOLT, rear caliper	2003-XB9R
15	H0107.F	RETAINER, rear caliper	2003-XB9R
16	H0203.02A8	SWITCH, rear brake light	2003-XB9R
17	H0205.02A8	MASTER CYLINDER, rear	2003-XB9R
18	H0206.02A8	TANK ASM. SET, master cylinder	2003-XB9R
	H0212.02A8	RESERVOIR, rear master cylinder (not illustrated)	2003-XB9R
19	H0301.T	BRAKE PAD ASM., rear	2003-XB9R
20	H0405.9B	BANJO BOLT, rear master cylinder	2003-XB9R
21	H0412.01A0	WASHER (4)	2003-XB9R
22	H0417.02A8	WIRE FORM, rear brake line	2003-XB9R
23	H1522.02A8A	BRAKE LINE ASM., rear w/ switch, banjo bolt & washers (4)	2003-XB9R
	N0505.T	ROD ASM., rear master cylinder (not illustrated)	2003-XB9R
24	N0513.T	BEARING, pedal (2)	2003-XB9R
	N0516.T	CIRCLIP (not illustrated)	2003-XB9R
	N0517.T	BOOT, brake piston (not illustrated)	2003-XB9R
25	N0530.02A8	PEDAL ASM.	2003-XB9R
26	N0599.02A8	SLEEVE, shift/brake lever	2003-XB9R

FRONT WHEEL



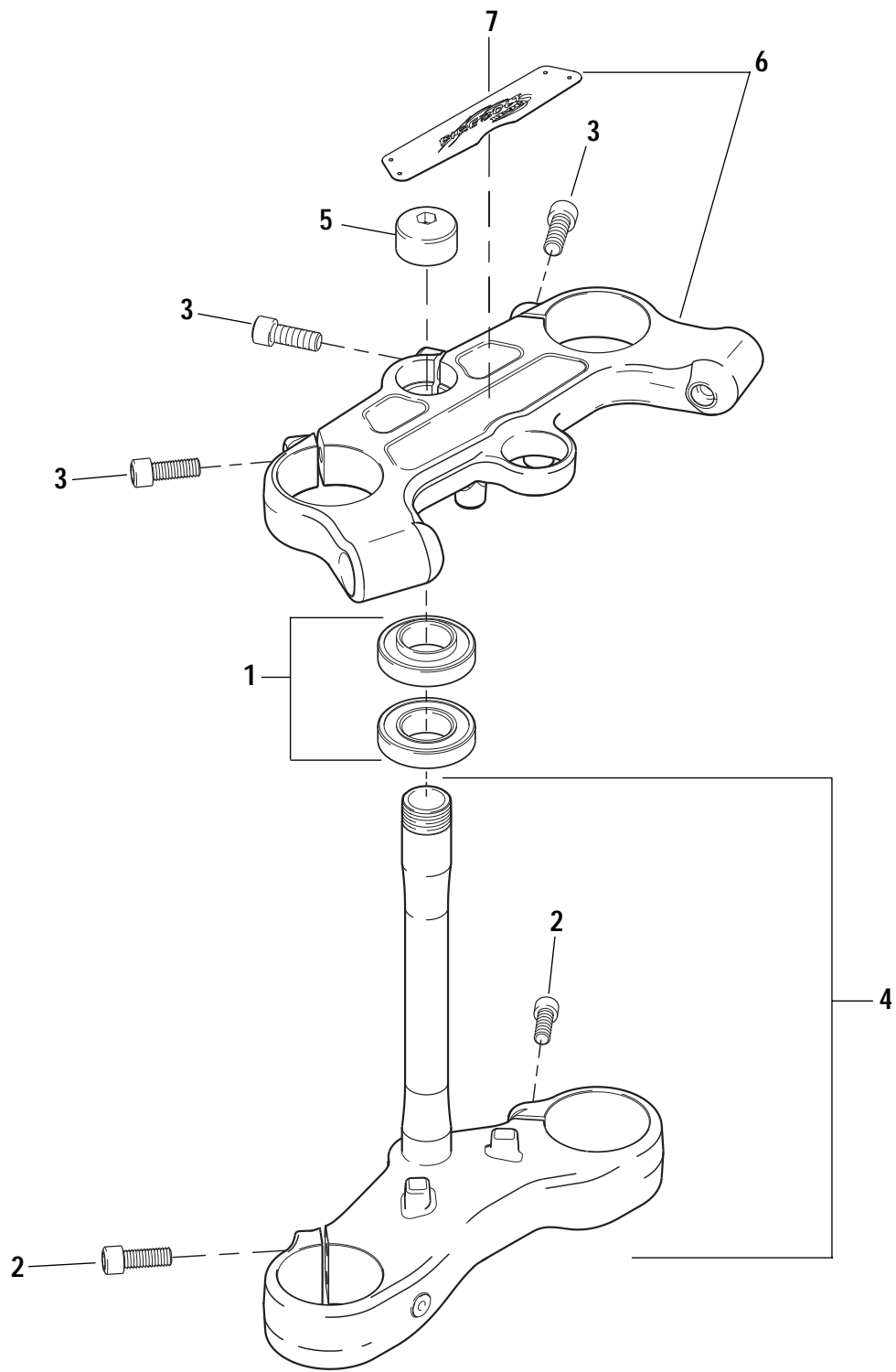
INDEX NO.	PART NO.	DESCRIPTION	MODELS
1	CA0014.02A8	BOLT, front rotor (6)	2003-XB9R
2	CB0006.02A8	WASHER, drive bushing (6)	2003-XB9R
3	E0004.02A8	BEARING (2)	2003-XB9R
4	G0120.02A8	AXLE, front	2003-XB9R
5	G0313.02A8	VALVE STEM ASM.	2003-XB9R
6	G0325.02A8	AXLE SPACER, front	2003-XB9R
7	G0110.02A8WAX	WHEEL ASM., front w/ bearings, center spacer & valve stem (stardust silver)	2003-XB9R
8	H1201.02A8	BRAKE ROTOR KIT, front w/ rotor, bolts, bushings, springs & washers	2003-XB9R
9	H0505.02A8	SPRING, front rotor (6)	2003-XB9R
10	H0506.02A8	DRIVE BUSHING, front rotor mount (6)	2003-XB9R

REAR WHEEL



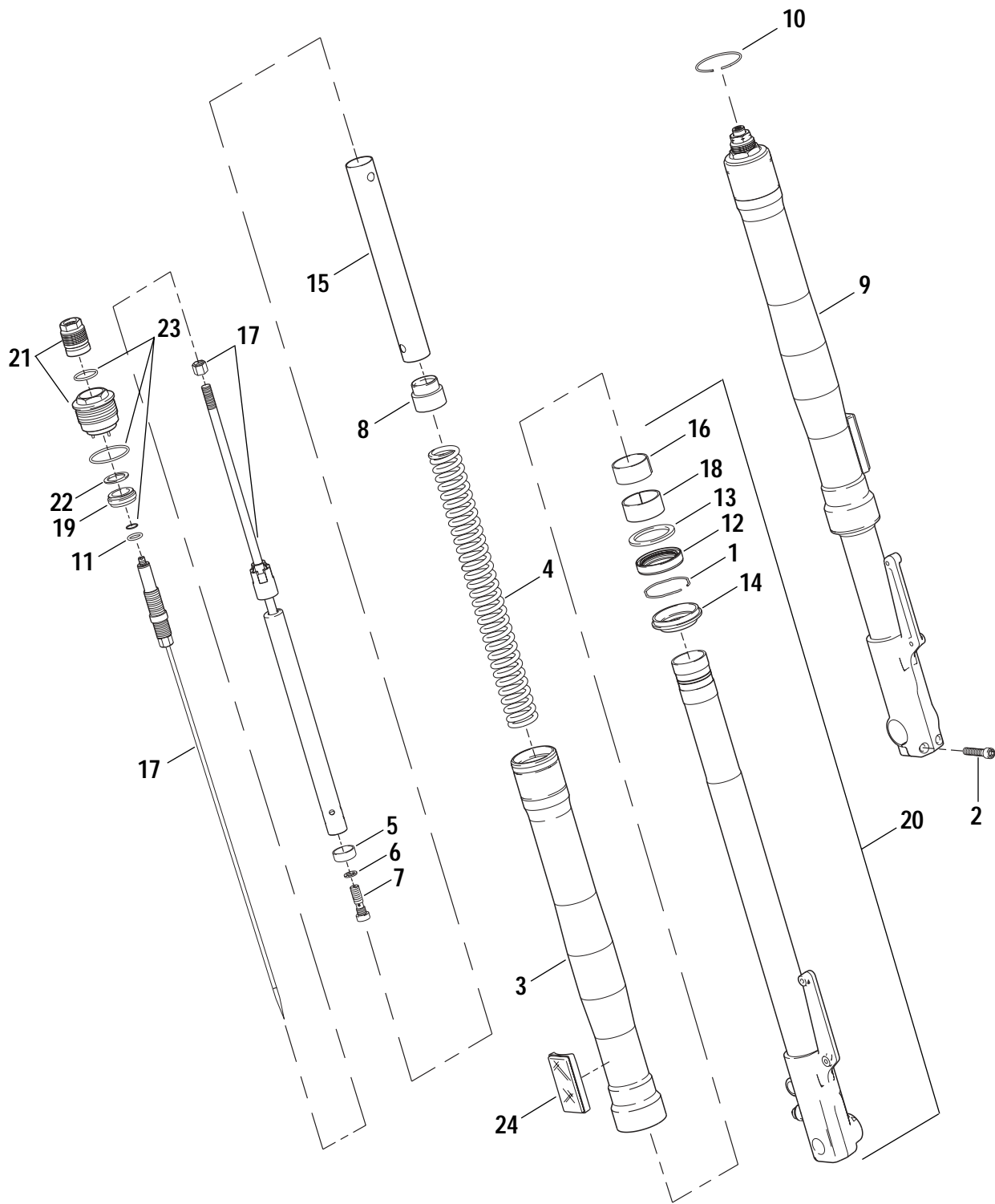
INDEX NO.	PART NO.	DESCRIPTION	MODELS
1	CA0005.T	BOLT, rear brake rotor (6)	2003-XB9R
2	E0005.02A8	WHEEL BEARINGS (2)	2003-XB9R
3	G0309.02A8WAX	WHEEL ASM., rear w/ bearings, center spacer & valve stem (stardust silver)	2003-XB9R
4	G0313.02A8	VALVE STEM w/ cap	2003-XB9R
5	G0321.02A8	AXLE, rear	2003-XB9R
6	G0323.02A8	AXLE SPACER, rear	2003-XB9R
7	H0150.02A8	BRAKE ROTOR, rear	2003-XB9R

STEERING HEAD



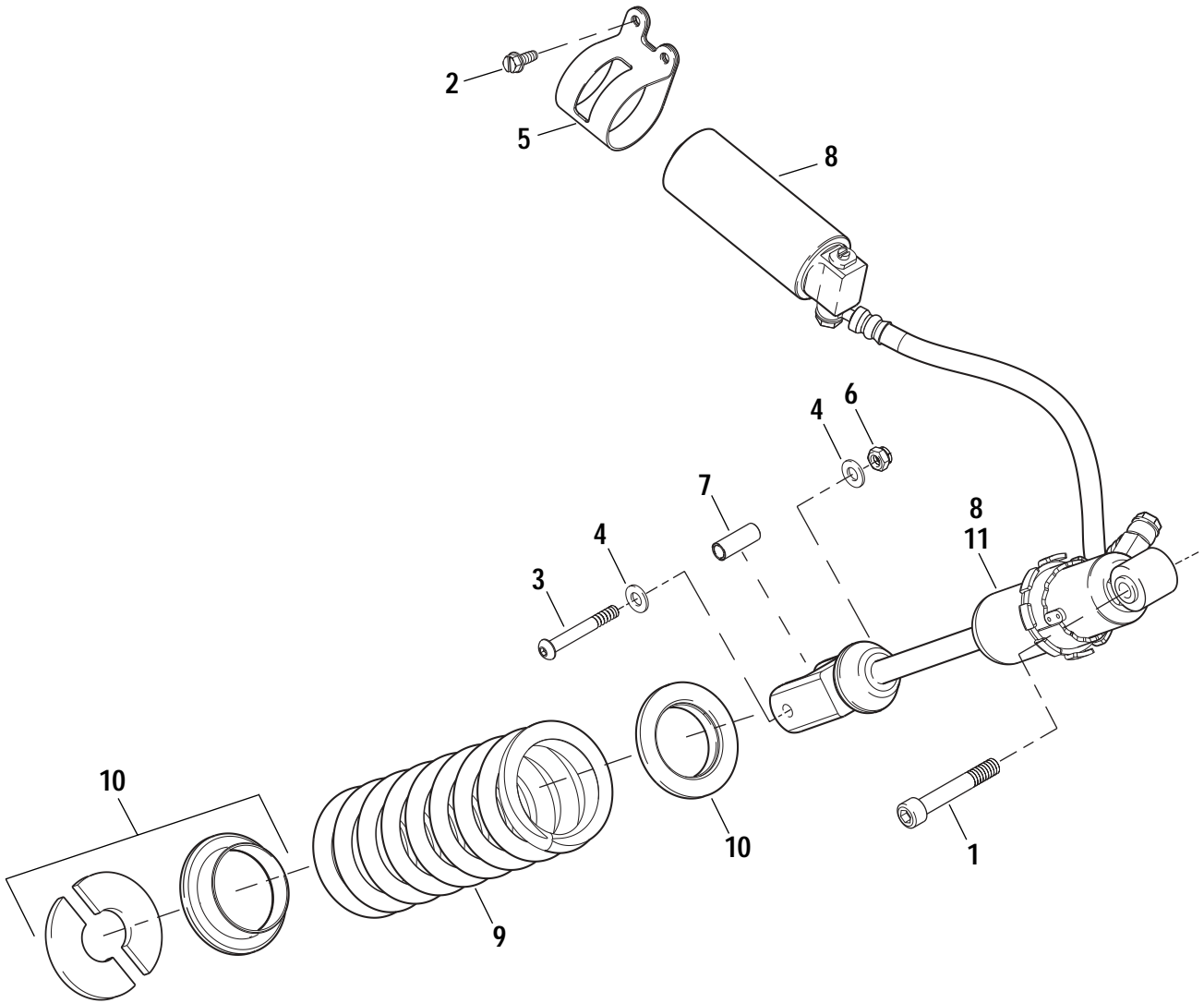
INDEX NO.	PART NO.	DESCRIPTION	MODELS
1	E0002.02A8	ROLLER BEARING w/ cup	2003-XB9R
2	AA0508.2CXZB	BOLT (4)	2003-XB9R
3	AA0608.2CXZB	BOLT (3)	2003-XB9R
4	J0106.02A8	TRIPLE CLAMP ASM., lower - w/ stem	2003-XB9R
5	J0135.02A8	CAPNUT	2003-XB9R
6	J1050.02A8	TRIPLE CLAMP ASM., w/ graphic	2003-XB9R
7	M0675.02A8	GRAPHIC PANEL, upper triple	2003-XB9R

FRONT FORK



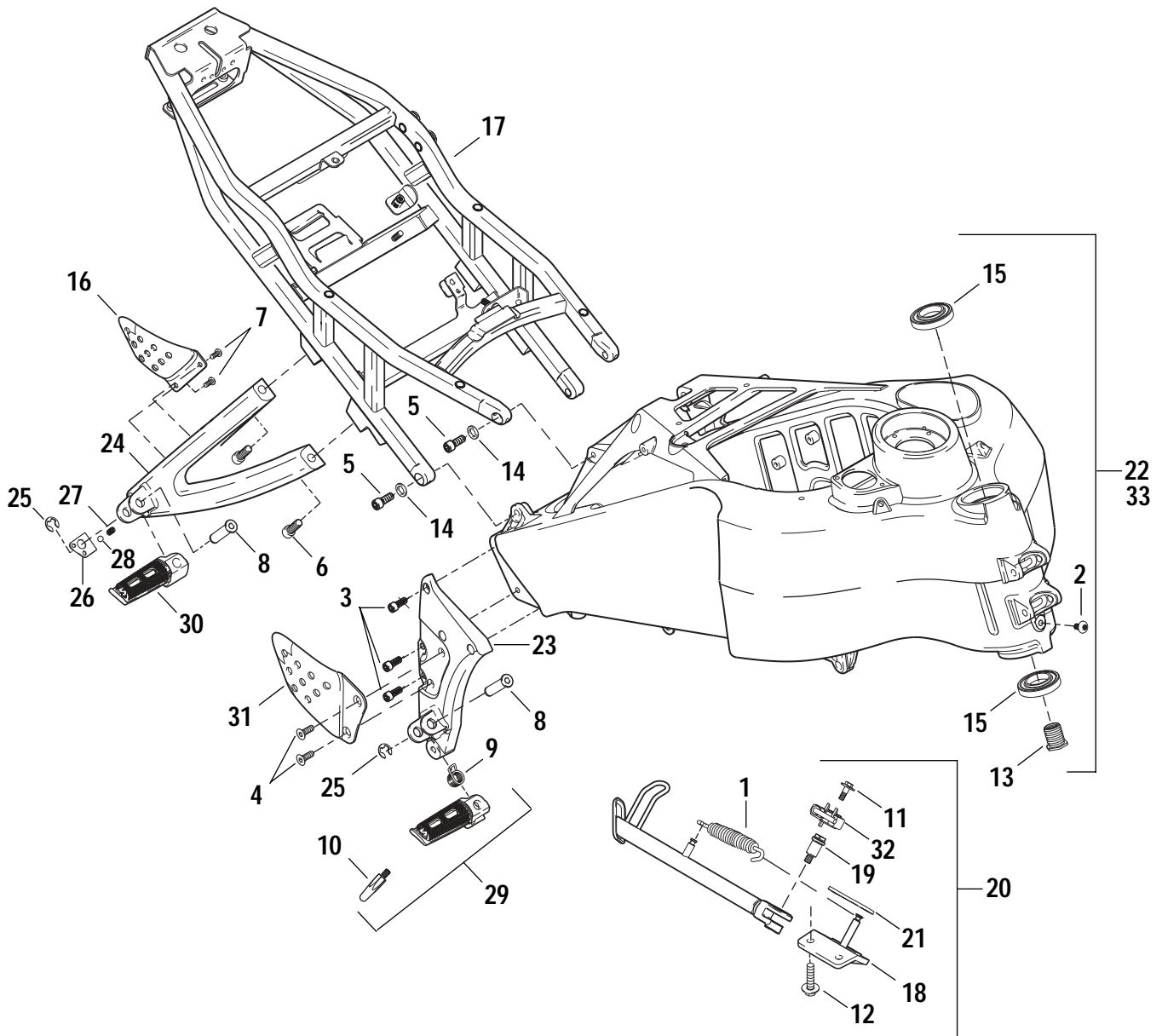
INDEX NO.	PART NO.	DESCRIPTION	MODELS
1	46047-97Y	OIL SEAL STOPPER RING (2)	2003-XB9R
2	AA0512.2CZB	PINCH BOLT, axle (4)	2003-XB9R
3	J0107.02A8	OUTER TUBE (2)	2003-XB9R
	C3009.E	PAD, protective (2) (not illustrated)	2003-XB9R
4	J0113.02A8	SPRING, fork (2)	2003-XB9R
5	J0114.02A8	CENTERING PLATE (2)	2003-XB9R
6	J0115.02A8	WASHER, fork (2)	2003-XB9R
7	J0116.02A8	BOLT, center (2)	2003-XB9R
8	J0117.02A8	SPRING JOINT, fork (2)	2003-XB9R
9	J0121.02A8	FRONT FORK ASM. LH	2003-XB9R
	J0122.02A8	FRONT FORK ASM. RH	2003-XB9R
10	J0124.02A8	STOPPER RING (2)	2003-XB9R
11	J8124.02A8	SNAP RING (2)	2003-XB9R
12	J8127.02A8	OIL SEAL (2)	2003-XB9R
13	J8128.02A8	SEAL SPACER (2)	2003-XB9R
14	J8130.02A8	DUST SEAL (2)	2003-XB9R
15	J8135.02A8	SPRING COLLAR, fork (2)	2003-XB9R
16	J8138.02A8	SLIDE BUSHING (2)	2003-XB9R
17	J8139.02A8	DAMPER ASM., includes rebound adjuster asm., damper locknut, damper asm. (2)	2003-XB9R
18	J8140.02A8	GUIDE BUSHING (2)	2003-XB9R
19	J8141.02A8	SLIDER PISTON (2)	2003-XB9R
20	J8142.02A8	SLIDER COMPONENT ASM. LH, fork	2003-XB9R
	J8143.02A8	SLIDER COMPONENT ASM. RH, fork	2003-XB9R
21	J8144.02A8	PRELOAD ADJUSTMENT ASM., includes fork cap asm. & rebound adjuster(2)	2003-XB9R
22	J8145.02A8	WASHER, preload (2)	2003-XB9R
23	J9147.02A8	O-RING SET (2)	2003-XB9R
24	M0106.02A8	REFLECTOR ASM., amber (2)	2003-XB9R

REAR SHOCK ABSORBER



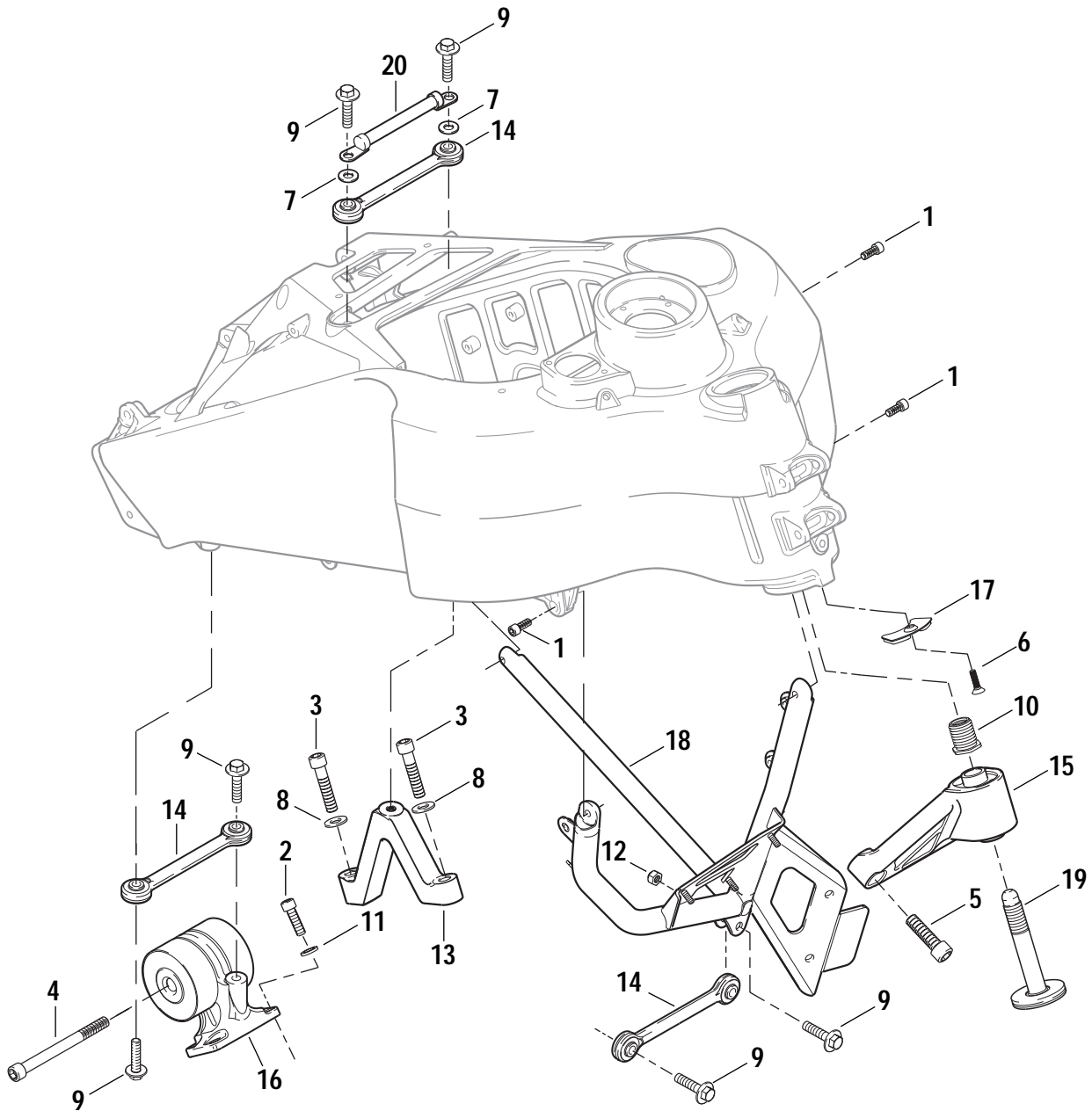
INDEX NO.	PART NO.	DESCRIPTION	MODELS
1	A1065.2CZB	SCREW	2003-XB9R
2	AA0406.21CZB	SCREW (2)	2003-XB9R
3	CA0020.02A8	SCREW	2003-XB9R
4	BA0511.2Z	WASHER (2)	2003-XB9R
5	C0025.02A8	CLAMP, rear shock reservoir	2003-XB9R
6	DA0500.10CZ	NUT	2003-XB9R
7	K0402.02A8	SLEEVE, shock mount	2003-XB9R
8	K0410.02A8	REAR SHOCK ASM., includes shock spring & retainer kit	2003-XB9R
9	K0424.02A8	SPRING, rear shock	2003-XB9R
10	K0425.02A8	RETAINER KIT, shock	2003-XB9R
INTERNATIONAL ONLY			
11	K0001.02A8	REAR SHOCK KIT w/ labels (JPN)	2003-XB9R

FRAME



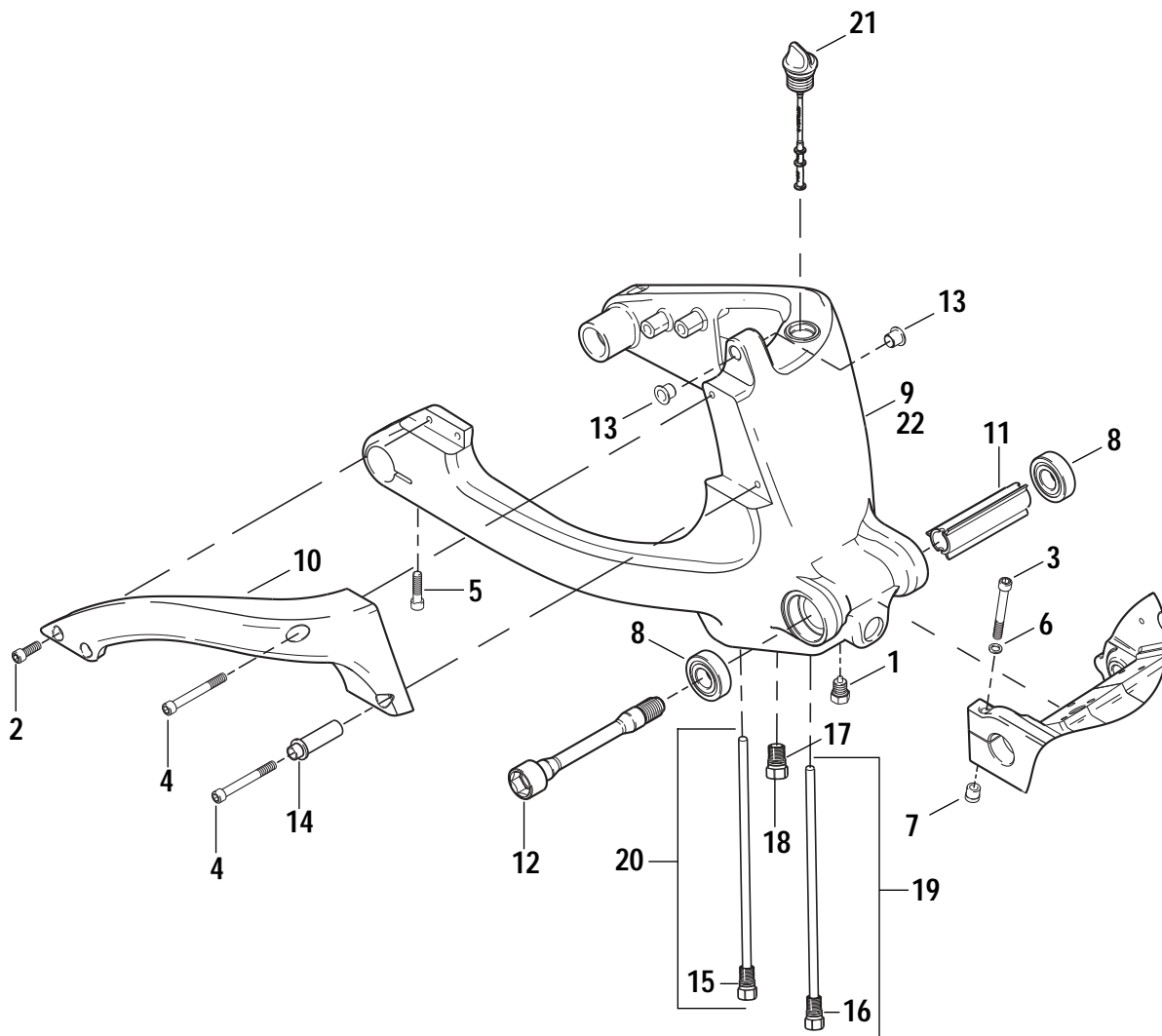
INDEX NO.	PART NO.	DESCRIPTION	MODELS
1	50005-85A	SPRING, sidestand	2003-XB9R
2	AA0404.11CDBL	SCREW	2003-XB9R
3	AA0406.2CZB	BOLT (5)	2003-XB9R
	AA0409.5CZB	BOLT, LH rider heel guard (not illustrated)	2003-XB9R
4	AA0404.5CZB	BOLT (4)	2003-XB9R
5	AA0508.2CXZB	SCREW (4)	2003-XB9R
6	AA0608.2CXZB	BOLT (4)	2003-XB9R
7	2533	BOLT, passenger heel guards (4)	2003-XB9R
	C0098.02A8	CLIP, LH rider heel guard (not illustrated)	2003-XB9R
8	C0235.02A8	PIN, footpeg (2)	2003-XB9R
9	C0249.02A8	SPRING RH, rider footpeg	2003-XB9R
	C0250.02A8	SPRING LH, rider footpeg (not illustrated)	2003-XB9R
10	C0255.02A8	WEAR PEG, rider footpeg (2)	2003-XB9R
11	CA0010.02A8	BOLT (1)	2003-XB9R
12	CA0015.02A8	BOLT (2)	2003-XB9R
13	C0028.02A8	THREAD, insert	2003-XB9R
14	CB0002.T	WASHER (4)	2003-XB9R
15	E0002.02A8	BEARING, race (2)	2003-XB9R
	L0078.02A8	HEEL GUARD LH, passenger (not illustrated)	2003-XB9R
16	L0079.02A8	HEEL GUARD RH, passenger	2003-XB9R
17	L0090.02A8	SUBFRAME TAIL ASM.	2003-XB9R
18	L0152.02A8	BRACKET ASM., sidestand	2003-XB9R
19	L0174.02A8	PIVOT BOLT, sidestand	2003-XB9R
20	L0194.02A8A	SIDESTAND ASM.	2003-XB9R
21	L0203.02A8	PLATE, sidestand spring extension	2003-XB9R
22	L0600.02A8	FRAME/FUEL TANK ASM. KIT, front w/ bearing races & labels (See FUEL TANK & PUMP pages for more information on kit)	2003-XB9R
	L0605.02A8	FRAME/FUEL TANK ASM. KIT, front w/ bearing races & labels (CAL)	2003-XB9R
	M0300.YBD	PAINT, touch-up frame, silver 0.5oz. (not illustrated)	2003-XB9R
	M0310.YBD	PAINT, touch-up frame, silver aerosol (not illustrated)	2003-XB9R
23	N0401.02A8	BRACKET RH, footpeg mount, rider	2003-XB9R
	N0402.02A8	BRACKET LH, footpeg mount, rider (not illustrated)	2003-XB9R
	N0405.02A8	BRACKET LH, footpeg mount, passenger (not illustrated)	2003-XB9R
24	N0406.02A8	BRACKET RH, footpeg mount, passenger	2003-XB9R
25	N0425.02A8	CLIP, footpeg (2)	2003-XB9R
26	N0427.02A8	DETENT PLATE, passenger (2)	2003-XB9R
27	N0428.02A8	SPRING, passenger footpeg (2)	2003-XB9R
28	N0429.02A8	BALL, passenger (2)	2003-XB9R
	N0520.02A8	FOOTPEG LH, rider w/ wear peg (not illustrated)	2003-XB9R
29	N0521.02A8	FOOTPEG RH, rider w/ wear peg	2003-XB9R
	N0552.02A8	FOOTPEG LH, passenger (not illustrated)	2003-XB9R
30	N0553.02A8	FOOTPEG RH, passenger	2003-XB9R
	N0554.02A8	HEEL GUARD LH, rider (not illustrated)	2003-XB9R
31	N0555.02A8	HEEL GUARD RH, rider	2003-XB9R
32	Y0800.02A8	SWTICH, sidestand	2003-XB9R
INTERNATIONAL ONLY			
33	L0601.02A8	FRAME/FUEL TANK ASM. KIT, front w/ bearing races & labels (CAN)	2003-XB9R
	L0602.02A8	FRAME/FUEL TANK ASM. KIT, front w/ bearing races & labels (ENG, EUR)	2003-XB9R
	L0603.02A8	FRAME/FUEL TANK ASM. KIT, front w/ bearing races & labels (AUS)	2003-XB9R
	L0604.02A8	FRAME/FUEL TANK ASM. KIT, front w/ bearing races & labels (JPN)	2003-XB9R
	N0097.02A8	BRACKET LH, footpeg mount, rider w/ label (AUS) (not illustrated)	2003-XB9R
	N0098.02A8	BRACKET LH, footpeg mount, rider w/ label (JPN) (not illustrated)	2003-XB9R

ENGINE MOUNTS



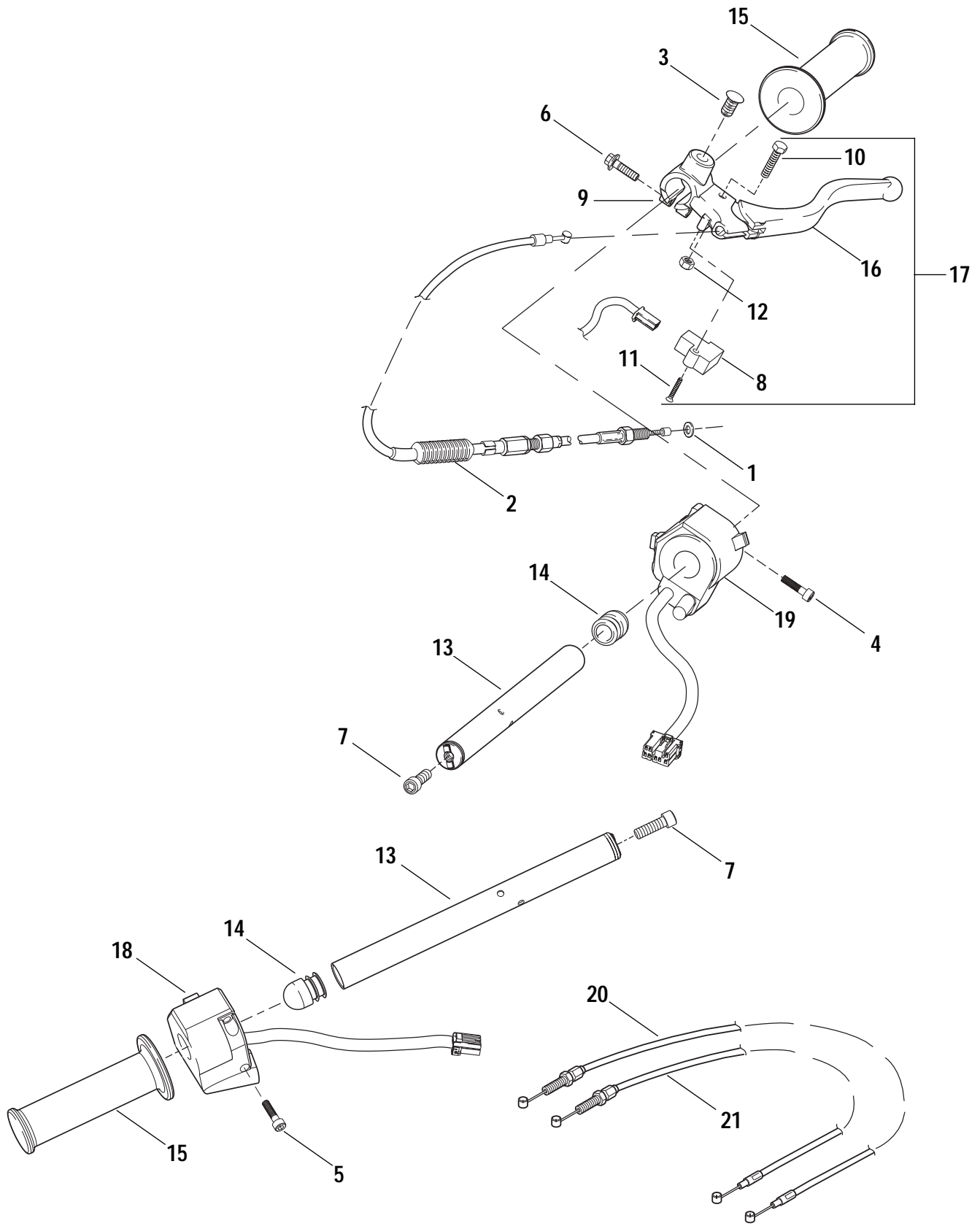
INDEX NO.	PART NO.	DESCRIPTION	MODELS
	10059A	CLAMP (not illustrated)	2003-XB9R
	10112	CLAMP (not illustrated)	2003-XB9R
1	AA0405.2CXZB	SCREW (3)	2003-XB9R
2	AA0508.2CZB	BOLT (4)	2003-XB9R
3	AA0615.2CZB	SCREW (2)	2003-XB9R
4	AA0634.2CZB	SCREW	2003-XB9R
5	AA0712.2CZB	SCREW (2)	2003-XB9R
6	AN0805.5CSS	SCREW	2003-XB9R
7	BA0511.2Z	WASHER (2)	2003-XB9R
8	BA0613.2Z	WASHER (2)	2003-XB9R
9	CA0015.02A8	BOLT, flange head (6)	2003-XB9R
10	C0028.02A8	THREAD INSERT	2003-XB9R
11	CB0002.T	WASHER (4)	2003-XB9R
12	DA0500.2CZ	LOCK NUT	2003-XB9R
13	L0160.02A8	MOUNT, center tiebar	2003-XB9R
14	L0500.02A8	TIEBAR ASM. (3)	2003-XB9R
15	L0501.02A8	ISOLATOR ASM., front	2003-XB9R
16	L0502.02A8	ISOLATOR ASM., rear	2003-XB9R
17	L0506.02A8	SNUBBER, front isolator upper	2003-XB9R
18	L0511.02A8	"W" BRACKET ASM.	2003-XB9R
19	L0512.02A8	BOLT, front isolator	2003-XB9R
20	Y0307.02A8	CABLE, negative battery	2003-XB9R

SWINGARM



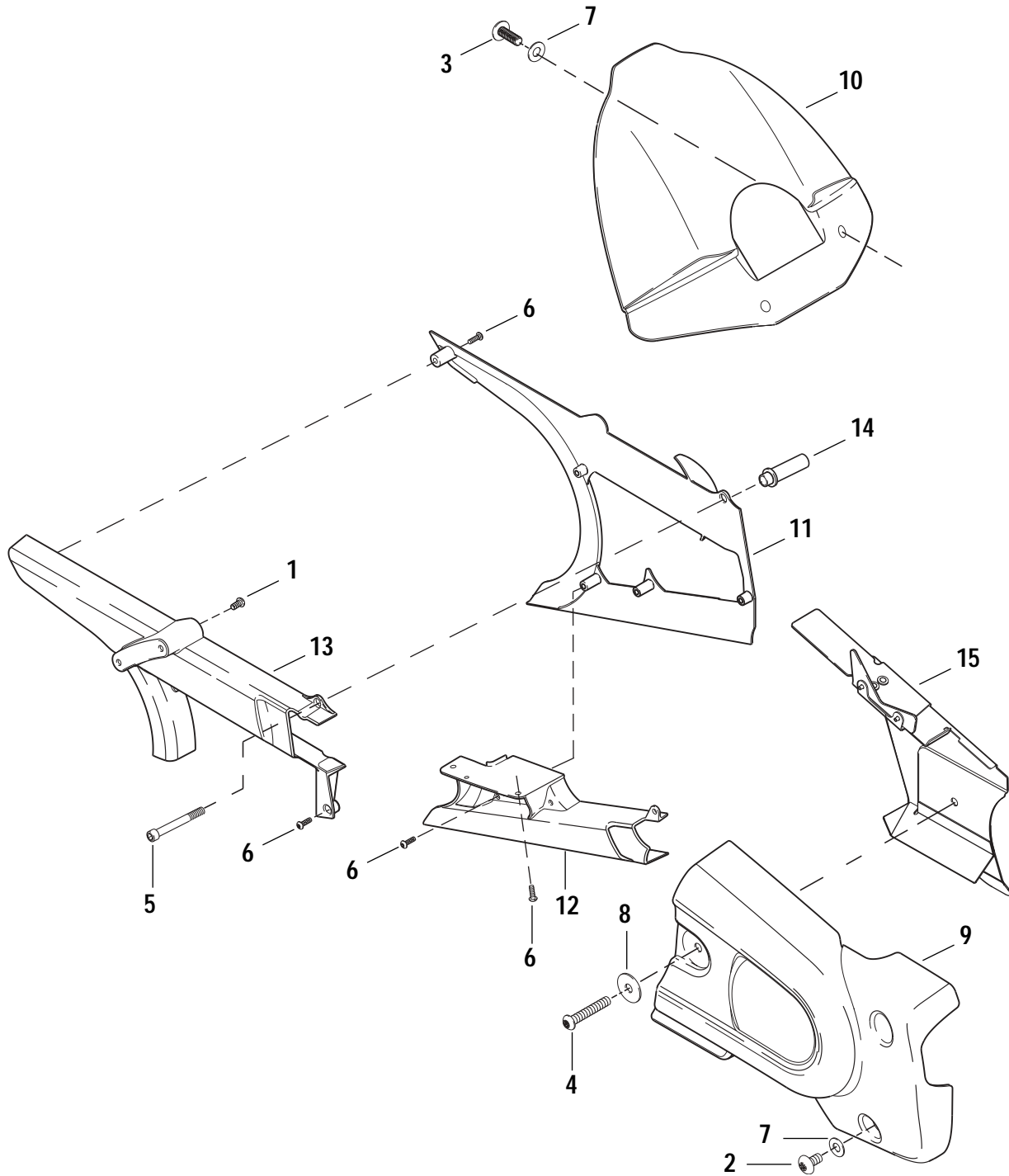
INDEX NO.	PART NO.	DESCRIPTION	MODELS
	11105	O-RING, oil drain plug (not illustrated)	2003-XB9R
1	60328-98A	PLUG, oil drain	2003-XB9R
2	AA0507.2CZB	BOLT (2)	2003-XB9R
3	AA0520.2CXZB	SCREW	2003-XB9R
4	AA0522.2CZB	SCREW (2)	2003-XB9R
5	AA0712.2CZB	PINCH BOLT, axle head	2003-XB9R
6	CB0002.T	WASHER, pinch bolt	2003-XB9R
7	CD0002.T	NUT	2003-XB9R
8	E0006.02A8	BEARING, swingarm (2)	2003-XB9R
9	K0003.02A8	SWINGARM w/ label(s)	2003-XB9R
10	K0101.02A8	BRACE, swingarm	2003-XB9R
11	K0158.02A8	SPACER, swingarm bearing	2003-XB9R
12	K0200.02A8	SHAFT, swingarm pivot	2003-XB9R
13	K0403.02A8	BUSHING, rear shock (2)	2003-XB9R
14	M0567.02A8	SPACER, belt guard	2003-XB9R
15	Q0011.02A8	O-RING, oil breather fitting	2003-XB9R
16	Q0012.02A8	O-RING, oil return fitting	2003-XB9R
17	Q0013.02A8	O-RING, oil feeder fitting	2003-XB9R
18	Q0102.02A8	FITTING ASM., oil feeder w/ o-ring	2003-XB9R
19	Q0104.02A8	TUBE ASM., oil return w/ o-ring	2003-XB9R
20	Q0107.02A8	TUBE ASM., oil breather w/ o-ring	2003-XB9R
	Q0109.02A8	O-RING, oil filler plug (not illustrated)	2003-XB9R
21	Q0127.02A8	OIL FILLER PLUG ASM. w/ o-ring	2003-XB9R
INTERNATIONAL ONLY			
22	K0002.02A8	SWINGARM w/ label(s) (JPN)	2003-XB9R

HANDLEBARS & HAND CONTROLS



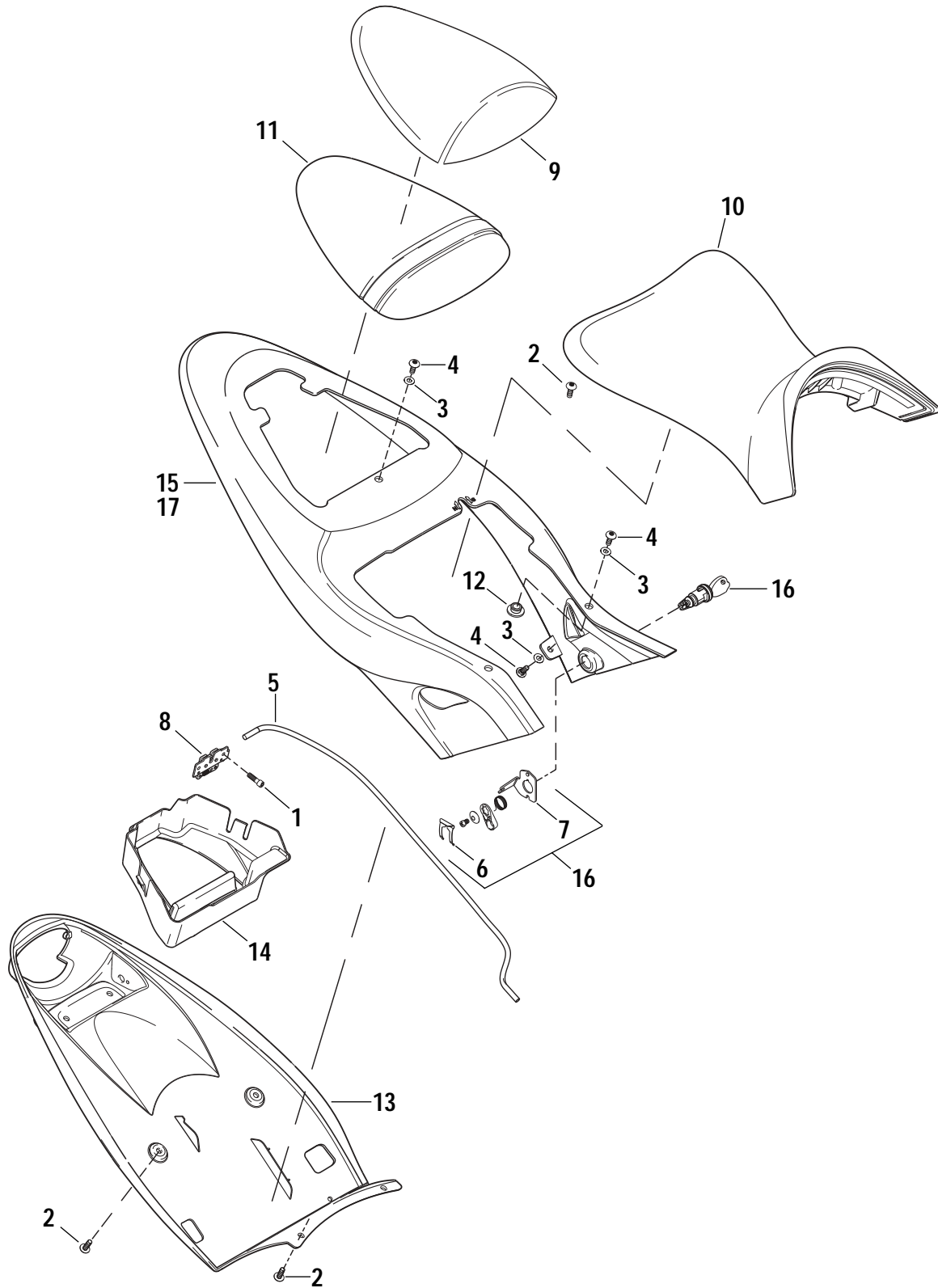
INDEX NO.	PART NO.	DESCRIPTION	MODELS
1	11179	O-RING	2003-XB9R
2	38627-02A	CLUTCH CABLE	2003-XB9R
3	91960-97Y	PLUG, mirror mount	2003-XB9R
4	A0525.2CBL	SCREW (3)	2003-XB9R
5	A0540.2CBL	SCREW	2003-XB9R
6	A0622.21CBL	BOLT, clutch lever pinch	2003-XB9R
7	AA0508.2CXZB	SCREW (2)	2003-XB9R
8	C0145.T	SWITCH, clutch lever	2003-XB9R
9	C0149.T	BRACKET, clutch lever	2003-XB9R
10	CA0002.T	BOLT, switch lever asm.	2003-XB9R
11	CA0006.T	SCREW, switch mounting	2003-XB9R
12	CD0001.T	NUT, clutch lever asm.	2003-XB9R
13	N0002.02A8	HANDLEBAR, clip-on (2)	2003-XB9R
14	N0010.02A8	END CAP (2)	2003-XB9R
15	N0050.K	HAND GRIP LH	2003-XB9R
	N0051.K	HAND GRIP RH	2003-XB9R
16	N0102.02A8	CLUTCH LEVER	2003-XB9R
17	N0104.02A8	CLUTCH LEVER ASM.	2003-XB9R
18	N0158.TA	SWITCH GEAR RH	2003-XB9R
19	N0159.TA	SWITCH GEAR LH	2003-XB9R
20	N0307.02A8	CABLE, throttle control	2003-XB9R
21	N0308.02A8	CABLE, idle control	2003-XB9R

REAR FENDER & BELT GUARDS



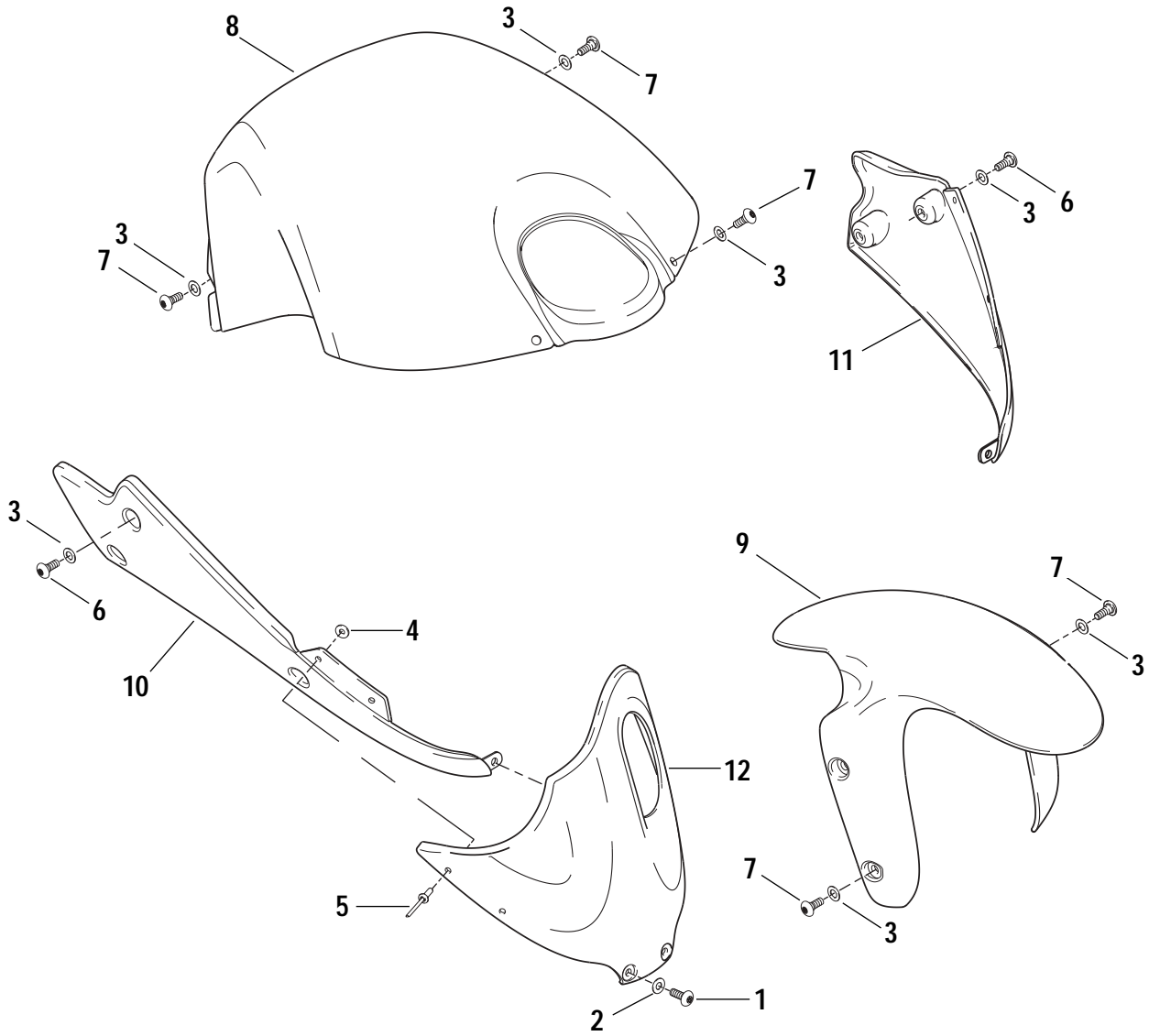
INDEX NO.	PART NO.	DESCRIPTION	MODELS
1	AA0404.10CSS	SCREW (2)	2003-XB9R
2	AA0404.11CDBL	SCREW, sprocket cover (2)	2003-XB9R
3	AA0406.11CXDBL	SCREW, rear inner fender (2)	2003-XB9R
4	AA0412.11CDBL	SCREW, sprocket cover	2003-XB9R
5	AA0522.2CZB	SCREW	2003-XB9R
6	AN1005.3CBBL	SCREW (9)	2003-XB9R
7	BA0409.6BL	WASHER (6)	2003-XB9R
8	CA0012.02A8	WASHER	2003-XB9R
9	G0555.02A8A	SPROCKET COVER, front	2003-XB9R
10	M0550.02A8	REAR INNER FENDER	2003-XB9R
11	M0564.02A8	BELT GUARD, inner panel	2003-XB9R
12	M0565.02A8	BELT GUARD, outer bottom panel	2003-XB9R
13	M0566.02A8	BELT GUARD, top outer panel	2003-XB9R
14	M0567.02A8	SPACER, belt guard	2003-XB9R
15	M0568.02A8	DEFLECTOR, stone	2003-XB9R

SEAT, TAIL SECTION & TRUNK



INDEX NO.	PART NO.	DESCRIPTION	MODELS
1	A0620.2CZB	BOLT (2)	2003-XB9R
2	AA0406.11CDBL	SCREW (6)	2003-XB9R
3	BA0509.6	WASHER(5)	2003-XB9R
4	CA0018.02A8	SCREW, shoulder (5)	2003-XB9R
5	M0066.02A8	CABLE, seat lock	2003-XB9R
6	M0067.02A8	RETAINER, seat lock	2003-XB9R
7	M0068.02A8	PLATE, seal lock	2003-XB9R
8	M0069.02A8	LATCH, seat lock	2003-XB9R
9	M0087.02A8MAW	COWL, passenger seat (arctic white)	2003-XB9R
	M0087.02A8MBB	COWL, passenger seat (battle blue)	2003-XB9R
10	M0090.02A8	SEAT, rider, complete	2003-XB9R
11	M0091.02A8	SEAT, passenger, complete	2003-XB9R
12	M0704.02A8	GROMMET, bodywork, rubber (3)	2003-XB9R
13	M0756.02A8	TRUNK	2003-XB9R
14	M0905.02A8	LINER, trunk	2003-XB9R
15	M1664.02A8MAW	TAIL SECTION KIT w/ orange/white decal (arctic white)	2003-XB9R
	M1664.02A8MBB	TAIL SECTION KIT w/ orange/white decal (battle blue)	2003-XB9R
16	Y0725.02A8	SEAT LOCK w/ key(s)	2003-XB9R
INTERNATIONAL ONLY			
17	M1665.02A8MAW	TAIL SECTION KIT w/ orange/white decal (arctic white) (JPN)	2003-XB9R
	M1665.02A8MBB	TAIL SECTION KIT w/ orange/white decal (battle blue) (JPN)	2003-XB9R

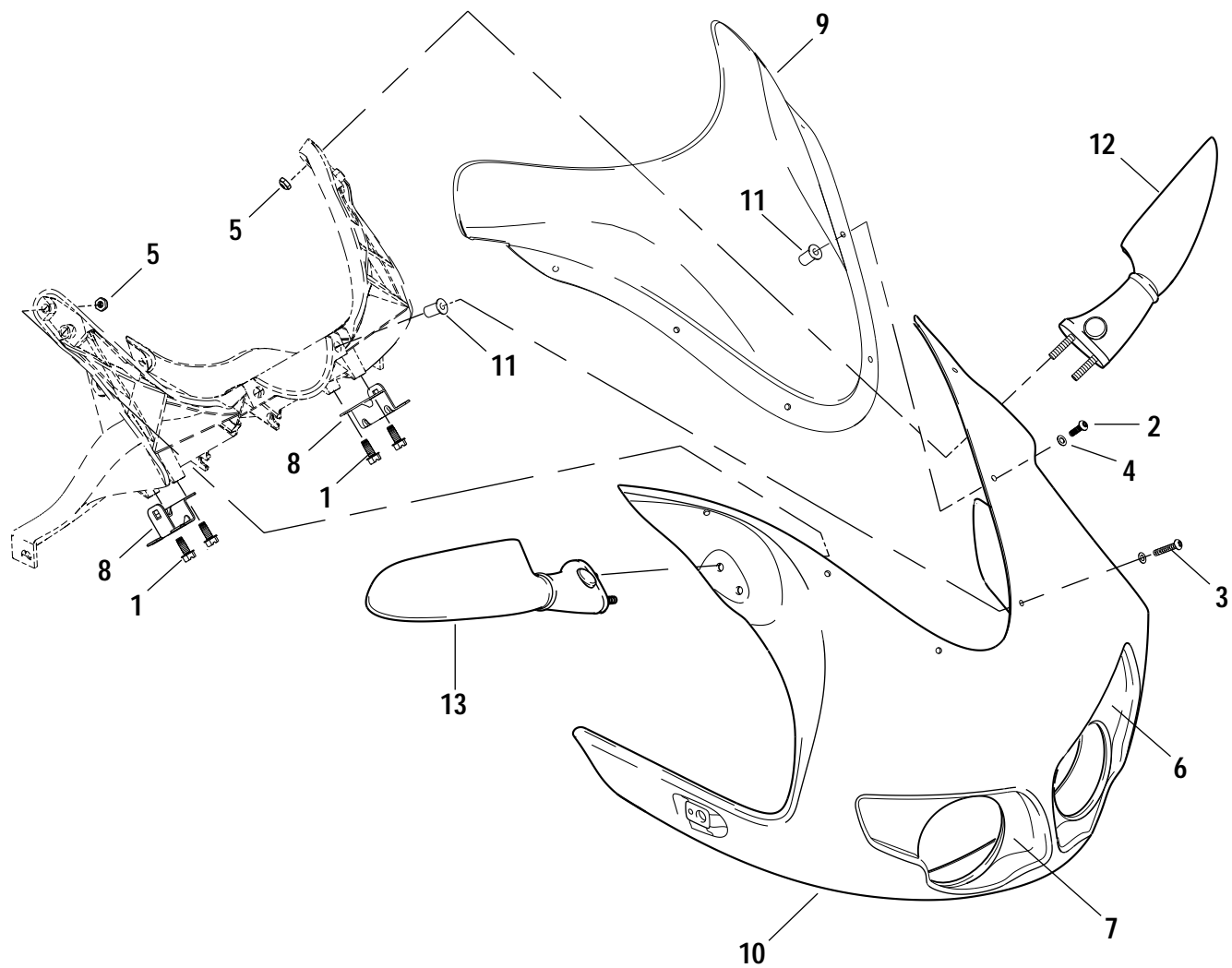
INTAKE COVER, FRONT FENDER & CHIN FAIRING



INTAKE COVER, FRONT FENDER & CHIN FAIRING

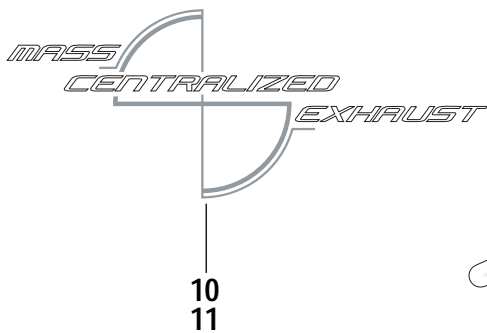
INDEX NO.	PART NO.	DESCRIPTION	MODELS
1	AA0404.11CXDBL	SCREW (2)	2003-XB9R
2	BA0409.6BL	WASHER (2)	2003-XB9R
3	BA0509.6	WASHER, nylon (13)	2003-XB9R
4	BN1000.1BL	WASHER, black (4)	2003-XB9R
5	C0520.02A8	RIVET, black (4)	2003-XB9R
6	CA0012.02A8	SCREW, shoulder (5)	2003-XB9R
7	CA0018.02A8	SCREW, shoulder (8)	2003-XB9R
8	M1224.02A8MAW	INTAKE COVER ASM. w/ trim & orange/white decal (arctic white)	2003-XB9R
	M1224.02A8MBB	INTAKE COVER ASM. w/ trim & orange/white decal (battle blue)	2003-XB9R
	M1225.02A8MAW	INTAKE COVER ASM. w/ trim & blue/orange decal (battle blue)	2003-XB9R
9	M0662.02A8MAW	FENDER, front (arctic white)	2003-XB9R
	M0662.02A8MBB	FENDER, front (battle blue)	2003-XB9R
10	M1647.02A8MAW	CHIN FAIRING KIT, RH w/ silver/blue decal (arctic white)	2003-XB9R
	M1647.02A8MBB	CHIN FAIRING KIT, RH w/ silver/white decal (battle blue)	2003-XB9R
11	M1648.02A8MAW	CHIN FAIRING, LH w/ silver/blue decal (arctic white)	2003-XB9R
	M1648.02A8MBB	CHIN FAIRING, LH w/ silver/white decal (battle blue)	2003-XB9R
12	M0698.02A8	CHIN FAIRING, center (black)	2003-XB9R

FRONT FAIRING, WINDSCREEN & MIRRORS



INDEX NO.	PART NO.	DESCRIPTION	MODELS
1	AA0406.21CRZ	SCREW (4)	2003-XB9R
2	AN1005.3CBBL	SCREW (4)	2003-XB9R
3	AN1010.3FSS	SCREW (2)	2003-XB9R
4	CB0009.02A8	WASHER, nylon (6)	2003-XB9R
5	D0600.2CZ	NUT (4)	2003-XB9R
6	M0064.02A8	BEZEL LH, front fairing, black w/ tape	2003-XB9R
7	M0065.02A8	BEZEL RH, front fairing, black w/ tape	2003-XB9R
8	M0073.02A8	FUSE BLOCK CARRIER (2)	2003-XB9R
9	M0600.02A8	WINDSCREEN	2003-XB9R
10	M1646.02A8MAW	FAIRING ASM., front w/ LH/RH bezels & blue/orange decal (arctic white)	2003-XB9R
	M1646.02A8MBB	FAIRING ASM., front w/ LH/RH bezels & orange/white decal (battle blue)	2003-XB9R
11	M0703.02A8	WELL NUT (6)	2003-XB9R
12	N0161.02A8	MIRROR, LH	2003-XB9R
13	N0162.02A8	MIRROR, RH	2003-XB9R

DECALS & LABELS



⚠ WARNING

Read Owner's Manual before riding, repairing or adding accessories to this motorcycle. Unstable Handling and/or loss of control may result from exceeding weight rating on frame label, adding unapproved accessories, or failing to retract side stand. Failure to follow warnings and cautions in the Owner's Manual may result in death or serious injury. (Owner's Manual is available from your Buell dealer. Call 1-800-490-9635 for the dealer nearest you.)

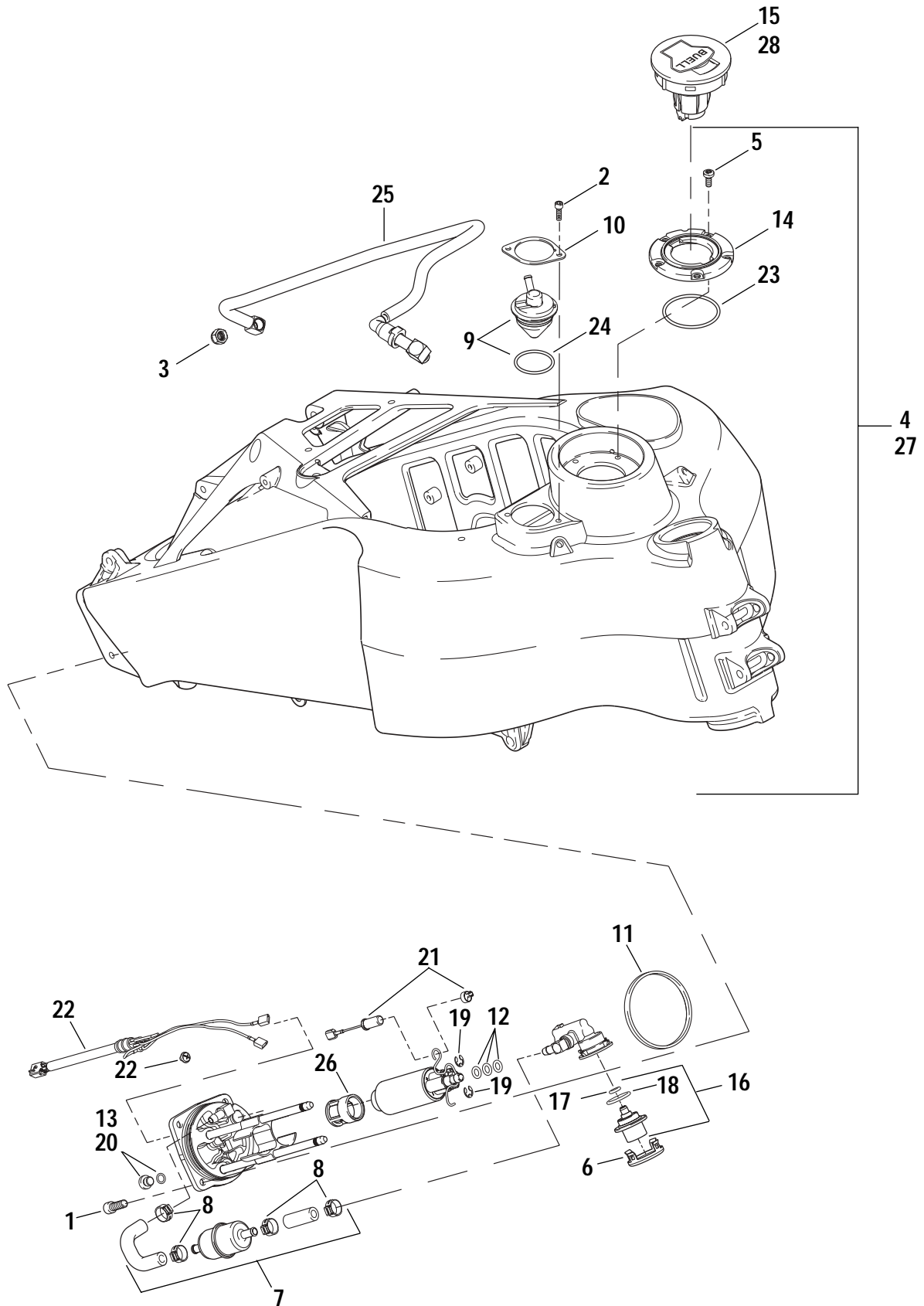
⚠ WARNING

The aluminum frame of this motorcycle is the fuel tank. Any drilling, welding, or other modification of this frame may lead to a fire or cause the frame to break, which could result in death or serious injury.

WARNING - DISCONNECT BATTERY (NEGATIVE TERMINAL FIRST) BEFORE PERFORMING ANY MECHANICAL SERVICE. ACCIDENTAL STARTER OPERATION COULD CAUSE INJURY.

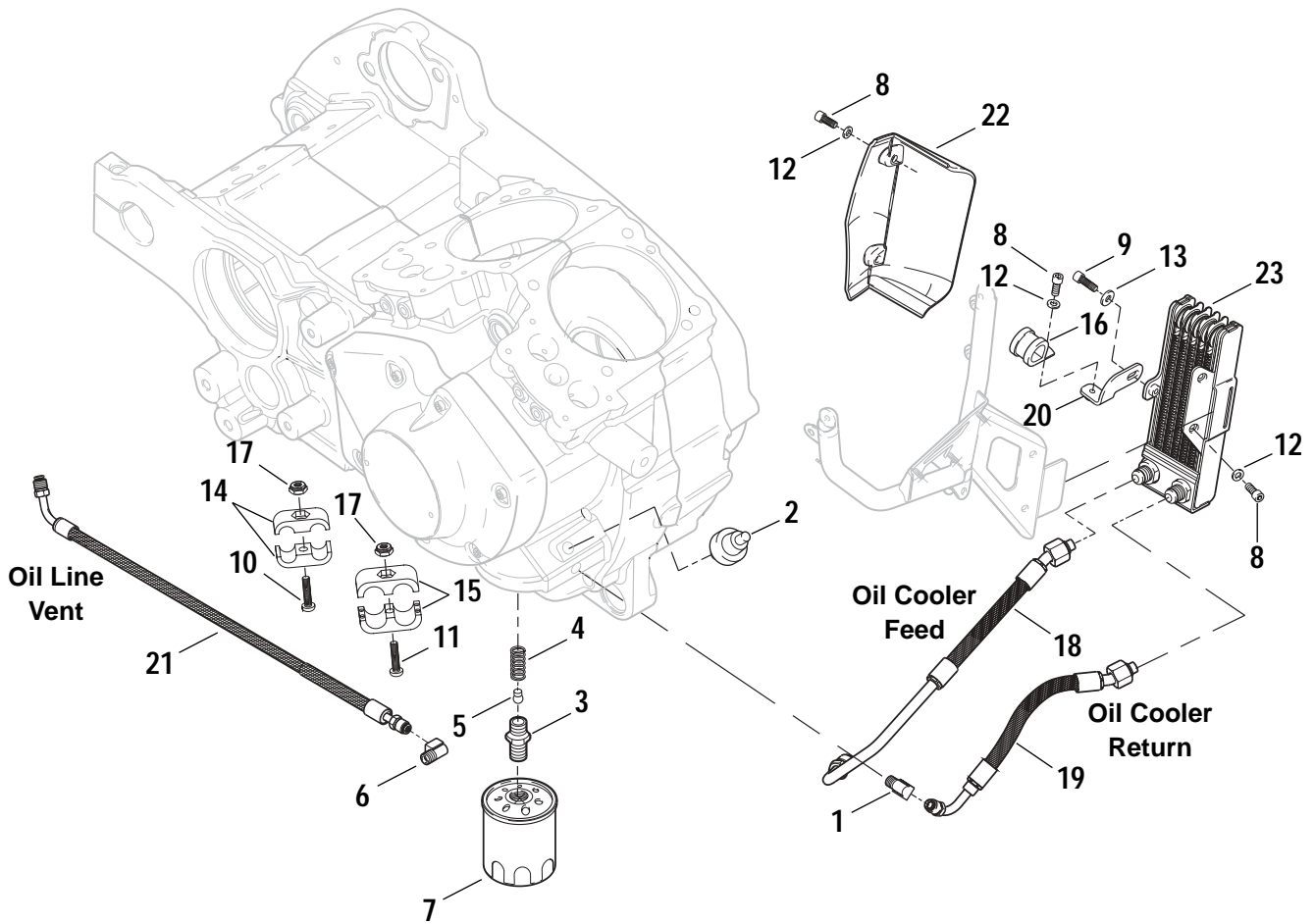
INDEX NO.	PART NO.	DESCRIPTION	MODELS
1	66042-79A	WARNING LABEL, battery	2003-XB9R
2	C0315.T	WARNING LABEL, general	2003-XB9R
	L0360.02A8	DECAL, fuse block, fuse position (not illustrated)	2003-XB9R
	L0361.02A8	DECAL, fuse block, fuse position (not illustrated)	2003-XB9R
3	L1011.02A8	WARNING LABEL, frame modifications (AUS, CAL, ENG, EUR)	2003-XB9R
4	M0725.02A8	DECAL, intake cover, orange/white	2003-XB9R
5	M0726.02A8	DECAL, tail/fairing, blue/orange	2003-XB9R
6	M0745.02A8	DECAL, tail/fairing, orange/white	2003-XB9R
7	M0750.02A8	DECAL, intake cover, blue/orange	2003-XB9R
8	M0766.02A8	DECAL, tail vent, silver/white	2003-XB9R
9	M0772.02A8	DECAL, tail vent, silver/blue	2003-XB9R
10	M0784.02A8	DECAL, chin fairing, silver/white	2003-XB9R
11	M0820.02A8	DECAL, chin fairing, silver/blue	2003-XB9R
INTERNATIONAL ONLY			
	14270-92	LABEL, shift pattern (JPN) (not illustrated)	2003-XB9R
	65948-00	WARNING LABEL, battery (JPN) (not illustrated)	2003-XB9R
	C0317.02A8	LABEL, noise (AUS) (not illustrated)	2003-XB9R

FUEL TANK & PUMP



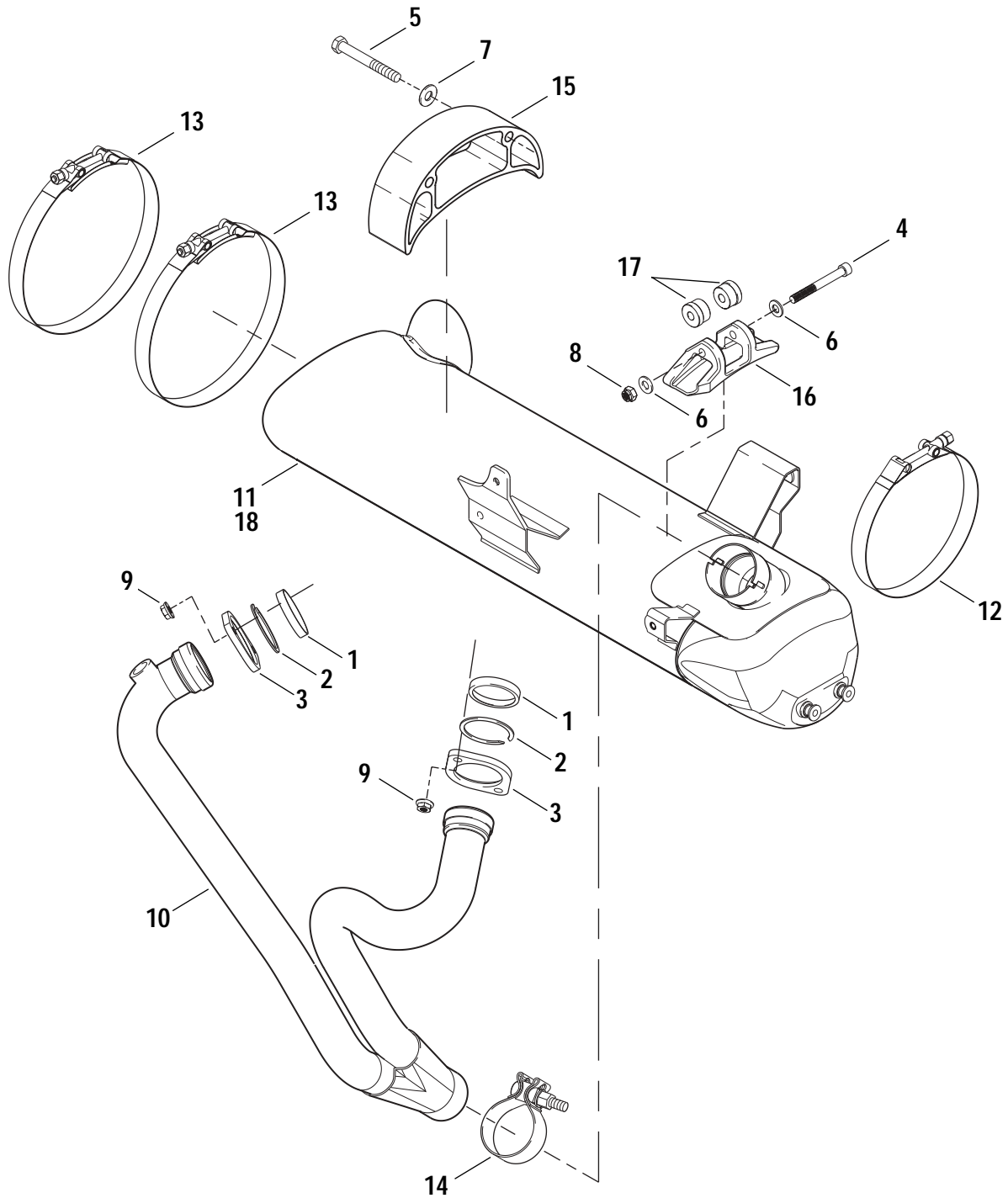
INDEX NO.	PART NO.	DESCRIPTION	MODELS
1	AA0406.2CZB	SCREW (4)	2003-XB9R
2	AN1004.2CZ	SCREW (2)	2003-XB9R
3	DA0500.8FZ	NUT	2003-XB9R
4	HS0015.02A8	SLEEVE (not illustrated)	2003-XB9R
	L0600.02A8	FRAME/FUEL TANK ASM KIT, Fuel pump & lines <u>not</u> included. See FRAME pages for more information on kit	2003-XB9R
	L0605.02A8	FRAME/FUEL TANK ASM. KIT, front w/bearing races & labels (CAL)	2003-XB9R
5	P0002.02A8	SCREW (5)	2003-XB9R
6	P0045.02A8	CLIP, regulator	2003-XB9R
7	P0100.02A8	FUEL FILTER, in line w/ hoses	2003-XB9R
8	P0104.02A8	CLAMP (5)	2003-XB9R
9	P0115.02A8	FUEL CELL VENT w/ fuel cell vent o-ring	2003-XB9R
10	P0119.02A8	RETAINING PLATE, fuel cell vent	2003-XB9R
11	P0121.02A8	O-RING (2)	2003-XB9R
12	P0125.02A8	O-RING (3)	2003-XB9R
13	P0127.02A8	O-RING	2003-XB9R
14	P0128.02A8	RETAINING RING, fuel cap	2003-XB9R
	P0130.02A8	FUEL PUMP ASM.	2003-XB9R
15	P0153.02A8	CAP, fuel tank w/ key(s)	2003-XB9R
16	P0166.K	REGULATOR w/ o-rings	2003-XB9R
17	P0177.K	O-RING, small regulator	2003-XB9R
18	P0178.K	O-RING, large regulator	2003-XB9R
19	P0187.02A8	E-CLIPS (4)	2003-XB9R
20	P0189.02A8	DRAIN PLUG w/ o-rings	2003-XB9R
21	P0191.02A8	SENSOR ASM., w/ screw kit	2003-XB9R
22	P0194.02A8	WIRE ASM., w/ screw kit	2003-XB9R
	P0198.02A8	O-RING KIT, banjo stud (not illustrated)	2003-XB9R
23	P0228.02A8	O-RING, fuel cap retaining ring	2003-XB9R
24	P0229.02A8	O-RING, fuel cell vent	2003-XB9R
25	P0464.02A8	FUEL LINE ASM.	2003-XB9R
26	P0806.K	FILTER, fuel pump, internal	2003-XB9R
INTERNATIONAL ONLY			
27	L0601.02A8	FRAME/FUEL TANK ASM. KIT, front w/ bearing races & labels (CAN)	2003-XB9R
	L0602.02A8	FRAME/FUEL TANK ASM. KIT, front w/ bearing races & labels (ENG, EUR)	2003-XB9R
	L0603.02A8	FRAME/FUEL TANK ASM. KIT, front w/ bearing races & labels (AUS)	2003-XB9R
	L0604.02A8	FRAME/FUEL TANK ASM. KIT, front w/ bearing races & labels (JPN)	2003-XB9R
28	P0099.02A8	CAP, fuel tank w/ label and key(s) (AUS)	2003-XB9R

OIL FILTER & HOSES



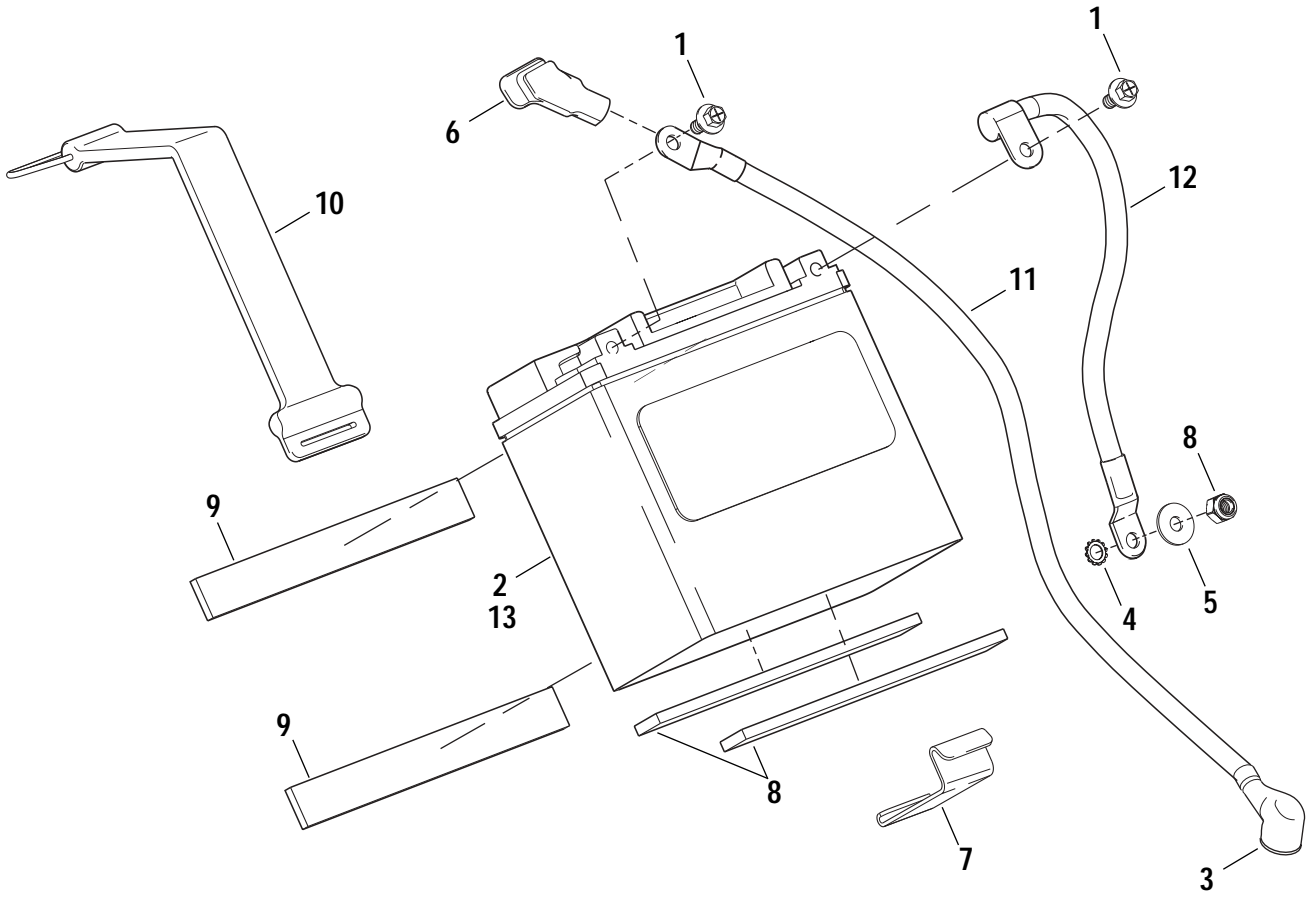
INDEX NO.	PART NO.	DESCRIPTION	MODELS
1	26359-02	FITTING, connector - 45 degree	2003-XB9R
2	26554-77	SWITCH, oil pressure	2003-XB9R
3	33117-91A	ADAPTER, oil filter	2003-XB9R
4	33154-00Y	SPRING	2003-XB9R
5	33155-00Y	BALL	2003-XB9R
6	62376-02	FITTING	2003-XB9R
7	63806-00Y	OIL FILTER	2003-XB9R
8	AA0405.2CXZB	SCREW (2)	2003-XB9R
9	AA0406.2CZB	SCREW	2003-XB9R
10	AN1005.14FZB	SCREW	2003-XB9R
11	AN1006.14FZB	SCREW	2003-XB9R
12	B0613.1Z	WASHER (2)	2003-XB9R
13	BA0410.3Z	WASHER	2003-XB9R
14	C0034.02A8	CLAMP, 3/8" routing holes	2003-XB9R
15	C0035.02A8	CLAMP, 1/2" routing holes	2003-XB9R
16	C0529.M	CLAMP	2003-XB9R
17	DN1000.10FZB	NUT (2)	2003-XB9R
18	HS0008.02A8	HOSE, oil cooler feed	2003-XB9R
19	HS0009.02A8	HOSE, oil cooler return	2003-XB9R
20	L0077.02A8	BRACKET, stabilizer	2003-XB9R
21	L2117.02A8	HOSE, oil line vent	2003-XB9R
22	M0070.02A8	SCOOP, oil cooler	2003-XB9R
23	Q0002.02A8	OIL COOLER	2003-XB9R

EXHAUST SYSTEM



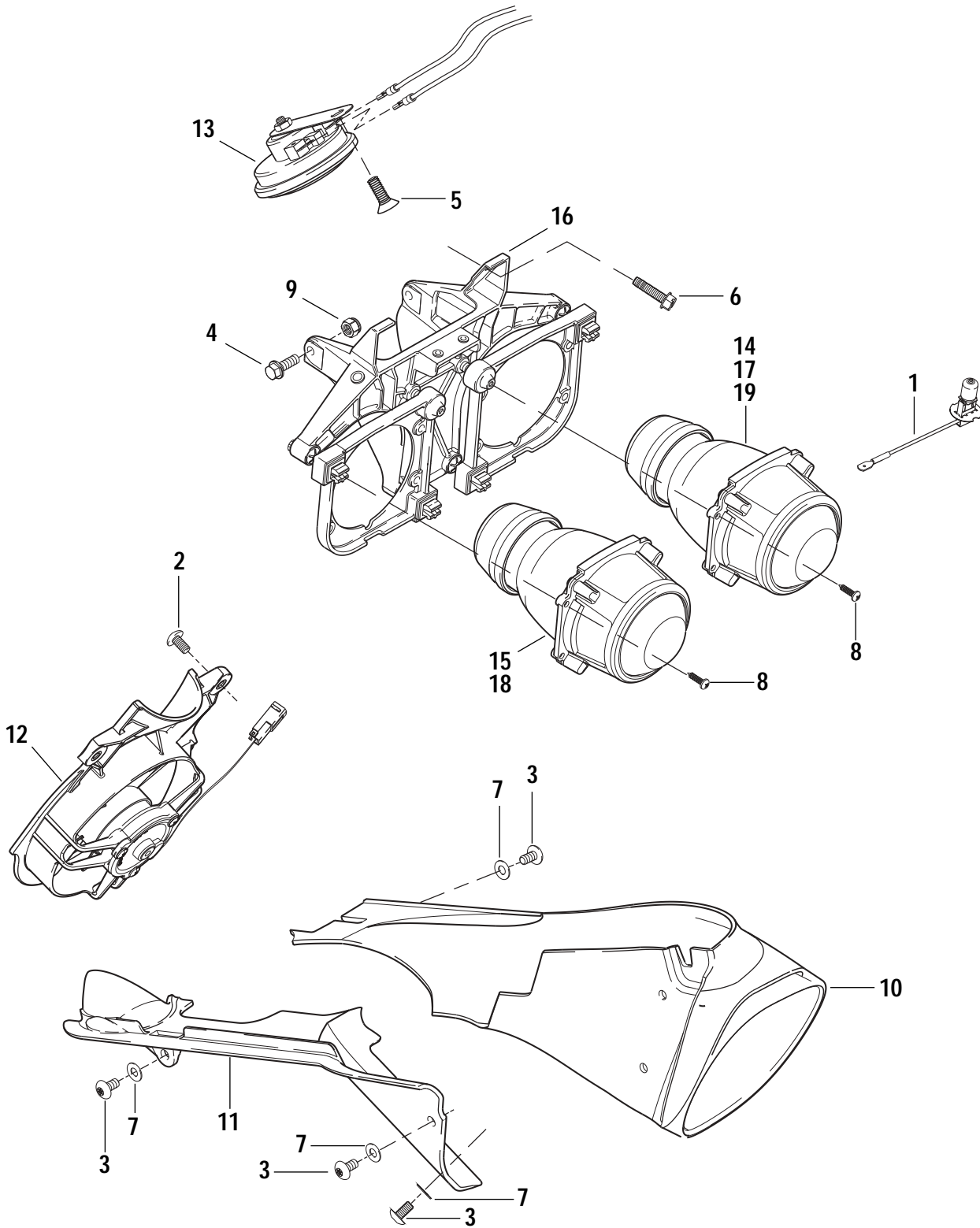
INDEX NO.	PART NO.	DESCRIPTION	MODELS
1	65324-83A	GASKET, exhaust port (2)	2003-XB9R
2	65325-83A	RETAINING RING, exhaust (2)	2003-XB9R
3	65328-83	CLAMP, exhaust ring (2)	2003-XB9R
4	AA0522.2CZB	SCREW	2003-XB9R
5	AA0624.1CZB	SCREW (2)	2003-XB9R
6	BA0511.2Z	WASHER (2)	2003-XB9R
7	BA0613.2Z	WASHER, flat (2)	2003-XB9R
8	DA0500.10CZ	NUT	2003-XB9R
9	DA0500.12FZ	NUT FLANGE (4)	2003-XB9R
10	S0101.02A8	HEADER	2003-XB9R
11	S0110.02A8	MUFFLER (DOM, CAL)	2003-XB9R
12	S0116.02A8	MUFFLER STRAP, front	2003-XB9R
13	S0123.02A8	MUFFLER STRAP, rear (2)	2003-XB9R
14	S0127.8	CLAMP, 2" torca	2003-XB9R
15	S0133.02A8	MUFFLER BRACKET, rear	2003-XB9R
16	S0135.02A8	MUFFLER MOUNT, front	2003-XB9R
17	S0136.02A8	BUSHING, front muffler mount (2)	2003-XB9R
INTERNATIONAL ONLY			
18	S0111.02A8	MUFFLER (AUS, CAN, ENG, EUR, JPN)	2003-XB9R

BATTERY



INDEX NO.	PART NO.	DESCRIPTION	MODELS
1	4312	SCREW (2)	2003-XB9R
2	65948-00	BATTERY	2003-XB9R
3	70578-89	BOOT, starter	2003-XB9R
4	BA0409.4Z	WASHER, star	2003-XB9R
5	B0613.1Z	WASHER	2003-XB9R
6	C0032.02A8	BOOT, battery terminal	2003-XB9R
7	C0041.02A8	BRACKET, battery strap	2003-XB9R
8	D0600.2CZ	LOCKNUT	2003-XB9R
9	Y0101.02A8	PAD, battery (4)	2003-XB9R
10	Y0103.02A8	STRAP, battery (rubber)	2003-XB9R
11	Y0320.02A8	CABLE, positive	2003-XB9R
12	Y0321.02A8	CABLE, negative	2003-XB9R
		INTERNATIONAL ONLY	
13	Y0024.02A8	BATTERY w/ label (JPN)	2003-XB9R

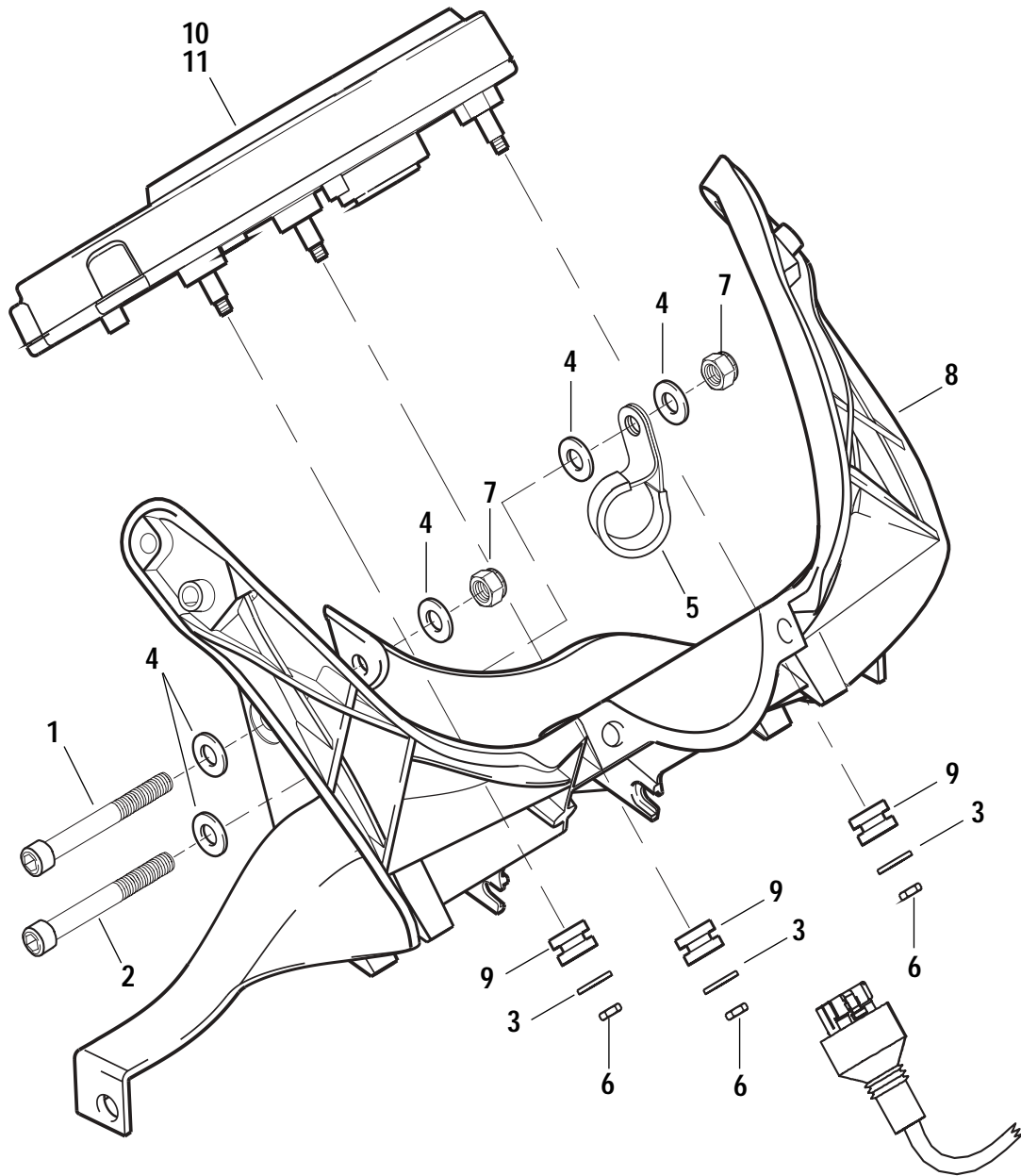
HEADLIGHTS, HORN & FAN



INDEX NO.	PART NO.	DESCRIPTION	MODELS
1	68918-98	BULB, 55W headlight (2)	2003-XB9R
2	AA0404.10CSS	SCREW (4)	2003-XB9R
3	AA0406.11CDBL	SCREW (6)	2003-XB9R
4	AA0406.21CZB	SCREW (2)	2003-XB9R
5	AA0406.5CZB	SCREW (2)	2003-XB9R
6	AA0408.21CRZ	SCREW (2)	2003-XB9R
7	BA0409.6BL	WASHER (6)	2003-XB9R
8	CA0017.02A8	SCREW (8)	2003-XB9R
9	DA0400.2CZ	LOCK NUT (2)	2003-XB9R
10	M0902.02A8	AIR SCOOP ASM., ram	2003-XB9R
11	M0903.02A8	ENGINE SCOOP ASM. RH	2003-XB9R
12	Y0050.02A8	FAN ASM.	2003-XB9R
13	Y0308.TA	HORN	2003-XB9R
14	Y0400.02A8	HEADLIGHT, low beam	2003-XB9R
	Y0421.02A8	TRAFFIC HEADLIGHT ASM RH - complete (CAN) (not illustrated)	2003-XB9R
15	Y0435.02A8	HEADLIGHT, high beam	2003-XB9R
16	Y0438.02A8	BRACKET/SUPPORT HEADLIGHT ASM.	2003-XB9R
	YH401.02A8	WIRE HARNESS, headlight (not illustrated)	2003-XB9R
INTERNATIONAL ONLY			
	Y0026.02A8	BULB, position (not illustrated)	2003-XB9R
17	Y0406.02A8	HEADLIGHT ASM., low beam (EUR)	2003-XB9R
	Y0422.02A8	TRAFFIC HEADLIGHT ASM RH - complete (EUR) (not illustrated)	2003-XB9R
	Y0426.02A8	TRAFFIC HEADLIGHT ASM LH - complete (AUS, ENG, JPN) (not illustrated)	2003-XB9R
18	Y0427.02A8	HEADLIGHT ASM., high beam (AUS, ENG, EUR, JPN)	2003-XB9R
19	Y0428.02A8	HEADLIGHT ASM., low beam (AUS, ENG, JPN)	2003-XB9R
	YH402.02A8	WIRE HARNESS, headlight (AUS, ENG, EUR, JPN) (not illustrated)	2003-XB9R

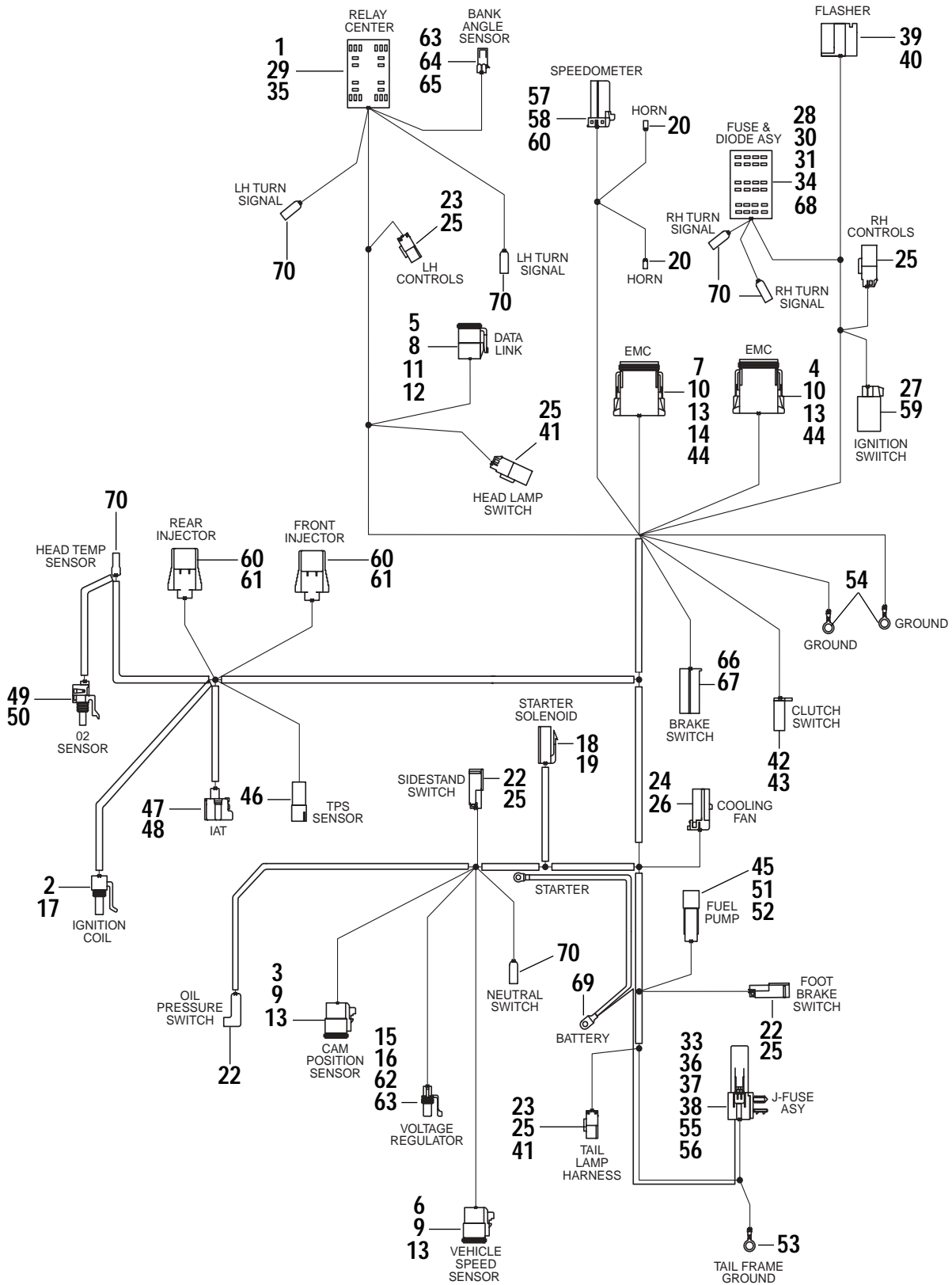
INDEX NO.	PART NO.	DESCRIPTION	MODELS
1	59259-90	REFLECTOR, red (3)	2003-XB9R
2	AA0404.10CSS	SCREW (2)	2003-XB9R
3	AA0404.11CDBL	SCREW	2003-XB9R
4	AA0406.11CDBL	SCREW (2)	2003-XB9R
5	AN0808.14CSS	SCREW (2)	2003-XB9R
6	B0800.4Z	LOCK WASHER, turnsignal mounting (4)	2003-XB9R
7	BA0511.2Z	WASHER (2)	2003-XB9R
8	D0800.4FZ	NUT, jam (4)	2003-XB9R
9	DA0400.8CZ	LOCK NUT (2)	2003-XB9R
10	L0542.02A8	BRACKET, rear reflector	2003-XB9R
	L0544.02A8	BRACKET LH, rear side reflector (not illustrated)	2003-XB9R
11	L0545.02A8	BRACKET RH, rear side reflector	2003-XB9R
12	M0755.02A8	BRACKET, license plate	2003-XB9R
13	Y0039.K	LENS, outer turnsignal	2003-XB9R
	Y0040.K	LENS, inner turnsignal (not illustrated)	2003-XB9R
	Y0041.K	SCREW, turnsignal lens (not illustrated)	2003-XB9R
14	Y0042.K	BULB, turnsignal (4)	2003-XB9R
	Y0043.02A8	LENS, taillight (not illustrated)	2003-XB9R
15	Y0401.02A8	TAIL LIGHT	2003-XB9R
16	Y0401B.2U	BULB, tail light	2003-XB9R
	Y0504.02A8	TURNSIGNAL LH rear/RH front (not illustrated)	2003-XB9R
17	Y0503.02A8	TURNSIGNAL RH rear/LH front	2003-XB9R
18	Y0621.M	FLASHER, turnsignal	2003-XB9R
19	YH350.02A8	HARNESS, tail light wiring	2003-XB9R
INTERNATIONAL ONLY			
20	L0541.02A8	BRACKET, rear reflector (AUS, CAN, ENG, EUR, JPN)	2003-XB9R
21	59259-90	REFLECTOR, red (2) (AUS, ENG, EUR, JPN)	2003-XB9R
22	59256-84A	REFLECTOR, amber (AUS, ENG, EUR, JPN)	2003-XB9R

INSTRUMENT CLUSTER



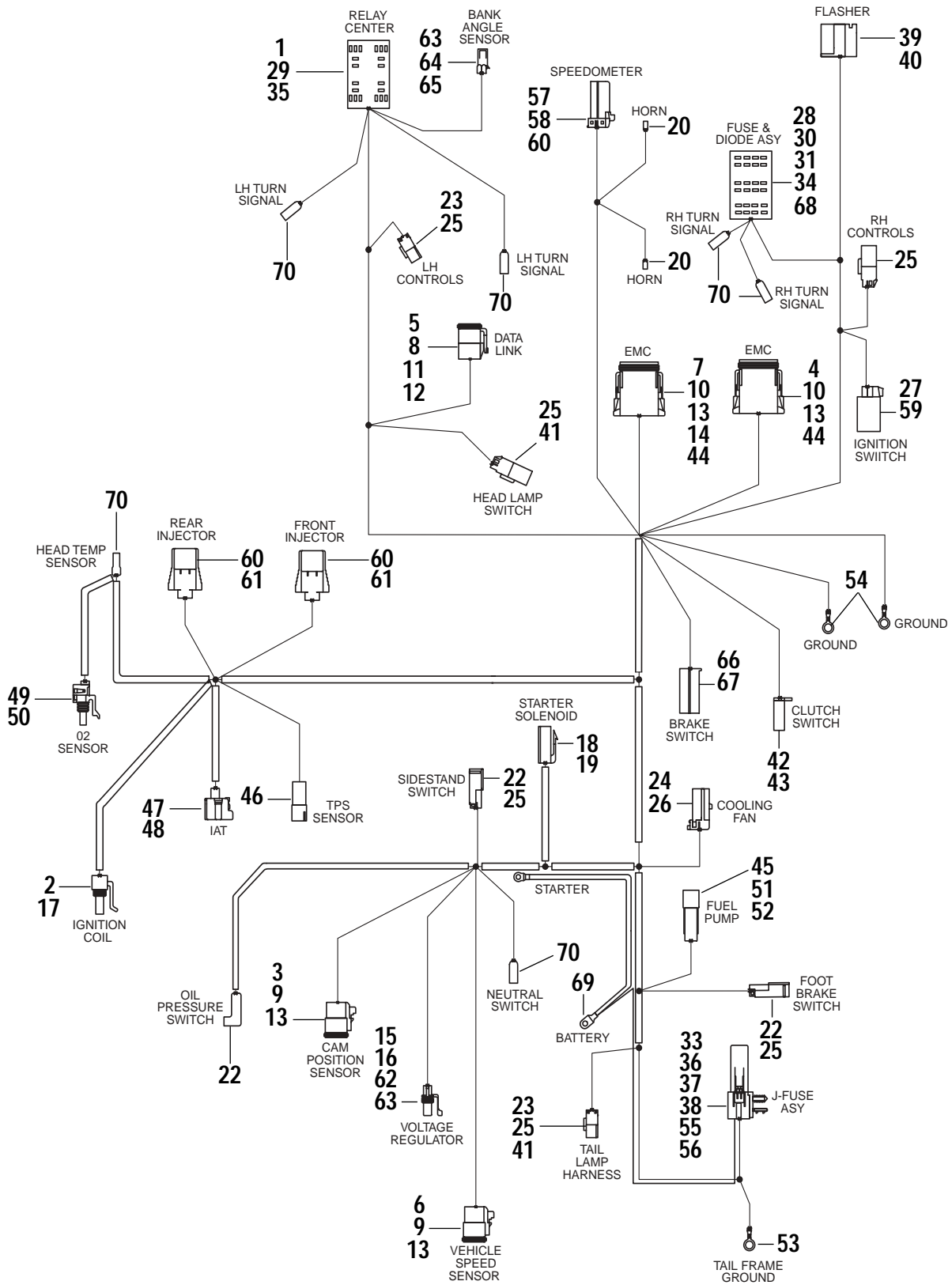
INDEX NO.	PART NO.	DESCRIPTION	MODELS
1	AA0522.2CZB	SCREW (2)	2003-XB9R
2	AA0524.2CZB	SCREW (2)	2003-XB9R
3	B0510.1Z	WASHER (3)	2003-XB9R
4	BA0511.2Z	WASHER (5)	2003-XB9R
5	C0039.02A8	CLAMP, main wire harness	2003-XB9R
6	D0500.1CZ	JAM NUT (3)	2003-XB9R
7	DA0500.10CZ	NUT, spring lock (2)	2003-XB9R
8	L0940.02A8	BRACKET, fairing support	2003-XB9R
9	M0649.01A3	GROMMET, rubber (3)	2003-XB9R
	Y0303.2B	WIRE TIE (not illustrated)	2003-XB9R
10	Y0500.02A8	INSTRUMENT CLUSTER - mph (ENG)	2003-XB9R
INTERNATIONAL ONLY			
11	Y0501.02A8	INSTRUMENT CLUSTER - kph (AUS, CAN, EUR, JPN)	2003-XB9R

MAIN WIRE HARNESS



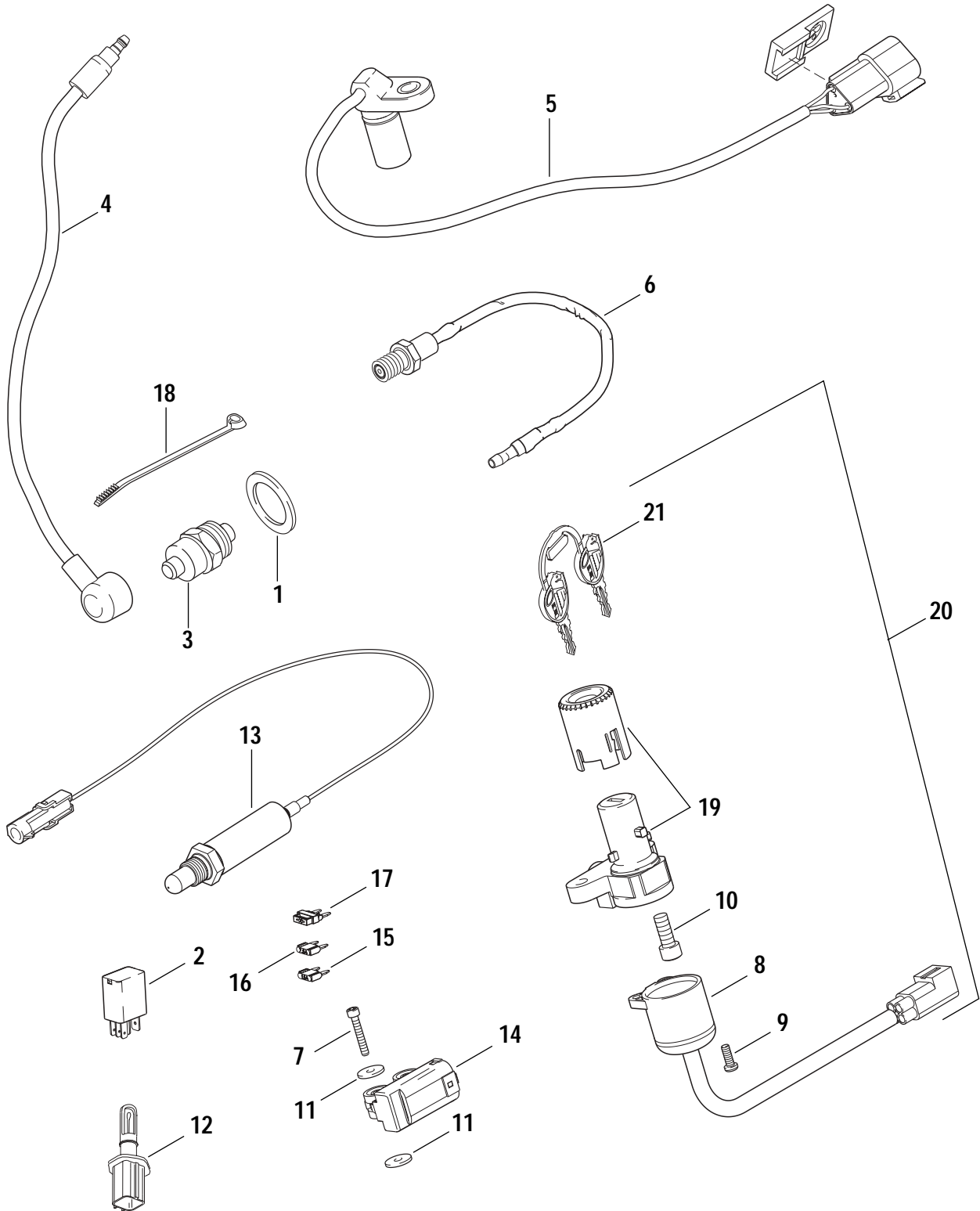
INDEX NO.	PART NO.	DESCRIPTION	MODELS
	Y0136.02A8	MAIN WIRE HARNESS includes the following items	2003-XB9R
1	31522-00B	DIODE (3)	2003-XB9R
2	72033-93	TERMINAL (3)	2003-XB9R
3	72113-94BK	CONNECTOR, sealed	2003-XB9R
4	72119-94BK	CONNECTOR, sealed	2003-XB9R
5	72124-94GY	CONNECTOR	2003-XB9R
6	72133-94GY	CONNECTOR, sealed	2003-XB9R
7	72139-94GY	CONNECTOR, sealed	2003-XB9R
8	72144-94	SPACER	2003-XB9R
9	72153-94	SOCKET LOCK (2)	2003-XB9R
10	72159-94	SOCKET LOCK (2)	2003-XB9R
11	72164-94	SEAL, connector	2003-XB9R
12	72190-94	TERMINAL	2003-XB9R
13	72191-94	TERMINAL (6)	2003-XB9R
14	72195-94	SEAL PIN	2003-XB9R
15	72234-94	CONNECTOR ASM., black w/ seal	2003-XB9R
16	72238-94	TPA, black (2)	2003-XB9R
17	72280-95	CONNECTOR, sensor 3-way w/ seal	2003-XB9R
18	72291-94	TERMINAL, female spade (14-16 gauge)	2003-XB9R
19	72295-94	HOUSING, starter connector	2003-XB9R
20	72405-98BK	TERMINAL, insulated	2003-XB9R
21	72405-98GN	INSULATED TERMINAL	2003-XB9R
22	73102-96BK	CONNECTOR	2003-XB9R
23	73108-96BK	PIN, housing 8-way (2)	2003-XB9R
24	73152-96BK	CONNECTOR	2003-XB9R
	73158-96BK	CONNECTOR (not illustrated)	2003-XB9R
25	73190-96	TERMINAL (24)	2003-XB9R
26	73191-96	TERMINAL (7)	2003-XB9R
27	C0152.02A8	IGNITION SWITCH/CONNECTOR	2003-XB9R
28	L0073.02A8	TOP COVER, fuse block	2003-XB9R
29	L0074.02A8	TOP COVER, relay	2003-XB9R
30	Y0011.K	FUSE, 15A	2003-XB9R
31	Y0016.T	FUSE, 7.5A (4)	2003-XB9R
32	Y0021.02A8	BOOT, instrument cluster harness	2003-XB9R
33	Y0023.02A8	MAIN FUSE, 30A	2003-XB9R
34	Y0028.02A8	BASE COVER, fuse block	2003-XB9R
35	Y0029.02A8	BRACKET, fuse/relay block	2003-XB9R
36	Y0033.02A8	COVER, fuse holder	2003-XB9R
37	Y0034.02A8	FUSE HOLDER, inner, red	2003-XB9R
38	Y0035.02A8	BRACKET, j-fuse	2003-XB9R
39	Y0045.02A8	CONNECTOR	2003-XB9R
40	Y0046.02A8	TERMINAL	2003-XB9R
41	Y0049.02A8	CLIP	2003-XB9R
42	Y0053.02A8	CONNECTOR, 2-pin black	2003-XB9R
43	Y0054.02A8	TERMINAL (2)	2003-XB9R
44	Y0056.02A8	TERMINAL (14 gauge) (3)	2003-XB9R

MAIN WIRE HARNESS (CONTINUED)



INDEX NO.	PART NO.	DESCRIPTION	MODELS
	Y0136.02A8	MAIN WIRE HARNESS (CONTINUED) includes the following items	2003-XB9R
45	Y0060.02A8	CONNECTOR, fuel pump	2003-XB9R
46	Y0061.02A8	CONNECTOR, 3-pin black	2003-XB9R
47	Y0066.02A8	CONNECTOR, 2-pin black w/ seal	2003-XB9R
48	Y0067.02A8	TERMINAL (2)	2003-XB9R
49	Y0071.02A8	CONNECTOR, single black w/ seal	2003-XB9R
50	Y0072.02A8	TERMINAL	2003-XB9R
51	Y0076.02A8	SECONDARY LOCK	2003-XB9R
52	Y0077.02A8	PINS (4)	2003-XB9R
53	Y0081.02A8	TERMINAL, eye	2003-XB9R
54	Y0082.02A8	TERMINAL	2003-XB9R
55	Y0093.02A8	FUSE HOLDER, main, black	2003-XB9R
56	Y0094.02A8	TERMINAL, pin, j-fuse holder (2)	2003-XB9R
57	Y0095.02A8	CONNECTOR, black	2003-XB9R
58	Y0096.02A8	TERMINAL, socket (12)	2003-XB9R
59	Y0097.02A8	CONNECTOR, black w/ seal	2003-XB9R
60	Y0119.02A8	CONNECTOR, injector w/ seal (2)	2003-XB9R
61	Y0120.02A8	TERMINAL(4)	2003-XB9R
62	Y0126.02A8	TERMINAL SET, voltage regulator	2003-XB9R
63	Y0129.02A8	CONNECTOR	2003-XB9R
64	Y0130.02A8	TERMINAL, socket (3)	2003-XB9R
65	Y0132.02A8	PLUG, black (3)	2003-XB9R
66	Y0133.02A8	CONNECTOR, 2-pin black	2003-XB9R
67	Y0134.02A8	TERMINAL, socket (2)	2003-XB9R
68	Y0211.K	FUSE & DIODE ASM.	2003-XB9R
69	Y0320.02A8	CABLE, battery	2003-XB9R
70	Y0357.3A	TERMINAL	2003-XB9R

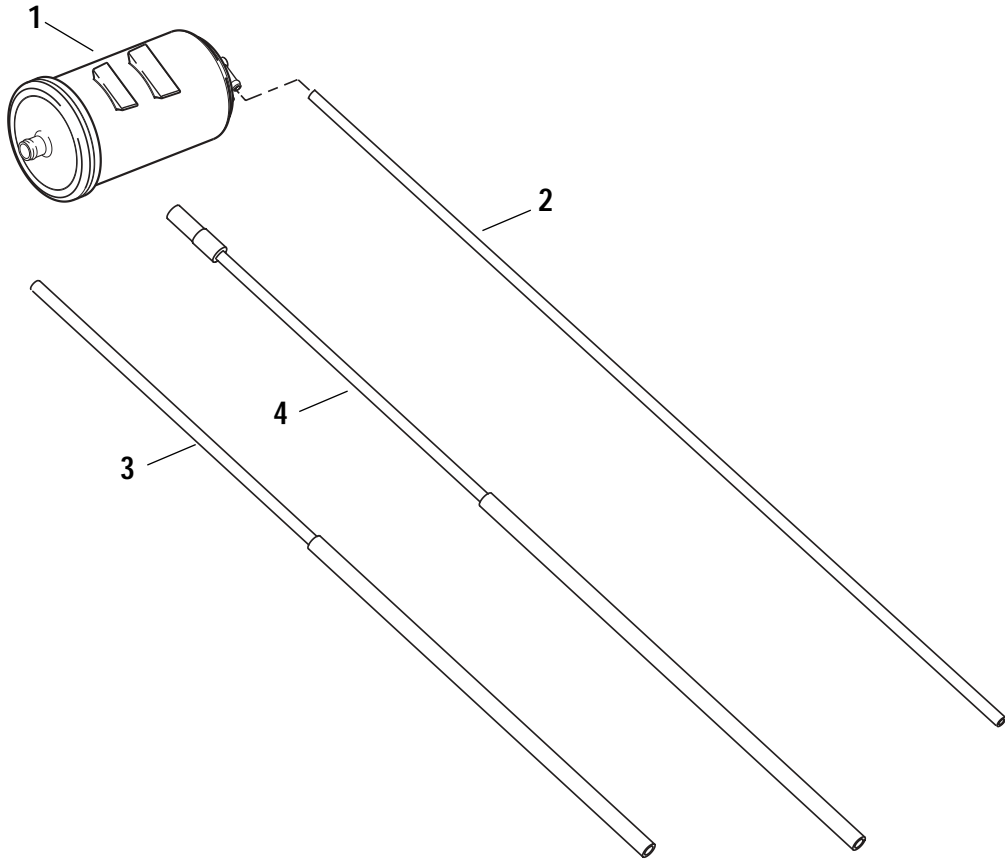
SWITCHES, CIRCUIT BREAKERS, CONNECTORS & SENSORS



SWITCHES, CIRCUIT BREAKERS & ELECTRICAL CONNECTORS

INDEX NO.	PART NO.	DESCRIPTION	MODELS
1	6288	WASHER	2003-XB9R
2	31522-00B	RELAY, start ignition	2003-XB9R
3	33900-99	SWITCH, neutral indicator	2003-XB9R
4	70227-99	JUMPER, neutral indicator	2003-XB9R
5	74431-01	SENSOR, vehicle speed	2003-XB9R
6	32564-99YB	SENSOR, engine temperature	2003-XB9R
7	AN0808.3CBBL	SCREW (2)	2003-XB9R
	C0026.02A8	CLIP, wire tie (2) (not illustrated)	2003-XB9R
	C0033.02A8	FASTENERS, tree, black plastic (7) (not illustrated)	2003-XB9R
	C0036.02A8	CLAMP, nylon loop (not illustrated)	2003-XB9R
	C0042.02A8	TUBING, heat shrink, side stand switch covering (not illustrated)	2003-XB9R
	C0045.02A8	STRAP, rear wire harness mount (not illustrated)	2003-XB9R
8	C0152.02A8	BODY, electrical, ignition switch	2003-XB9R
	C2024.02A8	TOOL KIT (not illustrated)	2003-XB9R
9	CA0007.T	SCREW	2003-XB9R
10	CA0016.02A8	SCREW	2003-XB9R
11	CB0008.02A8	WASHER	2003-XB9R
	L0073.02A8	COVER, fuse block, top w/ label (not illustrated)	2003-XB9R
	L0074.02A8	COVER, fuse block relay, top w/ label (not illustrated)	2003-XB9R
	M0072.02A8	WIRE GUARD, routing (not illustrated)	2003-XB9R
12	P0138.K	SENSOR, air intake	2003-XB9R
13	S0130.02A8	SENSOR, O2	2003-XB9R
14	S0131.02A8	SENSOR, bank angle	2003-XB9R
15	Y0011.K	FUSE, 15A, EMC	2003-XB9R
16	Y0016.T	FUSE, 7.5A	2003-XB9R
17	Y0211.K	DIODE (2)	2003-XB9R
18	Y0303.2B	CABLE STRAP (25)	2003-XB9R
	Y0349.02A8	CONCUIT ASM., main harness (not illustrated)	2003-XB9R
	Y0356.4	CONNECTOR, single bullet (10) (not illustrated)	2003-XB9R
	Y0357.3A	TERMINAL (10) (not illustrated)	2003-XB9R
	Y0602.02A8	COMPLETE VEHICLE LOCK SET, w/ seat, ignition, fuel cap & key(s)	2003-XB9R
19	Y0723.T	HOUSING, ignition switch	2003-XB9R
20	Y0724.02A8	IGNITION ASM., w/ key(s)	2003-XB9R
21	Y0732.T	KEY SET, ignition (specify four - digit key code)	2003-XB9R
INTERNATIONAL ONLY			
	P0098.02A8	COMPLETE VEHICLE LOCK SET, w/ seat, ignition, fuel cap w/ label & key(s) (AUS) (not illustrated)	2003-XB9R

CALIFORNIA EVAPORATIVE EMISSIONS COMPONENTS



INDEX NO.	PART NO.	DESCRIPTION	MODELS
		These components are used on 2003 Firebolt XB9R model motorcycles sold in the state of California.	
	27016-00	HOSE, reducer (not illustrated)	2003-XB9R
1	27042-84A	CARBON CANISTER	2003-XB9R
2	HS0025.02A8	HOSE ASM., 3/8" I.D. nylon, carbon canister	2003-XB9R
3	HS0020.02A8	HOSE ASM., standard (all except CAL)	2003-XB9R
4	HS0021.02A8	HOSE ASM., fuel vent w/ reducer (CAL ONLY)	2003-XB9R

GLOSSARY

A

ADJ Adjuster
AMP Amperage
ASM Assembly
AUS Australia

C

CAL California
CAN Canada
CYL Cylinder

D

DIA Diameter
DOM Domestic

E

ENG England
EUR Europe

F

FT Foot

G

GAL Gallon
GR Grade

H

HD Head

I

I.D. Inside Diameter

J

JPN Japan

K

KPH Kilometers Per Hour

L

LG Long
LH left hand

M

MM Millimeter
MPH Miles Per Hour

N

NO Number

O

O.D. Outside Diameter
O.S. Over Sized
OZ Ounce

R

RD Round
RH Right Hand

S

SPEEDO Speedometer
STD Standard

T

TACH Tachometer
TEMP Temperature
THD Thread
THK Thick
TM Trademark

V

V Volt

W

W/ With

HARDWARE LISTING

882	SCREW, 1/4-20 X 7/8, hex socket hd., sems, zinc, gr. 8	A0620.5CZB	SCREW, M6-1 X 20 flat hd., counter sink, clear zinc gr. 12
961	SCREW, 1/4-20 X 1/2 pan hd. torx w/ washer, gr. 8	A0622.21CBL	BOLT, M6-1.25 X 22, hex flange hd., black zinc
1039	SCREW, 5/16-18 X 2-1/2 hex flange hd., phosphatized	A1065.2CZB	SCREW, M10 X 65 socket hd., clear zinc, gr. 12
1601	SCREW, No. 8-32 X 1/2 pozidriv flat hd., zinc	AA0404.10CSS	SCREW, 1/4-20 X 1/2 button hd., torx, stainless steel
2445	SCREW, 1/4-20 X 9/16 button hd.	AA0404.11CDBL	SCREW, 1/4-20 X 1/2 trusshead torx, black chromate, gr. 2
2533	SCREW, No. 10-16 X 1/2 hex socket button hd., gr. 8	AA0404.11CXDBL	SCREW, 1/4-20 X 1/2 trusshead torx, black chromate, scotch grip, gr. 2
3029	SCREW, No. 10-24 X 1-1/8 socket hd. torx	AA0404.5CZB	SCREW, 1/4-20 X 1/2 flat hd., allen, gr. 8
3275	SCREW, 5/16-18 X 3/4, hex socket hd., zinc, gr. 8	AA0405.2CXZB	SCREW, 1/4-20 X 5/8, hex socket hd., zinc
3350	BOLT, M5-0.8 X 115 mm, hex flange hd.	AA0406.11CXDBL	SCREW, 1/4-20 X 3/4 truss torx, black chromate, scotch grip, gr. 2
3403	LOCKNUT, M8-1.25 X 12 mm, hex flange, zinc	AA0406.21CRZ	SCREW, 1/4X3/4 hex flange hd., thread cutting, zinc
3594	SCREW, 1/4-20 X 5/8, hex socket hd., gr. 8	AA0406.21CZB	SCREW, 1/4-20 X 3/4 hex flange hd., bright zinc
3675	SCREW, 5/16-18 X 1 torx socket flat hd., locking, phosphatized, gr. 8	AA0406.2CZB	BOLT, 1/4-20 X 3/4, hex socket hd., zinc
3987	BOLT, 5/16-18 X 3/4 hex hd., gr. 5	AA0406.5CZB	SCREW, 1/4-20 X 3/4 flat hd. allen, bright zinc
4091	SCREW, No. 10-24 X 1/2 hex washer hd., self tapping, zinc	AA0408.21CRZ	SCREW, 1/4-20 X 1, hex flange hd., zinc
4132	SCREW, 1/4-20 X 1-1/8, torx socket button hd., black zinc, gr. 5	AA0409.5CZB	SCREW, 1/4-20 X 1-1/8 flat hd. counter sink, bright zinc
4312	BOLT, M6-1.0 X 12 mm, flange hd., stain- less steel	AA0412.11CDBL	SCREW, 1/4-20 X 1.5 trusshead torx, black chromate, gr. 2
4751	BOLT, 1/4-20 X 3/4, hex hd., w/lockpatch, zinc, gr. 8	AA0414.2CXZB	SCREW, 1/4-20 X 1-3/4 socket hd allen scotch grip, bright zinc
4765	SCREW, 1/4-20 X 2-5/8, hex socket hd., sems, w/lock patch, zinc, gr. 8	AA0507.2CZB	SCREW, 5/16-18 X 7/8 socket hd., bright zinc
6736	WASHER, 9/32 X 5/8 X 1/16, zinc	AA0508.2CXZB	BOLT, 5/16-18 X 1.0 socket hd., scotch grip, bright zinc
7839	NUT, 3/4-16, hex hd.	AA0508.2CZB	BOLT, 5/16-18 1 socket hd., bright zinc
2611C	SCREW, No. 10-32 X 5/8, hex washer hd. w/lockpatch, zinc, gr. 5	AA0520.2CXZB	SCREW, 5/16-18 X 2-1/2 socket hd., scotch grip, bright zinc
3997A	BOLT, 1/4-20 X 1-1/4, hex socket hd. w/ sealant, zinc	AA0522.2CZB	SCREW, 5/16-18 X 2-3/4 socket hd., bright zinc
4718A	SCREW, 1/4-20 X 1-1/2, hex socket hd., sems, zinc	AA0524.2CZB	SCREW, 5/16-18 X 3 socket hd. allen bright zinc
4820A	SCREW, 1/4-20 X 2, hex socket hd., sems, locking, zinc	AA0608.2CXZB	BOLT, 3/8-16 X 1.0 socket hd. bright zinc
4820A	SCREW, 1/4-20 X 2, hex socket hd., sems, locking, zinc	AA0609.11CXZB	SCREW, 3/8-16 X 1-1/8 trusshead torx, scotch grip, bright zinc
6314W	WASHER, 21/64 X 9/16 X 1/8, zinc	AA0615.2CZB	SCREW, 3/8-16 X 1-7/8 socket hd., bright zinc
7916A	JAMNUT, 5/8-18, zinc	AA0620.2CZB	SCREW, 3/8-16 X 2.5 socket hd., bright zinc
879A	SCREW, 5/16-18 X 3-1/2 knurled socket hd.	AA0624.1CZB	SCREW, 3/8-16 X 3 hex hd., bright zinc
A0508.2CSS	SCREW, M5 X 8 socket hd., stainless steel		
A0620.2CZB	BOLT, M6 X 1 X 20 socket hd., clear zinc., gr.12		

HARDWARE LISTING

AA0634.2CZB	SCREW, 3/8-16 X 4-1/4 socket hd., zinc
AA0636.2CZ	SCREW, 3/8-16 X4-1/2 socket hd., zinc
AA0712.2CZB	SCREW, 7/16-14 X 1-1/2 socket hd., bright zinc
AN0805.5CSS	SCREW, 8-32 X 5/8 flat hd. allen, counter-sink, stainless steel
AN0808.14CSS	SCREW, 8-32 X 1, pan hd. phillips, stainless steel
AN0808.3CBBL	SCREW, 8-32 X 1 button hd., black
AN1004.2CZ	SCREW, 10-24 X 1/2 socket hd., zinc
AN1005.14FZB	SCREW, 10-32 X 5/8 pan hd. phillips, bright zinc
AN1005.3CBBL	SCREW, 10-24 X 5/8 button hd., black
AN1006.14FZB	SCREW, 10-32 X 3/4 pan hd. phillips, bright zinc
AN1010.3FSS	SCREW, 10-32 X 1-1/4 button hd, stainless steel
B0510.1Z	WASHER, 5mm I.D. X 1mm. O.D. flat
B0613.1Z	WASHER, 6 mm I.D. X 13 mm O.D., std., zinc
B0800.4Z	LOCKWASHER, 8 mm I.D., star, zinc
BA0409.6BL	WASHER, 1/4 I.D. X 9/16 O.D., black nylon
BA0410.3Z	WASHER, 1/4 I.D. X 11/16 O.D. flat zinc
BA0509.6	WASHER, 5/16 I.D. X 9/16 O.D. nylon
BA0511.2Z	WASHER, 5/16 I.D. X 11/16 O.D. flat, hardened, zinc
BA0613.2Z	WASHER, 3/8 I.D. X 13/16 O.D. flat, clear zinc
BN1000.1BL	WASHER, #10, black
D0500.1CZ	NUT, M5 X 10 hex zinc
D0600.2CZ	LOCKNUT, M6 X 1.0, nylock, zinc
D0800.4FZ	LOCKNUT, M8 X 1.025, nylock, zinc
DA0400.2CZ	LOCKNUT, 1/4-28 X 20, hex, nylock, zinc
DA0400.8CZ	NUT, 1/4-20 thin, nylock
DA0500.10CZ	LOCKNUT, 5/16-18, hex, spring lock, zinc
DA0500.12FZ	FLANGENUT, 5/16-24, hex, zinc
DA0500.2CZ	LOCKNUT, 5/16-18 nylock, clear zinc
DA0500.8FZ	NUT, 5/16-24, thin nylock zinc
DA0600.11CZ	LOCKNUT, 3/8-16 jam clear zinc
DA0600.12FAZB	FLANGENUT, 3/8-24, gr. 5
DN1000.4FZB	LOCKNUT, No.10-32, hex, thin/jam, zinc, gr. 12

NUMERICAL INDEX

Part No.	Page	Part No.	Page	Part No.	Page	Part No.	Page	Part No.	Page
10059A	53	17649-02	7	26554-77	71	33117-91A	71	37892-02	33
10080	11	17908-02	7	26921-02	11	33154-00Y	71	37893-02	33
10112	53	17909-02	7	26922-02	11	33155-00Y	71	37894-02	33
1028	11	17979-02	7	26923-02	11	3322Y	19	37895-02	33
1039	7	17986-00Y	7	26924-02	11	3323Y	19	37896-02	33
1044	11	18011-86	5	26995-86B	19	33344-94	29	37897-02	33
11002	17	18020-83	5	27009-86A	19	3350	27	37898-02	33
11046	33	18094-02	5	27010-86A	19	33540-02	31	37899-02	33
11067	29	18245-02	5	27016-00	89	33634-02	31	37908-90	33
11105	13	18258-02	5	27042-84A	89	33900-99	31	37909-90	33
11105	55	18260-02	5	27337-99Y	19	33900-99	87	37911-90	33
11116	27	18532-00A	7	27338-99Y	19	34014-02	31	37913-90	33
11124	15	18538-99B	7	27425-02	19	3403	27	37918-91	33
11124	25	18690-02	5	27671-01K	25	34064-00B	31	38627-02A	57
11161	29	18691-02	5	29533-99Y	19	34076-02	13	3987	19
11165	29	215	15	29537-99Y	19	34144-02	31	3997A	31
11177A	11	21948-02	9	29539-99Y	19	34163-02	31	3997A	7
11177A	9	22265-00Y	11	29803-02	19	34483-02	31	40005-57B	35
11179	57	22589-83B	9	29804-02	19	34491-02	31	40039-02	13
11190	7	22707-02	9	29805-02	19	34763-02	13	40039-02	35
11250	33	22710-02	5	29806-02	19	34772-00Y	13	40241-02	23
11317	15	22765-02	9	29950-91	11	34912-02	13	40241-02	35
11360	31	24047-00	15	29971-02Y	23	34920-86A	33	40251-92A	35
11730A	33	24213-02	9	3029	23	34981-02	31	40254-02	11
11765Y	33	24331-36	9	31322-91	27	34982-02	31	40254-02	35
12030	29	24332-36	9	31323-91	27	35020-89	29	40343-02	35
12067A	29	24439-02	11	31324-91	27	35021-89	29	4091	11
12068	11	24439-02	15	31325-91	27	35022-89A	29	4132	17
14270-92	67	2445	25	31327-91	27	35030-89	29	4312	75
1601	25	24604-00B	11	31328-91	27	35034-94	29	45830-48	11
16032-02	5	24647-87	11	31390-91B	27	35038-89A	29	45902-00	27
16032-02	5	24650-87	11	31488-81A	27	35051-89	29	46047-97Y	47
16357-02	25	24658-87	9	31515-90	27	35063-89	29	4718A	7
16461-02	5	24659-87	11	31518-90	27	35114-02	11	4751	23
16478-85A	5	24660-87	11	31521-98	27	35211-91A	35	4765	17
16480-92	5	24754-75	11	31522-00B	83	3559	27	4820A	13
16573-83	5	25188-02	15	31522-00B	87	35633-94	29	4820A	15
16715-83	5	2533	51	31525-90	27	35640-89	29	50005-85A	51
16770-84D	5	25351-00Y	13	31530-90	27	35641-89	29	5407Y	39
16774-86D	5	25353-00Y	15	31537-98	27	35762-02	29	59256-84A	79
16800-84	7	25378-02	13	31539-91	27	35763-89A	29	59259-90	79
16832-86C	5	25409-94B	33	31556-91A	27	35771-94	29	59259-90	79
16872-02	5	25453-87A	33	31599-91	27	35772-94	29	6003	29
16875-02	5	25521-02	13	31600-90	27	35773-94	29	60328-98A	13
16899-02	11	25782-02	15	31603-91	27	35775-94	29	60328-98A	55
17036-91	5	2611C	25	31661-90	27	35796-00	29	6090Y	19
17036-91	7	26318-88A	15	31662-90	27	35797-00	29	6157	17
17058-02	5	26357-02	17	31663-90	27	358	11	6217	27
17059-02	5	26358-02	17	31688-90	27	3594	35	62340-01Y	11
17353-89	7	26359-02	17	31689-90	27	36715-94	33	62352-94B	15
17358-84A	7	26359-02	71	31692-90	27	3675	29	62376-02	15
17360-83A	7	26361-02	17	31695-90	27	36802-84B	33	62376-02	71
17375-83A	7	26365-02	11	32400-94	25	37101-84A	13	6288	87
17598-97Y	7	26432-76A	5	32473-02	25	37495-91	29	6314W	11
17605-00YA	7	26434-91	17	32504-80A	25	37495-91	33	63533-41A	11
17606-00Y	7	26488-98	17	32564-99YB	87	37870-91	29	63806-00Y	71
17607-00Y	7	26491-98	17	32606-82	25	37870-91	33	63858-49	7
17608-00Y	7	26492-91	17	32617-00Y	11	37872-90	33	6400HB	35
17611-83	7	26493-91	17	3275	19	37890-02	33	65324-83A	73
17642-02	7	26495-89A	17	3299Y	7	37891-02	33	65325-83A	73

NUMERICAL INDEX

Part No.	Page	Part No.	Page	Part No.	Page	Part No.	Page	Part No.	Page
65328-83	73	9187	31	AA0624.1CZB	73	C0152.02A8	87	E0002.02A8	45
65948-00	67	91960-97Y	37	AA0634.2CZB	53	C0232.TA	39	E0002.02A8	51
65948-00	75	91960-97Y	57	AA0636.2CZ	11	C0235.02A8	51	E0004.02A8	41
66042-79A	67	9214	33	AA0712.2CZB	53	C0249.02A8	51	E0005.02A8	43
6736	7	928	27	AA0712.2CZB	55	C0250.02A8	51	E0006.02A8	55
68918-98	77	929A	27	AN0805.5CSS	53	C0255.02A8	51	G0110.02A8WAX	41
70227-99	87	961	13	AN0808.14CSS	79	C0315.T	67	G0120.02A8	41
70578-89	75	A0508.2CSS	19	AN0808.3CBBL	87	C0317.02A8	67	G0309.02A8WAX	43
720	11	A0525.2CBL	57	AN1004.2CZ	69	C0520.02A8	63	G0313.02A8	41
72033-93	83	A0540.2CBL	57	AN1005.14FZB	71	C0529.M	71	G0313.02A8	43
72103-94BK	25	A0620.2CZB	61	AN1005.3CBBL	59	C2024.02A8	87	G0321.02A8	43
72113-94BK	83	A0620.5CZB	39	AN1005.3CBBL	65	C3009.E	47	G0323.02A8	43
72119-94BK	83	A0622.21CBL	57	AN1006.14FZB	71	CA0002.T	57	G0325.02A8	41
72124-94GY	83	A1065.2CZB	49	AN1006.2CXZB	31	CA0005.T	43	G0400.02A8	35
72133-94GY	83	AA0404.10CSS	59	AN1008.2CXZB	31	CA0006.T	57	G0500.02A8F	35
72139-94GY	83	AA0404.10CSS	77	AN1010.3FSS	65	CA0007.T	87	G0555.02A8A	59
72143-94	25	AA0404.10CSS	79	B0510.1Z	81	CA0010.02A8	51	G0604.02A8C	35
72144-94	83	AA0404.11CDBL	37	B0613.1Z	39	CA0012.02A8	59	G0614.02A8C	35
72153-94	83	AA0404.11CDBL	51	B0613.1Z	71	CA0012.02A8	63	H0020.02A8	37
72159-94	83	AA0404.11CDBL	59	B0613.1Z	75	CA0014.02A8	41	H0021.02A8	37
72164-94	83	AA0404.11CDBL	79	B0800.4Z	79	CA0015.02A8	31	H0022.F	37
72190-94	25	AA0404.11CXDBL63		BA0409.4Z	75	CA0015.02A8	39	H0022.F	39
72190-94	83	AA0404.5CZB	51	BA0409.6BL	59	CA0015.02A8	51	H0024.F	39
72191-94	83	AA0405.2CXZB	53	BA0409.6BL	63	CA0015.02A8	53	H0026.F	39
72195-94	83	AA0405.2CXZB	71	BA0409.6BL	77	CA0016.02A8	87	H0027.02A8	39
72233-94	23	AA0406.11CDBL	39	BA0410.3Z	71	CA0017.02A8	77	H0030.T	39
72234-94	83	AA0406.11CDBL	61	BA0509.6	61	CA0018.02A8	21	H0031.02A8	37
72238-94	23	AA0406.11CDBL	77	BA0509.6	63	CA0018.02A8	61	H0032.02A8	37
72238-94	83	AA0406.11CDBL	79	BA0511.2Z	35	CA0018.02A8	63	H0033.T	39
72280-95	83	AA0406.11CXDBL59		BA0511.2Z	49	CA0020.02A8	35	H0034.T	39
72291-94	83	AA0406.21CRZ	65	BA0511.2Z	53	CA0020.02A8	49	H0035.9	37
72295-94	83	AA0406.21CZB	49	BA0511.2Z	73	CA0200.R	37	H0040.F	39
72405-98BK	83	AA0406.21CZB	77	BA0511.2Z	79	CB0002.T	51	H0041.F	39
72405-98GN	83	AA0406.2CZB	51	BA0511.2Z	81	CB0002.T	53	H0053.T	39
72691-01	23	AA0406.2CZB	69	BA0613.2Z	11	CB0002.T	55	H0054.9	37
73102-96BK	83	AA0406.2CZB	71	BA0613.2Z	25	CB0006.02A8	41	H0055.9	37
73108-96BK	83	AA0406.5CZB	77	BA0613.2Z	35	CB0008.02A8	87	H0102.02A8	39
73152-96BK	83	AA0408.21CRZ	77	BA0613.2Z	53	CB0009.02A8	65	H0105.F	39
73158-96BK	83	AA0409.5CZB	51	BA0613.2Z	73	CD0001.T	57	H0106.F	39
73190-96	83	AA0412.11CDBL	59	BN1000.1BL	63	CD0002.T	55	H0107.F	39
73191-96	83	AA0414.2CXZB	25	C0025.02A8	49	CD0007.02A8	31	H0110.02A8	37
74431-01	87	AA0507.2CZB	55	C0026.02A8	87	D0500.1CZ	81	H0150.02A8	43
7804	13	AA0508.2CXZB	45	C0028.02A8	51	D0600.2CZ	39	H0203.02A8	39
7839	35	AA0508.2CXZB	51	C0028.02A8	53	D0600.2CZ	65	H0205.02A8	39
7916A	15	AA0508.2CXZB	57	C0032.02A8	75	D0600.2CZ	75	H0206.02A8	39
879A	11	AA0508.2CZB	53	C0033.02A8	87	D0800.4FZ	79	H0212.02A8	39
882	7	AA0512.2CZB	47	C0034.02A8	71	DA0400.2CZ	77	H0300.02A8	37
8871	27	AA0520.2CXZB	55	C0035.02A8	71	DA0400.8CZ	79	H0301.T	39
8873	33	AA0522.2CZB	55	C0036.02A8	87	DA0500.10CZ	49	H0405.9B	37
8876A	29	AA0522.2CZB	59	C0039.02A8	81	DA0500.10CZ	73	H0405.9B	39
8879	27	AA0522.2CZB	73	C0041.02A8	75	DA0500.10CZ	81	H0412.01A0	37
8881	11	AA0522.2CZB	81	C0042.02A8	87	DA0500.12FZ	73	H0412.01A0	39
8883	27	AA0524.2CZB	81	C0043.02A8	23	DA0500.2CZ	35	H0417.02A8	39
8885	33	AA0608.2CXZB	25	C0044.02A8	25	DA0500.2CZ	53	H0418.02A8	37
8973	11	AA0608.2CXZB	37	C0045.02A8	87	DA0500.8FZ	69	H0505.02A8	41
8973	9	AA0608.2CXZB	45	C0098.02A8	51	DA0600.11CZ	11	H0506.02A8	41
8977	29	AA0608.2CXZB	51	C0145.T	57	DA0600.12FAZB	35	H1201.02A8	41
8996A	29	AA0609.11CXZB	35	C0148.T	39	DN1000.10FZB	71	H1522.02A8A	39
8998	29	AA0615.2CZB	53	C0149.T	57	DN1000.2FZ	23	H1531.02A8	37
9077	27	AA0620.2CZB	39	C0152.02A8	83	DN1000.4FZB	31	HS0008.02A8	17

NUMERICAL INDEX

Part No.	Page	Part No.	Page	Part No.	Page	Part No.	Page	Part No.	Page
HS0008.02A8	71	L0360.02A8	67	M0725.02A8	67	N0507.01A1A	31	Q0127.02A8	55
HS0009.02A8	71	L0361.02A8	67	M0726.02A8	67	N0513.T	31	S0101.02A8	73
HS0014.02A8	21	L0500.02A8	53	M0745.02A8	67	N0513.T	39	S0110.02A8	73
HS0015.02A8	69	L0501.02A8	53	M0750.02A8	67	N0516.T	39	S0111.02A8	73
HS0016.02A8	21	L0502.02A8	53	M0755.02A8	79	N0517.T	39	S0116.02A8	73
HS0020.02A8	89	L0506.02A8	53	M0756.02A8	61	N0520.02A8	51	S0123.02A8	73
HS0021.02A8	89	L0511.02A8	53	M0766.02A8	67	N0521.02A8	51	S0127.8	73
HS0025.02A8	89	L0512.02A8	53	M0772.02A8	67	N0530.02A8	39	S0130.02A8	87
HS0455.02A8	21	L0541.02A8	79	M0784.02A8	67	N0552.02A8	51	S0131.02A8	87
J0106.02A8	45	L0542.02A8	79	M0820.02A8	67	N0553.02A8	51	S0133.02A8	73
J0107.02A8	47	L0544.02A8	79	M0902.02A8	77	N0554.02A8	51	S0135.02A8	73
J0113.02A8	47	L0545.02A8	79	M0903.02A8	77	N0555.02A8	51	S0136.02A8	73
J0114.02A8	47	L0600.02A8	51	M0905.02A8	61	N0599.02A8	31	T0111.02A8	25
J0115.02A8	47	L0600.02A8	69	M1224.02A8MAW63		N0599.02A8	39	T0225.01A1	31
J0116.02A8	47	L0601.02A8	51	M1224.02A8MBB 63		N0600.02A8	31	Y0011.K	83
J0117.02A8	47	L0601.02A8	69	M1225.02A8MAW63		N0606.02A8A	31	Y0011.K	87
J0121.02A8	47	L0602.02A8	51	M1646.02A8MAW65		N0630.02A8	31	Y0016.T	83
J0122.02A8	47	L0602.02A8	69	M1646.02A8MBB 65		P0002.02A8	69	Y0016.T	87
J0124.02A8	47	L0603.02A8	51	M1647.02A8MAW63		P0025.02A8	19	Y0021.02A8	83
J0135.02A8	45	L0603.02A8	69	M1647.02A8MBB 63		P0045.02A8	69	Y0023.02A8	83
J1050.02A8	45	L0604.02A8	51	M1648.02A8MAW63		P0098.02A8	87	Y0024.02A8	75
J8124.02A8	47	L0604.02A8	69	M1648.02A8MBB 63		P0099.02A8	69	Y0026.02A8	77
J8127.02A8	47	L0605.02A8	51	M1664.02A8MAW61		P0100.02A8	69	Y0028.02A8	83
J8128.02A8	47	L0605.02A8	69	M1664.02A8MBB 61		P0104.02A8	69	Y0029.02A8	83
J8130.02A8	47	L0940.02A8	81	M1665.02A8MAW61		P0115.02A8	69	Y0033.02A8	83
J8135.02A8	47	L1011.02A8	67	M1665.02A8MBB 61		P0119.02A8	69	Y0034.02A8	83
J8138.02A8	47	L2116.02A8	17	N0002.02A8	57	P0121.02A8	69	Y0035.02A8	83
J8139.02A8	47	L2117.02A8	71	N0010.02A8	57	P0125.02A8	69	Y0039.K	79
J8140.02A8	47	L2118.02A8	17	N0050.K	57	P0127.02A8	69	Y0040.K	79
J8141.02A8	47	M0064.02A8	65	N0051.K	57	P0128.02A8	69	Y0041.K	79
J8142.02A8	47	M0065.02A8	65	N0096.02A8	37	P0130.02A8	69	Y0042.K	79
J8143.02A8	47	M0066.02A8	61	N0097.02A8	51	P0138.K	21	Y0043.02A8	79
J8144.02A8	47	M0067.02A8	61	N0098.02A8	51	P0138.K	87	Y0045.02A8	83
J8145.02A8	47	M0068.02A8	61	N0102.02A8	57	P0139.K	21	Y0046.02A8	83
J9147.02A8	47	M0069.02A8	61	N0104.02A8	57	P0144.02A8	21	Y0049.02A8	83
K0001.02A8	49	M0070.02A8	71	N0158.TA	57	P0153.02A8	69	Y0050.02A8	77
K0002.02A8	55	M0072.02A8	87	N0159.TA	57	P0166.K	69	Y0053.02A8	83
K0003.02A8	55	M0073.02A8	65	N0161.02A8	65	P0177.K	69	Y0054.02A8	83
K0101.02A8	55	M0087.02A8MAW61		N0162.02A8	65	P0178.K	69	Y0056.02A8	83
K0158.02A8	55	M0087.02A8MBB 61		N0200.02A8	37	P0187.02A8	69	Y0060.02A8	85
K0200.02A8	55	M0090.02A8	61	N0202.02A8	37	P0189.02A8	69	Y0061.02A8	85
K0402.02A8	49	M0091.02A8	61	N0203.9	37	P0191.02A8	69	Y0066.02A8	85
K0403.02A8	55	M0106.02A8	47	N0210.R	37	P0194.02A8	69	Y0067.02A8	85
K0410.02A8	49	M0300.YBD	51	N0220.F	37	P0198.02A8	69	Y0071.02A8	85
K0424.02A8	49	M0310.YBD	51	N0259.9	37	P0213.02A8	21	Y0072.02A8	85
K0425.02A8	49	M0550.02A8	59	N0306.02A8	25	P0215.02A8	21	Y0076.02A8	85
L0073.02A8	83	M0564.02A8	59	N0307.02A8	57	P0228.02A8	69	Y0077.02A8	85
L0073.02A8	87	M0565.02A8	59	N0308.02A8	57	P0229.02A8	69	Y0081.02A8	85
L0074.02A8	83	M0566.02A8	59	N0316.02A8	25	P0464.02A8	69	Y0082.02A8	85
L0074.02A8	87	M0567.02A8	55	N0320.02A8	31	P0700.02A8	21	Y0093.02A8	85
L0077.02A8	71	M0567.02A8	59	N0326.02A8	25	P0806.K	69	Y0094.02A8	85
L0078.02A8	51	M0568.02A8	59	N0401.02A8	51	P0851.02A8	21	Y0095.02A8	85
L0079.02A8	51	M0600.02A8	65	N0402.02A8	51	Q0002.02A8	71	Y0096.02A8	85
L0090.02A8	51	M0649.01A3	81	N0405.02A8	51	Q0011.02A8	55	Y0097.02A8	85
L0152.02A8	51	M0662.02A8MAW63		N0406.02A8	51	Q0012.02A8	55	Y0101.02A8	75
L0160.02A8	53	M0662.02A8MBB 63		N0425.02A8	51	Q0013.02A8	55	Y0103.02A8	75
L0174.02A8	51	M0675.02A8	45	N0427.02A8	51	Q0102.02A8	55	Y0119.02A8	85
L0178.K	11	M0698.02A8	63	N0428.02A8	51	Q0104.02A8	55	Y0120.02A8	85
L0194.02A8A	51	M0703.02A8	65	N0429.02A8	51	Q0107.02A8	55	Y0126.02A8	23
L0203.02A8	51	M0704.02A8	61	N0505.T	39	Q0109.02A8	55	Y0126.02A8	85

NUMERICAL INDEX

Part No.	Page	Part No.	Page	Part No.	Page	Part No.	Page	Part No.	Page
Y0129.02A8	85								
Y0130.02A8	85								
Y0132.02A8	85								
Y0133.02A8	85								
Y0134.02A8	85								
Y0135.02A8	23								
Y0136.02A8	83								
Y0136.02A8	85								
Y0204.02A8	25								
Y0211.K	85								
Y0211.K	87								
Y0300.02A8	25								
Y0302.02A8	23								
Y0303.2B	81								
Y0303.2B	87								
Y0307.02A8	53								
Y0308.TA	77								
Y0320.02A8	75								
Y0320.02A8	85								
Y0321.02A8	75								
Y0349.02A8	87								
Y0356.4	87								
Y0357.3A	85								
Y0357.3A	87								
Y0400.02A8	77								
Y0401.02A8	79								
Y0401B.2U	79								
Y0406.02A8	77								
Y0421.02A8	77								
Y0422.02A8	77								
Y0426.02A8	77								
Y0427.02A8	77								
Y0428.02A8	77								
Y0435.02A8	77								
Y0438.02A8	77								
Y0500.02A8	81								
Y0501.02A8	81								
Y0503.02A8	79								
Y0504.02A8	79								
Y0602.02A8	87								
Y0621.M	79								
Y0723.T	87								
Y0724.02A8	87								
Y0725.02A8	61								
Y0732.T	87								
Y0800.02A8	51								
Y0820.9	37								
YH350.02A8	79								
YH401.02A8	77								
YH402.02A8	77								