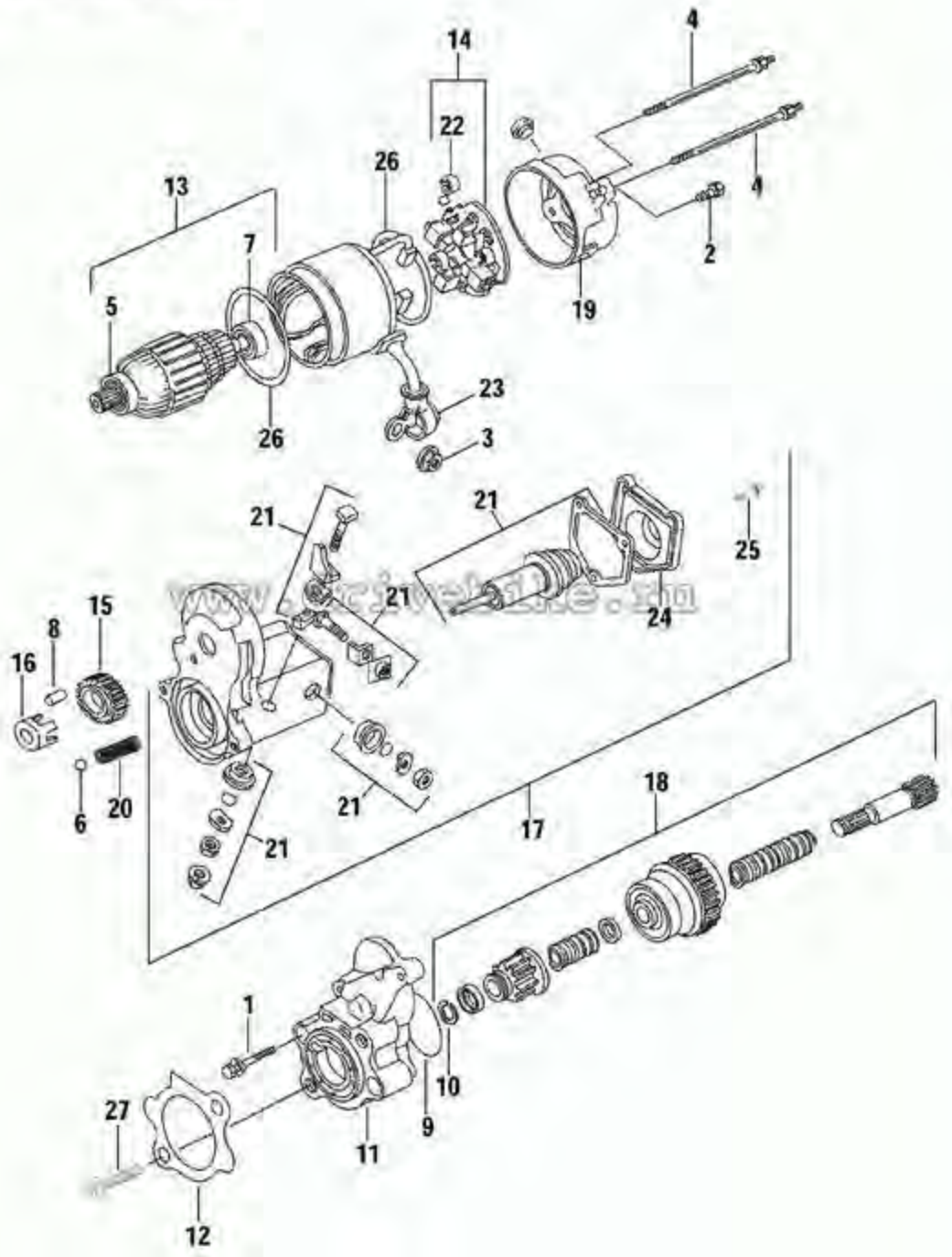


STARTER MOTOR

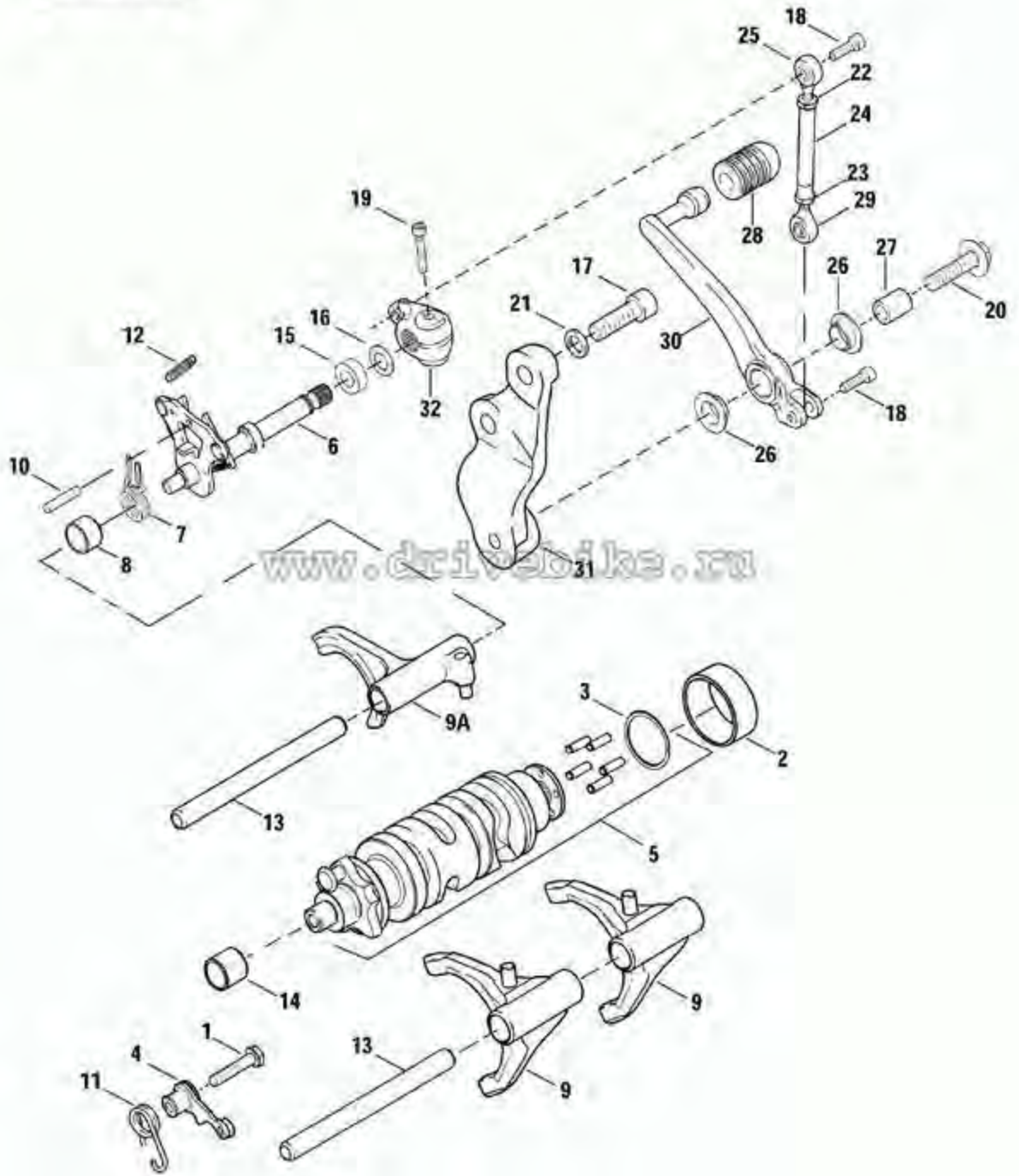




Администрация не несет ответственность за полноту и достоверность этой информации.

Номер	Номер по каталогу	Название/Описание	Кол-во
1	3997A [+]	BOLT, 1/4-20 X 1-1/4 socket hd., w/sealant (zinc)	1
2	9187 [+]	BEARING	1
3	11380 [+]	RING, retaining	1
4	33540-08 [+]	SPRING SLEEVE ASSEMBLY, detent	1
5	33641-06 [+]	SHIFTER CAM ASSEMBLY, w/ 11380	1
	33900-99 [+]	SWITCH, neutral (not illustrated)	1
6	34014-08 [+]	SHIFTER LEVER ASSEMBLY	1
7	34064-00B [+]	SPRING, shifter return	1
8	34076-02A [+]	BUSHING	1
9	34157-08 [+]	FORK ASSEMBLY, shifter	2
9A	34162-06 [+]	FORK ASSEMBLY, shifter	1
10	34163-02 [+]	PIN, shifter stop	1
11	34483-06 [+]	SPRING, detent	1
12	34491-02A [+]	SPRING, extension	2
13	34981-02 [+]	SHAFT, shifter forks	2
14	34982-02 [+]	BUSHING, right hand crankcase	1
15	37107-06 [+]	OIL SEAL	1
16	7080 [+]	WASHER, 9/16 X 3/4 X 1/4	1
17	AA0508.2CXZB [+]	SCREW, 5/16-18 X 1.0 socket hd., w/Sooth grip (bright zinc)	2
18	AN1006.2CXZB [+]	BOLT, No. 10-24 X 3/4 socket hd., w/Sooth grip	2
19	AN1009.2CXZB [+]	BOLT, No. 10-24 X 1-1/8 socket hd., w/lockpatch	1
20	CA0015.02A8 [+]	BOLT, flange head	1
21	CB0002.9A7 [+]	WASHER	2
22	CD0007.02A8 [+]	JAM NUT	1
23	DN1000.4FZB [+]	JAM NUT, No. 10-32 thin (Grade 12) (zinc)	1
24	N0320.1AK [+]	LINKAGE ASSEMBLY, shifter w/ 22, 23, 25 & 29	1
25	N0507.01A1A [+]	ROD END, shift linkage, male right hand thread	1
26	N0513.T [+]	BEARING, pedal	2
27	N0599.02A8A [+]	SLEEVE, shift/brake lever	1
28	N0600.02A8A [+]	TOE PEG, shift lever	1
29	N0606.02A8A [+]	ROD END, shift linkage, male left hand thread	1
30	N0630.02A8A [+]	SHIFT PEDAL ASSEMBLY, w/ 26 & 28	1
31	N0802.1AK [+]	BRACKET, shifter	1
32	T0225.02A8 [+]	LEVER, engine	1

SHIFTER

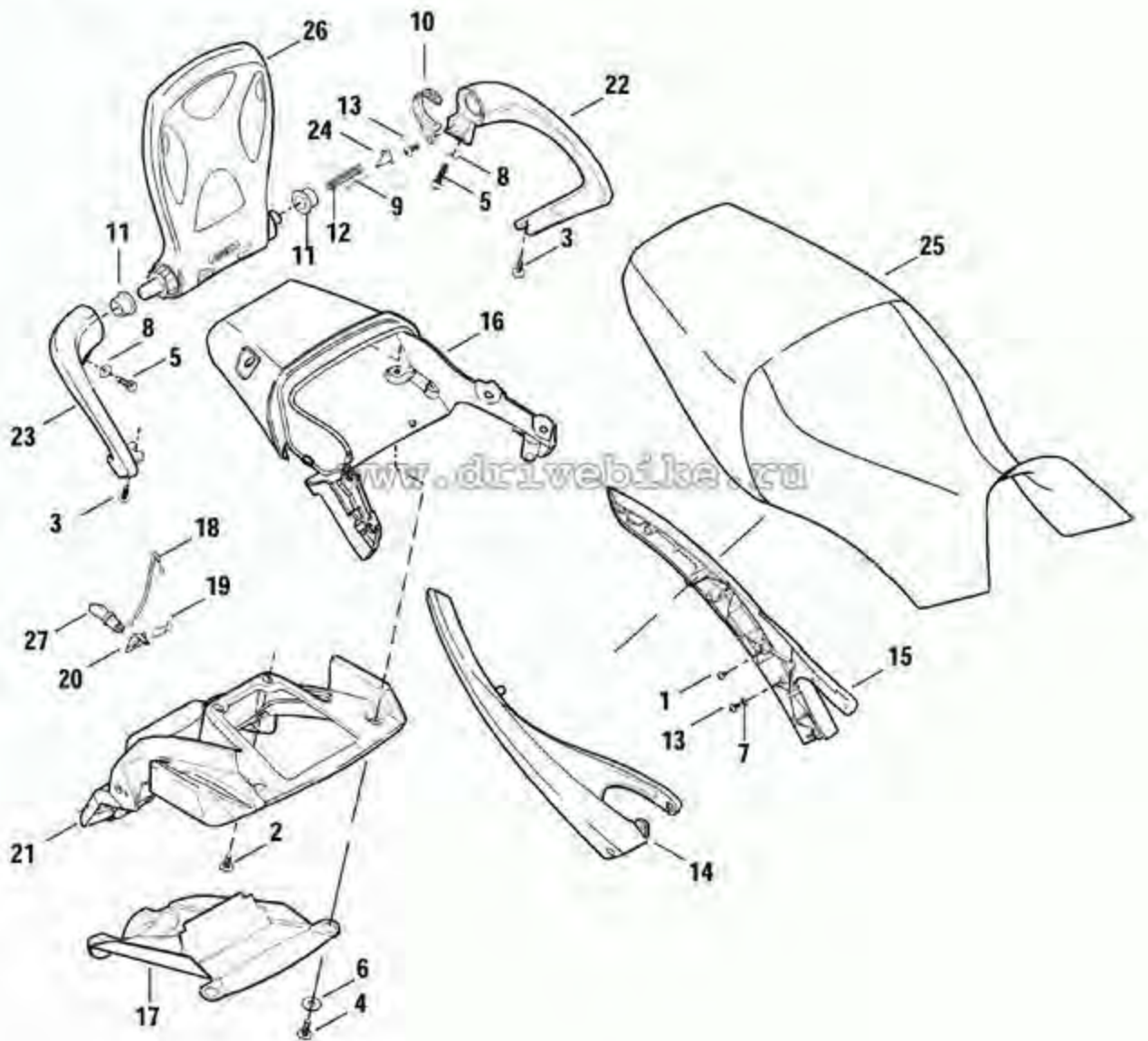




Администрация не несет ответственность за полноту и достоверность этой информации.

Номер	Номер по каталогу	Название/Описание	Кол-во
1	AA0404.11CXZB [+]	SCREW, 1/4-20 X 1/2 TORX truss hd., w/Scootch grip (bright zinc)	5
2	AA0404.11CXZB [+]	SCREW, 1/4-20 X 1/2 TORX truss hd., w/Scootch grip (bright zinc)	2
3	AA0406.11CXZB [+]	SCREW, 1/4-20 X 3/4 TORX truss hd., w/Scootch rip (bright zinc)	2
4	AA0406.11CZB [+]	SCREW, 1/4-20 X 3/4 TORX truss hd. (bright zinc)	2
5	AA0508.2CXZB [+]	SCREW, 5/16-18 X 1.0 socket hd., w/Scootch grip (bright zinc)	2
6	BA0412.1Z [+]	WASHER, 1/4 X 3/4 (bright zinc)	2
7	BA0509.6 [+]	WASHER, 5/16 X 9/16 nylon	2
8	BA0511.2Z [+]	WASHER, 5/16 X 11/16 flat, hardened (zinc)	2
9	C0075.1AK [+]	PIN	1
10	C0083.1AK [+]	COLLAR, tail rack	1
11	C0091.1AK [+]	BEARING	1
12	C0092.1AK [+]	SPRING	1
13	CA0018.02A8 [+]	SCREW, shoulder (stainless steel)	1
14	L0009.1AKYBQ [+]	TAIL SECTION, right (magnesium tone)	1
15	L0010.1AKYBQ [+]	TAIL SECTION, left (magnesium tone)	1
16	L0046.1AKYBQ [+]	TAIL LOOP (magnesium tone)	1
17	M0027.1AK [+]	COVER, rear wire	1
18	M0066.1AD [+]	CABLE, seat lock	1
19	M0067.02A8 [+]	RETAINER, seat lock	1
20	M0068.02A8 [+]	PLATE, seat lock	1
21	M0755.1AK [+]	BRACKET, license plate	1
22	N0008.1AKBYBQ [+]	GRAB HANDLE, passenger, left (magnesium tone)	1
23	N0009.1AKFYBQ [+]	GRAB HANDLE, passenger, right (magnesium tone)	1
24	N0018.1AK [+]	DETENT, tail rack	1
25	N0025.2AKYCE [+]	SEAT, complete (black/orange)	1
	N0025.2AKYW [+]	SEAT, complete (black)	1
26	N1016.1AK [+]	TAIL RACK, w/ graphic	1
27	Y0725.02A8 [+]	LOCK, seat	1

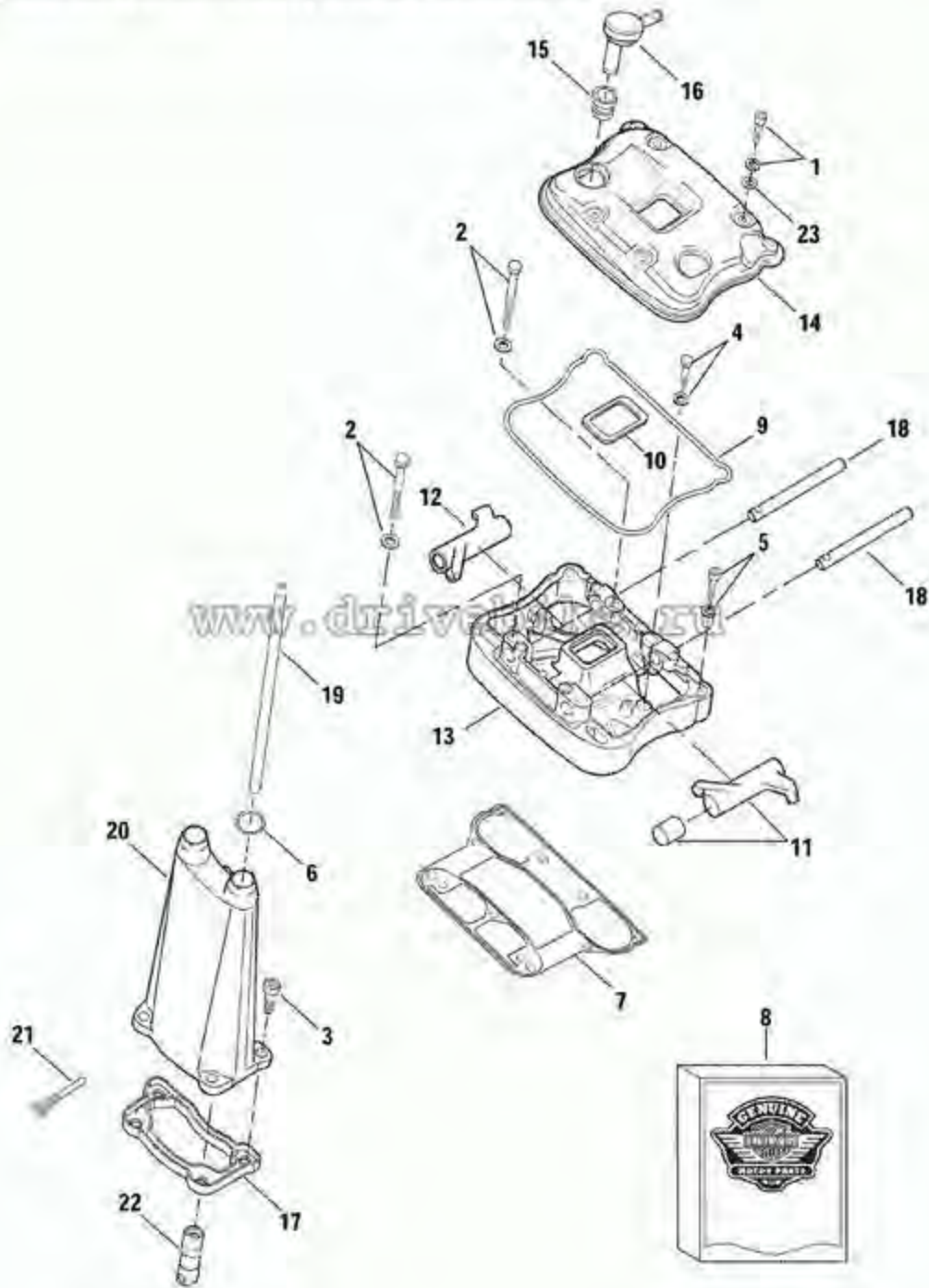
SEAT & TAIL SECTION



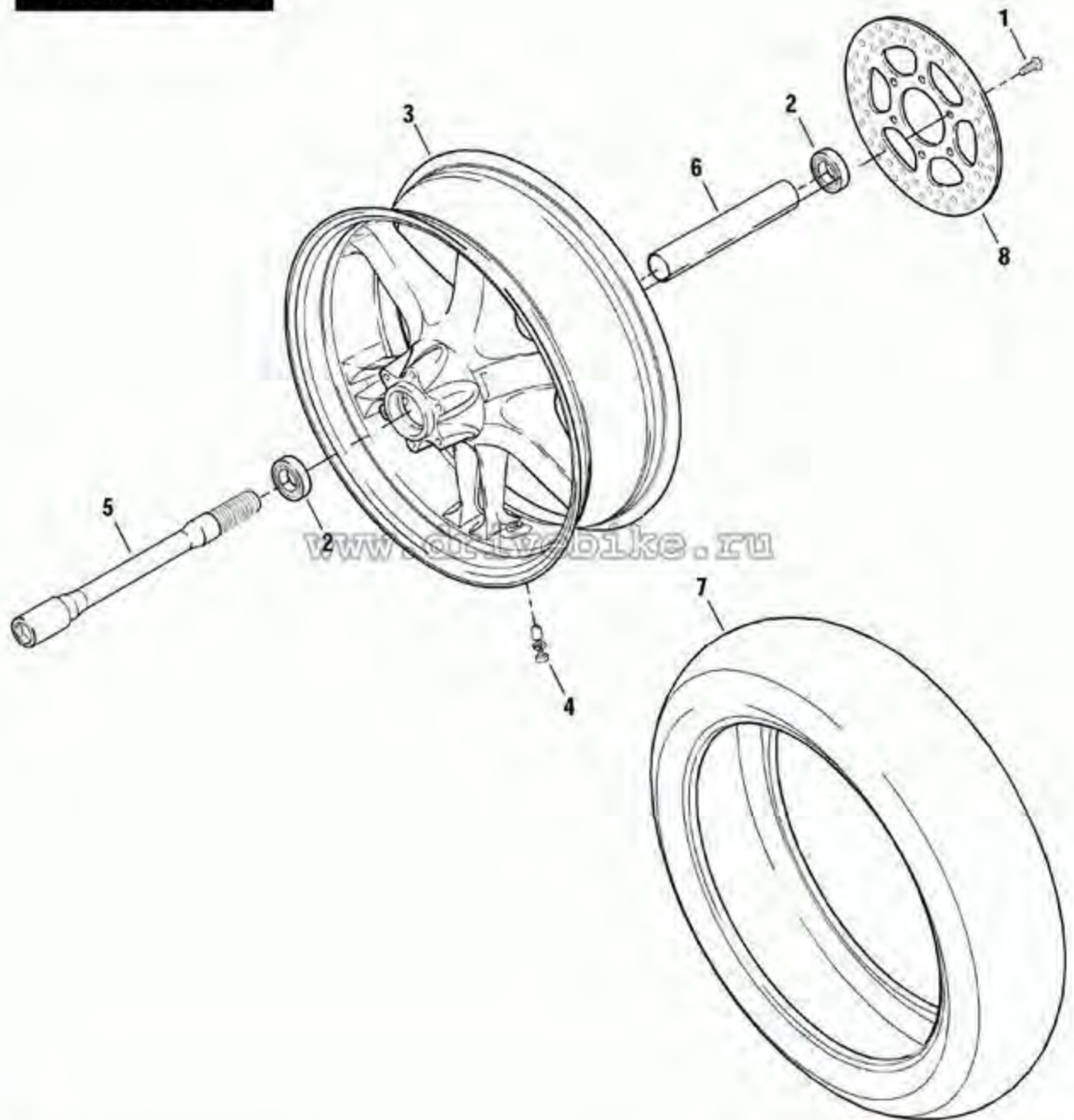
 Администрация не несет ответственность за полноту и достоверность этой информации.

Номер	Номер по каталогу	Название/Описание	Кол-во
1	882 [+]	SCREW, 1/4-20 X 7/8 knurled hd., w/washer (Grade 8)	8
2	1039 [+]	SCREW, 5/16-18 X 2-1/2 hex flange hd. (Grade 8)	8
3	4847 [+]	SCREW	8
4	3849 [+]	SCREW, 1/4-20 X 1-1/4 SEMS hex hd. (Grade 8)	6
5	4718A [+]	SCREW, 1/4-20 X 1-1/2 knurled hd., w/lockpatch	4
6	11190 [+]	O-RING, push rod cover - upper	4
7	16800-84A [+]	GASKET, rocker cover/cylinder head, valve & push rod sides	2
8	17036-91A [+]	GASKET KIT, rocker covers, w/ 7, 9, 10 & 23	1
9	17382-07 [+]	GASKET, rocker cover - lower	2
10	17695-07 [+]	GASKET, rocker cover - inner	2
11	17360-83A [+]	ROCKER ARM ASSEMBLY, w/ bushing, front intake & rear exhaust	2
12	17375-83A [+]	ROCKER ARM ASSEMBLY, w/ bushing, rear intake & front exhaust	2
13	17598-07 [+]	ROCKER COVER, inner	2
14	17605-00YB [+]	ROCKER COVER, top front	1
15	17606-00YA [+]	GROMMET	2
16	17607-00Y [+]	PCV VALVE	2
17	17608-00Y [+]	GASKET, push rod cover front	1
18	17611-83 [+]	SHAFT, rocker arm	4
	17642-02A [+]	ROCKER COVER, top rear (not illustrated)	1
	17649-02 [+]	GASKET, rear push rod cover (not illustrated)	1
19	17908-02 [+]	PUSH ROD, exhaust	2
	17909-02 [+]	PUSH ROD, intake	2
20	17979-02 [+]	COVER, push rod, rear	1
	17986-00Y [+]	COVER, push rod, front	1
21	18532-00A [+]	SCREW, tappet anti-rotation	4
22	18538-99B [+]	HYDRAULIC LIFTER	4
23	63858-49 [+]	GASKET	8

ROCKER ARMS, COVERS & PUSH RODS



REAR WHEEL

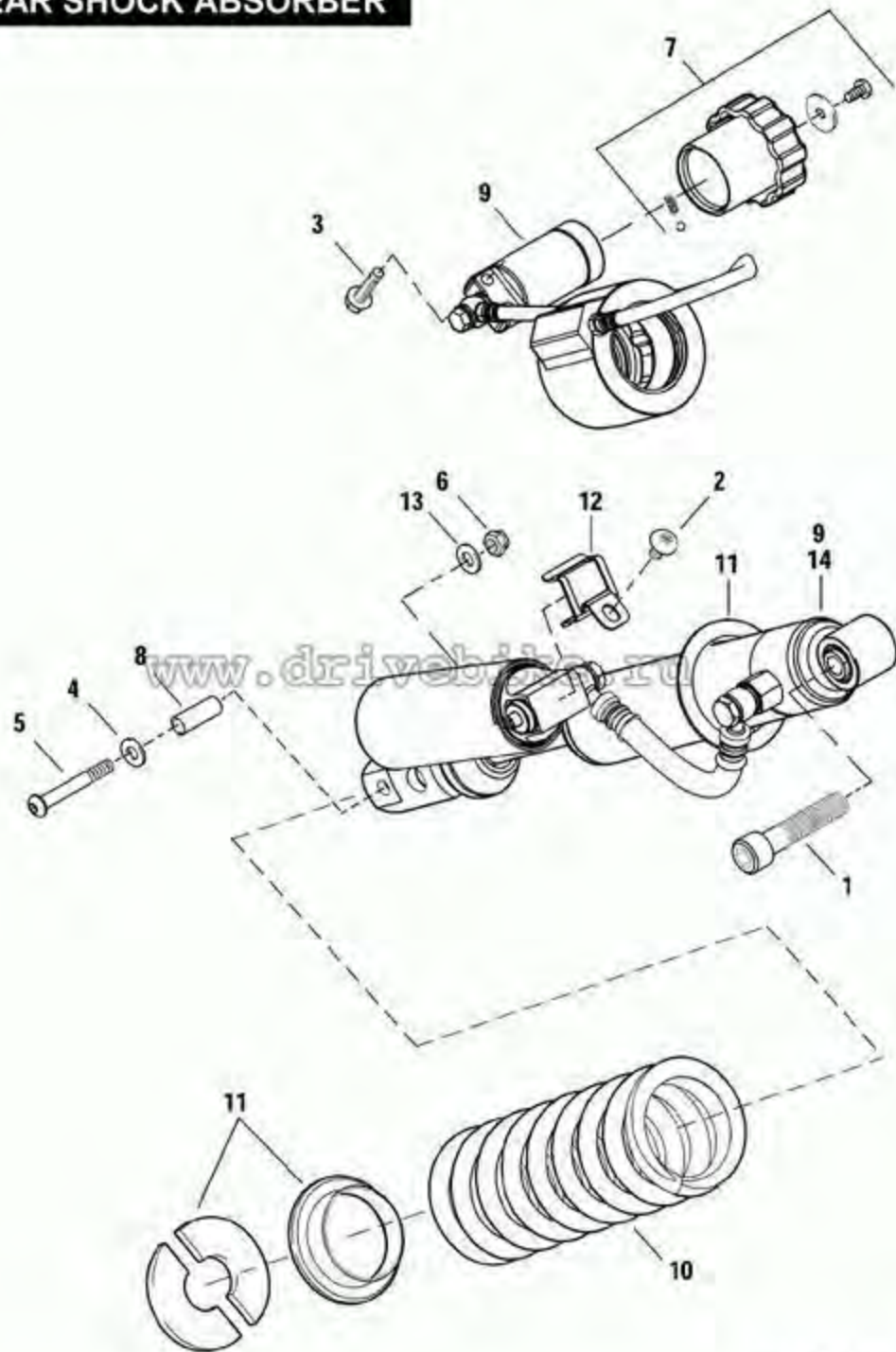


www.drivebike.ru

 The administration is not responsible for the completeness and accuracy of this information.

No.	Catalog	Title / Description	No.
1	GA0005.9A7 [+]	BOLT, rear brake rotor	6
2	E0005.02A8A [+]	WHEEL BEARINGS	2
3	G0309.1AKYBQ [+]	WHEEL ASSEMBLY, rear w / bearings, center spacer & valve stem (magnesium tone)	1
4	G0313.02A8 [+]	VALVE STEM ASSEMBLY, w / cap	1
5	G0321.02A8A [+]	AXLE, rear	1
6	G0323.02A8 [+]	AXLE SPACER, rear	1
7	G0350.1AJ [+]	TIRE, rear	1
8	H0150.02A8 [+]	BRAKE ROTOR, rear	1

REAR SHOCK ABSORBER

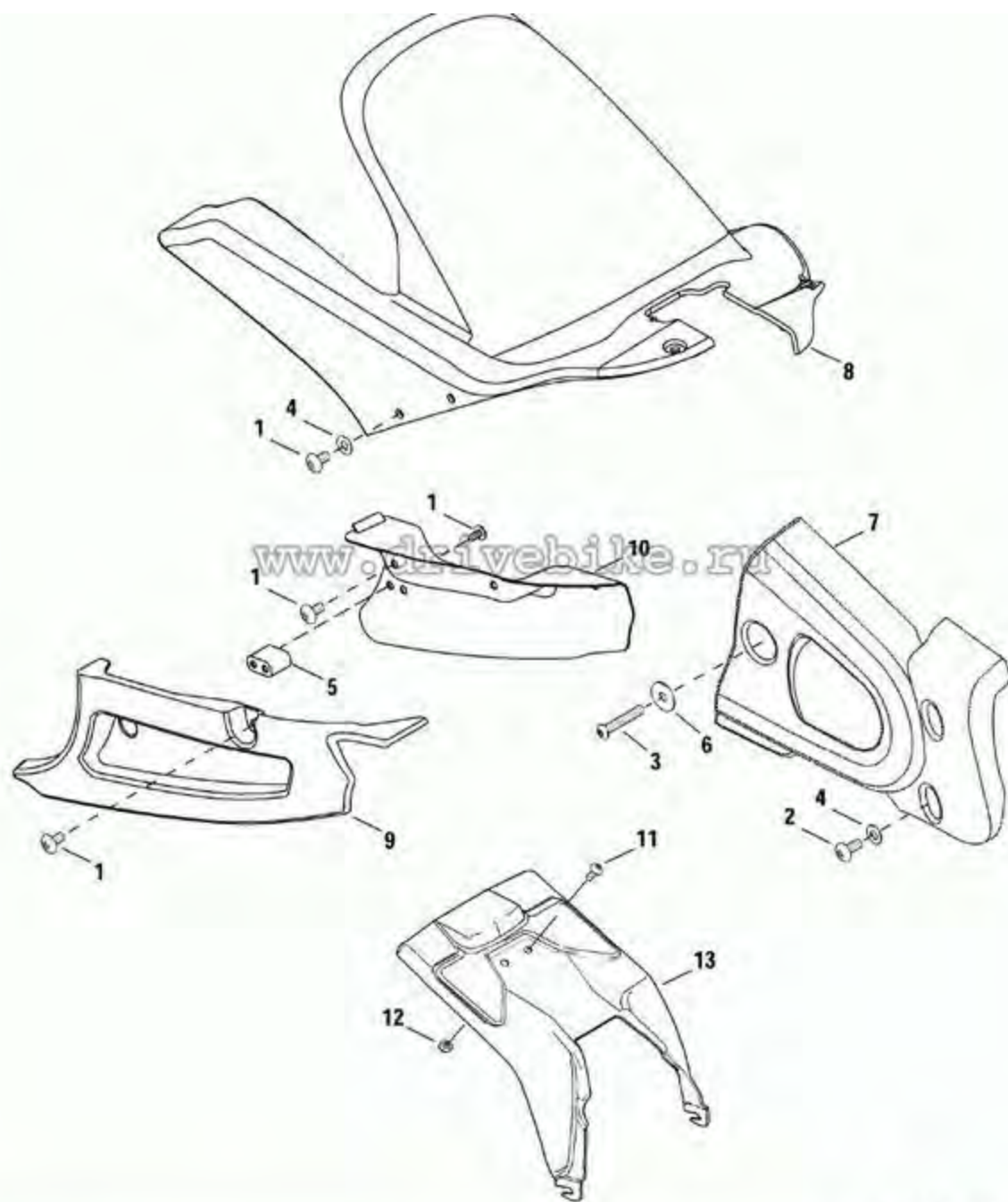


www.drivebike.ru




Администрация не несет ответственность за полноту и достоверность этой информации.


Номер	Номер по каталогу	Название/Описание	Кол-во
1	A10085.2CVB [H]	SCREW, M10 X 1.5 X 65 socket hd. (black olive)	1
2	AA0404.11CZB [H]	SCREW, 1/4-20 X 1/2 TORX truss hd.(bright zinc)	1
3	AA0408.21CRZB [H]	SCREW, 1/4-20 X 1 hex flange hd. (zinc)	2
4	BA0511.2Z [H]	WASHER, 5/16 X 11/16 flat, hardened (zinc)	1
5	CA0020.02A8 [H]	SCREW	1
6	DA0500.10CZ [H]	LOCKNUT, 5/16-18 spring lock (zinc)	1
7	K0004.1AK [H]	PRELOAD ADJUSTMENT KNOB	1
8	K0402.02A8A [H]	SLEEVE, shock mount	1



www.drivebike.ru

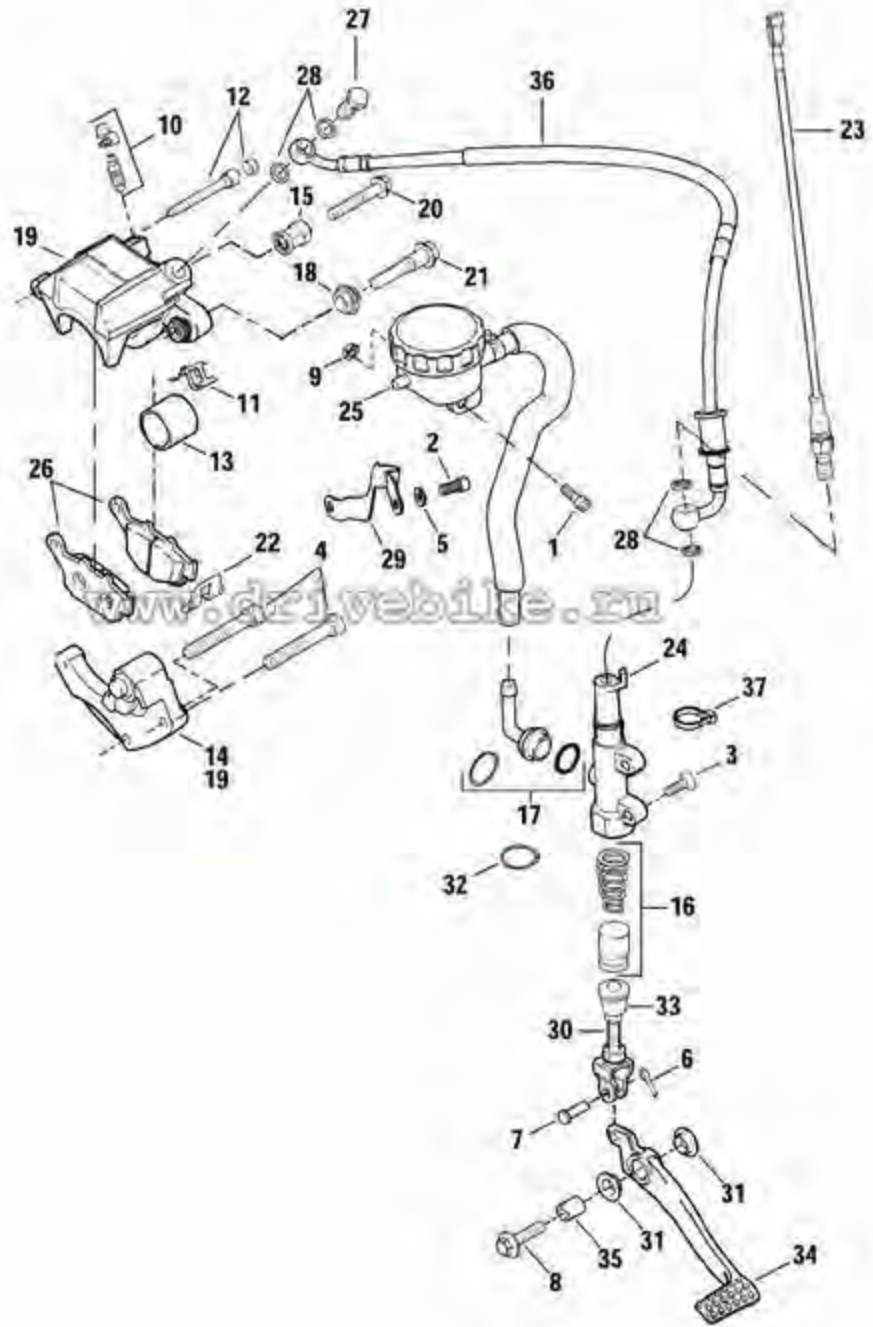
 Администрация не несет ответственность за полноту и достоверность этой информации.

Номер	Номер по каталогу	Название/Описание	Кол-во
1	AA0404.11CXZB [+]	SCREW, 1/4-20 X 1/2 TORX truss hd., w/Scootch grip (bright zinc)	9
2	AA0406.11CXZB [+]	SCREW, 1/4-20 X 3/4 TORX truss hd., w/Scootch rip (bright zinc)	2
3	AA0412.11CXZB [+]	SCREW, 1/4-20 X 1.5 TORX truss hd., w/Scootch grip (Grade 2) (bright zinc)	1
4	BA0409.0 [+]	WASHER, 1/4 X 3/16 nylon	7
5	C0082.4A8A [+]	STANDOFF	1
6	CB0012.02A8 [+]	WASHER	1
7	G0555.1AK [+]	SPROCKET COVER	1
8	M0550.1AK [+]	FENDER, rear inner	1
9	M0560.1AK [+]	BELT GUARD, lower	1
10	M0561.1AKB [+]	STONE GUARD	1
11	AA0404.10CSS [+]	SCREW, 1/4-20 X 1/2 TORX button hd.(stainless)	2
12	DA0400.8CZ [+]	LOCKNUT, 1/4-20 thin nylock	2

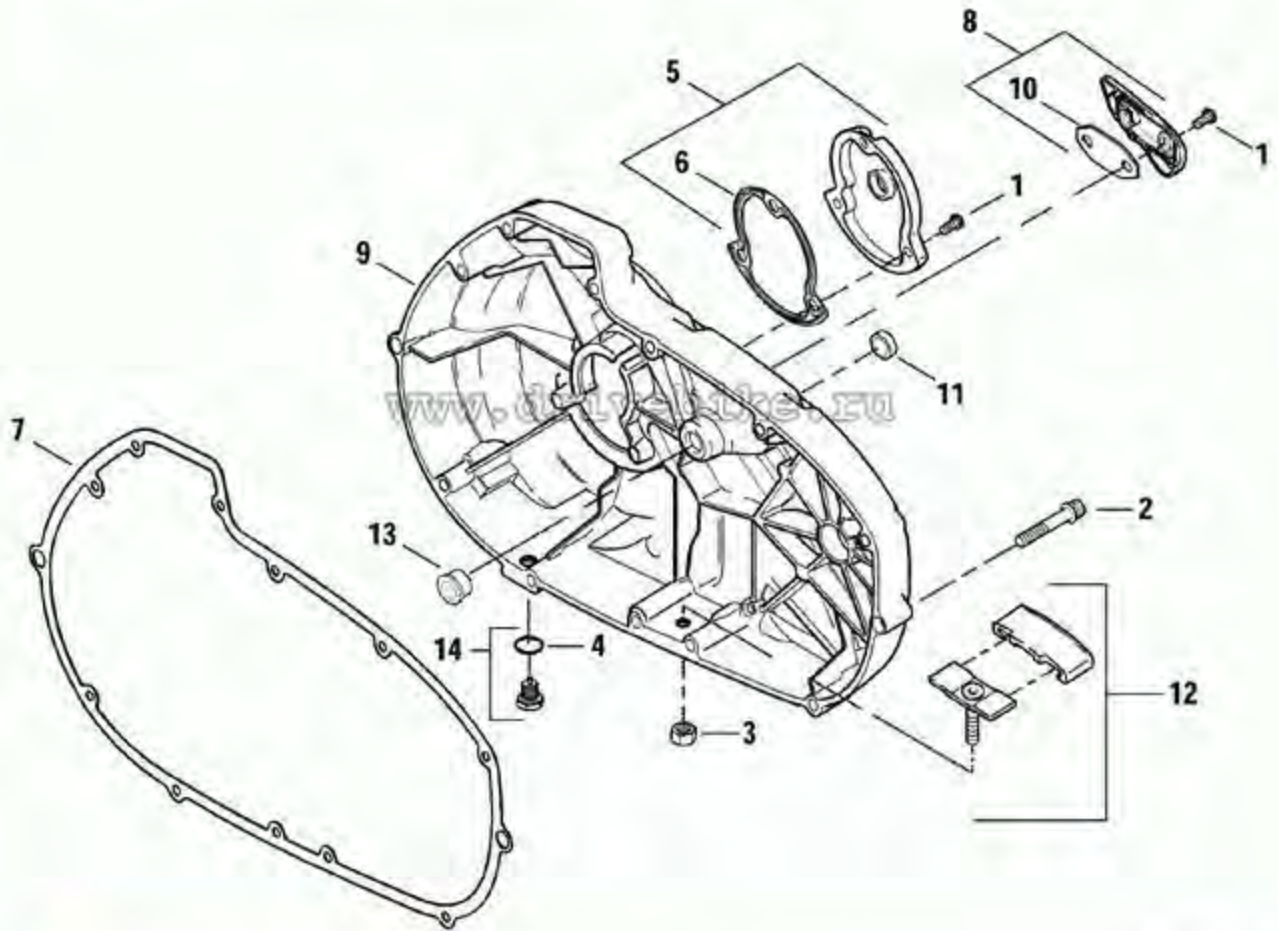
 Администрация не несет ответственность за полноту и достоверность этой информации.

Номер	Номер по каталогу	Название/Описание	Кол-во
1	A06020.2CVB [+]	BOLT, M6 X 1 X 20 socket hd. (black olive)	1
2	AA0406.2CXZB [+]	SCREW, 1/4-20 X 5/8 socket hd., w/Scootch grip (zinc)	2
3	AA0406.2CZB [+]	SCREW, 1/4-20 X 3/4 socket hd. (zinc)	2
4	AA0620.2CZB [+]	SCREW, 3/8-16 X 2.5 socket hd. (bright zinc)	2
5	B0613.1BL [+]	WASHER, 6mm X 13mm (black)	1
6	C0148.T [+]	COTTER PIN	1
7	C0232.TA [+]	CLEVIS PIN, rear master cylinder	1
8	CA0015.02A8 [+]	BOLT, flange head	1
9	D0800.2CBL [+]	LOCKNUT, M8X1 (black)	1
10	H0022.F [+]	FITTING, brake bleeder, w/ cap	1
11	H0024.F [+]	CLIP	1
12	H0026.F [+]	PIN	1
13	H0030.T [+]	PISTON SET, rear caliper	1
14	H0033.02A8A [+]	CARRIER ASSEMBLY, complete w/ H0118.02A8	1
15	H0034.T [+]	BOOT SET, flange bolt	1
16	H0040.F [+]	PISTON SET, rear master cylinder	1
17	H0041.F [+]	CONNECTOR, rear master cylinder w/ o-ring & circlip	1
18	H0053.T [+]	BOOT, bracket pin	1
19	H0102.02A8A [+]	CALIPER & CARRIER, rear, w/ 10, 11, 12, 13, 14, 15, 18, 20, 21 & 26	1
20	H0105.F [+]	BOLT, flange caliper	1
21	H0106.F [+]	PIN BOLT, rear caliper	1
22	H0118.02A8 [+]	RETAINER, rear caliper	1
23	H0203.02A8 [+]	SWITCH, rear brake light	1
24	H0205.1AK [+]	MASTER CYLINDER, rear, w/ 16, 17, 30, 32 & 33	1
25	H0206.1AK [+]	RESERVOIR & HOSE ASSEMBLY	1
	H0212.02A8 [+]	RESERVOIR	1
26	H0301.T [+]	BRAKE PAD ASSEMBLY, rear	1
27	H0405.9B [+]	BANJO BOLT, master cylinder	1
28	H0412.01A0 [+]	WASHER	4
29	H0419.1AK [+]	BRACKET, rear brake line	1
30	N0505.1AD [+]	ROD, brake linkage	1
31	N0513.T [+]	BEARING, pedal	2
32	N0516.T [+]	CIRCLIP	1
33	N0517.T [+]	BOOT, brake piston	1
34	N0530.02A8 [+]	PEDAL ASSEMBLY, w/ N0513.T	1
35	N0599.02A8A [+]	SLEEVE, shift/brake lever	1
36	H1522.1AK [+]	BRAKE LINE ASSEMBLY, rear, w/ H0203.02A8, H0405.9B & H0412.01A0	1
37	Y0303.2B [+]	CABLE STRAP	1


REAR BRAKE CONTROL & CALIPER



PRIMARY COVER & CHAIN TENSIONER



www.drivebike.ru

 The administration is not responsible for the completeness and accuracy of this information:

No.	Catalog	Title / Description	No.
1	943 [H]	SCREW, 1/4-20 X 5/8 socket button hd.	5
2	4924 [H]	SCREW, 1/4-20 X 2 SEMS socket hd.	13
3	7804 [H]	LOCKNUT, 1/2-13 X 15/32 X 7/8 self-sealing	1
4	11105 [H]	O-RING	1
5	25349-03 [H]	COVER KIT, clutch, w / 25377-03A	1
6	25377-03A [H]	GASKET, clutch cover	1
7	25378-02B [H]	GASKET, primary cover	1
8	25380-03 [H]	COVER KIT, inspection, w / 34819-03	1
9	25642-06 [H]	PRIMARY COVER, w / 40574-06 (painted metallic)	1
10	34819-03A [H]	GASKET, inspection cover	1
11	37107-06 [H]	OIL SEAL, shifter shaft	1
12	40039-02B [H]	ADJUSTER ASSEMBLY, chain, w / shoe, collar, plate & screw	1
13	40574-06 [H]	BUSHING	1
14	60328-96B [H]	DRAIN PLUG KIT, w / 11105	1

PISTON & FLYWHEEL ASSEMBLY

You have gone full screen. [Exit full screen \(F11\)](#)



www.drivebike.ru

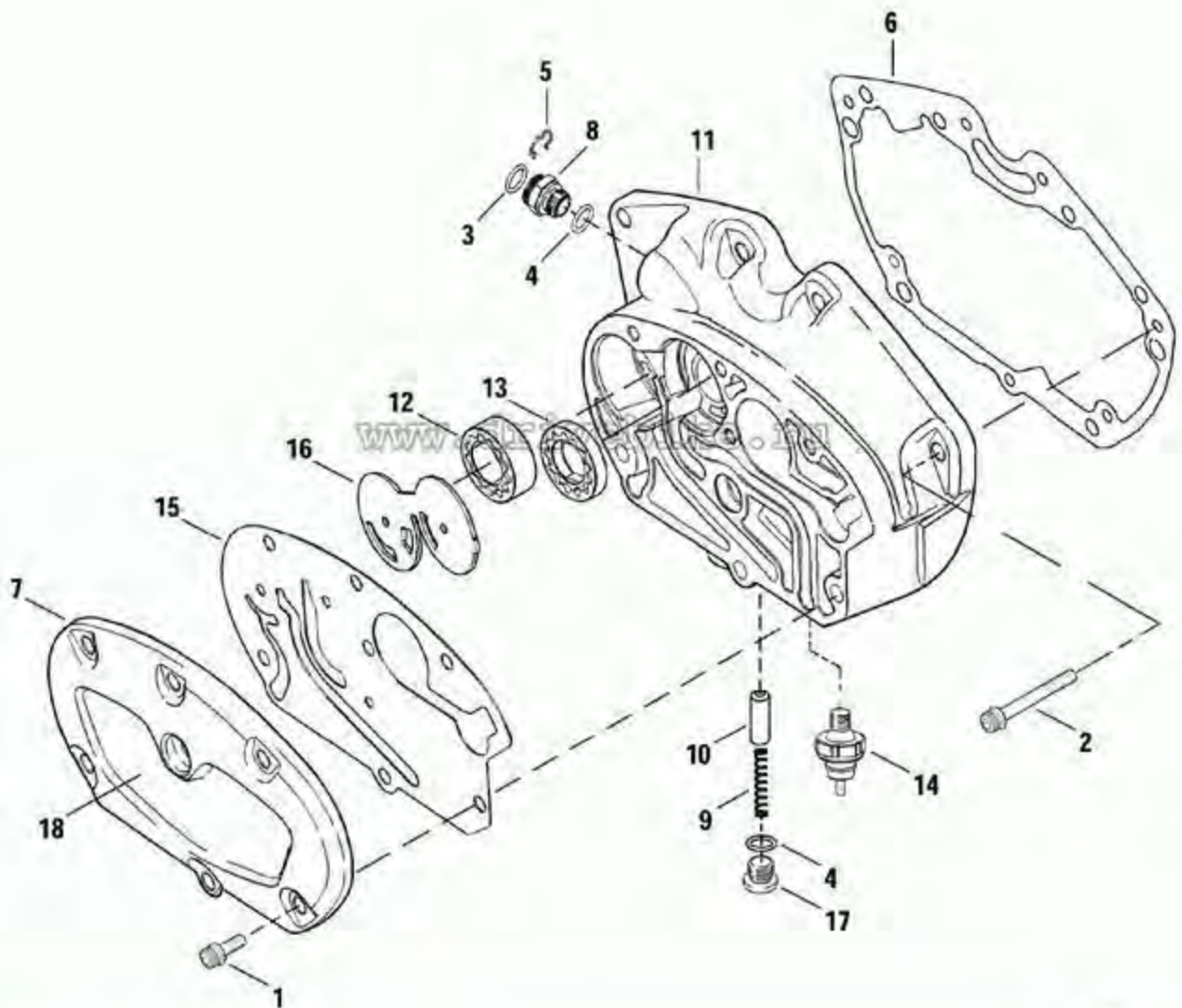


The administration is not responsible for the completeness and accuracy of this information.

No.	Catalog	Title / Description	No.
1	11177A [+]	RETAINING RING	1
2	21948-02 [+]	PISTON RING SET, standard	2
3	22244-04A [+]	PISTON & RINGS ASSEMBLY, standard	2
4	22785-02 [+]	PISTON PIN	2
5	23899-08 [+]	FLYWHEEL & CONNECTING ROD ASSEMBLY, w / 24658-87	1
6	24331-36 [+]	BUSHING, piston pin - standard	2
	24332-36 [+]	BUSHING, piston pin - 0,01 oversize	2
7	24658-87 [+]	INNER RING	1

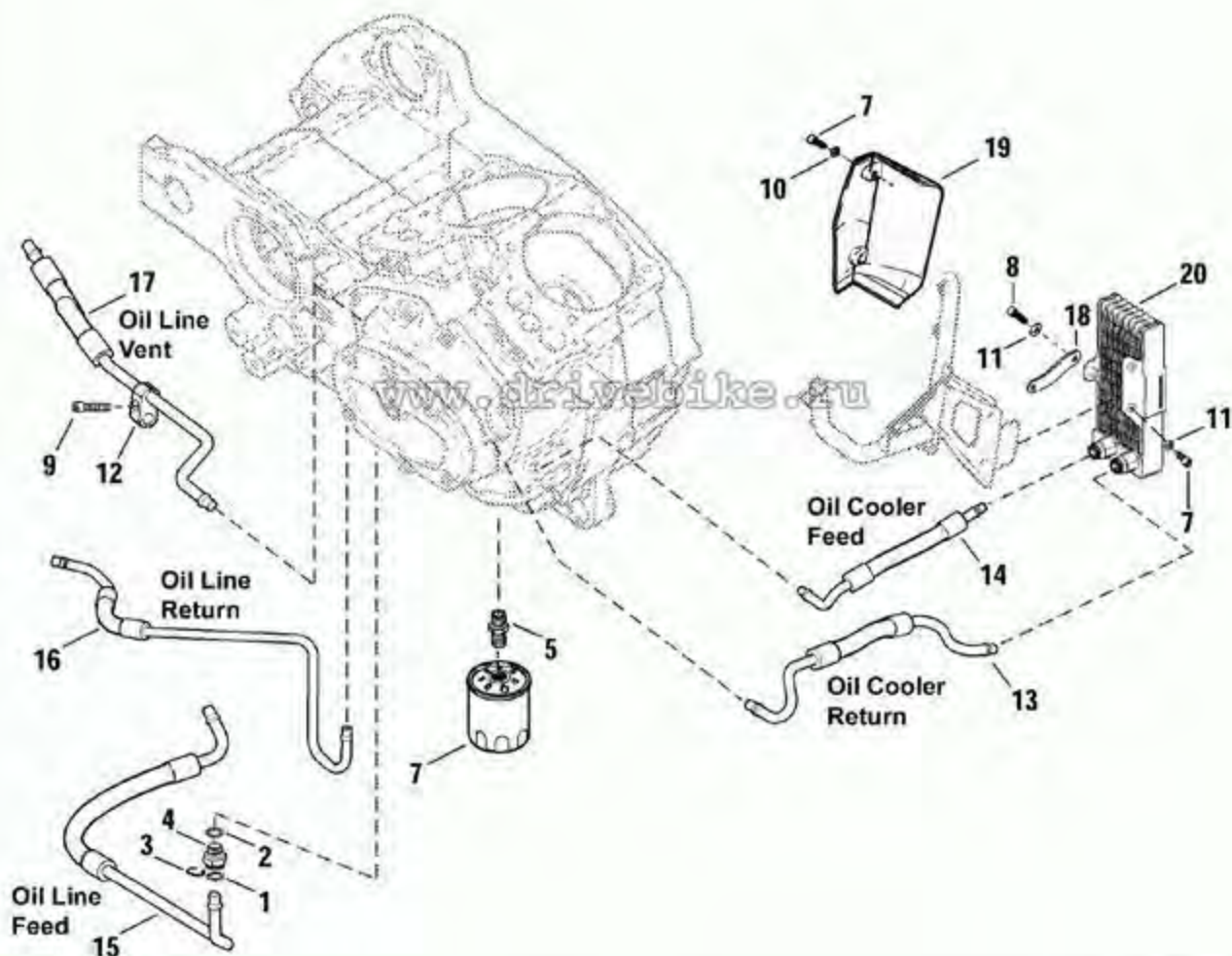
PISTON & FLYWHEEL ASSEMBLY





The administration is not responsible for the completeness and accuracy of this information.

No.	Catalog	Title / Description	No.
1	1752 [x]	SCREW, No. 1/4-20 X 1-1/8 hex socket	7
2	1753 [x]	SCREW, No. 1/4-20 X 3,0 hex socket	4
3	11110 [H]	O-RING	4
4	11290 [H]	O-RING	5
5	11408 [H]	RETAINER, wire clip	4
6	25353-00YB [H]	GASKET, gearcase	1
7	25778-08 [x]	COVER, oil pump	1
8	25064-08 [x]	FITTING, w / o-rings, retainer clip	4
9	26210-89 [x]	SPRING, compression	1
10	26400-82B [x]	VALVE, bypass	1
11	26510-08 [x]	OIL PUMP ASSEMBLY	1
12	26546-08 [x]	GEROTOR SET, return	1
13	26547-08 [x]	GEROTOR SET, feed	1
14	26554-77B [x]	SWITCH, oil pressure	1
15	26560-08 [x]	GASKET, cover	1
16	26568-08 [x]	SEPERATOR PLATE	1
17	60330-08 [x]	PLUG, w / o-ring	1
18	T0120 544 [H]	GRAPHIC, oil pump cover	1



www.drivebike.ru

1 Администрация не несет ответственность за полноту и достоверность этой информации.

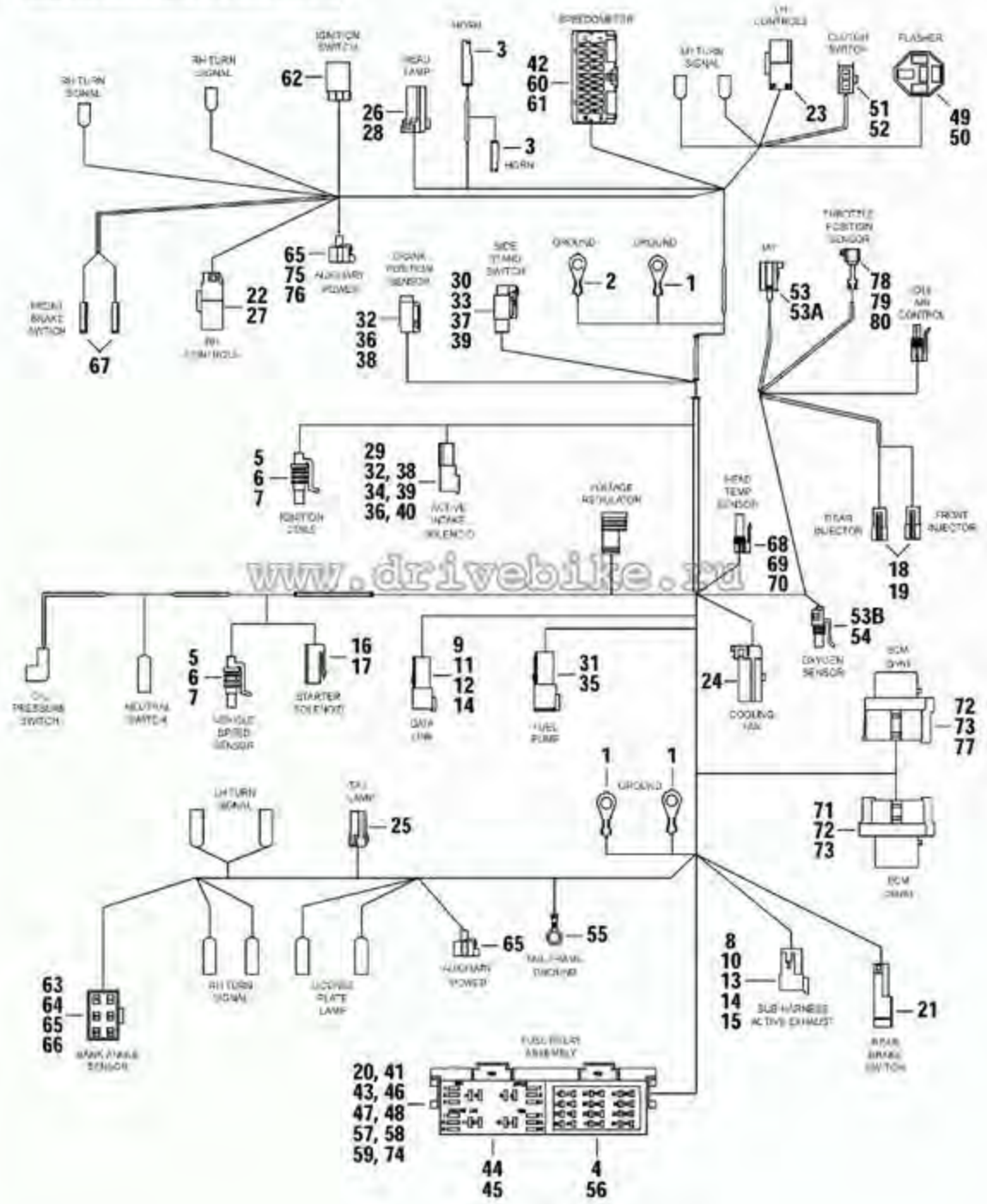
Номер	Номер по каталогу	Название/Описание	Кол-во
1	11110 [+]	O-RING	4
2	11290 [+]	O-RING	6
3	11408 [+]	RETAINER, wire clip	4
4	28084-08 [+]	FITTING, w/ o-rings, retainer clip	4
5	33117-91A [+]	ADAPTER, oil filter	1
6	63806-00Y [+]	OIL FILTER	1
7	AA0405.2CXZB [+]	SCREW, 1/4-20 X 5/8 socket hd., w/Scootch grip (zinc)	5
8	AA0406.2CZB [+]	SCREW, 1/4-20 X 3/4 socket hd. (zinc)	1
9	AN1008.2CXZB [+]	BOLT, No. 10-24 X 3/4 socket hd., w/Scootch grip	1
10	B0613.1BL [+]	WASHER, 6mm X 13mm (black)	5
11	BA0410.3Z [+]	WASHER, 1/4 X 11/16 flat (zinc)	1
12	C0034.02A8 [+]	CLAMP, 3/8 in. routing holes	1
	H0404.8 [+]	CLAMP, oil line cushioned, 14mm, swingarm (not illustrated)	1
	Q0300.4A8 [+]	CLAMP, oil line cushioned, 3/8 in., swingarm (not illustrated)	1
13	HS0008.1AK [+]	OIL LINE, oil cooler return	1
14	HS0009.1AK [+]	OIL LINE, oil cooler feed	1
15	HS0022.1AK [+]	OIL LINE, oil pump feed	1
16	HS0023.1AK [+]	OIL LINE, oil pump return	1
17	HS0024.1AK [+]	OIL LINE, vent	1
18	L0077.3AA [+]	BRACKET, stabilizer	1

34	74142-98 [H]	PIN LOCK, 2-way	1
35	74144-98 [H]	SECONDARY LOCK, 4-way	1
36	74152-98 [H]	SOCKET LOCK, 2-way	2
37	74153-98 [H]	LOCK CONNECTOR, 3-way socket housing	1
38	74190-98 [H]	TERMINAL PIN, 16-20 gauge	6
39	74191-98 [H]	TERMINAL SOCKET, 16-20 gauge	5
40	74195-98 [H]	SEAL PIN, plug	5
41	Y0011.K [H]	FUSE, 15A	4
42	Y0021.02A8 [H]	BOOT, instrument cluster harness	1
43	Y0023.1AD [H]	MAIN FUSE, 30 AMP	1
44	Y0160.3AK [H]	BLOCK TOP COVER, fuse/relay w/ labels	1
45	Y1202.1AK [H]	BRACKET, fuse/relay	1
46	Y0033.02A8 [H]	FUSE HOLDER COVER (black)	1
47	Y0034.02A8 [H]	FUSE HOLDER, inner red	1
	Y0136.3AK [H]	MAIN WIRE HARNESS (CONTINUED) - Includes the following parts:	1
48	Y0035.02A8 [H]	FUSE HOLDER, single j-fuse bracket	1
49	Y0045.02A8 [H]	CONNECTOR	1
50	Y0046.02A8 [H]	TERMINAL	3
51	Y0063.02A8 [H]	CONNECTOR, 2-pin (black)	1
52	Y0054.02A8 [H]	TERMINAL	2
53	Y0066.02A8 [H]	CONNECTOR, 2-pin, w/ seal (black)	1
53A	Y0067.02A8 [H]	TERMINAL	1
53B	Y0071.02A8 [H]	CONNECTOR, single (black)	1
54	Y0072.02A8 [H]	TERMINAL	1
55	Y0081.02A8 [H]	TERMINAL, eye	1
56	Y0091.02A8 [H]	TERMINAL	10
57	Y0092.02A8 [H]	TERMINAL	2
58	Y0093.02A8 [H]	FUSE HOLDER, main (black)	2
59	Y0094.02A8 [H]	TERMINAL PIN, j-fuse holder	1
60	Y0095.02A8 [H]	CONNECTOR (black)	1
61	Y0096.02A8 [H]	TERMINAL, socket	12
62	Y0097.02A8 [H]	CONNECTOR, w/ seal (black)	1
63	Y0129.02A8 [H]	CONNECTOR	1
64	Y0130.02A8 [H]	TERMINAL, socket	3
65	Y0131.02A8 [H]	WIRE SEAL	7
66	Y0132.02A8 [H]	PLUG (black)	3
67	Y0134.02A8 [H]	TERMINAL, socket	2
68	Y0216.4A8 [H]	CONNECTOR, single assembly (black)	1
69	Y0217.4A8 [H]	TERMINAL, 16 & 18 gauge	1
70	Y0218.4A8 [H]	TPA (black)	1
71	Y0219.4A8 [H]	CONNECTOR, 34-pin (black)	1
72	Y0221.4A8 [H]	TERMINAL, 16 & 18 gauge	15
73	Y0222.4A8 [H]	TERMINAL, 20 gauge	17
74	Y0225.1AK [H]	COVER, lower, fuse/relay block	1
75	Y0226.1AK [H]	CONNECTOR, 2-pin (gray)	2
76	Y0228.1AK [H]	TERMINAL, socket	4
77	Y0232.4A8 [H]	CONNECTOR, 34-pin (grey)	1
78	Y0234.5AAA [H]	CONNECTOR, 3-way socket (black)	1
79	Y0242.5AAA [H]	TERMINAL SOCKET	3
80	Y0246.5AA [H]	SEAL WIRE	3
	Y0317.3AK [H]	CABLE, positive battery w/ 70576-69 (not illustrated)	1

 Администрация не несет ответственность за полноту и достоверность этой информации.

Номер	Номер по каталогу	Название/Описание	Кол-во
	Y0136.3AK [+]	MAIN WIRE HARNESS - Includes the following parts.	1
1	9825 [+]	TERMINAL, ring	3
2	9838 [+]	TERMINAL, ring, 1/4 in. double	1
3	9839 [+]	TERMINAL, insulated	2
4	31522-00C [+]	RELAY	4
	70578-89 [+]	BOOT, rubber, starter wire (not illustrated)	1
5	72064-06 [+]	HOUSING, 3-way female	2
6	72094-06 [+]	TERMINAL, female, 18 gauge	6
7	72096-06 [+]	WIRE SEAL, 18-20 gauge	6
8	72103-94BK [+]	CONNECTOR (black)	1
9	72124-94GY [+]	CONNECTOR (gray)	1
10	72143-94 [+]	LOCK, secondary	1
11	72144-94 [+]	SPACER	1
12	72164-94A [+]	SEAL, connector	1
13	72173-94 [+]	SEAL, connector	2
14	72190-94 [+]	TERMINAL	2
15	72192-98 [+]	TERMINAL, exhaust valve actuator	3
16	72291-94 [+]	TERMINAL, female spade (14-16 gauge)	1
17	72295-94 [+]	HOUSING, starter connector	1
18	72402-07 [+]	CONNECTOR, 2-way socket (black)	2
19	72413-07 [+]	SOCKET, terminal, 18-20 gauge	4
20	72462-00 [+]	FUSE, 10-amp	7
21	73102-96BK [+]	CONNECTOR (black)	1
22	73104-96BK [+]	CONNECTOR, 4-pin (black)	1
23	73108-96BK [+]	PIN, housing 8-way (black)	2
24	73152-96BK [+]	CONNECTOR (black)	1
25	73153-96BK [+]	CONNECTOR (black)	1
26	73154-96WE [+]	CONNECTOR (white)	1
27	73190-96 [+]	TERMINAL	14
28	73191-96 [+]	TERMINAL	9
29	74102-96BK [+]	HOUSING, 2-way pin (black)	1
30	74103-96BK [+]	CONNECTOR, 3-way pin housing (black)	1
31	74104-96BK [+]	CONNECTOR, 4-way pin housing	1
32	74112-96BK [+]	SOCKET, housing, 2-way (black)	2
33	74113-96BK [+]	CONNECTOR, 3-way socket housing (black)	1

MAIN WIRE HARNESS

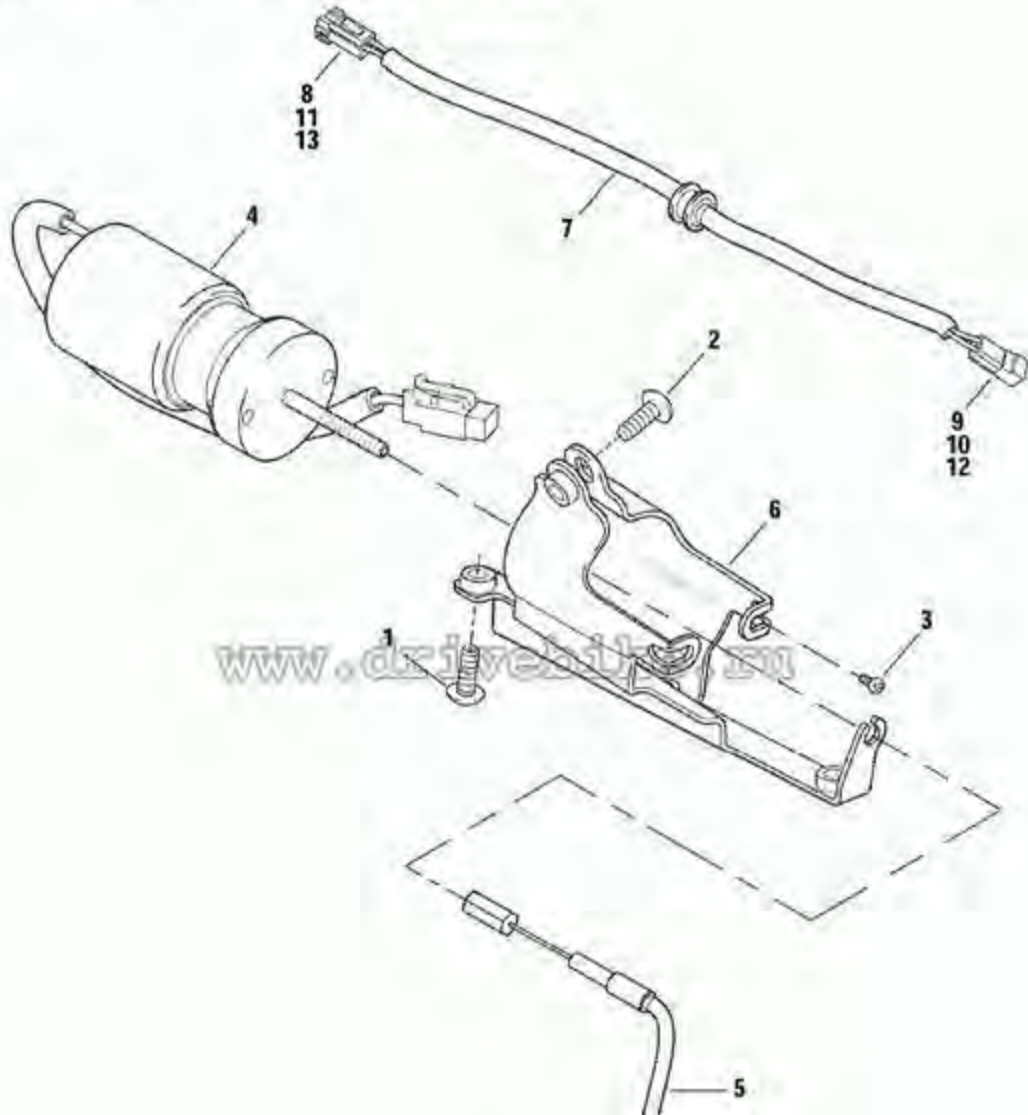




Администрация не несет ответственность за полноту и достоверность этой информации.

Номер	Номер по каталогу	Название/Описание	Кол-во
1	AA0404.11CXZB [+]	SCREW, 1/4-20 X 1/2 TORX truss hd., w/Scotch grip (bright zinc)	3
2	AA0406.11CXZB [+]	SCREW, 1/4-20 X 3/4 TORX truss hd., w/Scotch rip (bright zinc)	1
3	AN1005.2CZ [+]	SCREW, No. 10-24 X 5/8, socket hd.	2
4	P0046.2AC [+]	SOLENOID ASSEMBLY	1
5	P0047.2AC [+]	SOLENOID CABLE	1
	P0139.K [+]	GROMMET, active intake cable (not illustrated)	1
6	P0353.2AC [+]	BRACKET, solenoid mounting	1
7	Y0460.4A8 [+]	SUB-HARNESS, active intake	1
8	74102-98BK [+]	HOUSING, pin, 2-way (black)	1
9	74112-98BK [+]	HOUSING, socket, 2-way (black)	1
10	74142-98 [+]	PIN LOCK, 2-way	1
11	74152-98 [+]	SOCKET LOCK, 2-way	1
12	74192-98 [+]	PIN, terminal	1
13	74193-98 [+]	SOCKET, terminal	1

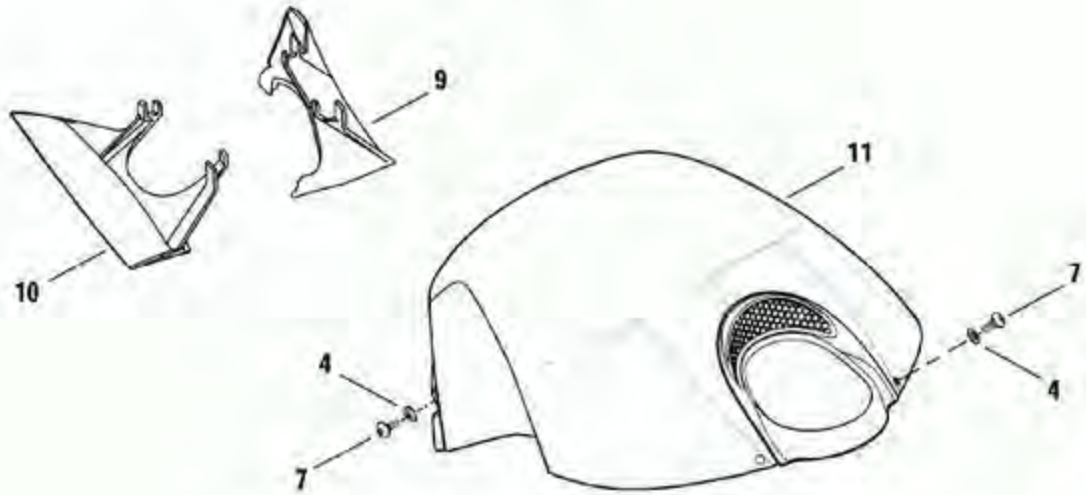
JAPAN EMISSIONS COMPONENTS



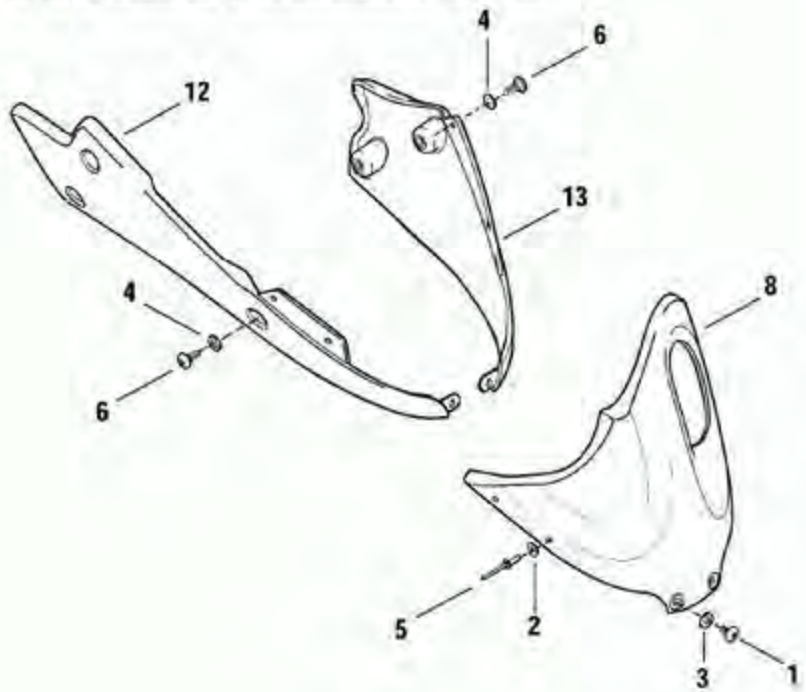
1 The administration is not responsible for the completeness and accuracy of this information.


No.	Catalog	Title / Description	No.
1	AA0404.11CXZB [+]	SCREW, 1/4-20 X 1/2 TORX truss hd., W / Sootch grip (bright zinc)	2
2	BA0308.1ZB [+]	WASHER, 3/16 X 1/2 flat (bright zinc)	4
3	BA0409.6 [+]	WASHER, 1/4 X 9/16 nylon	2
4	BA0509.6 [+]	WASHER, 5/16 X 9/16 nylon	13
5	C0520.02A8 [+]	RIVET, black.	4
6	CA0012.02A8 [+]	SCREW, shoulder	9
7	CA0018.02A8 [+]	SCREW, shoulder (stainless steel)	4
8	M0698.02A8AMBQ [+]	CHIN FAIRING, center (magnesium tone)	1
9	M1138.3AK [+]	AIR FLOW GUIDE, left	1
10	M1139.3AK [+]	AIR FLOW GUIDE, right	1
11	M1224.2AKMW [+]	INTAKE COVER KIT, w / decals (midnight black)	1
	M1224.2AKMBW [+]	INTAKE COVER KIT, w / decals (barricade orange)	1
	M1224.3AKMCA [+]	INTAKE COVER KIT, w / decals (thrust blue)	1
12	M2647.02A8AMW [+]	CHIN FAIRING KIT, right (midnight black)	1
13	M2648.02A8AMW [+]	CHIN FAIRING KIT, left (midnight black)	1

INTAKE COVER & CHIN FAIRING



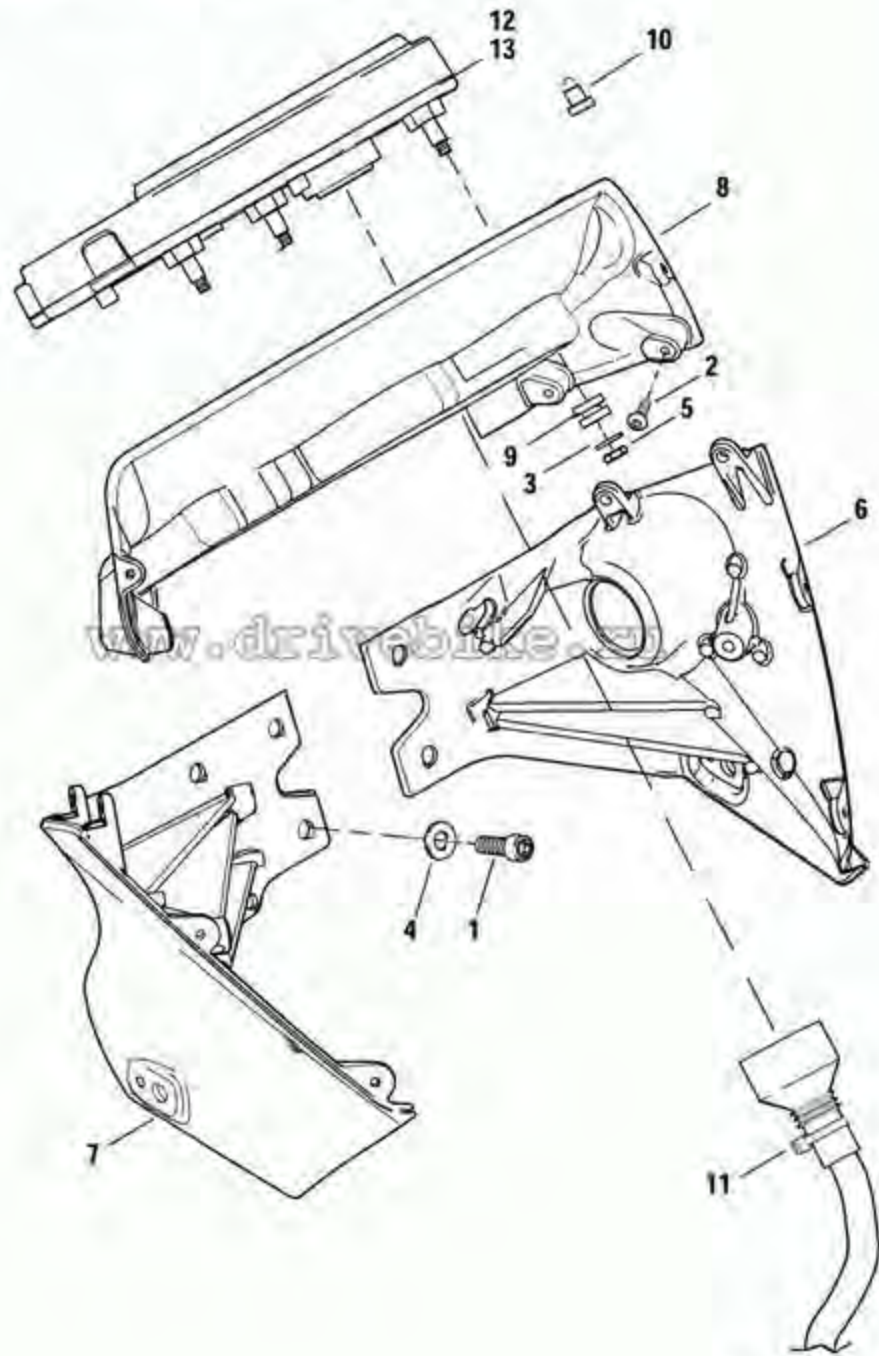
www.drivebike.ru



 Администрация не несет ответственность за полноту и достоверность этой информации.

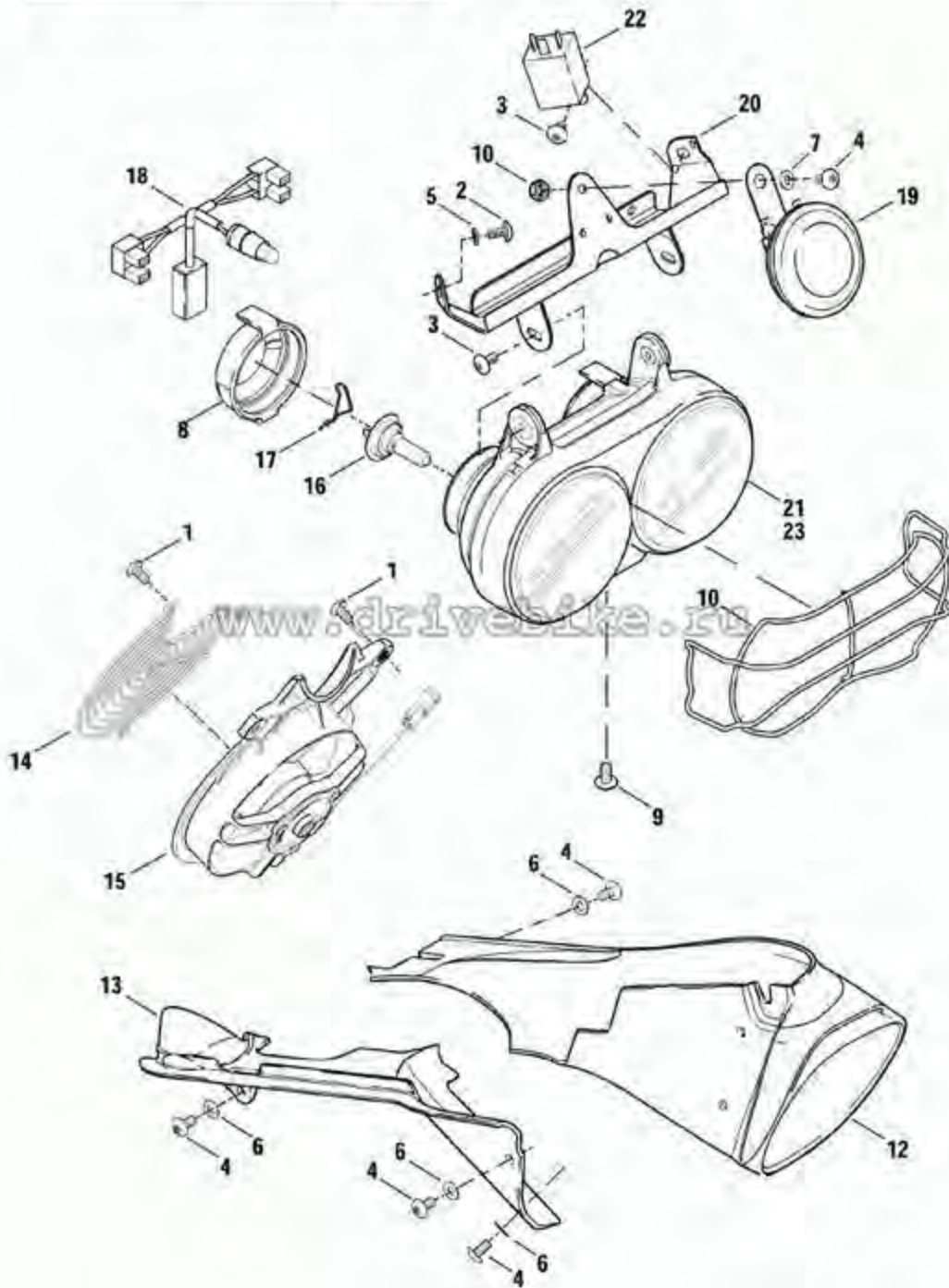
Номер	Номер по каталогу	Название/Описание	Кон-во
1	AA0507.2CZB [+]	SCREW, 5/16-18 X 7/8 socket hd. (bright zinc)	1
2	AN1005.3FSS [+]	SCREW, No. 10-32 X 5/8 button hd. (stainless)	4
3	B0510.1BL [+]	WASHER, M5 X 10 flat (black chromate)	3
4	BA0511.2Z [+]	WASHER, 5/16 X 11/16 flat, hardened (zinc)	1
5	D0500.1CBL [+]	JAM NUT, M5 X 10 (black chromate)	3
6	L0940.1AKYBP [+]	FRONT MODULE, left (graphite grey)	1
7	L0941.1AKYBP [+]	FRONT MODULE, right (graphite grey)	1
8	L0942.1AKYBP [+]	FAIRING SUPPORT, center (graphite grey)	1
9	M0849.01A3 [+]	GROMMET	3
10	Y0162.02A8 [+]	BULB, instrument cluster, backlight	1
	Y0163.02A8 [+]	BULB, instrument cluster, warning lights	1
11	Y0303.2B [+]	CABLE STRAP	1
12	Y0500.3AK [+]	INSTRUMENT CLUSTER, mph (DOMESTIC, ENGLAND)	1
13	Y0501.3AK [+]	INSTRUMENT CLUSTER, kph (AUSTRALIA, CANADA, EUROPE, JAPAN) - INTERNATIONAL MODELS ONLY	1

INSTRUMENT CLUSTER



Номер	Номер по каталогу	Название/Описание	Кол-во
	10177 [+]	CABLE STRAP, wire harness (not illustrated)	1
	11804 [+]	RIVNUT, scoop fasteners (not illustrated)	1
1	AA0404.10CSS [+]	SCREW, 1/4-20 X 1/2 TORX button hd.(stainless)	5
2	AA0404.11CZB [+]	SCREW, 1/4-20 X 1/2 TORX truss hd.(bright zinc)	2
3	AA0404.11CXZB [+]	SCREW, 1/4-20 X 1/2 TORX truss hd.,w/Scotch grip (bright zinc)	2
4	AA0408.11CZB [+]	SCREW, 1/4-20 X 3/4 TORX truss hd. (bright zinc)	6
5	B0813.1BL [+]	WASHER, 8mm X 13mm (black)	2
6	BA0409.6 [+]	WASHER, 1/4 X 9/16 nylon	8
7	BA0412.1Z [+]	WASHER, 1/4 X 3/4 (bright zinc)	1
8	C0051.1AD [+]	BOOT, headlight	2
9	CA0018.02A8 [+]	SCREW, shoulder (stainless steel)	1
10	DA0400.8CZ [+]	LOCKNUT, 1/4-20 thin nylock	1
11	M0023.1AJAYT [+]	GRILLE, headlight	1
12	M0902.4A8MBE [+]	AIR SCOOP ASSEMBLY, ram (body black)	1
13	M0903.02A8A [+]	ENGINE SCOOP ASSEMBLY, right	1
14	R0053.1ADB [+]	SCREEN, cooling fan	1
15	Y0050.02A8A [+]	FAN ASSEMBLY	1
16	Y0148.1AD [+]	BULB, 55W (CANADA, DOMESTIC, CALIFORNIA)	2
17	Y0149.1AD [+]	HOLDER, bulb	2
18	Y0150.1AD [+]	WIRE HARNESS, headlight	1
19	Y0308.TB [+]	HORN	1
20	Y0347.1AKA [+]	BRACKET, headlight mount	1
21	Y0421.1ADA [+]	HEADLIGHT ASSEMBLY, right hand traffic, complete, w/ 8, 16, 17, 18 (CANADA, DOMESTIC, CALIFORNIA)	1
22	Y0621.MB [+]	RELAY, turn signal	1
	53438-97 [+]	BULB, position (AUSTRALIA, ENGLAND, EUROPE, JAPAN) (not illustrated) - INTERNATIONAL MODELS ONLY	1
23	Y0422.1ADA [+]	HEADLIGHT ASSEMBLY, right hand traffic, complete, w/ 8, 16, 17, 18 & 53438-97 (EUROPE) - INTERNATIONAL MODELS ONLY	1
	Y0426.1ADA [+]	HEADLIGHT ASSEMBLY, left hand traffic, complete, w/ 8, 16, 17, 18 & 53438-97 (AUSTRALIA, ENGLAND, JAPAN) - INTERNATIONAL MODELS ONLY	1

HEADLIGHTS, HORN & FAN

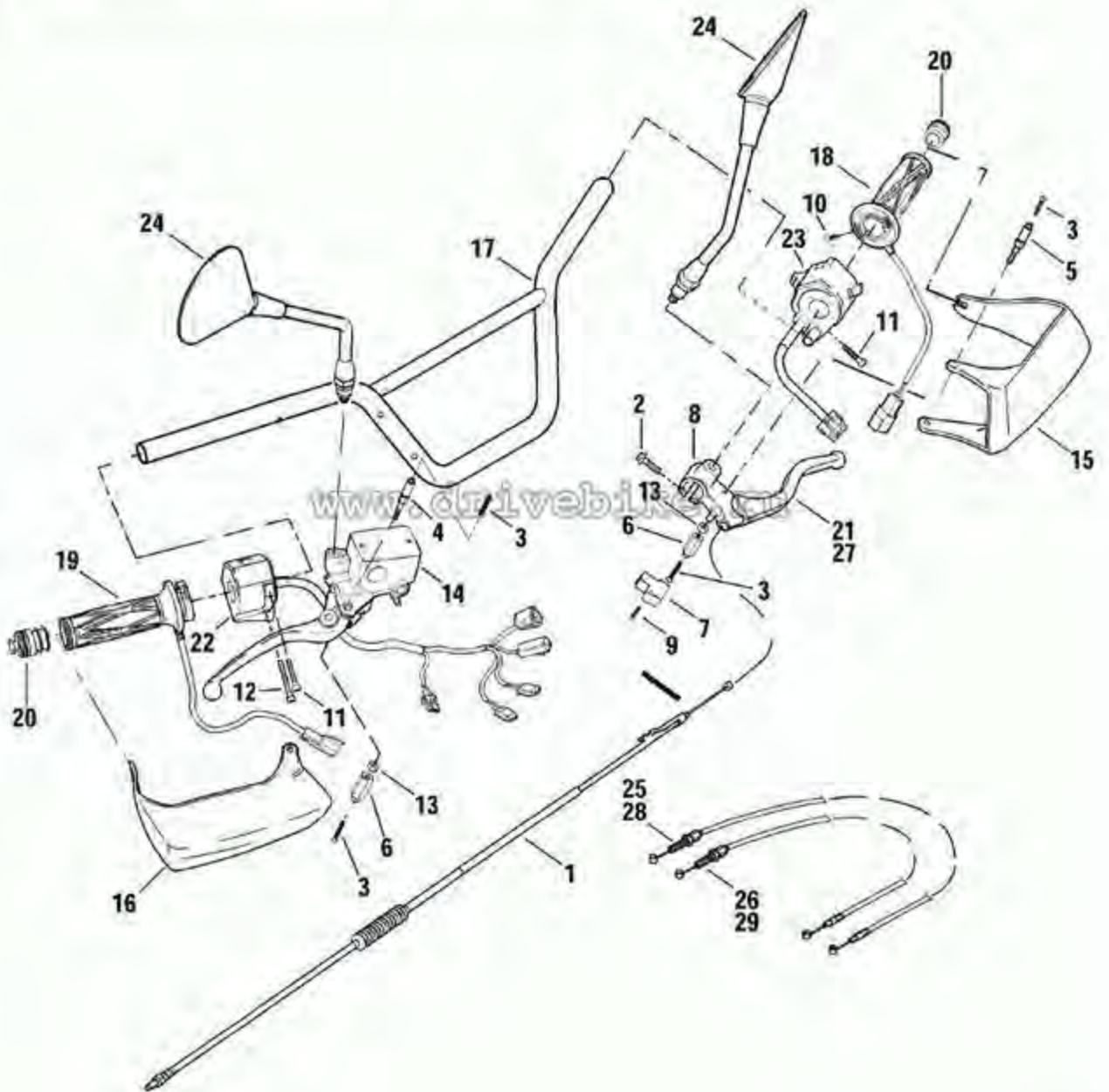




Администрация не несет ответственность за полную и достоверность этой информации.

Номер	Номер по каталогу	Название/Описание	Кол-во
1	38726-06B [+]	CLUTCH CABLE	1
	70346-84 [+]	RETAINER, harness (not illustrated)	4
2	A0622.21CBL [+]	SCREW, M5-1.25 X 22mm hex flange hd. (black chromate)	1
3	A05016.8CXVB [+]	SCREW, M5 X 16 truss hd. w/Scotch grip (black olive)	4
4	C0064.1AJ [+]	BRAKE PIVOT SHAFT	1
5	C0065.1AJ [+]	CLUTCH PIVOT SHAFT	1
6	C0066.1AJ [+]	PIVOT SHAFT RISER	2
7	C0145.T [+]	SWITCH, clutch lever	1
8	C0149.T [+]	BRACKET, clutch lever	1
9	CA0006.TA [+]	SCREW, switch mounting	1
10	CA0044.3AK [+]	SCREW, left heated handgrip	2
11	CA0052.5AA [+]	SCREW, M5 X 25 SHCS (black zinc)	3
12	CA0053.5AA [+]	SCREW, M5 X 40 SHCS (black zinc)	1
13	CD0001.T [+]	NUT, clutch lever assembly	1
14	H0507.3AJ [+]	MASTER CYLINDER ASSEMBLY, front, complete	1
	M0315.3AK [+]	FOAM TAPE, heat deflectors (not illustrated)	1
15	N0007.1AJMBP [+]	DEFLECTOR, left	1
16	N0017.1AJMBP [+]	DEFLECTOR, right	1
17	N0037.1AKBYBP [+]	HANDLEBAR (graphite grey)	1
18	N0050.5AA [+]	HEATED HAND GRIP, left	1
19	N0051.5AA [+]	HEATED HAND GRIP, right	1
20	N0053.1AJ [+]	END CAP	2
21	N0104.1AJ [+]	CLUTCH LEVER ASSEMBLY, w/ 7, 8, 9 & 27	1
22	N0158.5AA [+]	SWITCH GEAR, right, w/ CA0052.5AA & CA0053.5AA	1
23	N0159.TB [+]	SWITCH GEAR, left, w/ CA0052.5AA	2
24	N0161.01A1A [+]	MIRROR	2
25	N0307.3AK [+]	CABLE, throttle control (AUSTRALIA, CANADA, DOMESTIC, ENGLAND, EUROPE)	1
26	N0308.3AK [+]	CABLE, idle control (AUSTRALIA, CANADA, DOMESTIC, ENGLAND, EUROPE)	1
27	N1102.1AJ [+]	CLUTCH LEVER, w/ C0065.1AJ & CD0001.T	1
28	N0309.3AK [+]	CABLE, throttle control (JAPAN) - INTERNATIONAL MODELS ONLY	1
29	N0310.3AK [+]	CABLE, idle control (JAPAN) - INTERNATIONAL MODELS ONLY	1

HANDLEBARS & HAND CONTROLS

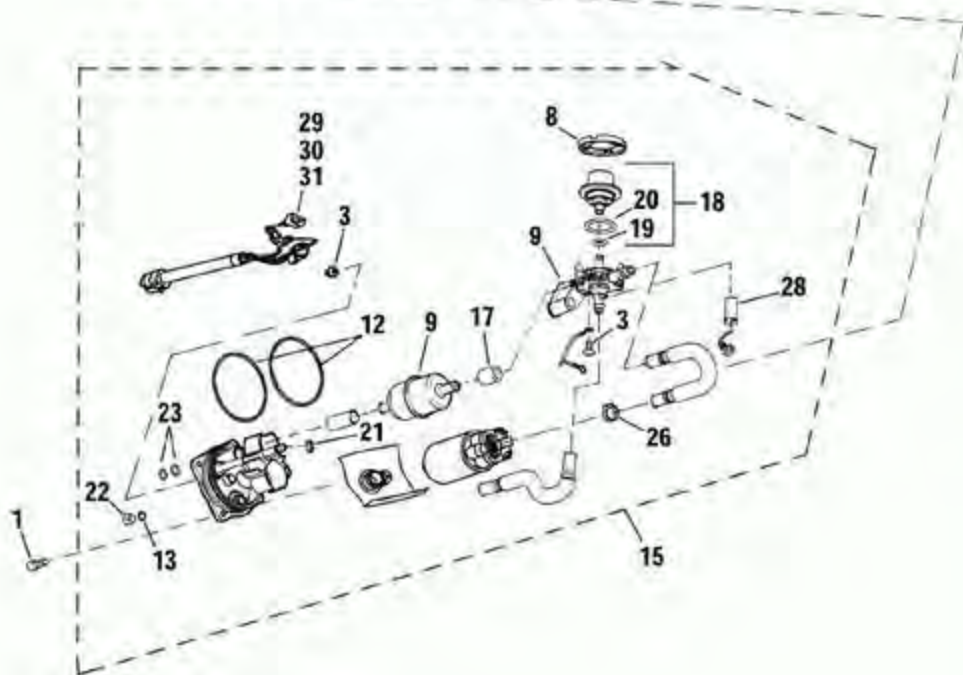
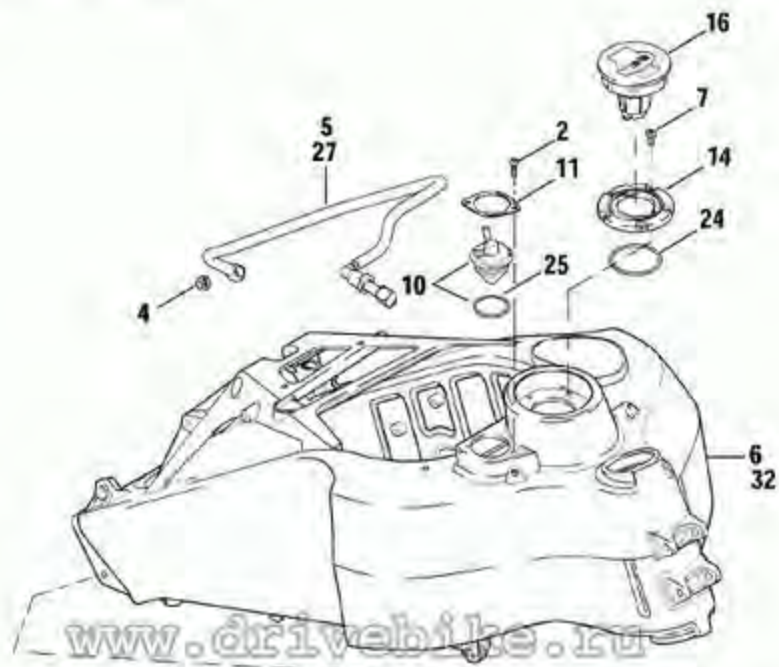



20	P0178.KA [+]	O-RING, large regulator	1
21	P0187.02A8 [+]	E-CLIPS	1
	P0194.3A8 [+]	KIT, wire assembly and screw	1
22	P1203.3A8 [+]	DRAIN PLUG, w/ o-ring	1
23	P0198.02A8 [+]	O-RING KIT, banjo stud	1
24	P0228.02A8 [+]	O-RING, fuel cap retaining ring	1
25	P0229.02A8 [+]	O-RING, fuel cell vent	1
26	P0356.3A8 [+]	CLAMP, fuel filter	1
27	P0464.02A8A [+]	FUEL LINE ASSEMBLY, w/ HS0015.02A8	1
28	P0759.KA [+]	SENSOR, low level	1
29	74114-98BK [+]	CONNECTOR, 4-way socket (black)	1
30	74154-98 [+]	LOCK, secondary, 4-way socket	1
31	74191-98 [+]	SOCKET, terminal, 16-20 AWG	4
32	L0601.3AKYBP [+]	FRAME/FUEL TANK ASSEMBLY KIT, front w/ bearing races & labels. (CANADA) Fuel pump & lines not included. See FRAME pages for more information on kit. - INTERNATIONAL MODELS ONLY	1
	L0602.3AKYBP [+]	FRAME/FUEL TANK ASSEMBLY KIT, front w/ bearing races & labels. (ENGLAND, EUROPE) Fuel pump & lines not included. See FRAME pages for more information on kit. - INTERNATIONAL MODELS ONLY	1
	L0603.1AKYBP [+]	FRAME/FUEL TANK ASSEMBLY KIT, front w/ bearing races & labels. (AUSTRALIA) Fuel pump & lines not included. See FRAME pages for more information on kit. - INTERNATIONAL MODELS ONLY	1
	L0604.2AKYBP [+]	FRAME/FUEL TANK ASSEMBLY KIT, front w/ bearing races & labels. (JAPAN) Fuel pump & lines not included. See FRAME pages for more information on kit. - INTERNATIONAL MODELS ONLY	1

Администрация не несет ответственность за полноту и достоверность этой информации.

Номер	Номер по каталогу	Название/Описание	Кол-во
1	AA0406.2CXZB [+]	SCREW, 1/4-20 X 3/4 socket hd., w/lockpatch (zinc)	4
2	AN1004.2CZ [+]	SCREW, No. 10-24 X 1/2 socket hd.	2
3	CA0027.3A8 [+]	SCREW	1
4	DA0500.8FZ [+]	NUT, 5/16-24 thin nylock (zinc)	1
5	HS0015.02A8 [+]	SLEEVE	1
6	L0600.3AKYBP [+]	FRAME/FUEL TANK ASSEMBLY KIT, front w/ bearing races & labels. (DOMESTIC) Fuel pump & lines not included. See FRAME pages for more information on kit.	1
	L0605.3AKYBP [+]	FRAME/FUEL TANK ASSEMBLY KIT, front w/ bearing races & labels. (CALIFORNIA) Fuel pump & lines not included. See FRAME pages for more information on kit.	1
7	P0002.02A8 [+]	SCREW	5
8	P0045.3A8 [+]	RING, regulator	1
	P0080.3A8 [+]	KIT, regulator housing	1
9	P0101.02A8 [+]	FUEL FILTER ASSEMBLY, in line	1
10	P0115.02A8B [+]	FUEL CELL VENT, w/ fuel cell vent o-ring	1
11	P0119.02A8A [+]	RETAINING PLATE, fuel cell vent	1
12	P0121.02A8A [+]	O-RING	2
13	P0127.02A8 [+]	O-RING, fuel pump drain plug	1
14	P0128.02A8A [+]	RETAINING RING, fuel cap	1
15	P0130.5AA [+]	FUEL PUMP ASSEMBLY	1
16	P0153.02A8 [+]	CAP, fuel tank, w/ key(s)	1
17	P0164.K [+]	SEAL, pump outlet	1
18	P0166.K [+]	REGULATOR, w/ o-rings	1
19	P0177.KA [+]	O-RING, small regulator	1

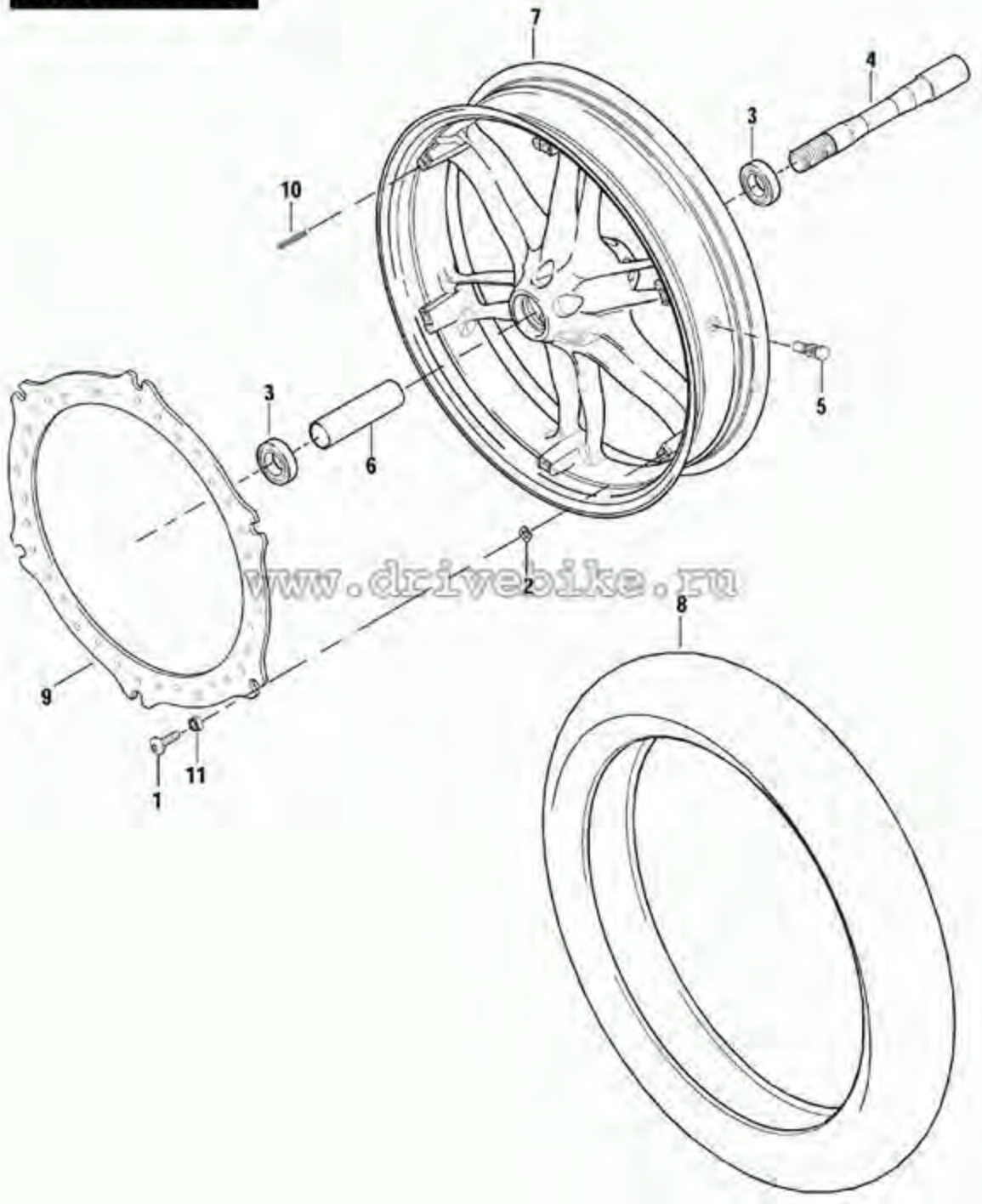
FUEL TANK & PUMP



 The administration is not responsible for the completeness and accuracy of this information.

No.	Catalog	Title / Description	No.
1	CA0014.02A8 [+]	BOLT, front rotor	8
2	CB0006.02A8 [+]	WASHER, drive bushing	8
3	E0004.02A8A [+]	BEARING	2
4	G0120.02A8B [+]	AXLE, front	1
5	G0313.02A8 [+]	VALVE STEM ASSEMBLY, w / cap	1
6	G0325.02A8 [+]	AXLE SPACER, front	1
7	G0110.1AKYBQ [+]	WHEEL ASSEMBLY, front w / bearings, center spacer & valve stem (magnesium tone)	1
8	G0150.1AJ [+]	TIRE, front	1
9	H1201.02A8A [+]	BRAKE ROTOR KIT, front w / rotor, bolts, bushings, springs & washers	1
10	H0505.02A8 [+]	SPRING, front rotor	8
11	H0506.02A8B [+]	DRIVE BUSHING, front rotor mount	8

FRONT WHEEL

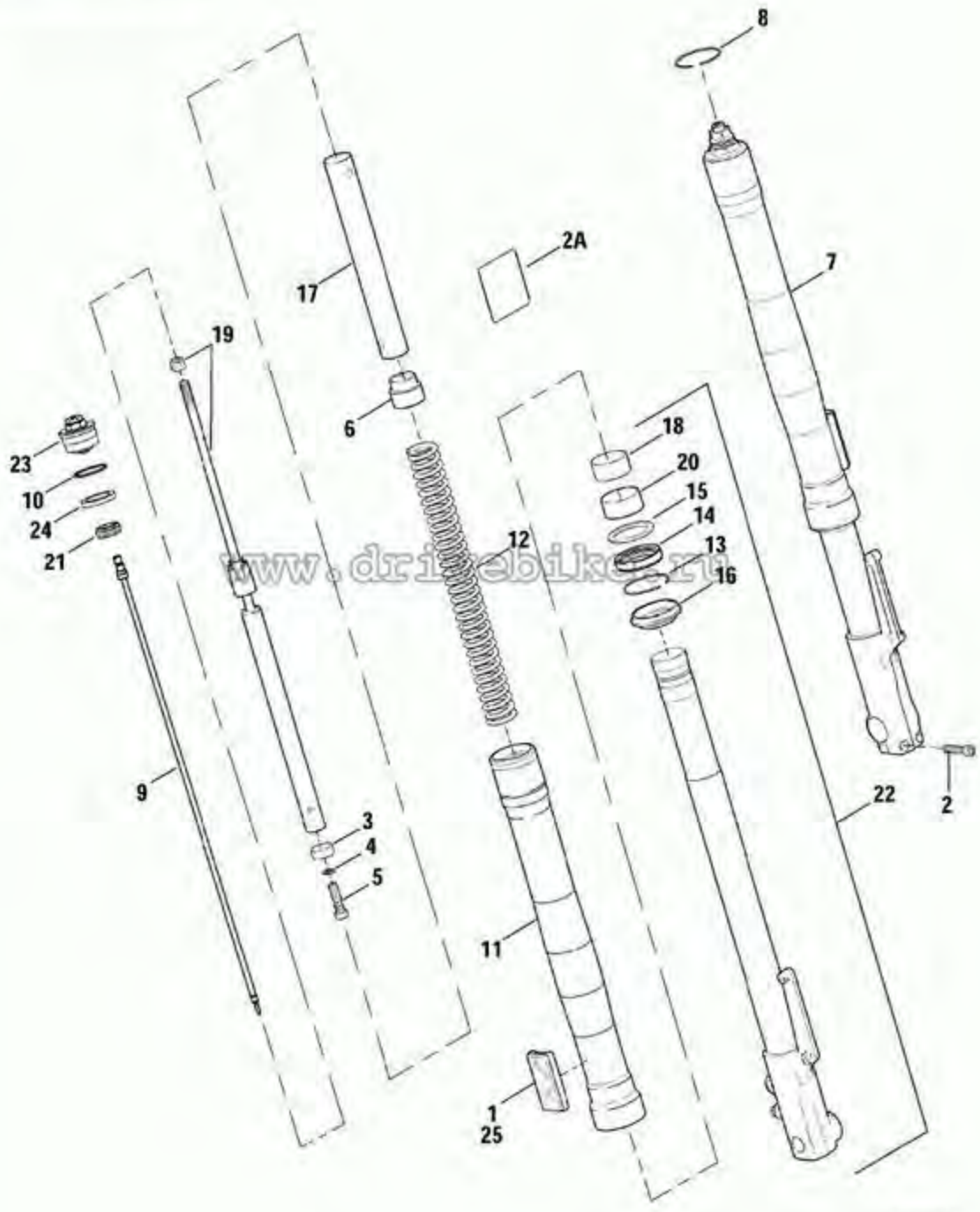





Администрация не несет ответственность за полноту и достоверность этой информации.

Номер	Номер по каталогу	Название/Описание	Кол-во
1	59256-84A [+]	REFLECTOR, amber	2
2	AA0612.2CZB [+]	BOLT, 5/16-18 X 1-1/2 socket hd. (Grade 8)	4
2A	C3009.E [+]	PAD, protective	1
3	J0114.02A8 [+]	CENTERING PLATE	2
4	J0115.02A8 [+]	WASHER, fork	2
5	J0116.02A8 [+]	BOLT, center	2
6	J8117.3AK [+]	SPRING JOINT, fork	2
7	J0121.3AK [+]	FRONT FORK ASSEMBLY, left w/ 3, 4, 5, 6, 9, 10, 11, 12, 17, 19, 21, 22, 23 & 24	1
	J0122.3AK [+]	FRONT FORK ASSEMBLY, right w/ 3, 4, 5, 6, 9, 10, 11, 12, 17, 19, 21, 22, 23 & 24	1
8	J0124.02A8 [+]	STOPPER RING	2
9	J8103.3AK [+]	PUSH ROD, fork	2
10	J8104.3AK [+]	O-RING, fork	1
11	J8107.3AK [+]	OUTER TUBE	2
12	J8113.3AK [+]	SPRING, fork	2
13	J8126.3AK [+]	OIL SEAL STOPPER RING	2
14	J8127.3AK [+]	OIL SEAL	2
15	J8128.3AK [+]	SEAL SPACER	2
16	J8130.3AK [+]	DUST SEAL	2
17	J8135.3AK [+]	SPRING COLLAR, fork	2
18	J8138.3AK [+]	SLIDE BUSHING	2
19	J8139.3AK [+]	DAMPER ASSEMBLY, includes rebound adjuster assembly, damper locknut, damper assembly	2
20	J8140.3AK [+]	GUIDE BUSHING	2
21	J8141.02A8 [+]	SLIDER PISTON	2
22	J8142.3AK [+]	SLIDER COMPONENT, left fork w/ 13, 14, 15, 16, 18 & 20	1
	J8143.3AK [+]	SLIDER COMPONENT, right fork w/ 13, 14, 15, 16, 18 & 20	1
23	J8144.3AK [+]	PRELOAD ADJUSTMENT ASSEMBLY	1
24	J8146.3AK [+]	SEAT, rubber	2
25	M0106.02A8 [+]	REFLECTOR ASSEMBLY, amber	2

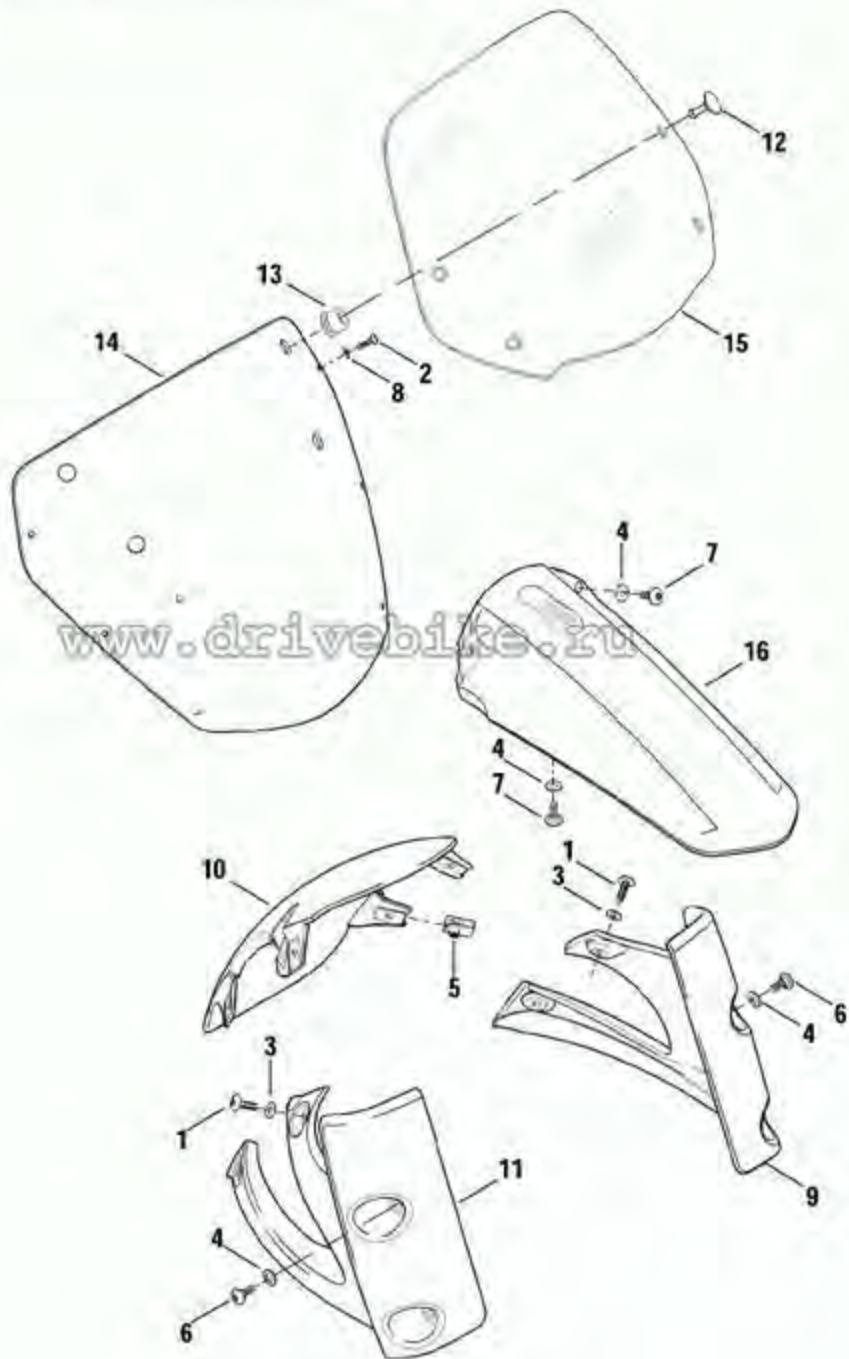
FRONT FORK



 Администрация не несет ответственность за полную и достоверность этой информации.

Номер	Номер по каталогу	Название/Описание	Кол-во
1	AA0408.11CXZB [+]	SCREW, 1/4-20 X 3/4 TORX truss hd., w/Scootoh rip (bright zinc)	4
2	AN1005.3FSS [+]	SCREW, No. 10-32 X 5/8 button hd, (stainless)	8
3	BA0409.6 [+]	WASHER, 1/4 X 9/16 nylon	8
4	BA0509.6 [+]	WASHER, 5/16 X 9/16 nylon	16
	CB0009.02A8 [+]	WASHER (not illustrated)	8
5	7900 [+]	LOCKNUT, 5/8-18	4
6	CA0012.02A8 [+]	SCREW	9
7	CA0018.02A8 [+]	SCREW, shoulder (stainless steel)	7
8	CB0008.02A8 [+]	WASHER	8
9	M2126.1AKMBE [+]	FENDER, front lower right	1
10	M1125.3AKMBP [+]	FENDER, front lower center	1
11	M2124.1AKMBE [+]	FENDER, front lower left	1
12	M0230.1AKB [+]	PIN, mount	4
13	M0231.1AKG [+]	GROMMET, mount	4
14	M1601.1AKMBW [+]	FLYSCREEN KIT, w/ decal (barricade orange)	1
	M1601.1AKMW [+]	FLYSCREEN KIT, w/decal (midnight black)	1
	M1601.3AKMCA [+]	FLYSCREEN KIT, w/decal (thrust blue)	1
15	M0600.1AKMBG [+]	WINDSCREEN, clear	1
16	M1662.1AKMBP [+]	FENDER, front upper	1

FRONT FENDER & WINDSCREEN



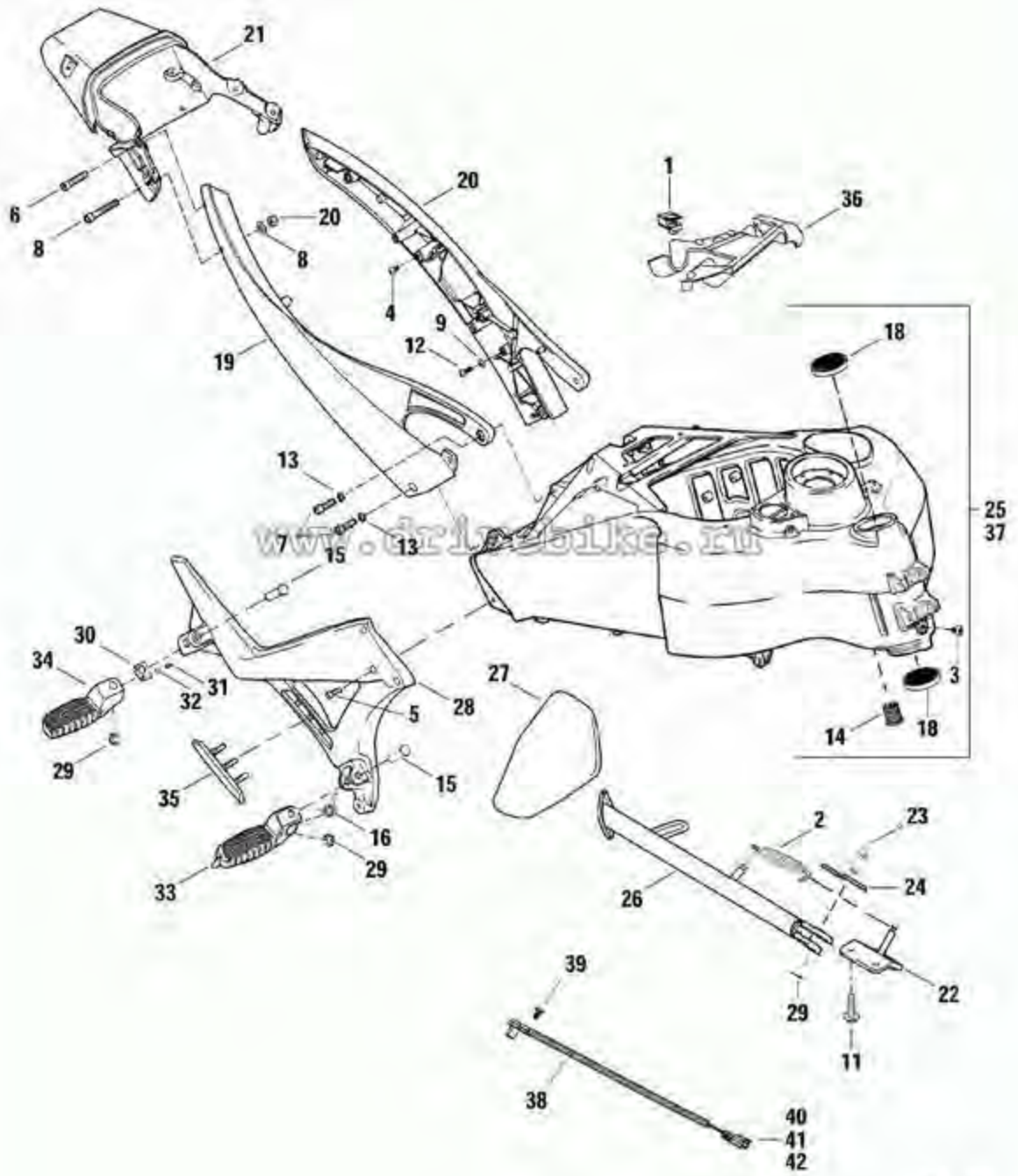
 Администрация не несет ответственность за полноту и достоверность этой информации.


Номер	Номер по каталогу	Название/Описание	Кол-во
1	AA0408.11CZB [+]	SCREW, 1/4-20 X 3/4 TORX truss hd. (bright zinc)	1
2	AA0808.2CXZB [+]	SCREW, 3/8-16 X 1.0 socket hd. (bright zinc)	2
3	C0064.1AJ [+]	BRAKE PIVOT SHAFT	1
4	CD0013.9 [+]	JAM NUT	1
5	CA0200.R [+]	SCREW, front master cylinder cover	2
6	DA0400.2CZ [+]	LOCKNUT, 1/4-28 X 20 nylock (zinc)	1
7	H0020.02A8 [+]	PISTON SET	1
8	H0021.02A8 [+]	PAD SPRING, caliper	1
9	H0022.F [+]	FITTING, brake bleeder, w/ cap	1
10	H0031.02A8 [+]	PIN HANGER SET, caliper	1
11	H0032.02A8 [+]	STOPPER, front caliper	1
12	H0035.9 [+]	DIAPHRAGM COVER, front master cylinder	1
13	H0054.9 [+]	CIRCLIP, brake piston	1
14	H0055.9 [+]	BOOT, brake piston	1
15	H0110.02A8 [+]	BRAKE CALIPER ASSEMBLY, front, w/ 7, 8, 9, 10, 11 & 16	1
16	H0300.02A8 [+]	BRAKE PAD	1
17	H0405.9B [+]	BANJO BOLT, master cylinder	2
18	H0412.01A0 [+]	WASHER	4
19	H1531.1AK [+]	BRAKE LINE ASSEMBLY, front, w/ 17 & 18	1
20	H0507.3AJ [+]	MASTER CYLINDER ASSEMBLY, front, complete, w/ 3, 4, 5, 12, 13, 14, 23, 24, 25 & 26	1
	N0210.R [+]	CAP SET (not illustrated)	1
21	N0220.F [+]	REPAIR KIT, front master cylinder	1
22	N0259.9 [+]	CLAMP, front master cylinder	1
23	N1202.1AJ [+]	LEVER, front brake, w/ C0064.1AJ & CD0013.9	1
24	Y0820.9 [+]	SWITCH KIT, brake lever	1
25	H1507.4AJ [+]	MASTER CYLINDER ASSEMBLY, complete, w/ 13, 14, 23, 23, 24, 25, 26 & label (JAPAN) - INTERNATIONAL MODELS ONLY	1

	N0502.1AK [+]	FOOTPEG, left rider (not illustrated)	1
	N0526.1AKYBP [+]	FOOTPEG MOUNT ASSEMBLY, left (graphite grey) (not illustrated)	1
	N0527.1AKYBP [+]	FOOTPEG MOUNT ASSEMBLY, right (graphite grey) (not illustrated)	1
34	N0553.1AK [+]	FOOTPEG, right passenger	1
	N0552.1AK [+]	FOOTPEG, left passenger (not illustrated)	1
35	N0554.1AK [+]	GUARD, heel	1
	Y1000.2AK [+]	BRACKET, wire harness guide (not illustrated)	1
36	Y1010.5AA [+]	WIRE GUIDE, upper	1
37	L0801.3AKYBP [+]	FRAME/FUEL TANK ASSEMBLY KIT, front w/ bearing races & labels (CANADA) - INTERNATIONAL MODELS ONLY	1
	L0802.3AKYBP [+]	FRAME/FUEL TANK ASSEMBLY KIT, front w/ bearing races & labels (ENGLAND, EUROPE) - INTERNATIONAL MODELS ONLY	1
	L0803.1AKYBP [+]	FRAME/FUEL TANK ASSEMBLY KIT, front w/ bearing races & labels (AUSTRALIA) - INTERNATIONAL MODELS ONLY	1
	L0804.2AKYBP [+]	FRAME/FUEL TANK ASSEMBLY KIT, front w/ bearing races & labels (JAPAN) - INTERNATIONAL MODELS ONLY	1
	N0097.3AKYBP [+]	BRACKET, left footpeg mount, rider w/ label (AUSTRALIA) (graphite grey) (not illustrated) - INTERNATIONAL MODELS ONLY	1
	N0098.1AKYBP [+]	BRACKET, left footpeg mount, rider w/ label (JAPAN) (graphite grey) (not illustrated) - INTERNATIONAL MODELS ONLY	1
38	Y0800.4AAB [+]	SWITCH, sidestand (ENGLAND, EUROPE) - INTERNATIONAL MODELS ONLY	1
39	AA0404.11CXZB [+]	SCREW, 1/4-20 X 1/2 TORX truss hd., w/Scootch grip (bright zinc)	1
40	74103-98BK [+]	CONNECTOR (ENGLAND, EUROPE) - INTERNATIONAL MODELS ONLY	1
41	74143-98 [+]	LOCK (ENGLAND, EUROPE) - INTERNATIONAL MODELS ONLY	1
42	74191-98 [+]	SOCKET (ENGLAND, EUROPE) - INTERNATIONAL MODELS ONLY	1

Номер	Номер по каталогу	Название/Описание	Кол-во
1	7900 [+]	LOCKNUT, 5/8-18	1
	11604 [+]	RIVNUT, scoop fasteners (not illustrated)	1
2	50005-85A [+]	SPRING, sidestand	1
3	AA0404.11CZB [+]	SCREW, 1/4-20 X 1/2 TORX truss hd.(bright zinc)	1
4	AA0404.11CXZB [+]	SCREW, 1/4-20 X 1/2 TORX truss hd.,w/Scootch grip (bright zinc)	5
5	AA0408.2CZB [+]	SCREW, 1/4-20 X 3/4 socket hd. (zinc)	6
6	AA0512.2CZB [+]	BOLT, 5/16-18 X 1-1/2 socket hd.(Grade 8)	2
7	AA0508.2CXZB [+]	SCREW, 5/16-18 X 1.0 socket hd.,w/Scootch grip (bright zinc)	4
8	AA0516.2CZB [+]	BOLT, 5/16-18 X 2 socket hd. (zinc)	2
9	BA0509.6 [+]	WASHER, 5/16 X 9/16 nylon	2
10	BA0511.2Z [+]	WASHER, 5/16 X 11/16 flat, hardened (zinc)	4
11	CA0018.02A8 [+]	BOLT	1
12	CA0018.02A8 [+]	SCREW, shoulder (stainless steel)	2
13	CB0002.9A7 [+]	WASHER	4
14	C0028.02A8A [+]	THREAD INSERT	1
	C0095.4A8 [+]	BUMPER SET, baseplate (not illustrated)	1
15	C0235.02A8 [+]	PIN, footpeg	2
16	C0249.02A8 [+]	SPRING, right rider footpeg	1
	C0250.02A8 [+]	SPRING, left rider footpeg (not illustrated)	1
17	DA0500.2CZ [+]	LOCKNUT, 5/16-18 nylock (zinc)	4
18	E0002.02A8A [+]	BEARING	2
19	L0009.1AKYBQ [+]	TAIL SECTION, right	1
20	L0010.1AKYBQ [+]	TAIL SECTION, left	1
21	L0046.1AKYBQ [+]	TAIL LOOP	1
22	L0152.5A8 [+]	BRACKET ASSEMBLY, sidestand	1
23	L0174.4A8 [+]	PIVOT PIN, sidestand	1
24	L0203.1AA [+]	PLATE, sidestand spring extension	1
25	L0600.3AKYBF [+]	FRAME/FUEL TANK ASSEMBLY KIT, front w/ bearing races & labels (DOMESTIC) (See FUEL TANK & PUMP pages for more information on kit)	1
	L0605.3AKYBF [+]	FRAME/FUEL TANK ASSEMBLY KIT, front w/ bearing races & labels (CALIFORNIA) (See FUEL TANK & PUMP pages for more information on kit)	1
26	L0167.2AK [+]	SIDESTAND LEG ASSEMBLY, w/ pin, leg, foot pad, clevis & kick tab	1
27	M0028.1AKA [+]	FRAME PUCK, left frame	1
	M0029.1AKA [+]	FRAME PUCK, right frame	1
28	N0401.1AKAYBF [+]	BRACKET, right bracket mount	1
	N0402.1AKAYBF [+]	BRACKET, left bracket mount	1
29	N0425.02A8 [+]	CLIP, footpeg	4
30	N0427.02A8A [+]	DETENT PLATE, passenger	2
31	N0428.02A8 [+]	SPRING, passenger footpeg	2
32	N0429.02A8 [+]	BALL, passenger	2
33	N0503.1AK [+]	FOOTPEG, right rider	1

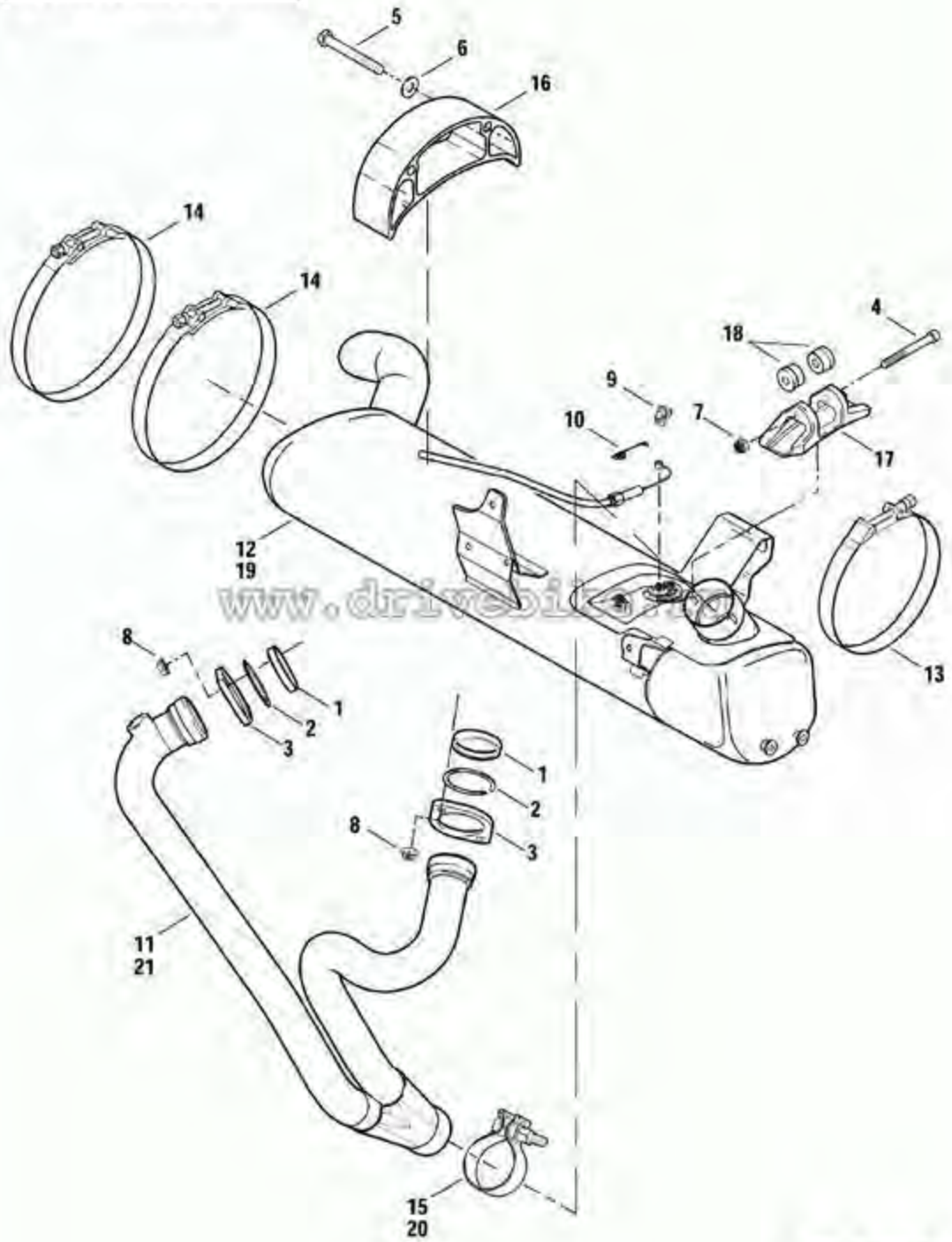
FRAME



 Администрация не несет ответственность за полноту и достоверность этой информации.

Номер	Номер по каталогу	Название/Описание	Кол-во
	65184-02 [+]	FLANGE, header (not illustrated)	2
1	65324-83A [+]	GASKET, exhaust port	2
2	65325-83A [+]	RETAINING RING, exhaust	2
3	65326-83 [+]	CLAMP, exhaust ring	2
4	AA0518.2CZB [+]	SCREW, 5/16-18 X 2-1/4 socket hd.	1
5	AA0624.1CZB [+]	SCREW, 3/8-16 X 3 hex hd. (bright zinc)	2
6	BA0613.2Z [+]	WASHER, 3/8 X 13/16 thick, hardened (zinc)	2
7	DA0500.10CZ [+]	LOCKNUT, 5/16-18 spring lock (zinc)	1
8	DA0500.12FZ [+]	LOCKNUT, 5/16-24 (zinc)	4
9	S0096.1AA [+]	CLIP, muffler cable	1
10	S0097.1AAA [+]	SPRING, shaft retention, muffler	1
11	S0101.1AAA [+]	HEADER (AUSTRALIA, CALIFORNIA, CANADA, DOMESTIC, JAPAN)	1
12	S0110.1AS [+]	MUFFLER, interactive exhaust (AUSTRALIA, CALIFORNIA, CANADA, DOMESTIC)	1
13	S0116.02A8 [+]	MUFFLER STRAP, front	1
14	S0123.02A8A [+]	MUFFLER STRAP, rear	2
15	S0127.8A [+]	CLAMP, 2 in. torca (AUSTRALIA, CALIFORNIA, CANADA, DOMESTIC, JAPAN)	1
16	S0133.02A8 [+]	MUFFLER BRACKET, rear	1
17	S0135.02A8A [+]	MUFFLER MOUNT, front	1
18	S0136.02A8 [+]	BUSHING, front muffler mount	2
19	S0144.1AS [+]	MUFFLER, interactive exhaust (JAPAN), w/ heat shield - INTERNATIONAL MODELS ONLY	1
	S0111.3AK [+]	MUFFLER, interactive exhaust (ENGLAND, EUROPE) - INTERNATIONAL MODELS ONLY	1
20	S0127.G [+]	CLAMP, 2 in. torca (ENGLAND, EUROPE) - INTERNATIONAL MODELS ONLY	1
21	S0101.5AA [+]	HEADER (ENGLAND, EUROPE) - INTERNATIONAL MODELS ONLY	1

EXHAUST SYSTEM

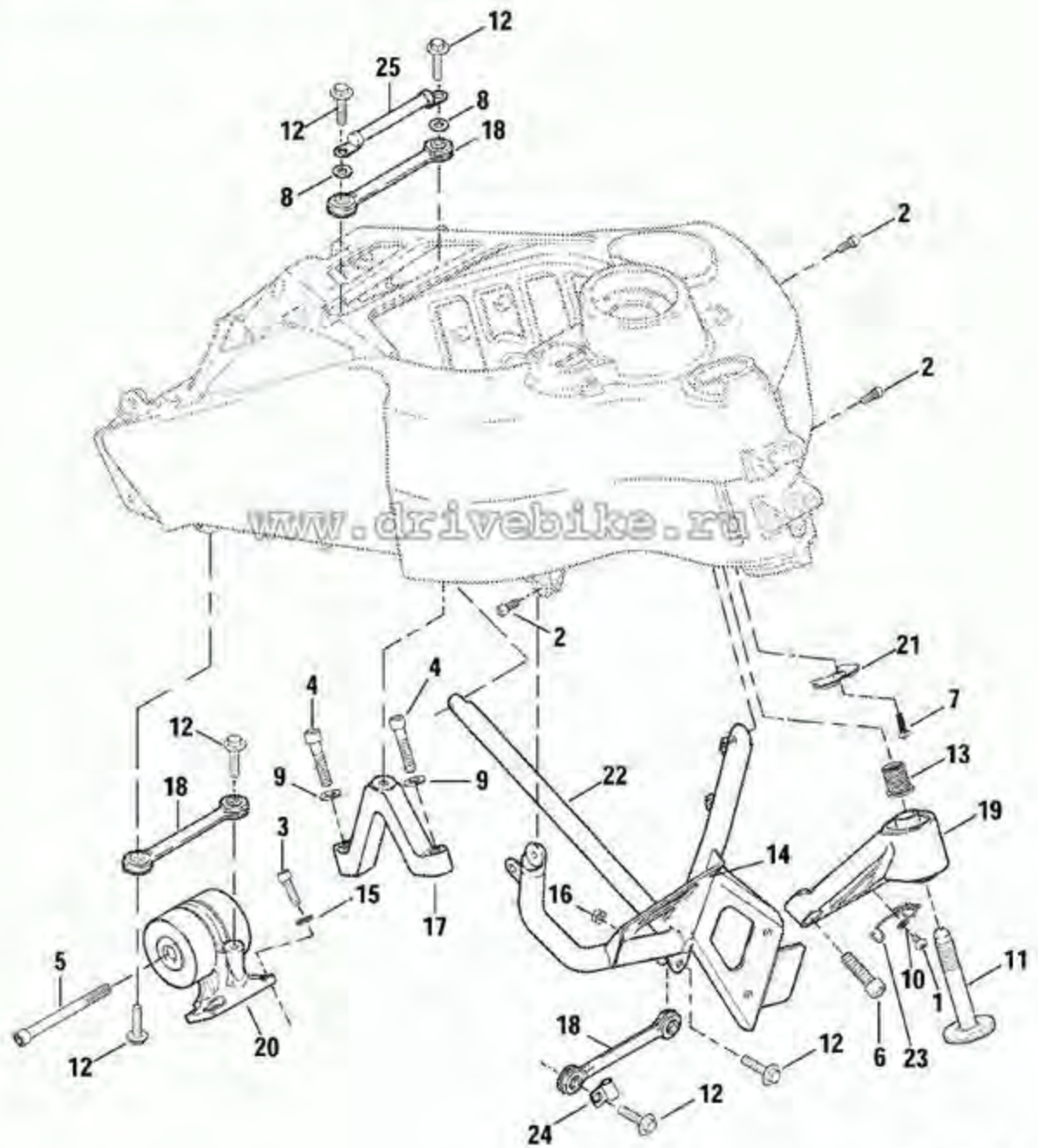


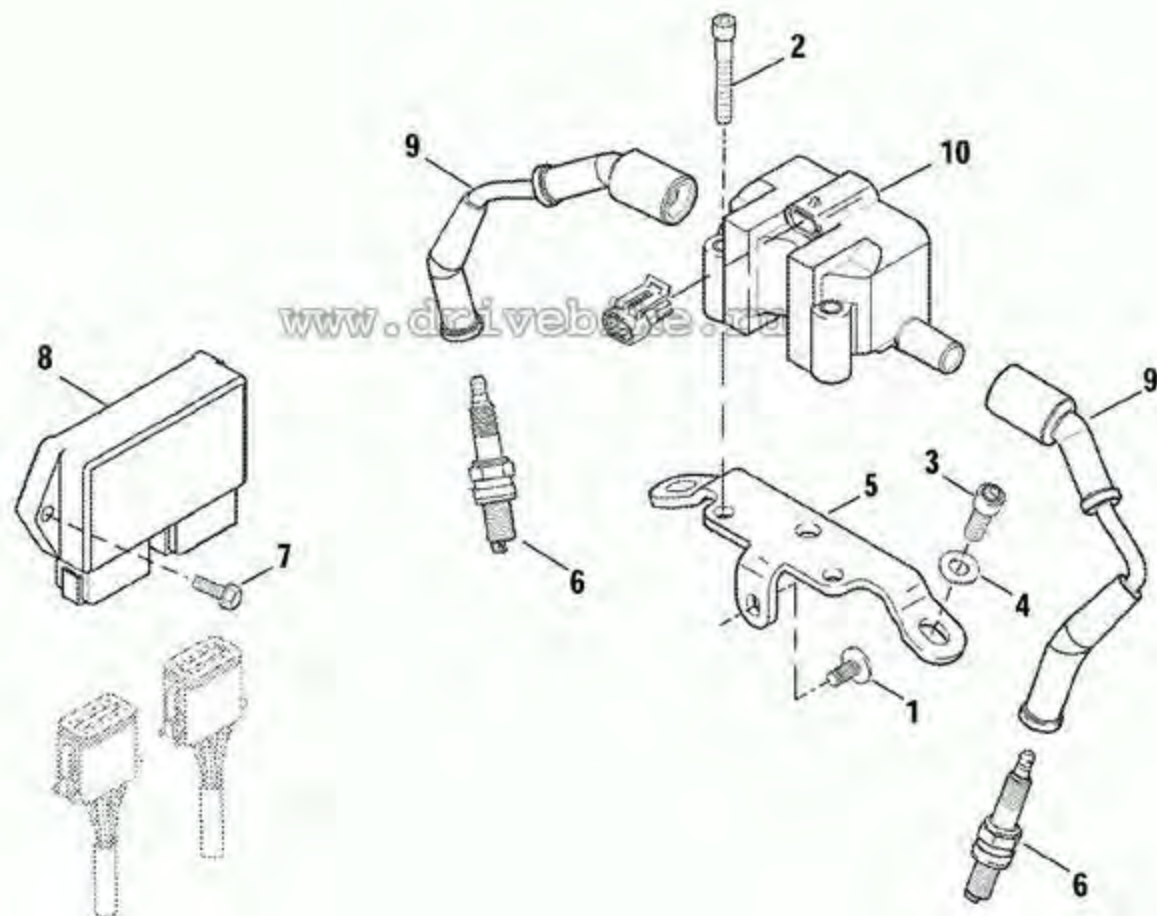


Администрация не несет ответственность за полноту и достоверность этой информации.

Номер	Номер по каталогу	Название/Описание	Кол-во
1	AA0404.11CXZB [+]	SCREW, 1/4-20 X 1/2 TORX truss hd., w/Scootch grip (bright zinc)	1
2	AA0405.2CXZB [+]	SCREW, 1/4-20 X 5/8 socket hd., w/Scootch grip (zinc)	3
3	AA0508.2CZB [+]	BOLT, 5/16-18 1 socket hd. (bright zinc)	4
4	AA0815.2CZB [+]	SCREW, 3/8-16 X 1-7/8 socket hd. (bright zinc)	2
5	AA0834.2CZB [+]	SCREW, 3/8-16 X 4-1/4 socket hd. (zinc)	1
6	AA0712.2CZB [+]	SCREW, 7/16-14 X 1-1/2 socket hd. (bright zinc)	2
7	AN0805.5CSS [+]	SCREW, 8-32 X 5/8 socket flat countersink hd. (stainless)	1
8	BA0511.2Z [+]	WASHER, 5/16 X 11/16 flat, hardened (zinc)	2
9	BA0813.2Z [+]	WASHER, 3/8 X 13/16 thick, hardened (zinc)	2
10	B0813.1BL [+]	WASHER, 8mm X 13mm (black)	1
11	CA0013.02A8 [+]	BOLT, front isolator	1
12	CA0015.02A8 [+]	BOLT, flange head	6
13	C0028.02A8A [+]	THREAD INSERT	1
14	C0089.4A8 [+]	INSERT	3
15	CB0013.02A8 [+]	WASHER	4
16	DA0500.11CZ [+]	LOCKNUT, 5/16-18 clear flexlock (zinc)	1
17	L0160.02A8A [+]	MOUNT, center tie bar	1
18	L0500.02A8 [+]	TIE BAR ASSEMBLY	3
19	L1501.02A8 [+]	ISOLATOR ASSEMBLY, front	1
20	L0502.02A8 [+]	ISOLATOR ASSEMBLY, rear	1
21	L0506.02A8 [+]	SNUBBER, front isolator upper	1
22	L0511.5A8YT [+]	W BRACKET ASSEMBLY (villian black)	1
23	N0012.1AA [+]	WIREFORM, clutch cable	1
24	N0110.8 [+]	CLAMP, clutch cable	1
25	Y0307.02A8 [+]	STRAP, ground	1

ENGINE MOUNTS





www.drivebike.ru

i Администрация не несет ответственность за полноту и достоверность этой информации.

Номер	Номер по каталогу	Название/Описание	Кол-во
1	2445 [+]	SCREW, 1/4-20 X 9/16 button hd.	1
2	3480A [+]	SCREW, 1/4-20 X 1-3/4 knurled hd. (Grade 8)	2
3	4748 [+]	SCREW, 3/8-16 X 1-1/8 socket hd. (Grade 8)	2
4	6787 [+]	WASHER, 7/16 X 13/16 X 5/64 flat	2
5	16357-02A [+]	MOUNT, cylinder brace/throttle body	1
6	27794-08 [+]	SPARK PLUG, 10R12X	2
	70345-84 [+]	RETAINER, wire harness (not illustrated)	1
7	AA0406.21CZB [+]	SCREW, 1/4-20 X 3/4 hex flange hd. (bright zinc)	1
	AA0410.2CZB [+]	SCREW, 1/4-20 X 1-1/4 socket hd.	1
	N0903.1AK [+]	TRAVEL LIMITER (not illustrated)	1
8	Y0152.1AM [+]	ECM	1
9	Y0204.02A8C [+]	WIRE, spark plug	2
10	Y0300.02A8 [+]	IGNITION COIL	1

Buell



www.drivebike.ru

1



4




2



5

www.drivebike.ru

 The administration is not responsible for the completeness and accuracy of this information.

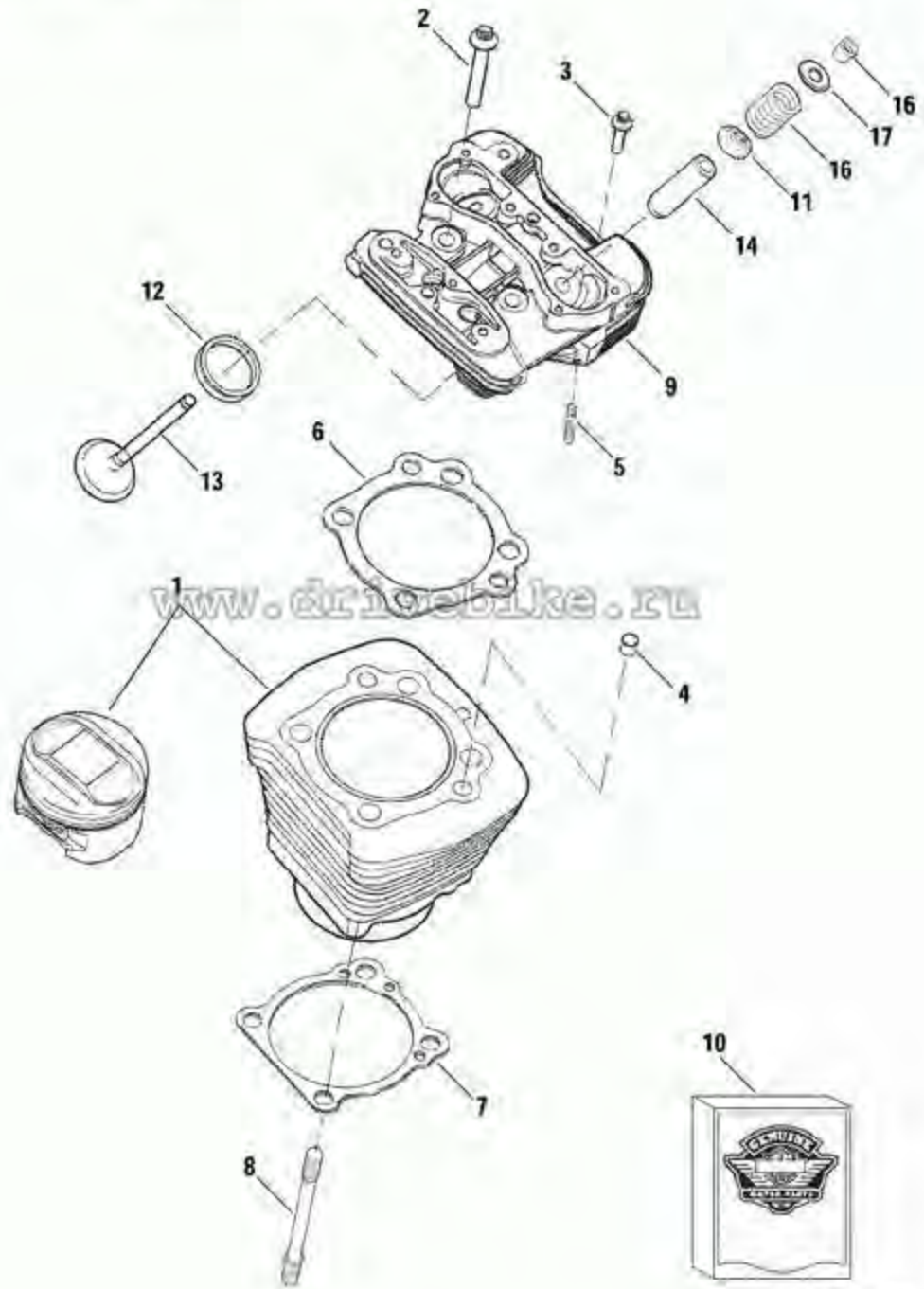
No.	Catalog	Title / Description	No.
1	M0675.5AC [H]	GRAPHIC, handlebar clamp	1
2	M0724.1AK [H]	DECAL, flyscreen & tail sections	1
3	M0725.2AK [H]	GRAPHIC, air box cover	1
4	N0056.1AK [H]	GRAPHIC, tail rack	1
5	T0120.5AA [H]	GRAPHIC, oil pump cover	1



Администрация не несет ответственность за полноту и достоверность этой информации.

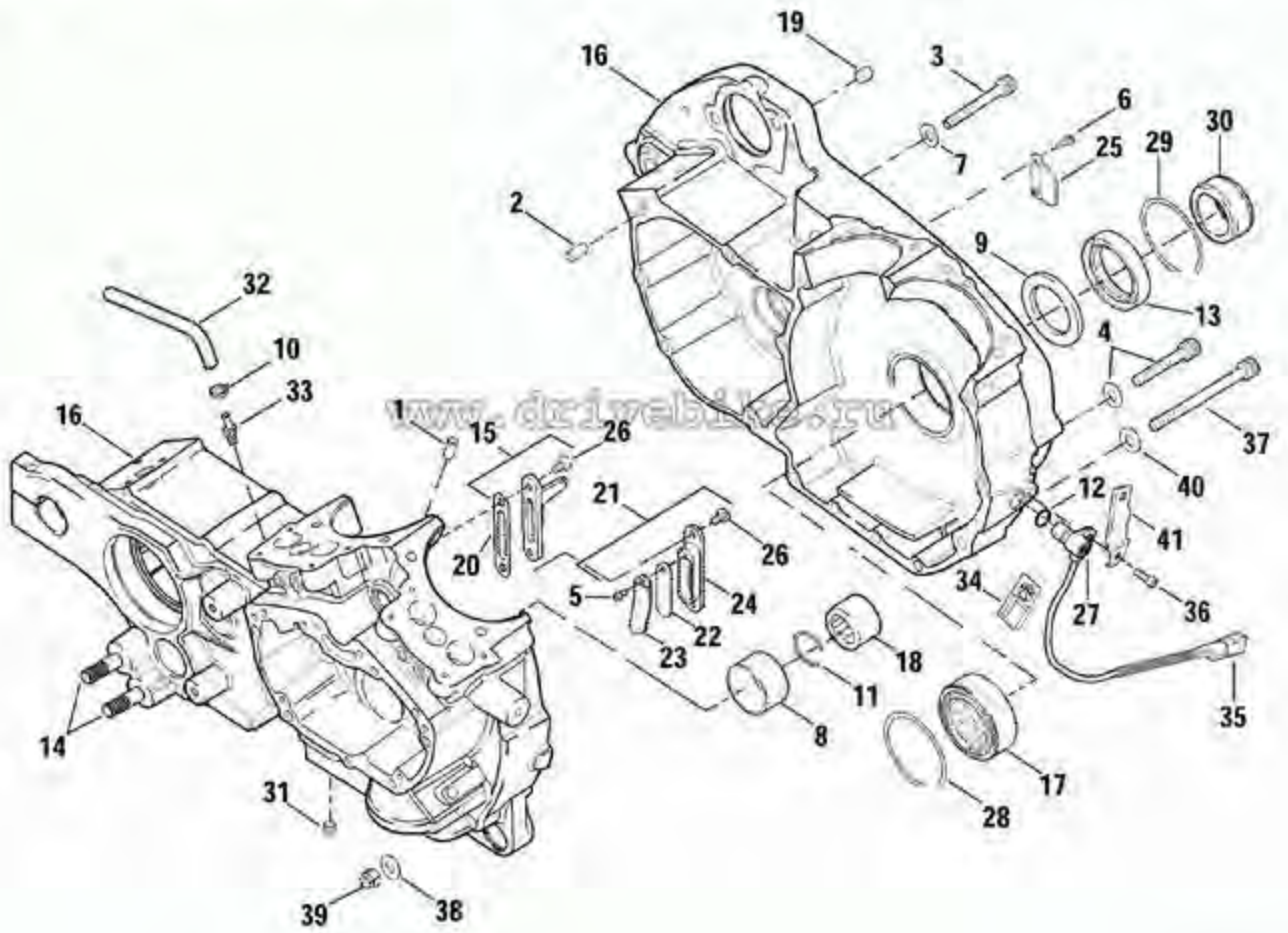
Номер	Номер по каталогу	Название/Описание	Кол-во
	19505-08 [+]	ENGINE ASSEMBLY, w/o front isolator mount attached (not illustrated)	1
1	16468-04A [+]	CYLINDER, w/ piston & rings	1
2	16478-85A [+]	SCREW, internal thread	4
3	16480-92A [+]	SCREW, internal thread (chrome)	4
4	16573-83A [+]	INSERT, cylinder stud	4
5	16715-83 [+]	STUD, exhaust port	4
6	16770-84E [+]	GASKET, cylinder head	2
7	16774-86E [+]	GASKET, cylinder base	2
8	16832-86C [+]	STUD, cylinder base	8
9	16872-07A [+]	HEAD ASSEMBLY, front cylinder - w/ valve guides & seats	1
	16875-07A [+]	HEAD ASSEMBLY, rear cylinder - w/ valve guides & seats	1
10	17058-02D [+]	GASKET KIT, engine overhaul	1
	17059-02B [+]	GASKET KIT, top overhaul	1
11	18094-02A [+]	COLLAR/SEAL, valve stem	4
12	18020-07 [+]	SEAT, intake valve	2
	18011-80 [+]	SEAT, exhaust valve	2
13	18890-02 [+]	VALVE, intake	2
	18891-02 [+]	VALVE, exhaust	2
14	16461-02 [+]	VALVE GUIDE, intake & exhaust	4
15	18260-02 [+]	RETAINER, valve collar	8
16	18245-02 [+]	SPRING, valve	4
17	18258-02 [+]	COLLAR, valve spring - upper	4

CYLINDER HEAD & VALVES



Номер	Номер по каталогу	Название/Описание	Кол-во
1	215 [+]	DOWEL PIN	2
2	358 [+]	DOWEL PIN	4
3	879A [+]	SCREW, 5/16-18 X 3-1/2 knurled hd. (Grade 8)	5
4	1028 [+]	SCREW, 5/16-18 X 2-1/2 SEMS socket hd., w/lockpatch	9
5	1044 [+]	SCREW, No. 4-40 X 1/4 socket hd.	1
6	4091 [+]	SCREW, No. 10-24 X 1/2 hex hd., w/washer, self-tapping (zinc)	2
7	6314W [+]	WASHER, 21/64 X 9/16 X 1/8 (zinc)	5
8	8881 [+]	BEARING RACE	1
9	8973 [+]	WASHER, 1-1/4 X 1-53/64 X 9/64	1
10	10080 [+]	CLAMP, hose	1
11	11177A [+]	RETAINING RING	1
12	11289A [+]	O-RING	1
13	12068 [+]	OIL SEAL	1
14	18899-02 [+]	STUD, tap end	2
15	22267-07 [+]	OIL JET ASSEMBLY, complete	2
16	24439-08 [+]	CRANKCASE SET, w/ bushings & bearings (silver)	1
17	24605-07 [+]	BEARING	1
18	24647-87 [+]	BEARING, gear shaft (blue)	1
	24650-87 [+]	BEARING, gear shaft (red)	1
	24659-87 [+]	BEARING, gear shaft (white/gray)	1
	24660-87 [+]	BEARING, gear shaft (green)	1
19	24754-75A [+]	DOWEL PIN	2
20	28838-00Y [+]	GASKET, oil jet	1
21	28921-02 [+]	REED VALVE ASSEMBLY	1
22	28922-02 [+]	VALVE, reed	1
23	28923-02 [+]	STOP, reed valve	1
24	28924-02 [+]	REED BLOCK	1
25	29950-07 [+]	COVER, stator wires	1
26	32617-00Y [+]	SCREW, self-tapping	6
27	32850-08 [+]	SENSOR, crank position w/ 11289A, 72199-04, 94-98	4
28	35114-02 [+]	RING, retaining	1
29	35118-03 [+]	RING, retaining	1
30	40254-02 [+]	SPACER, sprocket shaft	1
31	45830-48 [+]	PLUG	1
32	62352-94B [+]	HOSE, preformed	1
33	63533-41A [+]	FITTING, connector - vent	1
34	72199-94 [+]	CONNECTOR	1
35	74194-98 [+]	TERMINAL	2
36	AA0406.2CXZB [+]	SCREW, 1/4-20 X 3/4 socket hd., w/lockpatch (zinc)	1
37	AA0636.2CZ [+]	SCREW, 3/8-16 X 4-1/2 socket hd. (zinc)	1
38	BA0613.2Z [+]	WASHER, 3/8 X 13/16 thick, hardened (zinc)	1
	C0144.T [+]	CLAMP, cable clutch (not illustrated)	1
39	DA0600.11CZ [+]	LOCKNUT, 3/8-16 thin (zinc)	1
40	L0178.K [+]	WASHER	1
41	Y1008.5AA [+]	BRACKET	1

CRANKCASE & GEARCASE

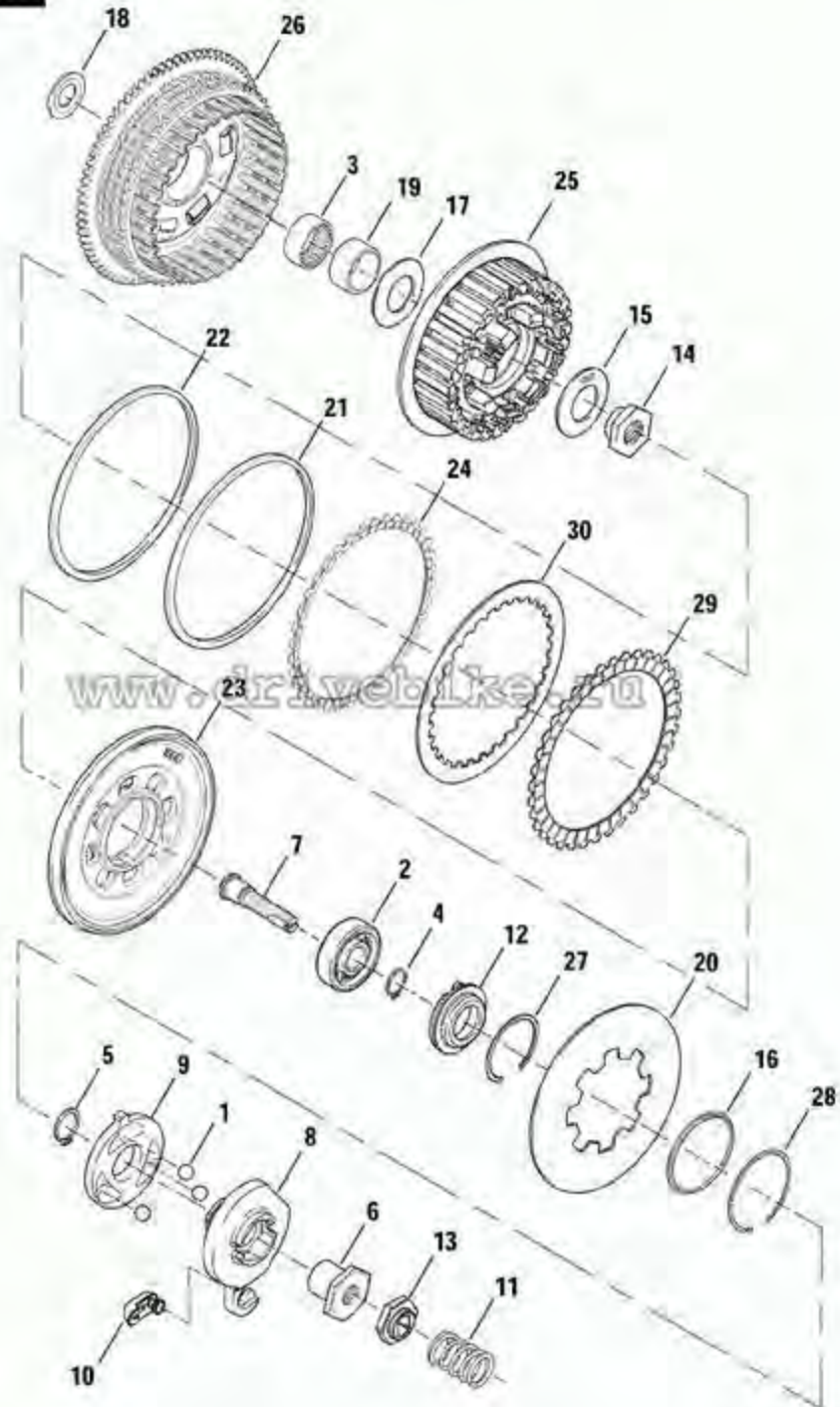


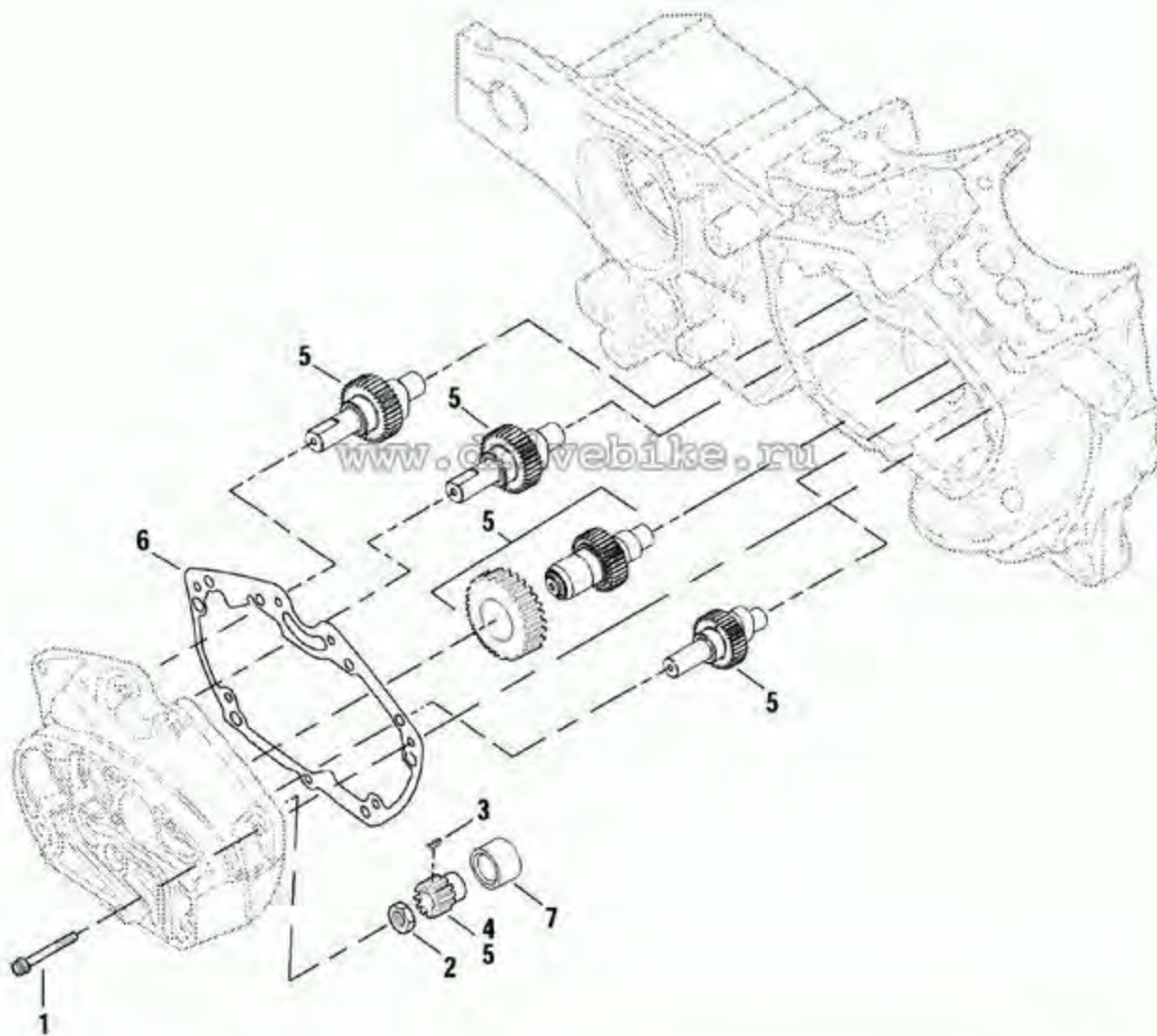


Администрация не несет ответственность за полноту и достоверность этой информации.


Номер	Номер по каталогу	Название/Описание	Кол-во
1	8873 [+]	BALL	3
2	8885 [+]	BALL BEARING	1
3	9214 [+]	NEEDLE BEARING	1
4	11046 [+]	RETAINING RING	1
5	11250 [+]	RETAINING RING	1
6	11730A [+]	NUT	1
7	11765Y [+]	ADJUSTMENT SCREW	1
8	25409-94B [+]	RAMP, outer	1
9	25453-87A [+]	RAMP, inner	1
10	34920-88A [+]	COUPLING, clutch cable	1
11	36715-94 [+]	SPRING, clutch adjustment	1
12	36731-91 [+]	RELEASE PLATE ASSEMBLY, w/ 8885	1
13	36802-84B [+]	LOCKPLATE, well type	1
14	37495-91 [+]	NUT, main shaft	1
15	37870-91 [+]	SPRING WASHER	1
16	37872-90 [+]	SEAT, spring - inner	1
17	37890-02 [+]	THRUSTWASHER, inner	1
18	37891-02 [+]	THRUSTWASHER, outer	1
19	37892-02 [+]	INNER RACE, needle bearing	1
20	37934-06 [+]	SPRING, clutch	1
21	37894-02 [+]	SPRING, damper	1
22	37895-02 [+]	SEAT, damper spring	1
23	37896-02 [+]	PRESSURE PLATE	1
24	37897-02 [+]	FRICTION PLATE, narrow	1
25	37898-02 [+]	CLUTCH HUB	1
26	37899-02A [+]	CLUTCH SHELL & SPROCKET, w/ 9214	1
27	37908-90 [+]	RETAINING RING	1
28	37909-90 [+]	RETAINING RING	1
29	37911-90 [+]	FRICTION PLATE, paper	7
30	37913-90 [+]	STEEL PLATE	7

CLUTCH





www.drivebike.ru

 The administration is not responsible for the completeness and accuracy of this information.

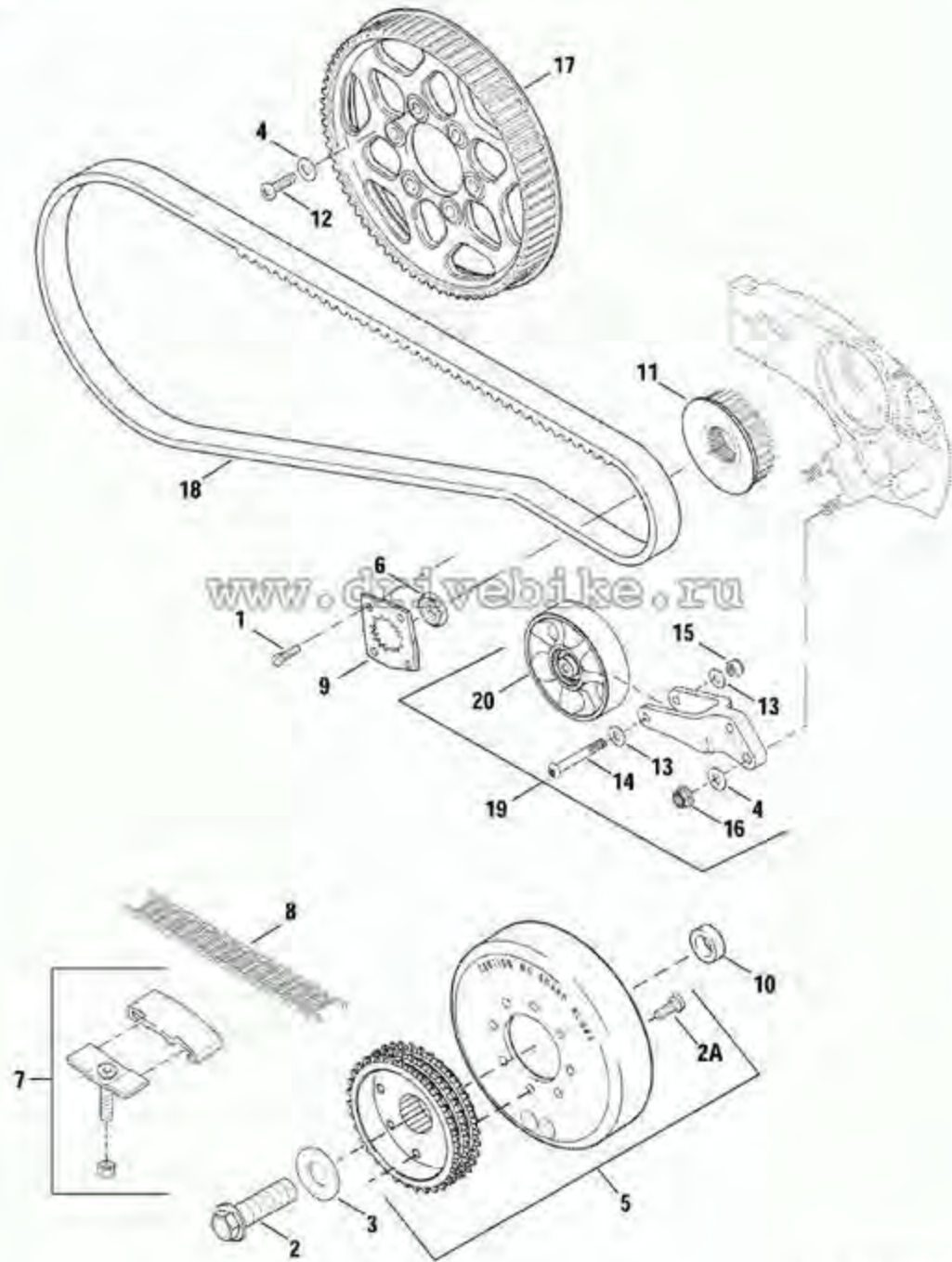
No.	Catalog	Title / Description	No.
1	1753 [H]	SCREW, No. 1/4-20 X 3,0 hex socket	4
2	7916A [H]	JAM NUT, 5/8-18	1
3	11317 [H]	KEY, square	1
4	24047-00 [H]	PINION GEAR	1
5	25188-08 [H]	K CAM GEAR SET, w / pinion gear	1
6	25353-00YB [H]	GASKET, gearcase	1
7	26332-08 [H]	SPACER, oil gear	1

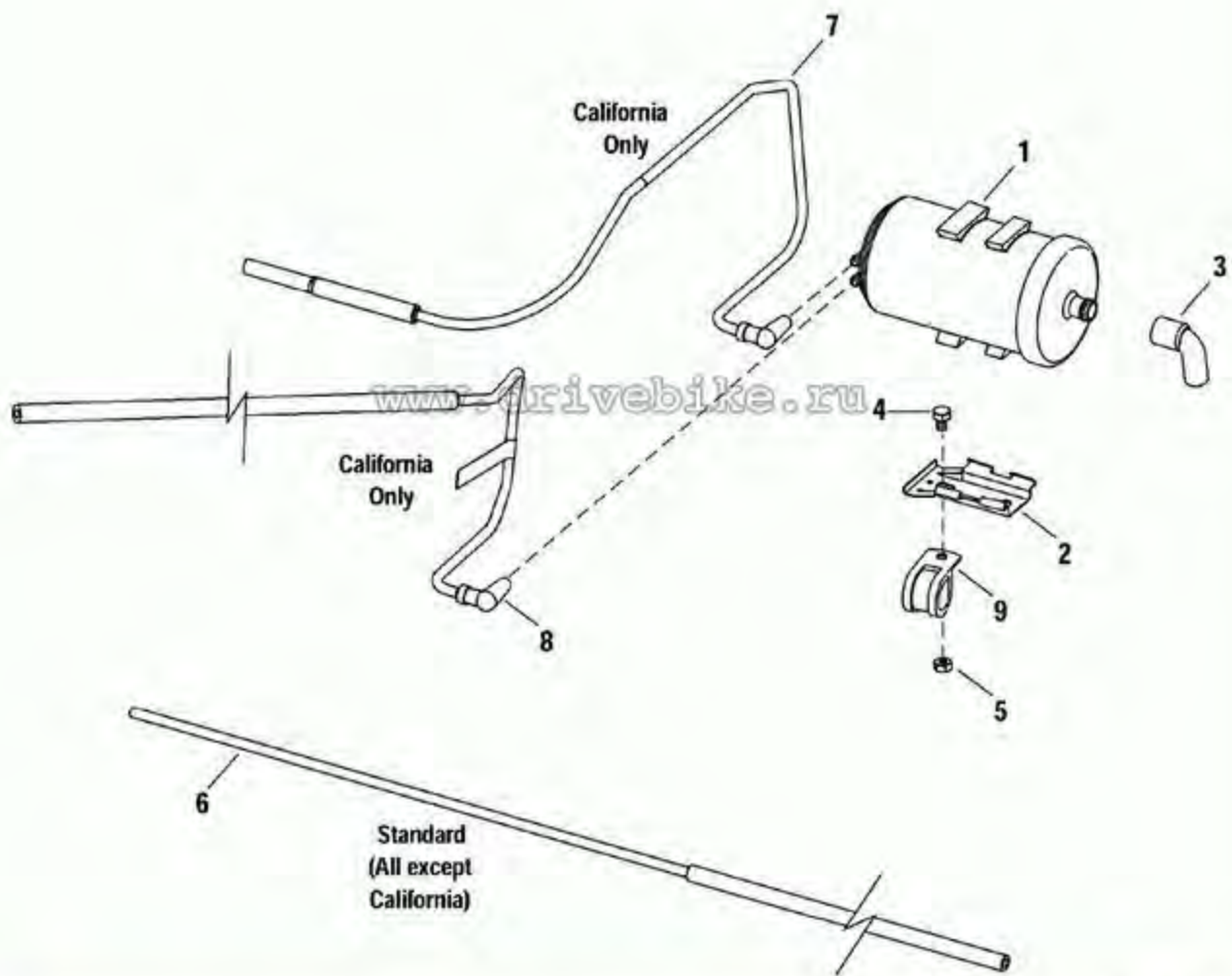


Администрация не несет ответственность за полноту и достоверность этой информации.

Номер	Номер по каталогу	Название/Описание	Кон-во
1	3594 [+]	SCREW, 1/4-20 X 5/8 knurled hd. (Grade 8)	2
2	4589 [+]	SCREW, 9/16-12 X 2-5/16 hex flange hd.	1
2A	4751 [+]	BOLT, 1/4-20 X 3/4 hex hd., w/lockpatch (Grade 8) (zinc)	8
3	6445 [+]	WASHER, 1/2 X 2 X 0.300	1
4	6400HB [+]	WASHER, 5/16 X 13/16 X 3/32	8
5	30029-08 [+]	ROTOR SPROCKET ASSEMBLY, triple row, 38T, w/ 475t	1
6	35211-91B [+]	NUT, transmission sprocket	1
7	40039-02B [+]	ADJUSTER ASSEMBLY, chain, w/ shoe, collar, plate & screw	1
8	40147-04 [+]	PRIMARY CHAIN	1
9	40251-92A [+]	LOCK PLATE	1
10	40254-02 [+]	SPACER, sprocket shaft	1
11	40288-95 [+]	SPROCKET ASSEMBLY, transmission, 27T	1
12	AA0609.11CXZB [+]	SCREW, 3/8-16 X 1-1/8 TORX truss hd., w/Scotch grip (bright zinc)	6
13	BA0511.2Z [+]	WASHER, 5/16 X 11/16 flat, hardened (zinc)	2
14	CA0020.02A8 [+]	SCREW	1
15	DA0500.2CZ [+]	LOCKNUT, 5/16-18 nylock (zinc)	1
16	DA0600.12FAZB [+]	LOCKNUT, 3/8-24 flange (Grade 5)	2
17	G0400.1AA [+]	REAR SPROCKET, 65T	1
18	G0500.1AKD [+]	DRIVE BELT	1
19	G0604.1AK [+]	IDLER PULLEY ASSEMBLY, w/ pulley wheel & bracket (2 dimples)	1
20	G0614.02A8D [+]	WHEEL, idler pulley	1

BELTS & SPROCKETS



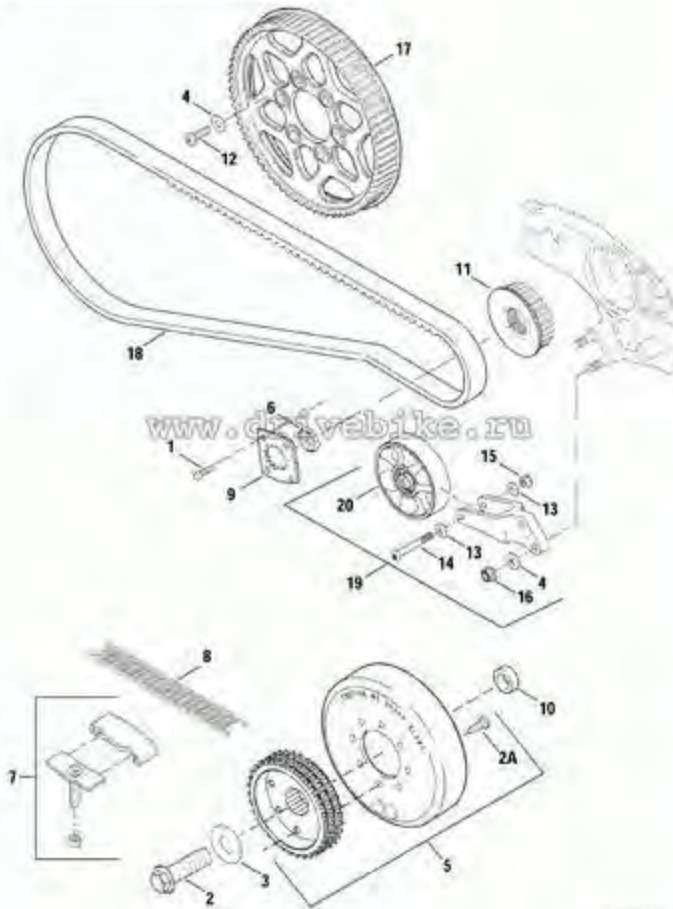


www.drivebike.ru

Администрация не несет ответственность за полноту и достоверность этой информации.

Номер	Номер по каталогу	Название/Описание	Кол-во
1	27042-84A [+]	CARBON CANISTER	1
2	27047-84B [+]	PLATE, mounting	1
3	29312-95A [+]	CONNECTOR, elbow	1
4	AA0406.21CZB [+]	SCREW, 1/4-20 X 3/4 hex flange hd. (bright zinc)	2
	BA0409.1Z [+]	WASHER, 1/4 X 9/16 standard (zinc)	2
5	DA0400.3CZ [+]	LOCKNUT, 1/4-20 staked (zinc)	2
8	HS0020.02A8B [+]	HOSE ASSEMBLY, standard (all except CALIFORNIA)	1
7	P0066.5AC [+]	HOSE ASSEMBLY, canister to fuel injection hose (CALIFORNIA ONLY)	1
8	P0067.5AC [+]	HOSE ASSEMBLY, fuel cell vent to canister (CALIFORNIA ONLY)	1
9	P0360.5AC [+]	CLAMP	2

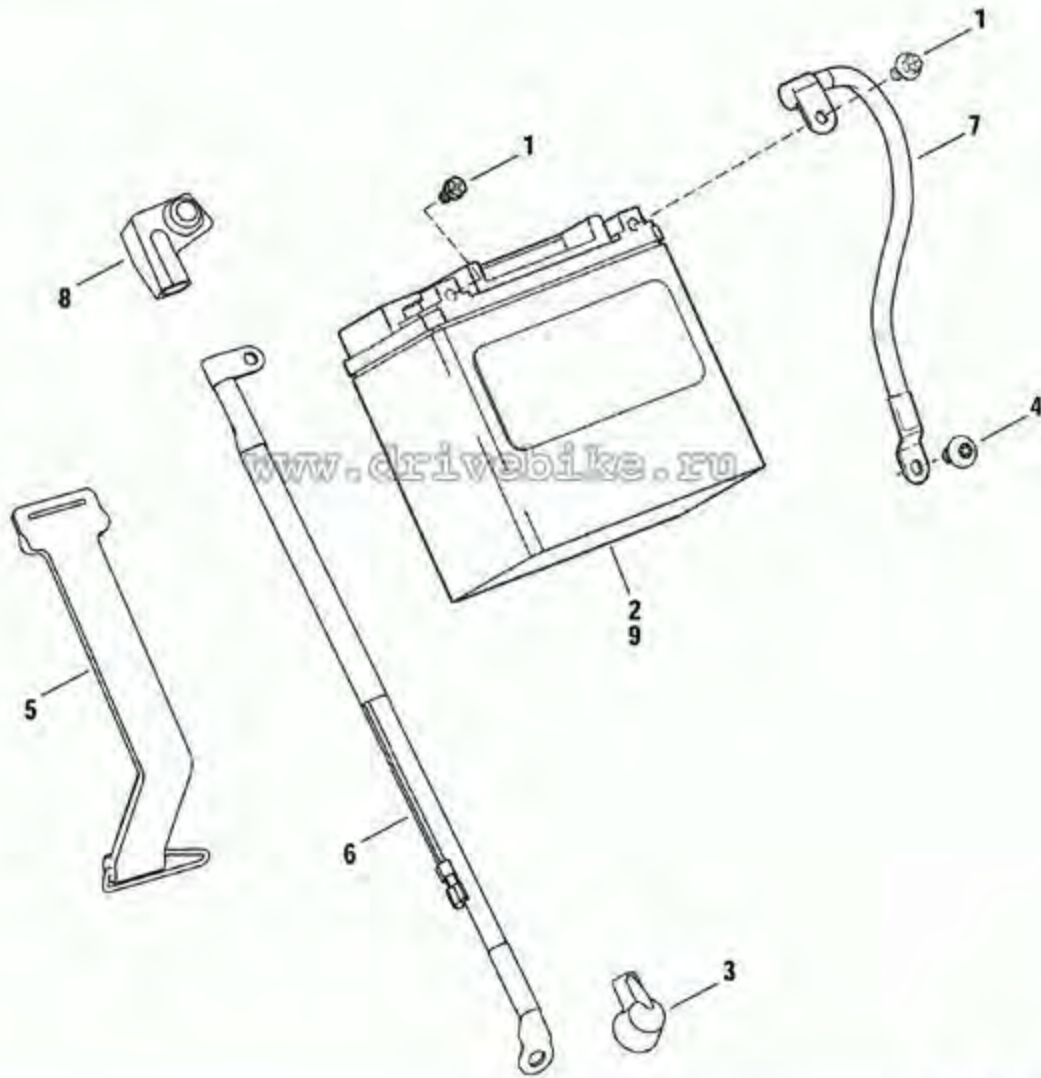
BELTS & SPROCKETS




Администрация не несет ответственности за полноту и достоверность этой информации.

Рисунг	Кодовое наименование	Наименование	Кол-во
1	3594 (H)	SCREW, 1/4-20 X 5.5 knurled hd. (Grade 5)	2
2	4559 (H)	SCREW, 2/16-12 X 2.5/16 hex flange hd.	1
2A	4751 (H)	BOLT, 1/4-20 X 0.4 hex hd., w/lockwash (Grade 5) (zinc)	5
3	5445 (H)	WASHER, 1/2 X 2 X 0.200	1
4	5400H2 (H)	WASHER, 5/16 X 13/16 X 0.22	5
5	30028-05 (H)	ROTOR SPROCKET ASSEMBLY, triple row, 25T, w/ 4751	1
6	33211-010 (H)	NUT, transmission sprocket	1
7	40029-020 (H)	ADJUSTER ASSEMBLY, chain w/ stop, color plate & screw	1
8	40141-04 (H)	PRIMARY CHAIN	1
9	40211-02A (H)	LOCK PLATE	1
10	40254-02 (H)	SPACER, sprocket shaft	1
11	40255-02 (H)	SPROCKET ASSEMBLY, transmission, 27T	1
12	AA0029 110022 (H)	SCREW, 3/8-16 X 1 1/2 TORX (usa hd., w/Scottish grip (right, zinc)	6
13	54011 22 (H)	WASHER, 5/16 X 1 1/8 (al., hardened (zinc)	2
14	CA0020 02A5 (H)	SCREW	1
15	CA0020 02C (H)	LOCKNUT, 5/16-18 n/lock (zinc)	1
16	CA0020 12FA22 (H)	LOCKNUT, 3/8-24 flange (Grade 5)	2
17	G0400 1A8 (H)	REAR SPROCKET, 55T	1
18	G0500 1A10 (H)	DRIVE BELT	1
19	G0604 1A1 (H)	IDLER PULLEY ASSEMBLY, w/ pulley, chain & track, (2 simplex)	1
20	G0614 02A80 (H)	WHEEL, idle pulley	1

BATTERY

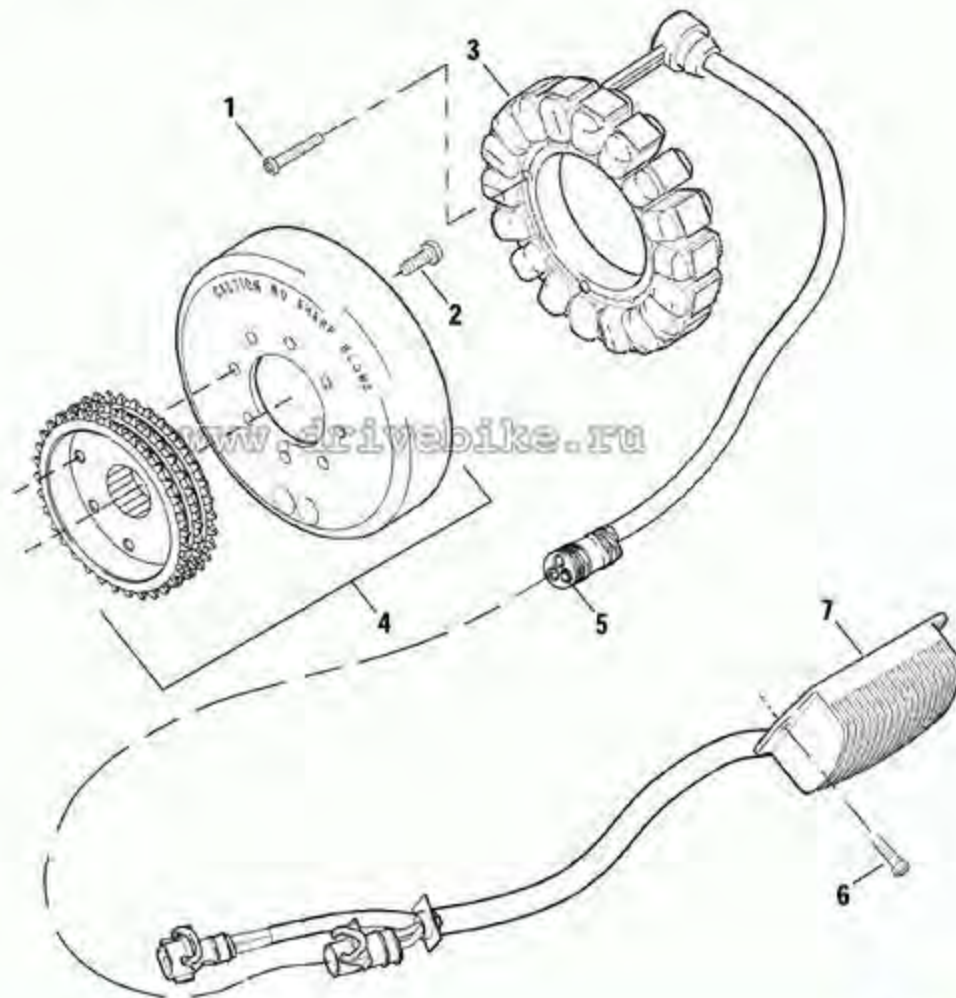


www.drivebike.ru


 The administration is not responsible for the completeness and accuracy of this information

No	Catalog	Title / Description	No.
1	4312B [+]	SCREW, M6 X 1.0 X 14mm SEMS flange no. (Stainless)	2
2	66948-00 [+]	BATTERY, w / 4312B (AUSTRALIA, CANADA, DOMESTIC, ENGLAND, EUROPE)	1
3	70578-89 [+]	BOOT, starter	1
4	AA0404 11CXZB [+]	SCREW, 1/4-20 X 1/2 TORX truss hd., W / Scotch grip (brigt zinc)	1
5	Y0103 02A8 [+]	STRAP, battery (rubber)	1
6	Y0317 3AK [+]	CABLE, positive, w / 70578-89 & Y0380 4AC	1
7	Y0321 02A8 [+]	CABLE, negative	1
8	Y0380 4AC [-]	BOOT, battery terminal	1
9	Y0024 02A8 [+]	BATTERY, w / 4312B & label (JAPAN) - INTERNATIONAL MODELS ONLY	1

ALTERNATOR & REGULATOR



www.drivebike.ru

 The administration is not responsible for the completeness and accuracy of this information.

No.	Catalog	Title / Description	Qty.
1	3029 [-]	SCREW, No. 10-24 X 1 TORX hd., W/ adhesive	4
2	4751 [-]	BOLT, 1/4-20 X 3/4 hex hd., W/ lockpatch (Grade 8) (zinc)	8
3	29971-08 [+]	STATOR ASSEMBLY, single phase 30 AMP	1
4	30029-08 [+]	ROTOR SPROCKET ASSEMBLY, 38T, W/ 4751	1
5	72195-94 [+]	SEAL PIN, 4-way receptacle	1
6	AN1004.20Z [-]	SCREW, No. 10-24 X 1/2 socket hd.	3
	Y0126.02A8 [-]	TERMINAL & SEAL SET, voltage regulator	1
7	Y0302.5A8 [-]	VOLTAGE REGULATOR	1

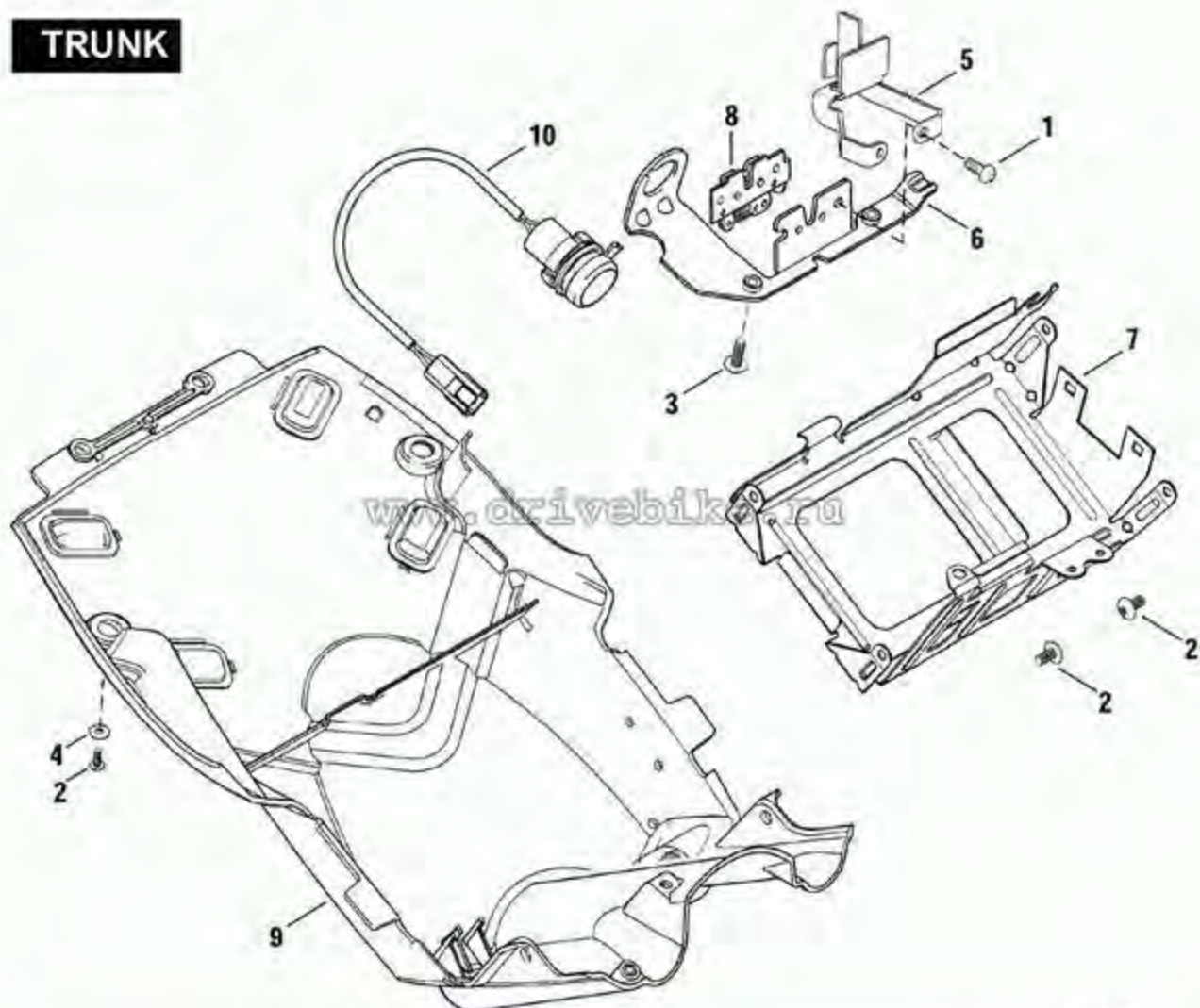


www.drivebike.ru

Администрация не несет ответственность за полноту и достоверность этой информации.


Номер	Номер по каталогу	Название/Описание	Кол-во
1	AN1010.11FZB [-]	SCREW, No. 10-32 X 1-1/4 TORX truss hd. (bright zinc)	3
2	CA0012.02A8 [-]	SCREW, shoulder	4
3	HS0014.02A8 [-]	SLEEVE	1
4	HS0016.02A8 [-]	BREATHER HOSE, front, w/ HS0014.02A8	1
5	HS0455.02A8 [-]	BREATHER HOSE, rear	1
	P0138.K [-]	SENSOR, air intake (not illustrated - see Switches, Connectors, Sensors & Miscellaneous)	1
6	P0139.K [-]	GROMMET	1
7	P0144.02A8 [-]	SEAL, air cleaner	1
8	P0213.02A8 [-]	FILTER ELEMENT	1
9	P0215.3AA [-]	COVER, air cleaner	1
10	P1700.1AK [-]	BASEPLATE ASSEMBLY, w/ P0144.02A8	1
11	S0137.1AA [-]	CABLE, interactive exhaust	1
12	S0138.2AAA [-]	ACTUATOR, interactive exhaust	1
13	Y0206.1AAA [-]	HARNES, interactive exhaust	1
14	P1701.3AC [-]	BASEPLATE ASSEMBLY, w/ P0144.02A8 (Japan) - INTERNATIONAL MODELS ONLY	1

TRUNK



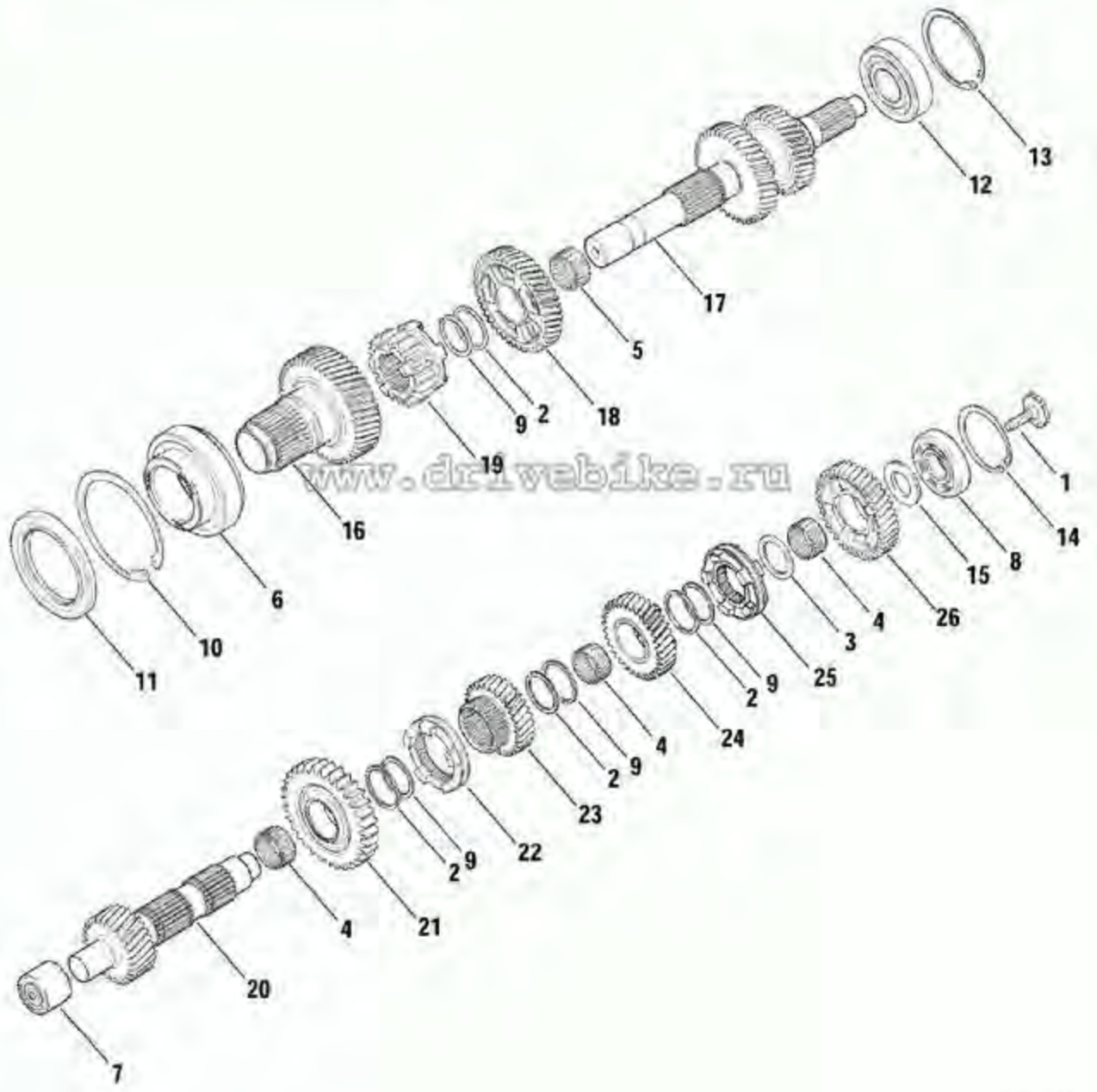
Администрация не несет ответственность за полноту и достоверность этой информации.


Номер	Номер детали/каталог	Название/Описание	Кол-во
	A06012.3CVB [H]	SCREW, M6 X 1 X 12 button hd. allen (black olive)	4
1	A06020.20CVB [H]	BOLT, M6 X 1 X 20 socket hd. (black olive)	2
2	AA0404.11CXZB [H]	SCREW, 1/4-20 X 1/2 TORX truss hd. w/Scootch grip (bright zinc)	5
3	AA0408.11CXZB [H]	SCREW, 1/4-20 X 1 truss torx w/Scootch grip (bright zinc)	2
4	BA0412.1Z [H]	WASHER, 1/4 X 3/4 (bright zinc)	1
5	L0056.2AK [H]	BRACKET, bank angle sensor	2
6	L0075.1AK [H]	BRACKET, seat latch	1
7	L0076.1AKA [H]	BATTERY PAN	1
8	M0069.02A8 [H]	LATCH, seat	1
9	M0075.1AK [H]	TRUNK PAN	1
	N1027.1AK [H]	LOCK, helmet w/ key (not illustrated)	1
10	Y0198.1AK [H]	SOCKET, auxiliary power outlet	1

 Администрация не несет ответственность за полноту и достоверность этой информации.

Номер	Номер по каталогу	Название/Описание	Кол-во
1	3990 [+]	SCREW	1
2	6003 [+]	WASHER, 1-3/16 X 1-3/8 X 11/16	4
3	6021 [+]	SPACER	1
4	8862 [+]	BEARING	3
5	8884 [+]	BEARING	1
6	8964 [+]	BEARING, ball	1
7	8968 [+]	BEARING, closed end	1
8	8970 [+]	BEARING, ball	1
9	11067 [+]	RETAINING RING	4
10	11161 [+]	RETAINING RING	1
11	12074 [+]	OIL SEAL	1
12	35030-89 [+]	BEARING, mainshaft	1
13	35036-89A [+]	RETAINING RING	1
14	35087-99 [+]	RETAINING RING	1
15	35107-06 [+]	SPACER	1
16	35169-06 [+]	GEAR, fifth-mainshaft	1
	10984 [+]	RING, snap (not illustrated)	1
	11113 [+]	O-RING (not illustrated)	1
	12030 [+]	SEAL (not illustrated)	1
	35051-89A [+]	BEARING, needle (not illustrated)	2
17	35163-06 [+]	GEAR, mainshaft	1
18	35165-06 [+]	GEAR, fourth-mainshaft	1
19	35167-06 [+]	GEAR, first-mainshaft	1
20	35172-06 [+]	GEAR, countershaft	1
21	35174-06 [+]	GEAR, first-countershaft	1
22	35190-06 [+]	RING, dog	1
23	35191-06 [+]	GEAR, fourth-countershaft	1
24	35193-06 [+]	GEAR, third-countershaft	1
25	35196-06 [+]	RING, dog	1
26	35197-06 [+]	GEAR, second-countershaft	1

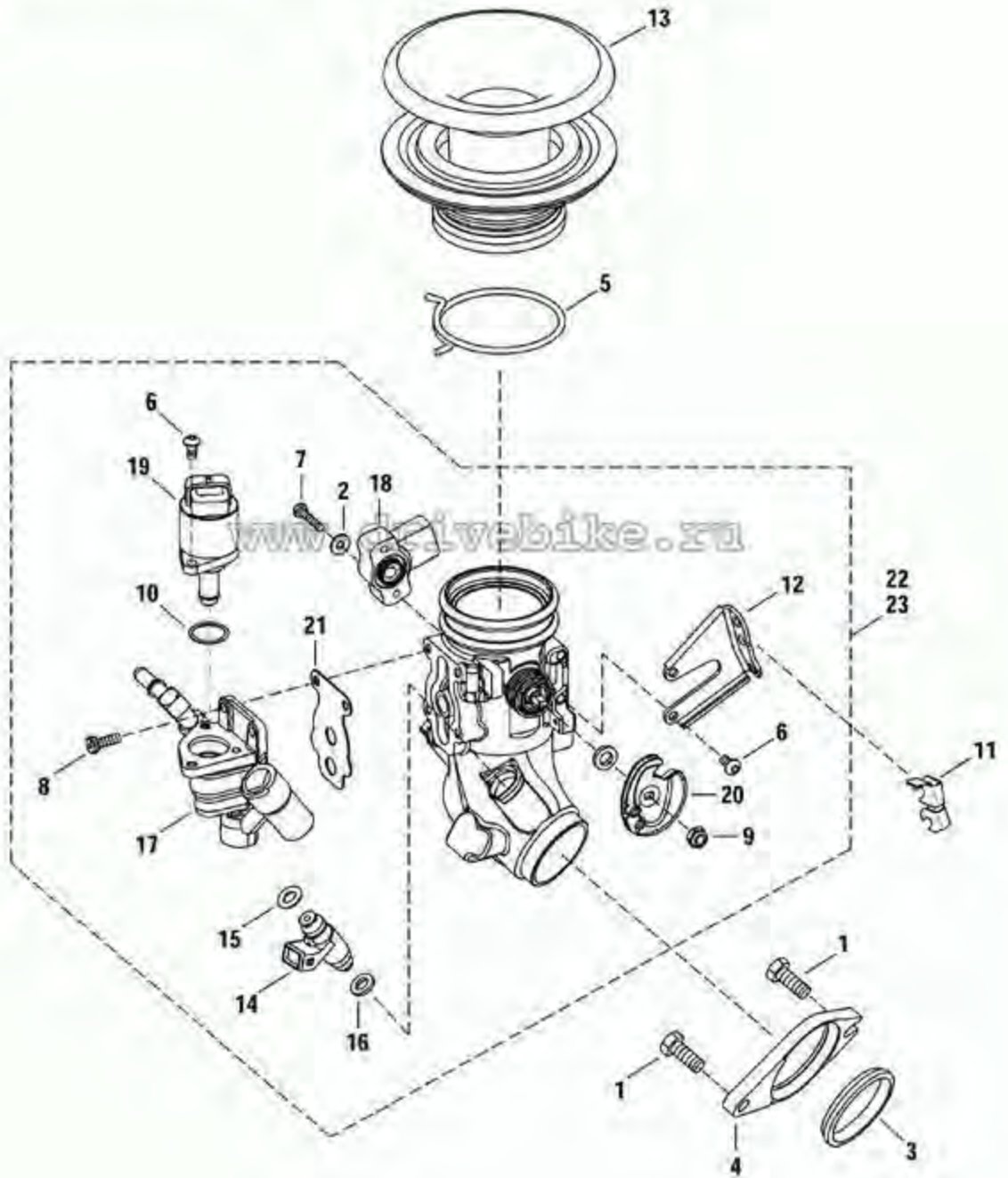
TRANSMISSION GEARS



 Администрация не несет ответственность за полноту и достоверность этой информации.

Номер	Номер по каталогу	Название/Описание	Кол-во
1	3987 [+]	BOLT, 5/16-18 X 3/4 hex hd. (Grade 5)	4
2	8090Y [+]	WASHER, flat	2
3	28995-86B [+]	SEAL, intake manifold	2
4	27327-07 [+]	MOUNTING FLANGE, front intake	2
	70345-84 [+]	RETAINER, harness, throttle cable bracket (not illustrated)	1
5	C0054.1AA [+]	CLAMP, wire spring, 49mm	1
6	CA0026.02A8 [+]	SCREW	4
7	CA0056.5A8 [+]	SCREW	2
8	CA0057.5A8 [+]	SCREW	4
9	CD0012.02A8 [+]	NUT	1
10	CF0012.5AA [+]	O-RING	1
11	N0805.5AA [+]	CLIP, throttle cable retaining	1
12	P0023.5AA [+]	BRACKET, cable	1
13	P0025.1AAA [+]	VELOCITY STACK, 49mm	1
14	P0026.1AA [+]	FUEL INJECTOR, front	1
	P0027.1AA [+]	FUEL INJECTOR, rear	1
15	P0028.02A8 [+]	O-RING, fuel injector inlet	2
16	P0029.02A8 [+]	O-RING, fuel injector outlet	2
17	P0268.5AA [+]	FUEL RAIL	1
18	P0279.5AA [+]	SENSOR, throttle position	1
19	P0282.5AA [+]	ACTUATOR, idle air control	1
20	P0283.5AA [+]	CABLE WHEEL	1
21	P0284.5AA [+]	GASKET, idle air control	1
22	P0803.5AA [+]	THROTTLE BODY MANIFOLD, 49mm	1
23	P0815.5AA [+]	THROTTLE BODY MANIFOLD (JAPAN), 49mm - INTERNATIONAL MODELS ONLY	1

THROTTLE BODY

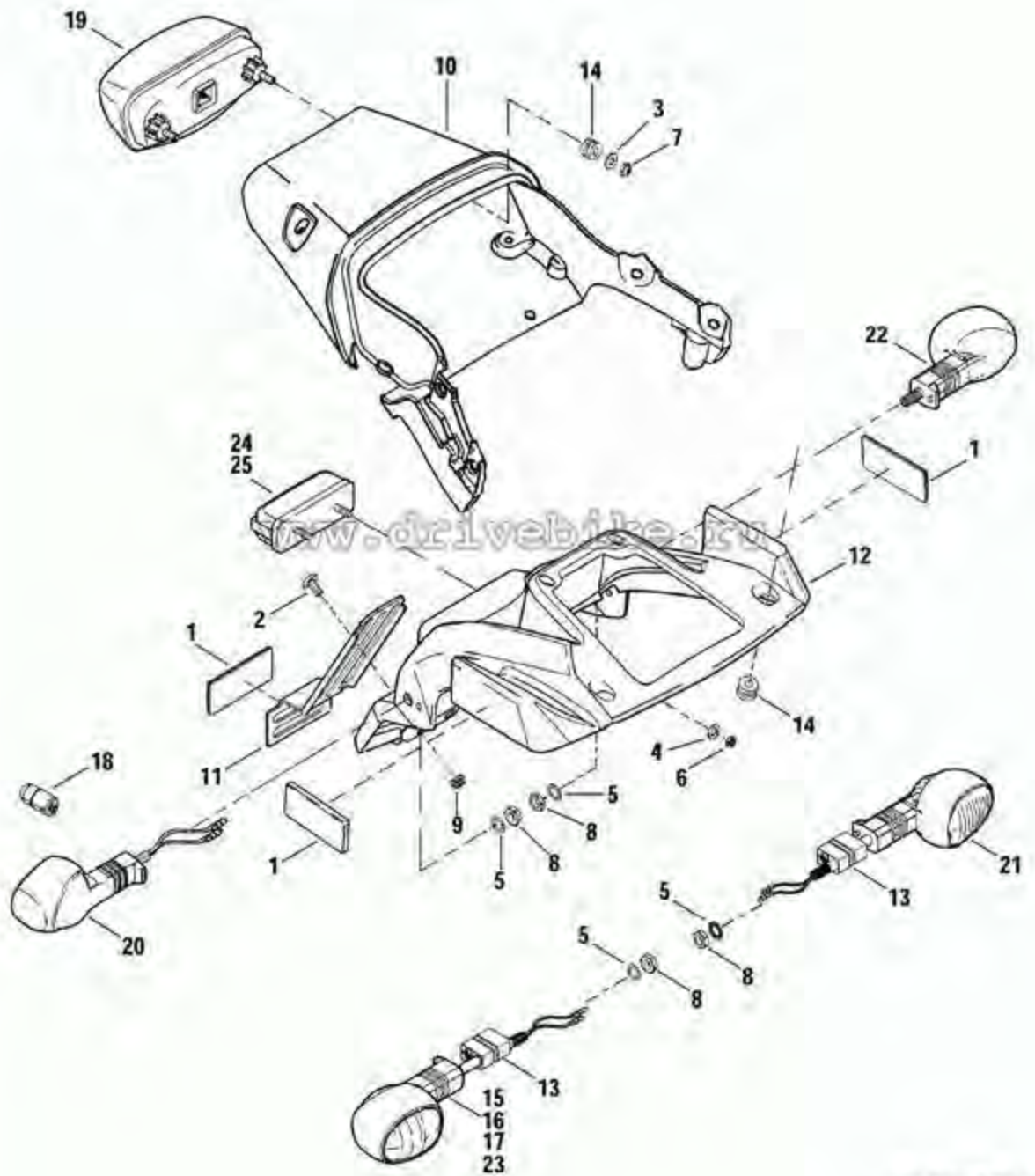





Администрация не несет ответственность за полноту и достоверность этой информации.

Номер	Номер по каталогу	Название/Описание	Кол-во
1	59259-90 [+]	REFLECTOR, red	3
2	AA0404.10CSS [+]	SCREW, 1/4-20 X 1/2 TORX button hd.(stainless)	3
3	BA0409.1Z [+]	WASHER, 1/4 X 9/16 standard (zinc)	2
4	B0810.1BL [+]	WASHER, M5 X 10 flat (black chromate)	2
5	B0814.4BL [+]	WASHER, 8mm X 14mm external star (black chromate)	4
6	D0800.1CBL [+]	JAM NUT, M5 X 10 (black chromate)	2
7	D0800.2CBL [+]	LOCKNUT, M8X1 (black)	2
8	D0800.4FBL [+]	JAM NUT, M8 X 1.025, nylock (black chromate)	4
9	DA0400.8CZ [+]	LOCKNUT, 1/4-20 thin nylock	3
10	L0046.1AKYBQ [+]	TAIL LOOP	1
11	L0541.02A8 [+]	BRACKET, rear reflector	1
12	M0755.1AK [+]	BRACKET, license plate illumination/center tail section	1
13	M0873.K [+]	STAND OFF, front left & right turn signal	2
14	M0849.01A3 [+]	GROMMET	2
15	Y0039.K [+]	LENS, outer turn signal	4
16	Y0040.K [+]	LENS, inner turn signal	4
17	Y0041.K [+]	SCREW, turn signal lens	4
18	Y0042.K [+]	BULB, turn signal	4
19	Y0401.1AKC [+]	TAIL LAMP	1
20	Y0503.02A8 [+]	turn signal, right rear, w/ Y0039.K, Y0040.K, Y0041.K & Y0042.K	1
21	Y0503.K [+]	turn signal, left front, w/ Y0039.K, Y0040.K, Y0041.K & Y0042.K	1
22	Y0504.02A8 [+]	turn signal, left rear, w/ Y0039.K, Y0040.K, Y0041.K & Y0042.K	1
23	Y0504.K [+]	turn signal, right front, w/ Y0039.K, Y0040.K, Y0041.K & Y0042.K	1
24	Y0514.CA [+]	LAMP, license plate illumination, w/ 53438-97	1
25	53438-97 [+]	BULB, license plate illumination lamp	1
26	59258-84A [+]	REFLECTOR, amber (JAPAN) - INTERNATIONAL MODELS ONLY	3

TAIL LAMP & TURN SIGNALS

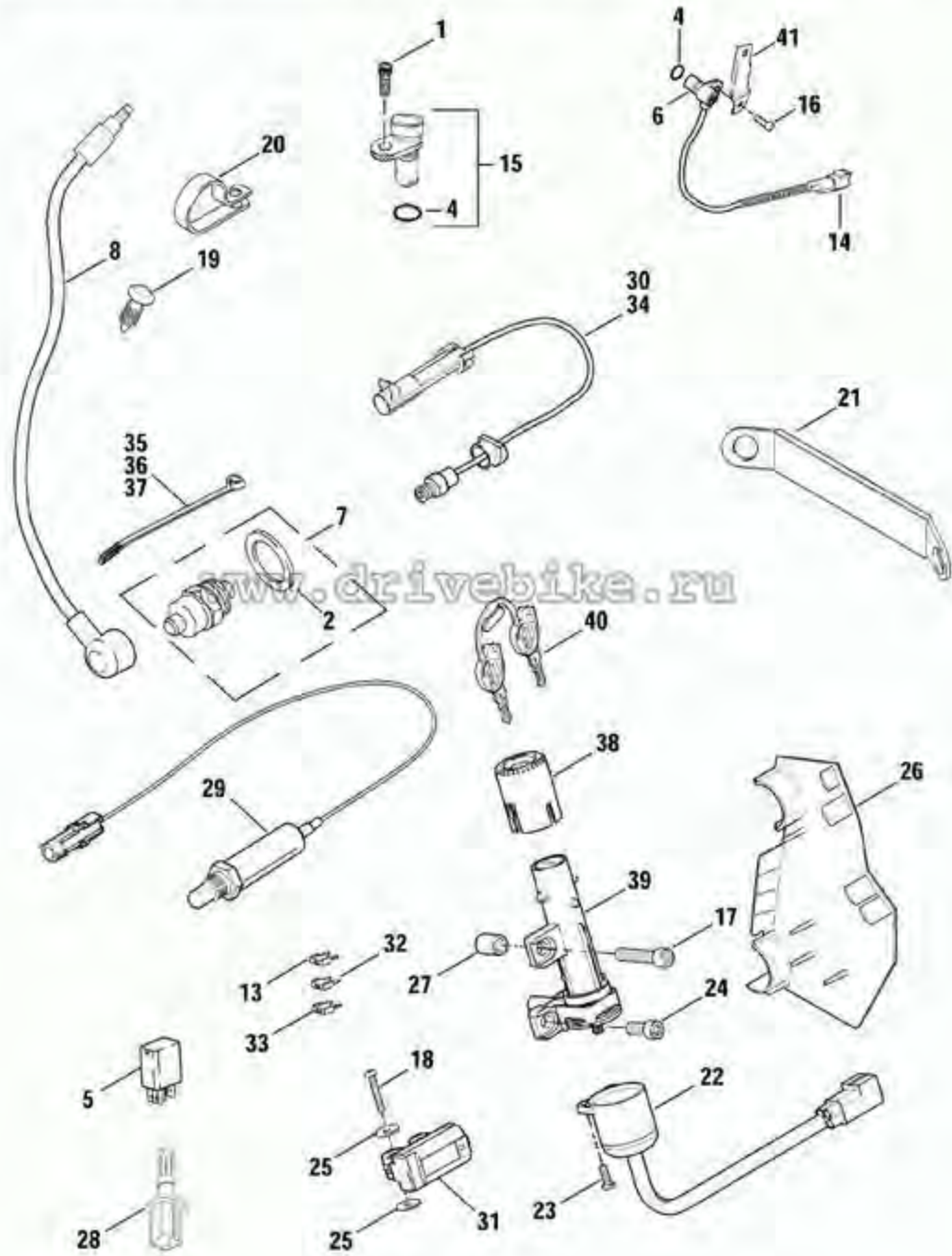


	C2039.02A8 [+]	WRENCH, allen T27 (not illustrated)	1
	C2040.02A8 [+]	WRENCH, hex, axle 7/8 in. (not illustrated)	1
	C2041.02A8A [+]	SCREW DRIVER, 2 in 1 (not illustrated)	1
	C2042.1AS [+]	WRENCH, 5/8 19mm 22mm (not illustrated)	1
	C2043.1AS [+]	WRENCH, spanner shock 21mm (not illustrated)	1
	C2044.1AK [+]	DRIVER, nut 8mm (not illustrated)	1
	C2045.1AK [+]	KEY, hex 5mm (not illustrated)	1
23	CA0007.T [+]	SCREW	2
24	CA0016.02A8 [+]	SCREW	2
25	CB0008.02A8 [+]	WASHER	4
26	M0072.02A8 [+]	WIRE GUARD, routing	1
27	N0599.02A8A [+]	SLEEVE, shifter/brake lever	1
28	P0138.K [+]	SENSOR, air intake	1
29	P0277.5AA [+]	SENSOR, oxygen	1
30	P0278.4A8 [+]	SENSOR, engine temperature	1
31	S0131.02A8 [+]	SENSOR, bank angle	1
32	Y0011.K [+]	FUSE, 15A	1
33	Y0023.1AD [+]	FUSE, 30A	1
	Y0160.3AK [+]	TOP COVER, w/ label, fuse block (not illustrated)	1
34	Y0386.5AA [+]	CONDUIT, engine temperature sensor	1
35	Y0301.CB [+]	CABLE STRAP, ignition switch (black)	1
36	Y0303.2B [+]	CABLE STRAP	26
37	Y0305.CW [+]	CABLE STRAP	1
	Y0349.02A8 [+]	CONDUIT ASSEMBLY, main harness (not illustrated)	1
38	Y0723.T [+]	HOUSING, ignition switch	1
39	Y0724.1AD [+]	IGNITION ASSEMBLY, w/ switch, body, housing, screw (s) & key set	1
40	Y0732.T [+]	KEY SET, ignition (specify four - digit key code)	1
41	Y1008.5AA [+]	BRACKET	1

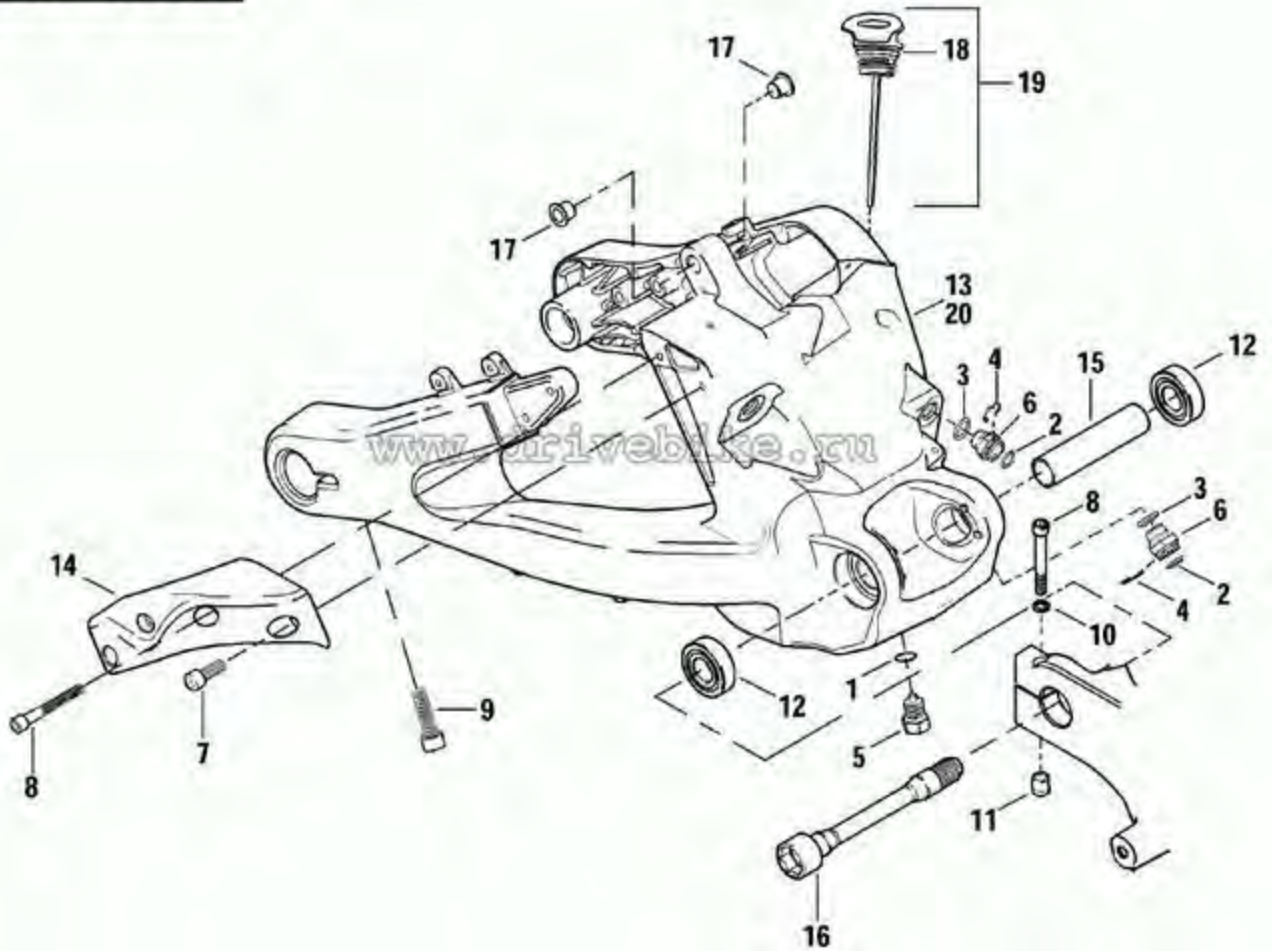
 Администрация не несет ответственность за полноту и достоверность этой информации.

Номер	Номер по каталогу	Название/Описание	Кол-во
1	3594 [+]	SCREW, 1/4-20 X 5/8 knurled hd. (Grade 8)	1
2	6288 [+]	WASHER, 17/32 X 25/32 X 1/32	1
3	11140 [+]	O-RING	1
4	11289A [+]	O-RING	1
5	31522-00B [+]	RELAY, start ignition	1
6	32850-08 [+]	SENSOR, crank position w/ 11289A, 74194-98 & connector	1
7	33900-99 [+]	SWITCH, neutral indicator, w/ 6288	1
8	70227-99 [+]	JUMPER, neutral indicator	1
9	72143-94 [+]	SECONDARY LOCK, 3-way receptacle	1
10	72163-94GY [+]	RECEPTACLE, 3-way plug	1
11	72190-94 [+]	TERMINAL, pin	3
12	72199-94 [+]	ATTACHMENT CLIP	1
13	72462-00 [+]	FUSE, 10A	5
14	74194-98 [+]	TERMINAL	2
15	74402-05 [+]	SENSOR, vehicle speed	1
16	AA0406.2CXZB [+]	SCREW, 1/4-20 X 3/4 socket hd., w/lockpatch (zinc)	1
17	AA0512.2CZB [+]	BOLT, 5/16-18 X 1-1/2 socket hd. (Grade 8)	1
	AA0522.2CZB [+]	SCREW, 5/16-18 X 2-3/4 socket hd. (bright zinc)	1
	AA0636.2CZ [+]	SCREW, 3/8-16 X 4-1/2 socket hd. (zinc)	1
18	AN0808.3CZB [+]	SCREW, No. 8-32 X 1 button hd. (bright zinc)	2
19	C0033.02A8 [+]	FASTENERS, tree, plastic (black)	7
20	C0037.02A8 [+]	STRAP, rear wire harness mount	1
21	C0045.02A8 [+]	STRAP, rear wire harness mount	1
	C0123.1AA [+]	CABLE, security (not illustrated)	1
22	C0152.1AD [+]	BODY, electrical, ignition switch	1
	C0290.2AK [+]	COMPLETE VEHICLE LOCK SET, w/ seat, ignition, fuel cap & key set (CANADA, CALIFORNIA, DOMESTIC, ENGLAND, EUROPE, JAPAN) (not illustrated)	1
	C2000.1AK [+]	POUCH, tool kit (not illustrated)	1
	C2024.1AS [+]	TOOL KIT, w/ C0123.1AA, C2000.1AK, C2039.02A8, C2040.02A8, C2041.02A8&A, C2042.1AS, C2043.1AS, C2044.1AK & C2045.1AK (not illustrated)	1

SWITCHES, SENSORS & ELECTRICAL CONNECTORS



SWINGARM

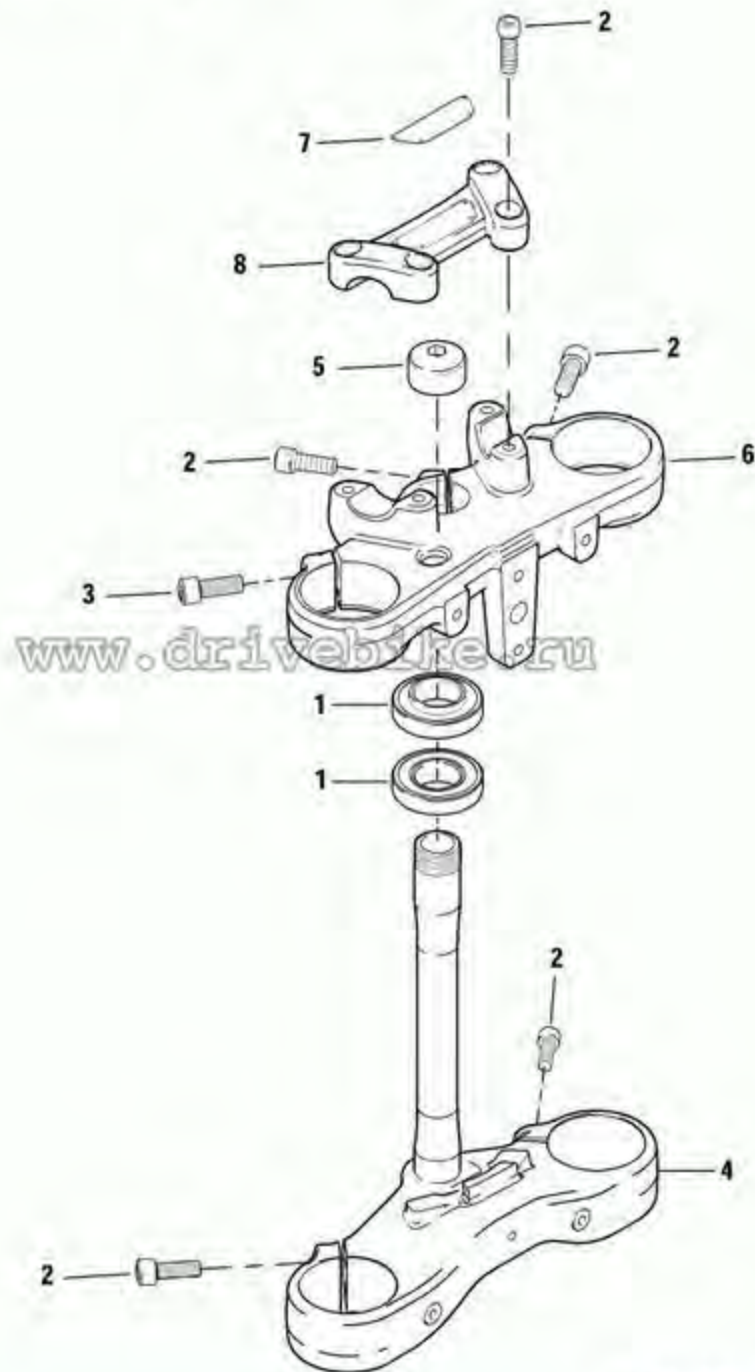


www.drivebike.ru


Администрация не несет ответственность за полноту и достоверность этой информации.

Номер	Номер по каталогу	Название/Описание	Кол-во
1	11105 [H]	O-RING, oil drain plug	1
2	11110 [H]	O-RING	1
3	11290 [H]	O-RING	1
4	11408 [H]	RETAINER, wire clip	1
5	60328-98A [H]	PLUG, oil drain	1
6	63579-06 [H]	FITTING	1
7	AA0508.2CZB [H]	BOLT, 5/16-18 1 socket hd. (bright zinc)	3
8	AA0520.2CXZB [H]	SCREW, 5/16-18 X 2-1/2 socket hd. ,w/Scootch grip (bright zinc)	1
9	AA0712.2CZB [H]	SCREW, 7/16-14 X 1-1/2 socket hd. (bright zinc)	1
10	CB0002.9A7 [H]	WASHER, pinch bolt	1
11	CD0002.T [H]	NUT	1
12	E0008.02A8 [H]	BEARING, swingarm	2
13	K0003.1AKYBP [H]	SWINGARM, w/ 5, 6, 12, 15, 17, 19 & label(s) (AUSTRALIA, CANADA, DOMESTIC, ENGLAND, EUROPE) (graphite grey)	1
14	K0101.1AKYBP [H]	BRACE, swingarm (graphite grey)	1
15	K0158.1AK [H]	SPACER, swingarm bearing	1
16	K0200.1AMB [H]	SHAFT, swingarm pivot	1
17	K0403.02A8 [H]	BUSHING, rear shock	2
18	Q0109.1AK [H]	O-RING, oil filler plug	1
19	Q0127.1AK [H]	OIL FILLER PLUG ASSEMBLY, w/ Q0109.1AK	1

STEERING HEAD



www.drivebike.ru

 The administration is not responsible for the completeness and accuracy of this information.

No.	Catalog	Title / Description	No.
1	E0002.02A8A [+]	BEARING	2
2	AA0508.2CXZB [+]	SCREW, 5/16-18 X 1.0 socket hd., W / Scotch grip (bright zinc)	8
3	AA0608.2CXZB [+]	SCREW, 3/8-16 X 1.0 socket hd. (Bright zinc)	1
4	J0105.3AKYBD [+]	TRIPLE CLAMP ASSEMBLY, lower, w / stem	1
5	J0135.02A8A [+]	NUT	1
6	J0105.3AKYBD [+]	TRIPLE CLAMP, upper	1
7	M0675.5AC [+]	GRAPHIC PANEL, upper triple	1
8	N0349.1ADYBP [+]	HANDLEBAR CLAMP (designer black)	1



Администрация не несет ответственность за полноту и достоверность этой информации.

Номер	Номер по каталогу	Название/Описание	Кол-во
1	928 [+]	BOLT, M5 X 0.8 X 35,2 hex hd.	2
2	929A [+]	SCREW, M4 X 0.7 X 11,8 flange hd.	2
3	3403 [+]	LOCKNUT, M6-1,25 X 12mm flange (zinc)	1
4	3559 [+]	BOLT, through	2
5	8871 [+]	BALL BEARING	1
6	8879 [+]	BALL	1
7	8883 [+]	BALL BEARING	1
8	9077 [+]	CLUTCH ROLLER	5
9	11116 [+]	O-RING	1
10	31328-91 [+]	RING, snap	1
11	31390-91E [+]	STARTER MOTOR, complete (black)	1
12	31488-81C [+]	GASKET, starter motor	1
13	31515-90 [+]	ARMATURE ASSEMBLY	1
14	31518-90 [+]	HOLDER ASSEMBLY, starter brush	1
15	31525-90 [+]	GEAR, idler	1
16	31530-90 [+]	RETAINER, idler	1
17	31537-98 [+]	SWITCH ASSEMBLY, magnetic	1
18	31556-91B [+]	CLUTCH SUB-ASSEMBLY, w/ 31328-91 & 31390-91E	1
19	31599-91 [+]	FRAME, starter end	1
20	31600-90 [+]	SPRING, return	1
21	31603-91 [+]	STARTER SOLENOID REPAIR KIT	1
22	31681-90 [+]	SPRING, starter	4
23	31682-90 [+]	CAP TERMINAL, rubber	1
24	31688-90 [+]	COVER, solenoid	1
25	31689-90 [+]	BOLT, M4 X 0.7 X 12 hex hd.	3
26	31695-90 [+]	O-RING, yoke	2
27	45902-00 [+]	SCREW, w/ washer	2